

[54] KEY FOR DOOR LOCKS

[75] Inventor: Yukio Yamashita, Pasadena, Calif.

[73] Assignee: Masco Building Products Corp.,
Taylor, Mich.

[**] Term: 14 Years

[21] Appl. No.: 75,856

[22] Filed: Jul. 20, 1987

[52] U.S. Cl. D8/347

[58] Field of Search D8/347-348;
70/393, 395, 401-402, 405, 408, 413

[56] References Cited

U.S. PATENT DOCUMENTS

D. 235,189	5/1975	Tachi	D8/347
D. 259,994	7/1981	Salcedo	D8/348
D. 271,279	11/1983	Cziment	D8/347
4,616,491	10/1986	Genest	70/413 X

OTHER PUBLICATIONS

Ilco Catalogue #60R (1984) p. 114, Repli-Key Key Blank for E8 Yale.

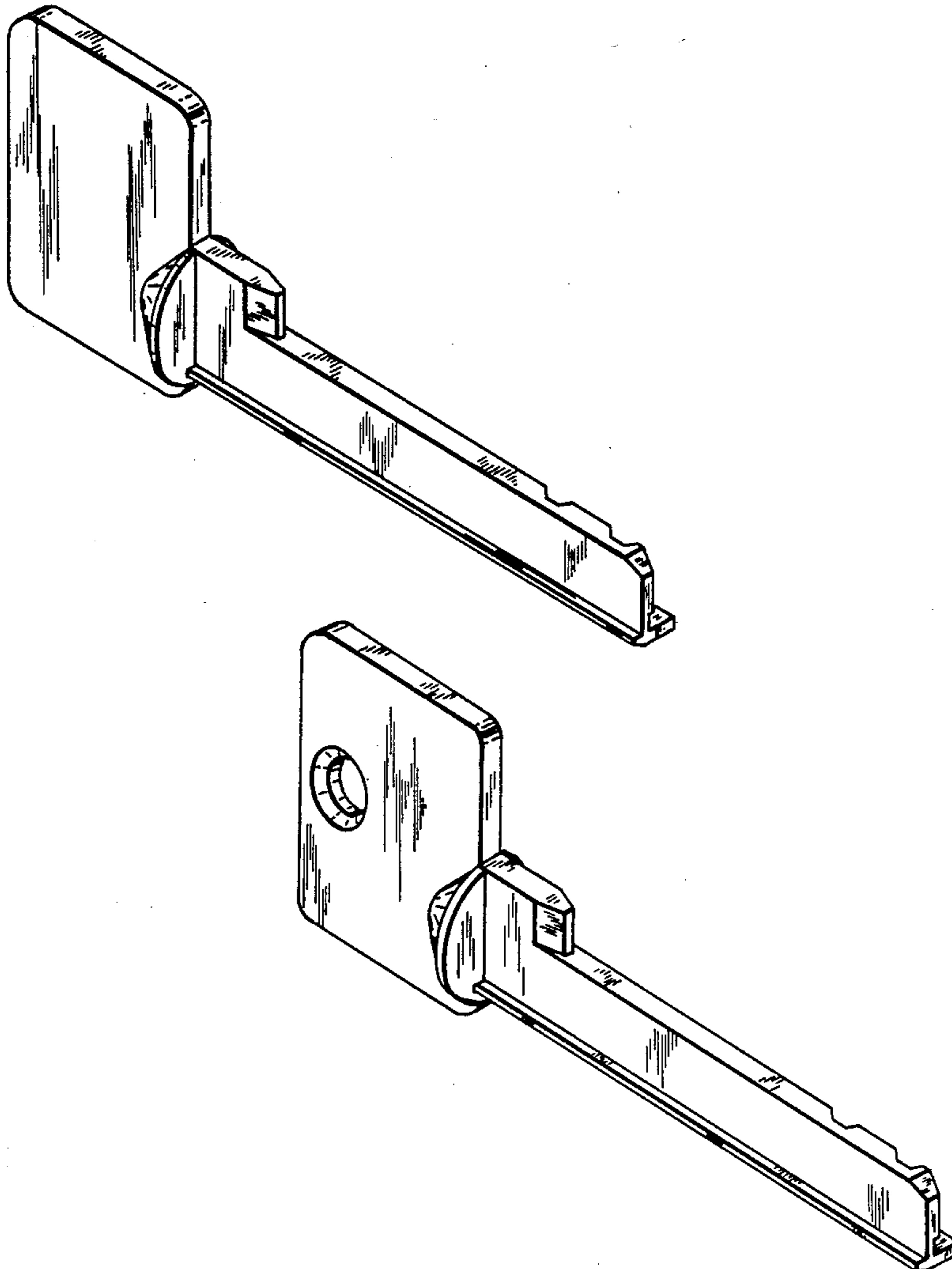
Primary Examiner—Wallace R. Burke
Assistant Examiner—Brian N. Vinson
Attorney, Agent, or Firm—Leon E. Redman; Malcolm L. Sutherland

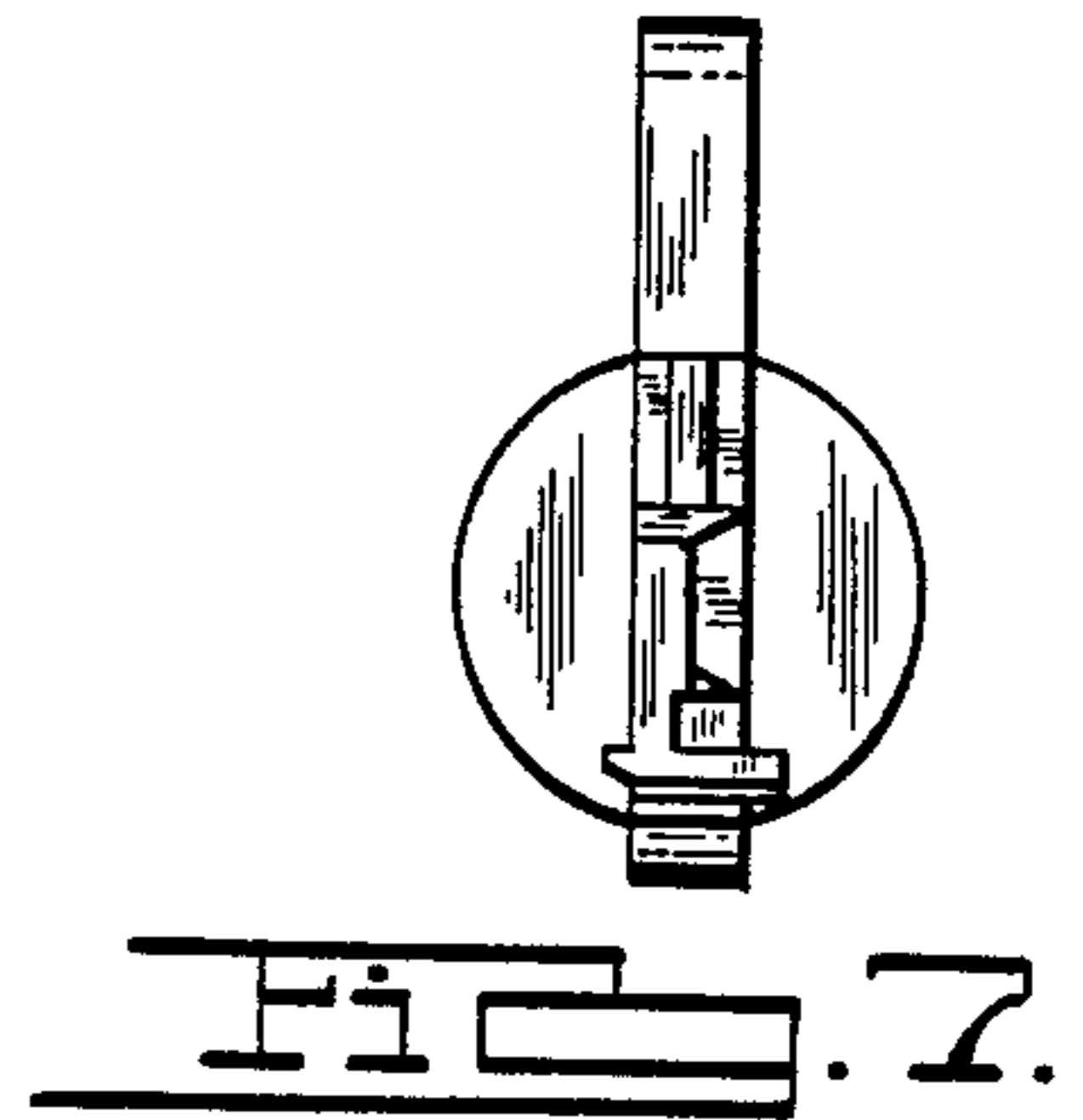
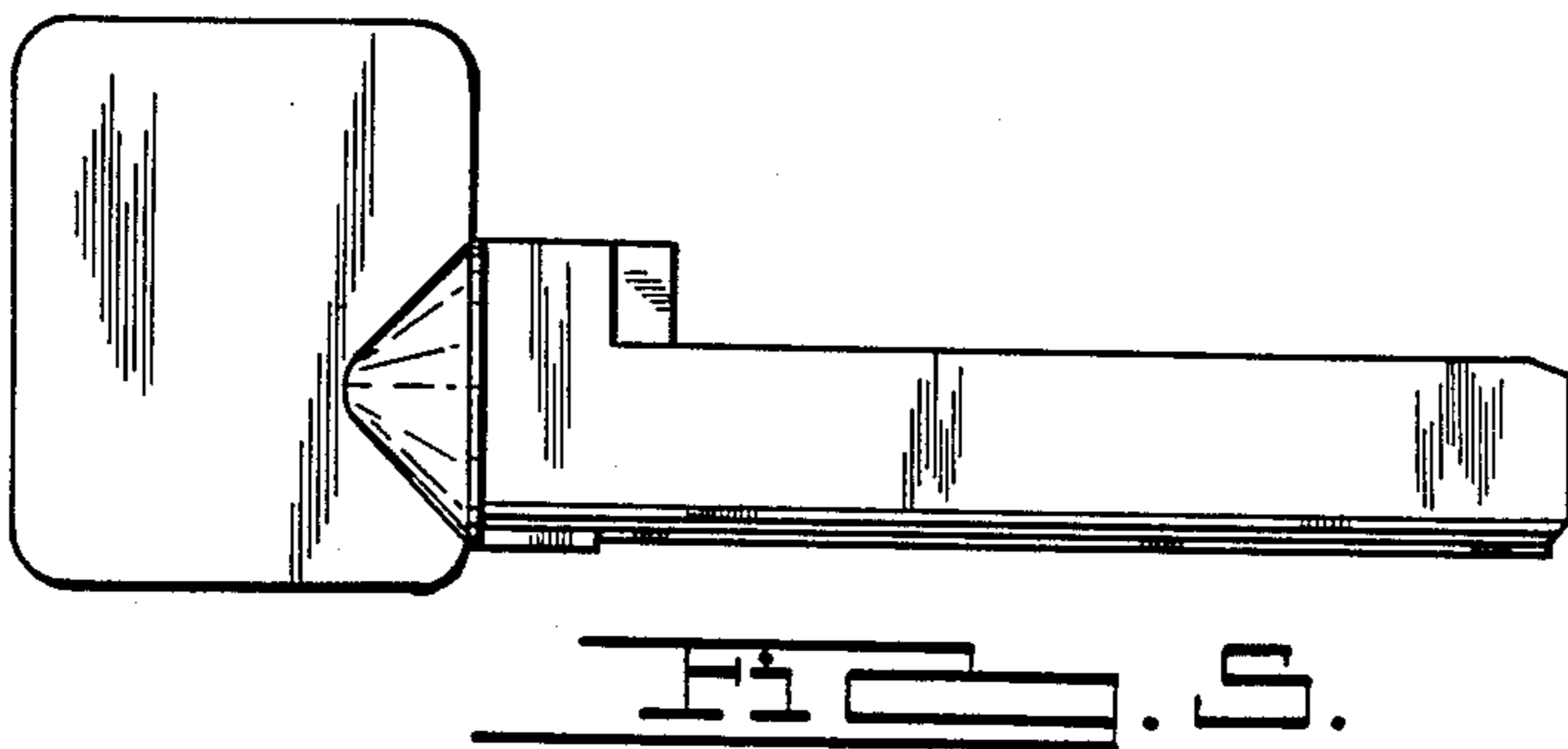
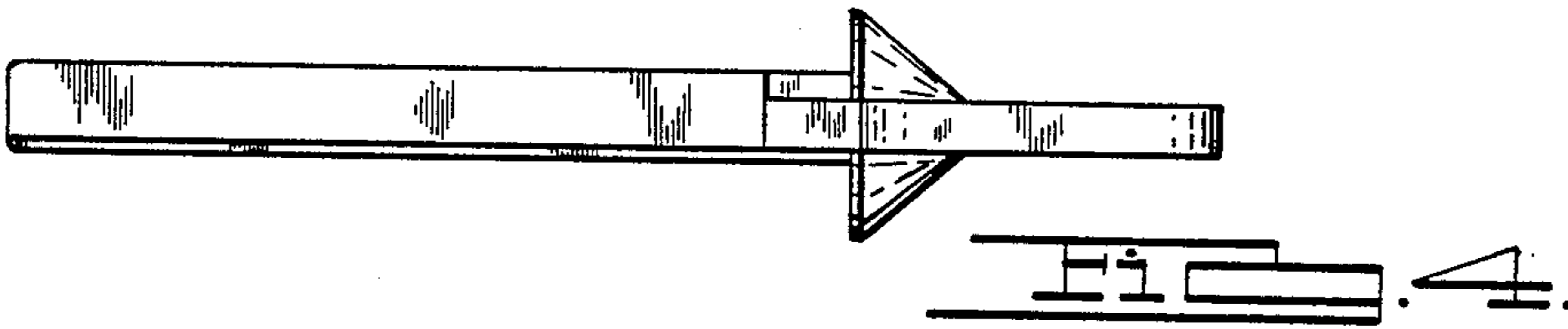
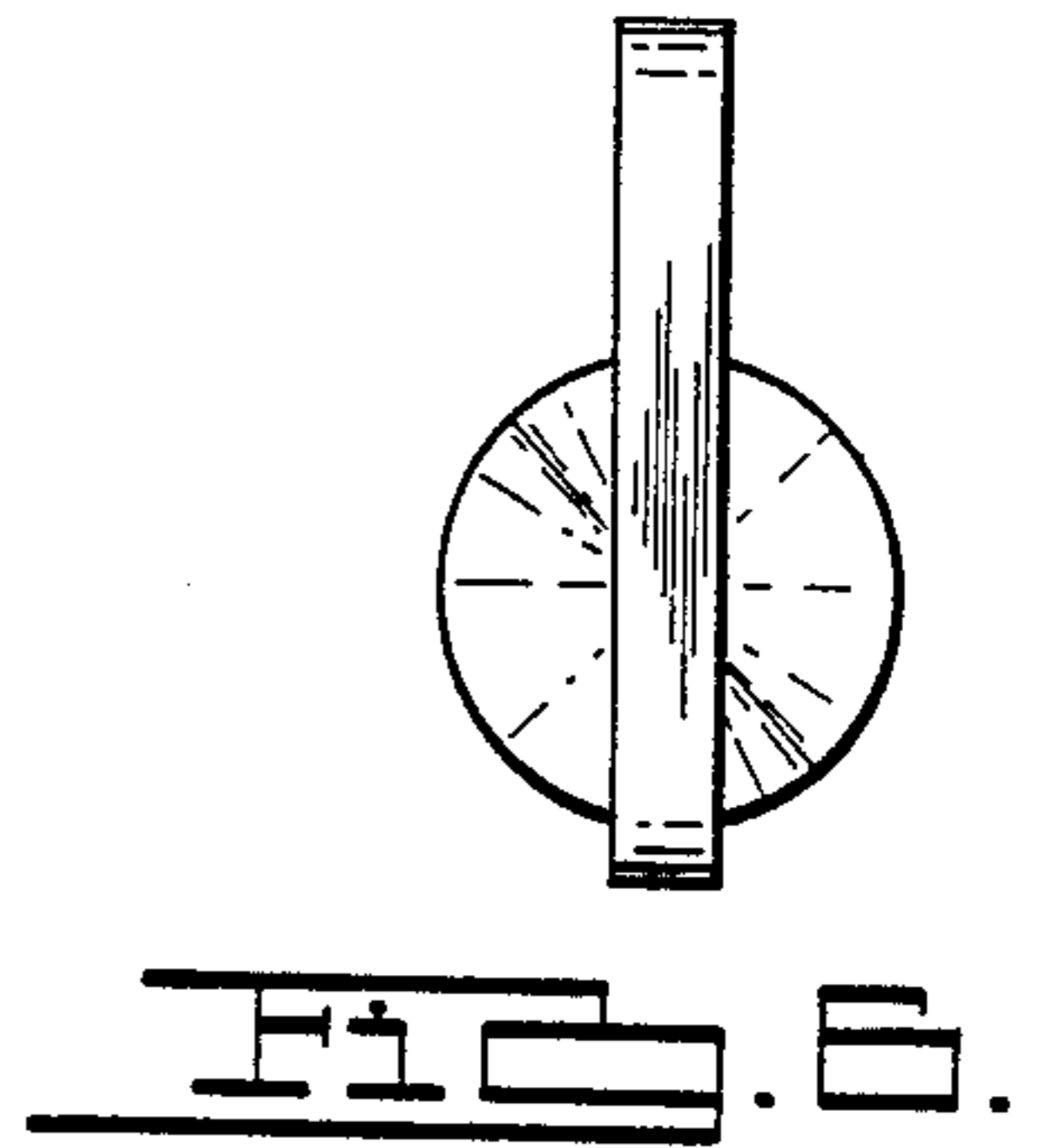
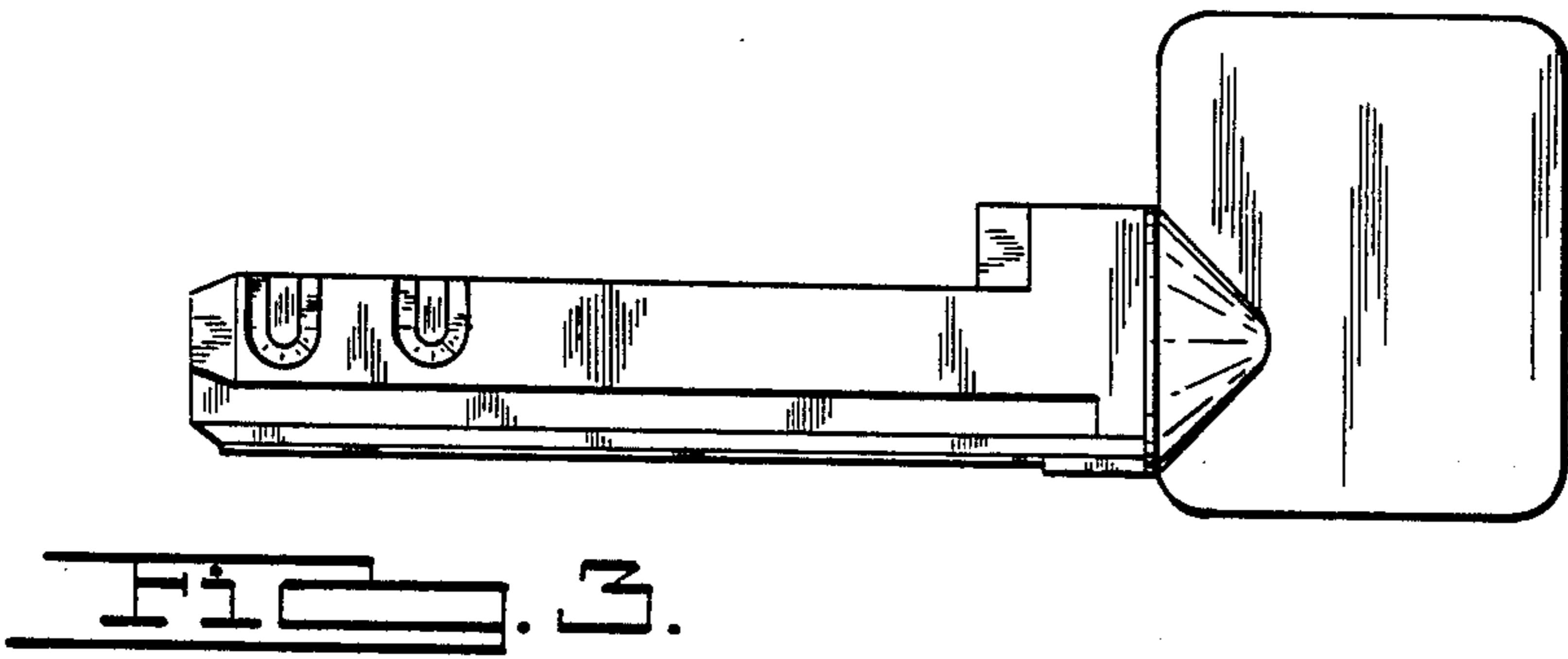
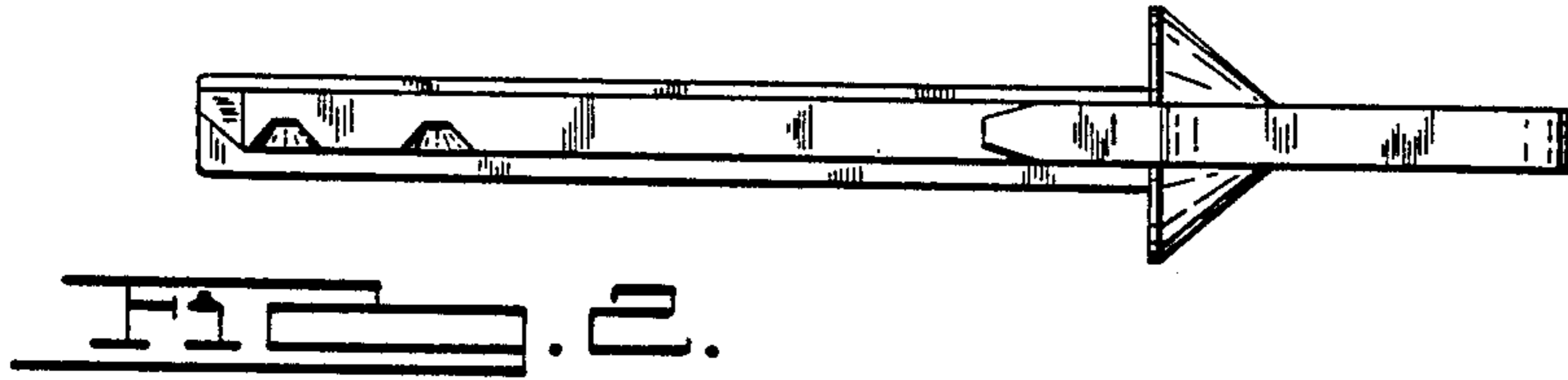
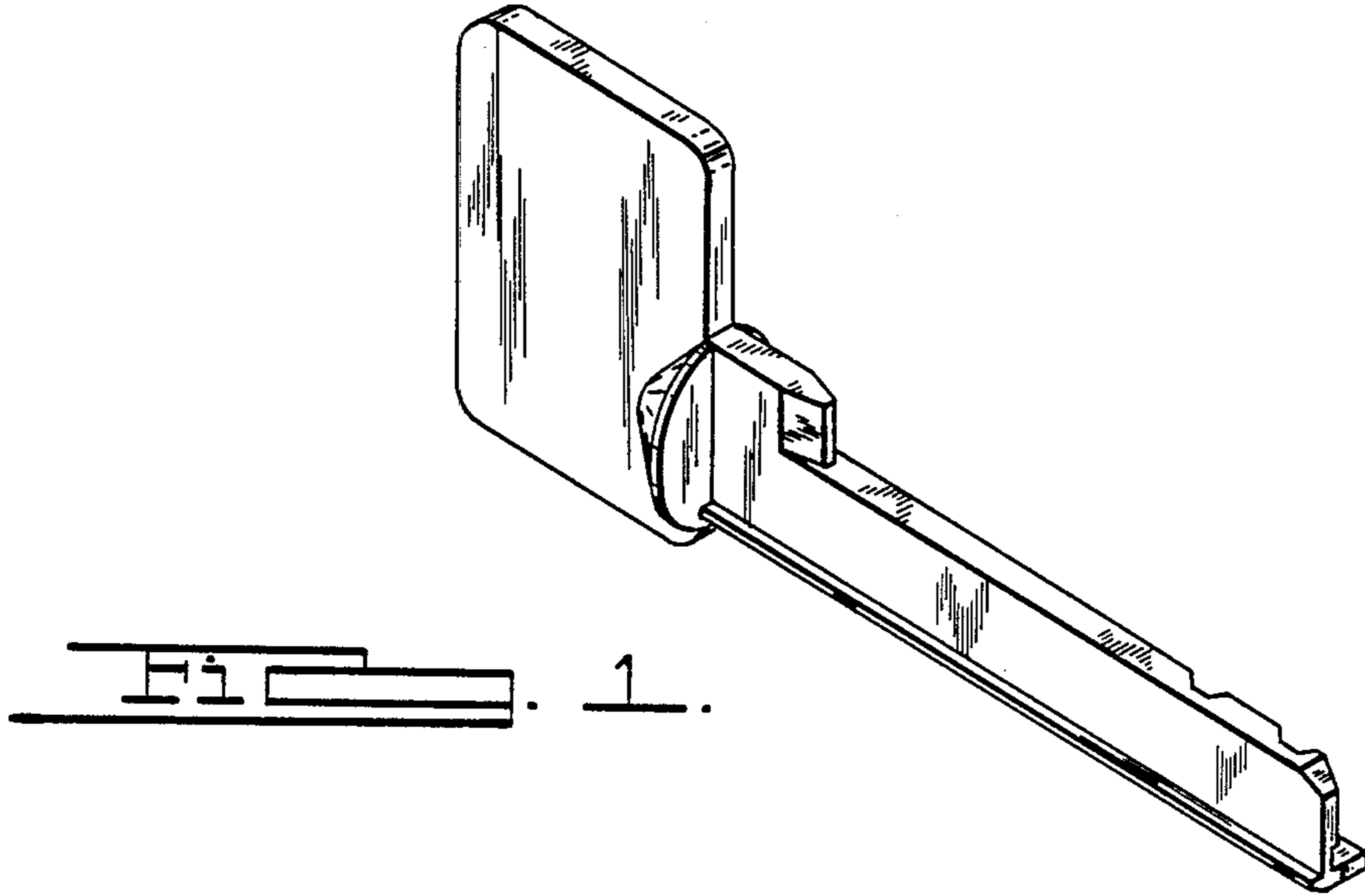
[57] CLAIM

The ornamental design for a key for door locks, as shown and described.

DESCRIPTION

FIG. 1 is a perspective view of a key for door locks showing my new design;
FIG. 2 is a top plan view thereof;
FIG. 3 is a left side elevational view thereof;
FIG. 4 is a bottom plan view thereof;
FIG. 5 is a right side elevational view thereof;
FIG. 6 is a front elevational view thereof;
FIG. 7 is a rear elevational view thereof;
FIG. 8 is a side perspective view of a key for door locks showing an alternate embodiment of my new design;
FIG. 9 is a left side elevational view thereof; and
FIG. 10 is a right side elevational view thereof.





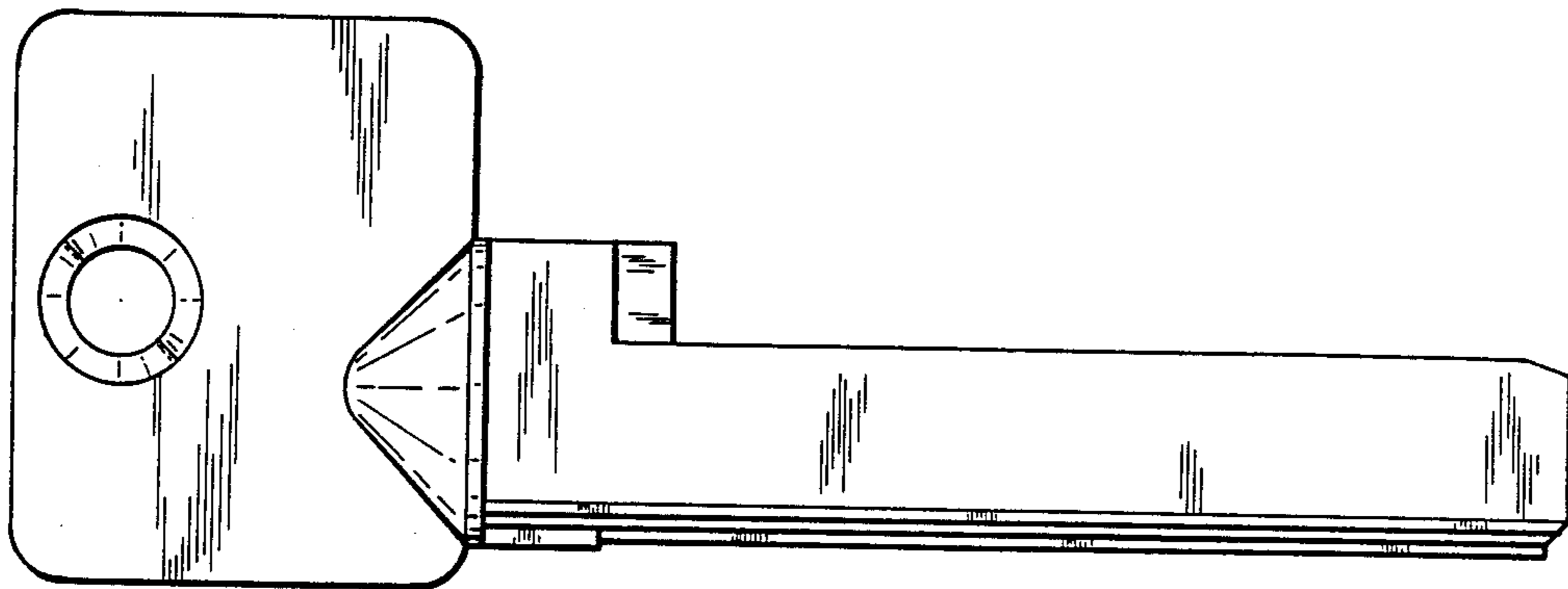
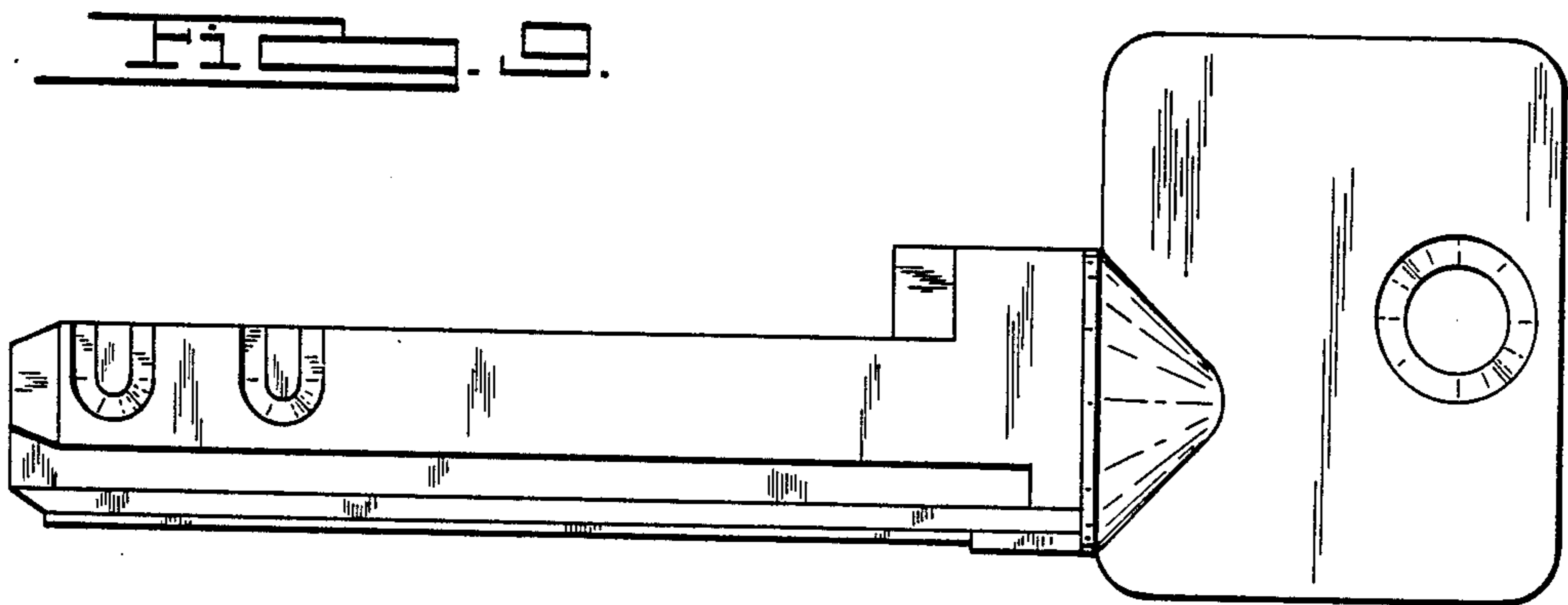
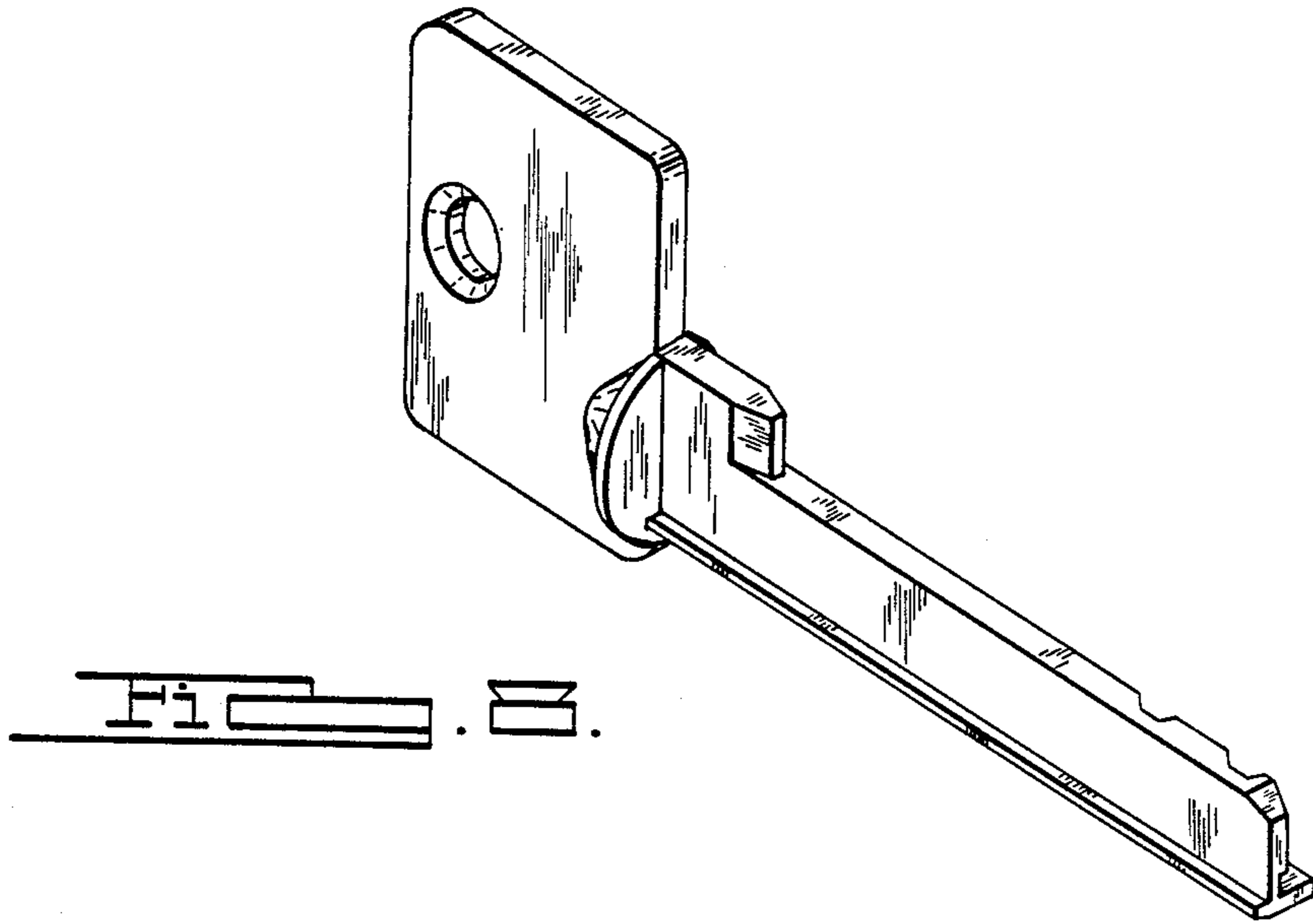


FIG. 10.