

- [54] PORTABLE ELECTRIC SCREW DRIVER
- [75] Inventors: Yuichiro Sasaki; Toshiaki Uchida,
both of Katsuta, Japan
- [73] Assignee: Hitachi Koki Company, Ltd., Japan
- [**] Term: 14 Years
- [21] Appl. No.: 136,485
- [22] Filed: Dec. 21, 1987
- [52] U.S. Cl. D8/68; D8/69
- [58] Field of Search D8/61, 68, 69; 81/54,
81/57.11, 57.14, 429; 173/163, 170; 408/124,
125, 127; 310/50

57-5419 3/1983 Japan .
59-6321 3/1983 Japan .

OTHER PUBLICATIONS

Rockwell Professional Power Tools Catalog, p. 61 "D"
Handle Screwdriver 7572.
Catalogue printed by Kress-Electrik GmbH+Co.,
1987.

Primary Examiner—Bruce W. Dunkins
Assistant Examiner—Clare E. Heflin
Attorney, Agent, or Firm—Lowe, Price, LeBlanc,
Becker & Shur

[57] CLAIM

The ornamental design for a portable electric screw
driver, as shown.

[56] References Cited

U.S. PATENT DOCUMENTS

- D. 118,854 2/1940 Forss D8/69
- D. 243,652 3/1977 Zurwelle et al. D8/68
- D. 243,742 3/1977 House et al. D8/69
- 2,479,750 8/1949 Lewandowski 408/124

FOREIGN PATENT DOCUMENTS

- 53-7064* 7/1978 Japan .
- 56-0126 9/1981 Japan .

DESCRIPTION

FIG. 1 is a front perspective view of the portable elec-
tric screw driver showing our new design;
FIG. 2 is a front elevational view thereof;
FIG. 3 is a rear elevational view thereof;
FIG. 4 is a right side elevational view thereof;
FIG. 5 is a left side elevational view thereof;
FIG. 6 is a top plan view thereof; and
FIG. 7 is a bottom plan view thereof.

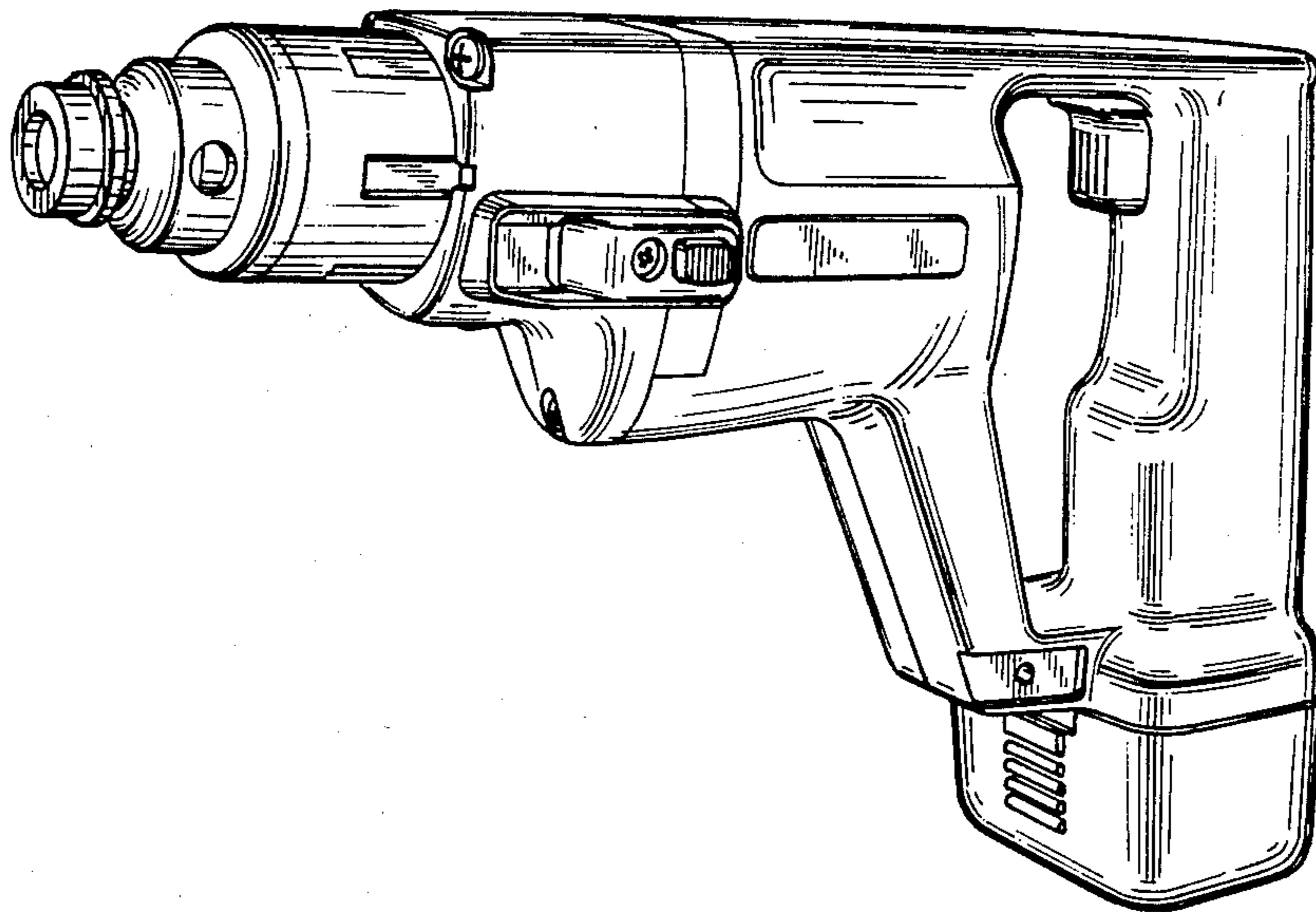


FIG. 1

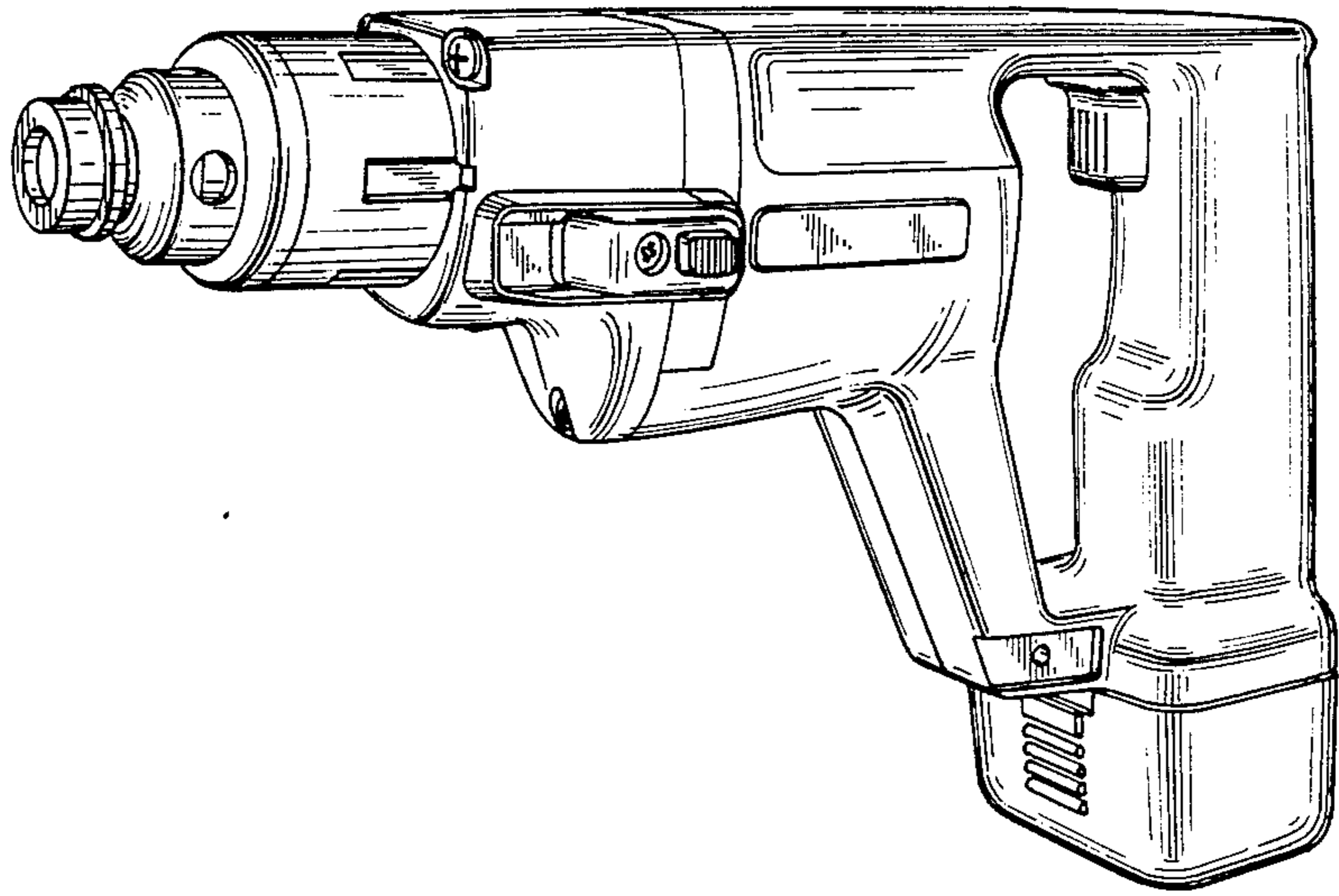


FIG. 2

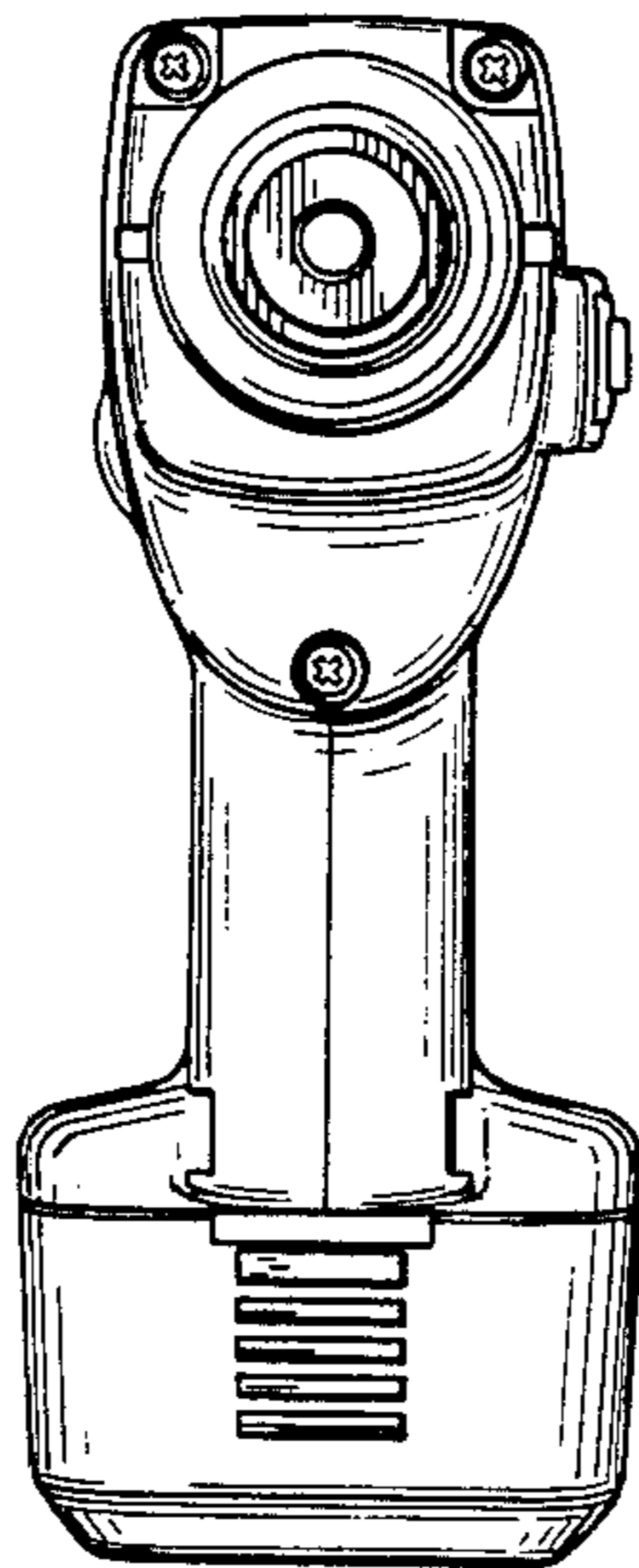


FIG. 3

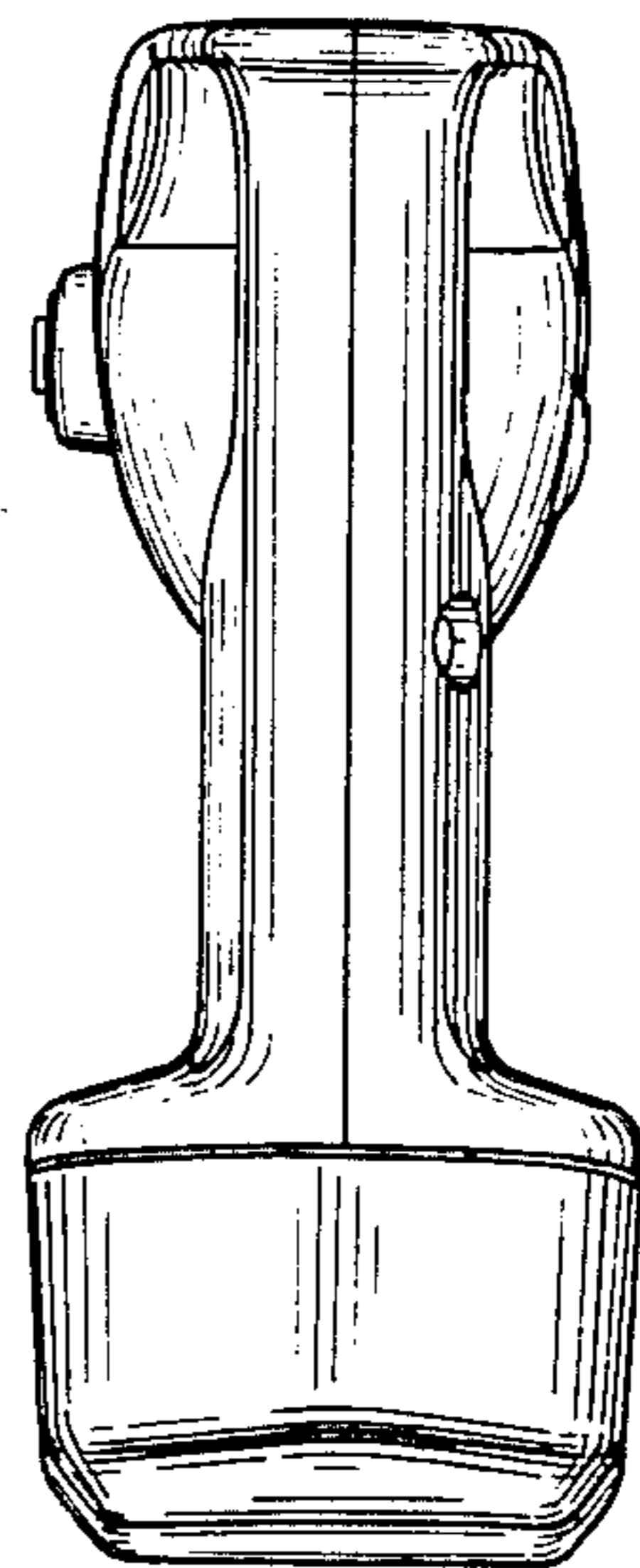


FIG. 4

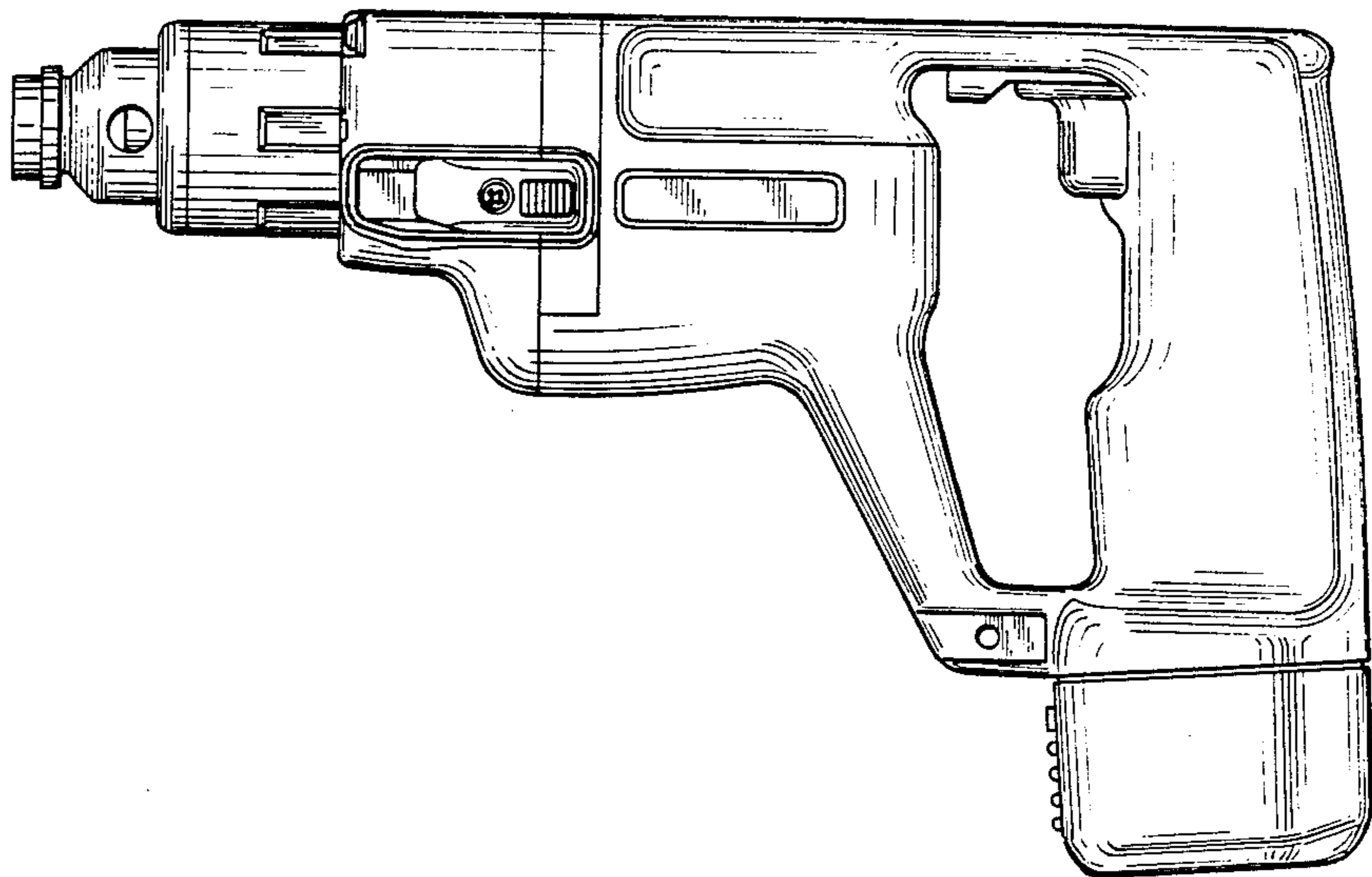


FIG. 5

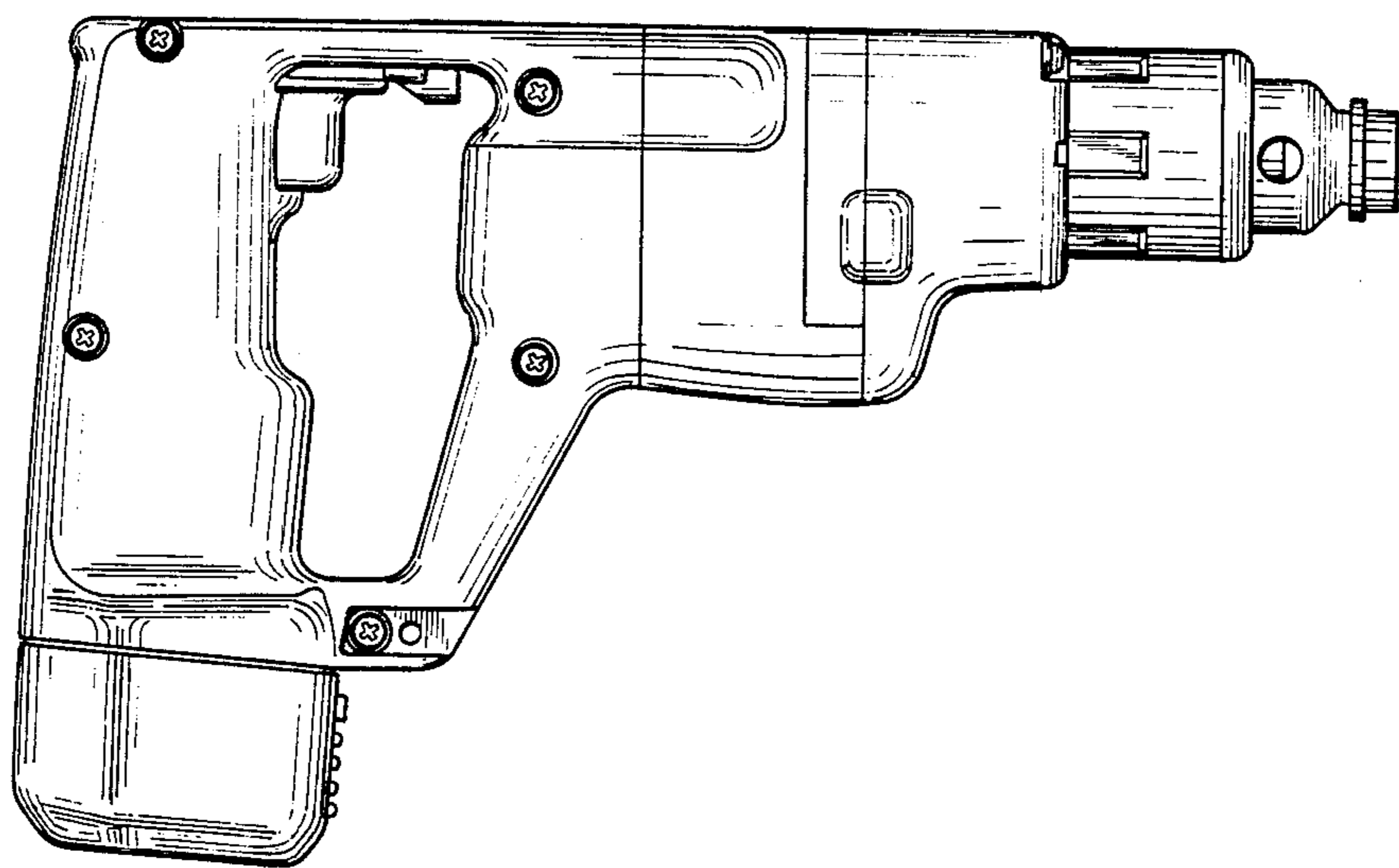


FIG. 6

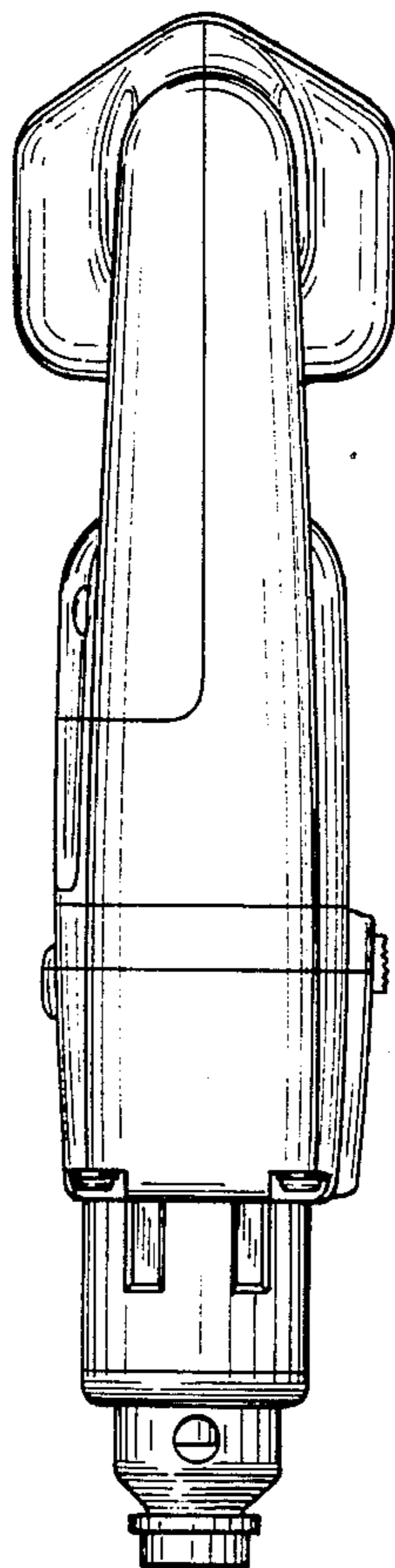


FIG. 7

