

[54] HYDRAULIC VALVE LIFTER REMOVAL TOOL

2,883,740 4/1959 Derby 29/213.1
3,010,346 11/1961 Kulp 81/124.2

[76] Inventor: Dan P. Porrello, 10 Maynard St., Pawtucket, R.I. 02860

Primary Examiner—Bruce W. Dunkins
Assistant Examiner—Clare E. Heflin
Attorney, Agent, or Firm—Salter & Michaelson

[**] Term: 14 Years

[57] CLAIM

[21] Appl. No.: 900,311

The ornamental design for a hydraulic valve lifter removal tool, as shown and described.

[22] Filed: Aug. 25, 1986

[52] U.S. Cl. D8/14

[58] Field of Search D8/14, 21-29, D8/51, 88, 89, 107; 29/213.1, 270, 278, 255; 7/100; 81/124.2

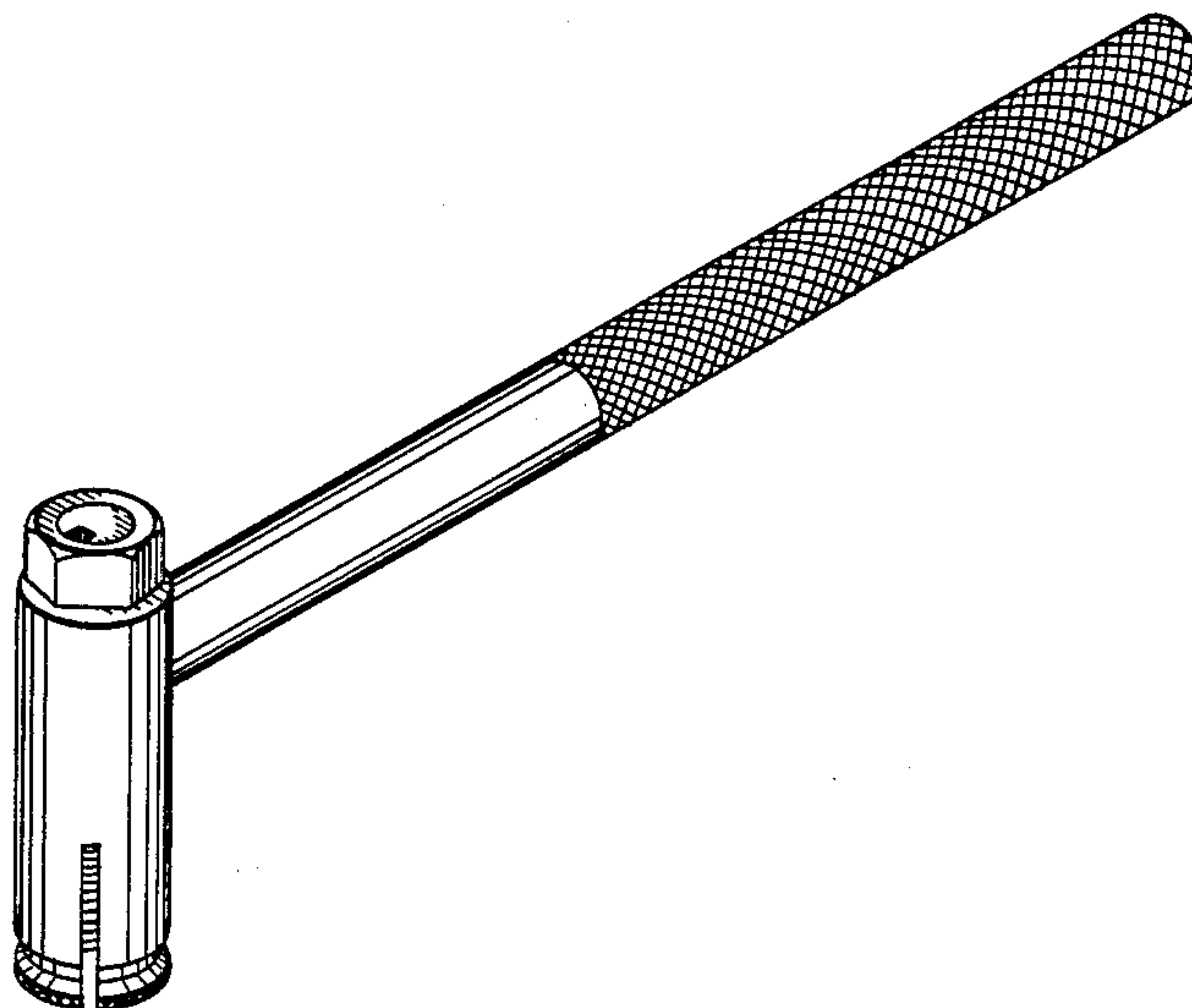
DESCRIPTION

FIG. 1 is a perspective view of a hydraulic valve lifter removal tool showing my new design; FIG. 2 is a front elevational view thereof; FIG. 3 is a rear elevational view thereof; FIG. 4 is a top plan view thereof; FIG. 5 is a side elevational view thereof, the opposite side being a mirror image thereof; and FIG. 6 is a bottom plan view thereof.

[56] References Cited

U.S. PATENT DOCUMENTS

1,851,421 3/1932 Conklin 29/213.1
2,808,641 10/1957 Sandell 29/213.1



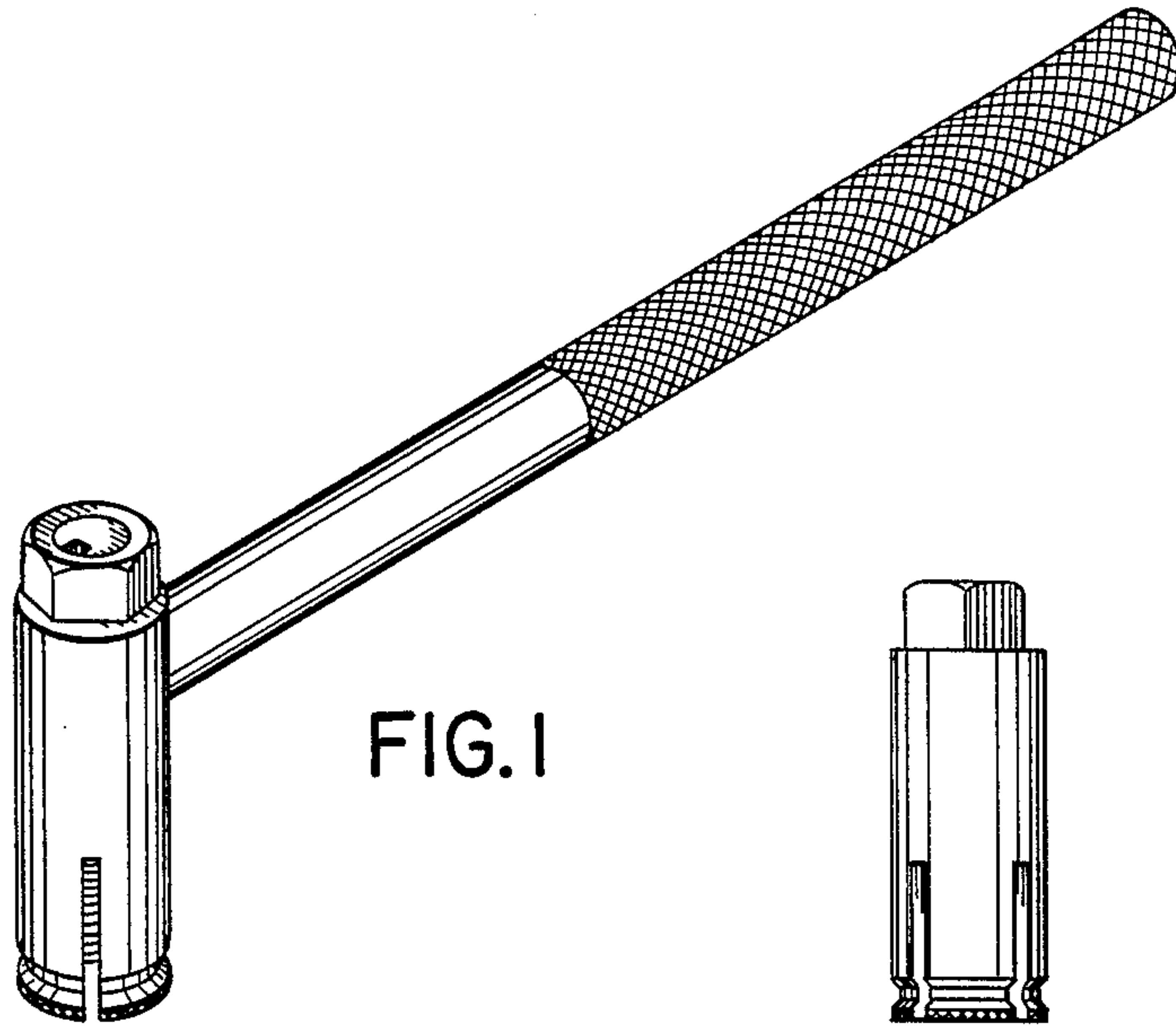


FIG. 1



FIG. 2



FIG. 3

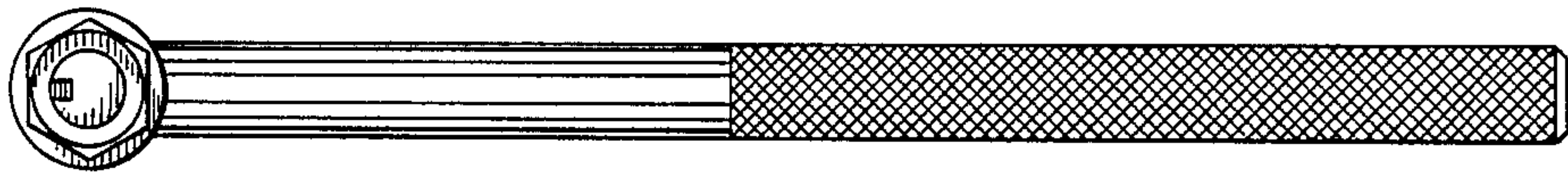


FIG. 4

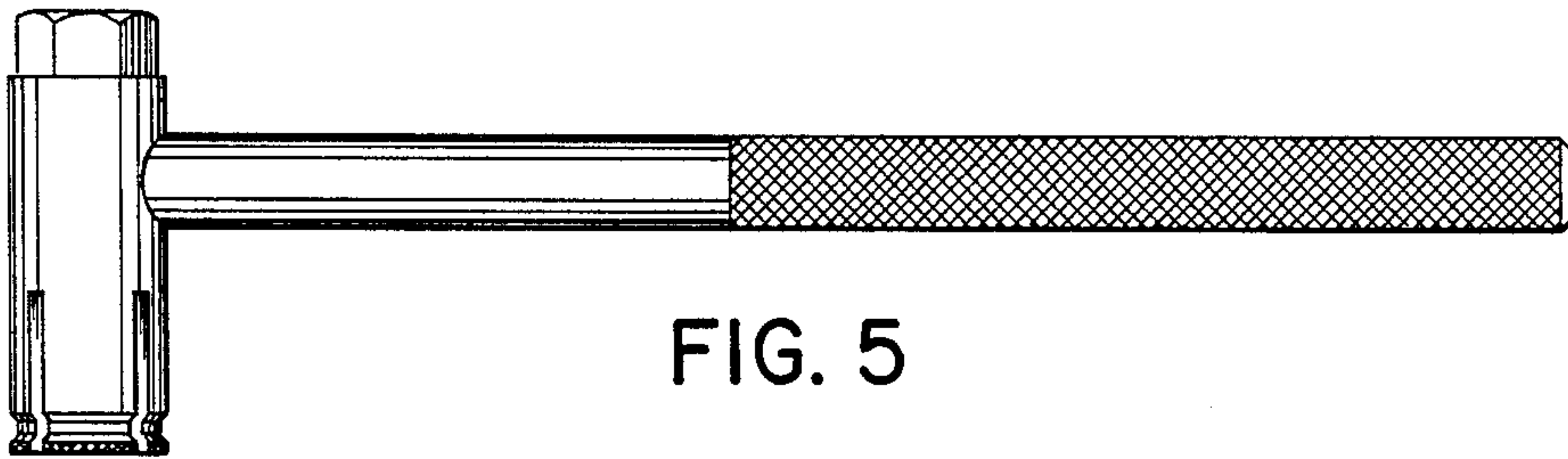


FIG. 5

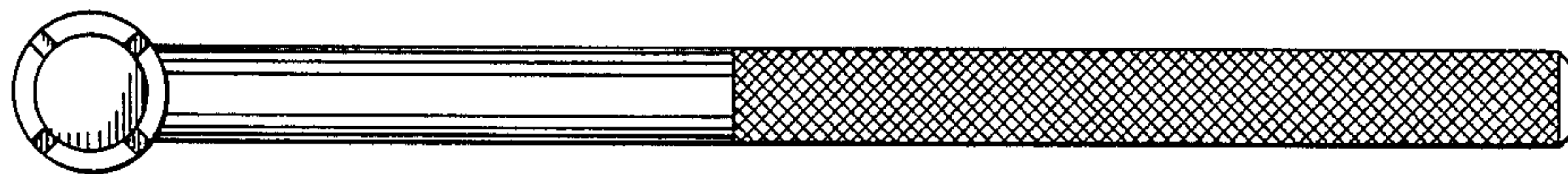


FIG. 6