

[54] FOOD PROCESSOR

[75] Inventor: Jean-Louis Barrault,
Boulogne-Billancourt, France

[73] Assignee: Moulinex, Societe Anonyme,
Bagnole, France

[**] Term: 14 Years

[21] Appl. No.: 946,532

[22] Filed: Dec. 29, 1986

[30] Foreign Application Priority Data

Jul. 15, 1986 [FR] France 863807

[52] U.S. Cl. D7/384; D7/378

[58] Field of Search D7/384, 383, 381, 49,
D7/368, 378, 412, 413, 386

[56] References Cited

U.S. PATENT DOCUMENTS

D. 251,407 3/1979 Tsuji et al. D7/384

D. 290,677 7/1987 Stutzer et al. D7/383 X
D. 292,260 10/1987 Barrault D7/384
D. 293,195 12/1987 Kim D7/384

OTHER PUBLICATIONS

1985/86 BEST Products Catalog, p. 210, bottom right,
Sunbeam Oskar TM Food Processor Model 14081.

Primary Examiner—Winifred E. Herrmann
Attorney, Agent, or Firm—Young & Thompson

[57] CLAIM

The ornamental design for a food processor, as shown.

DESCRIPTION

FIG. 1 is a perspective view of a food processor showing my new design;

FIG. 2 is a front elevational view thereof;

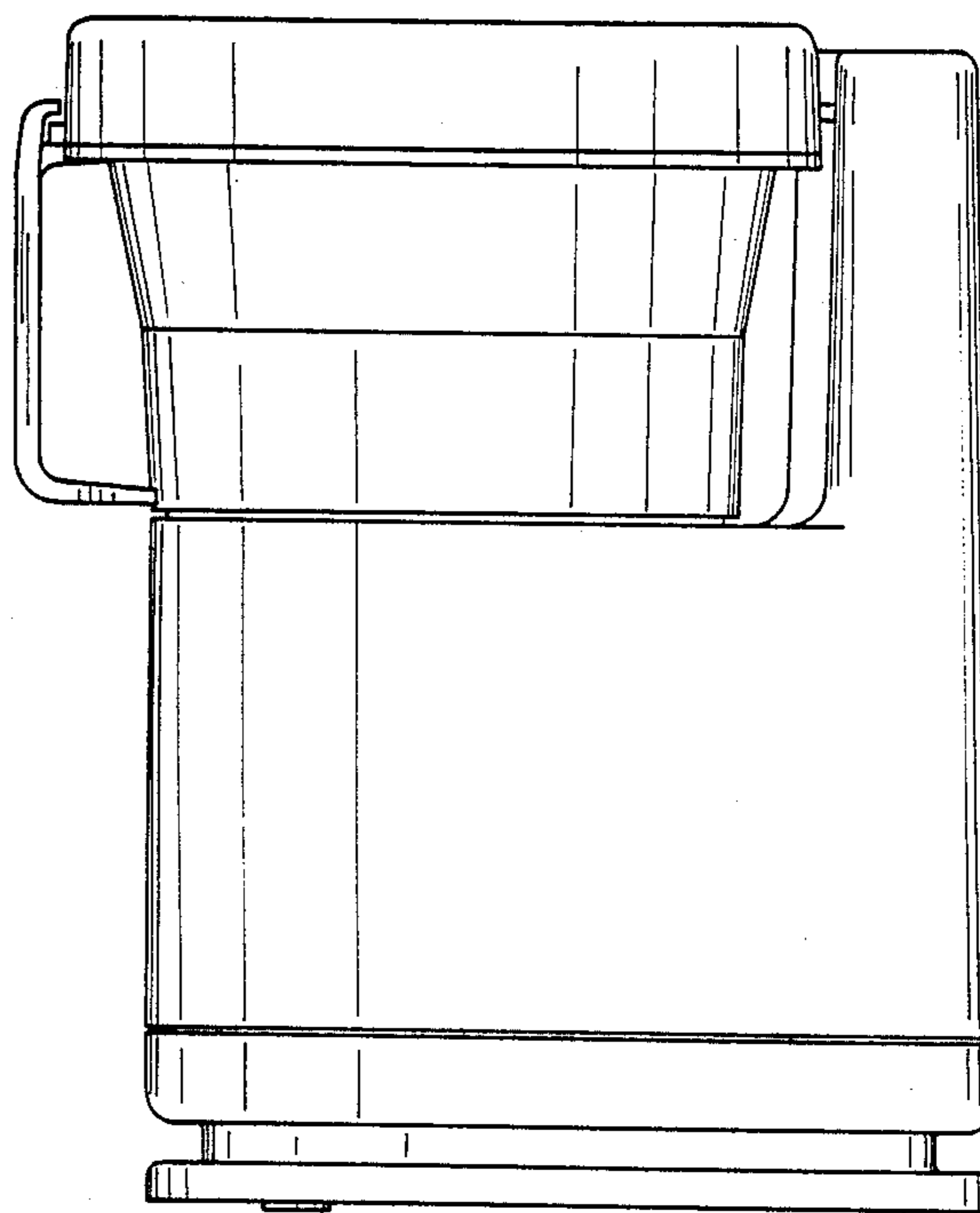
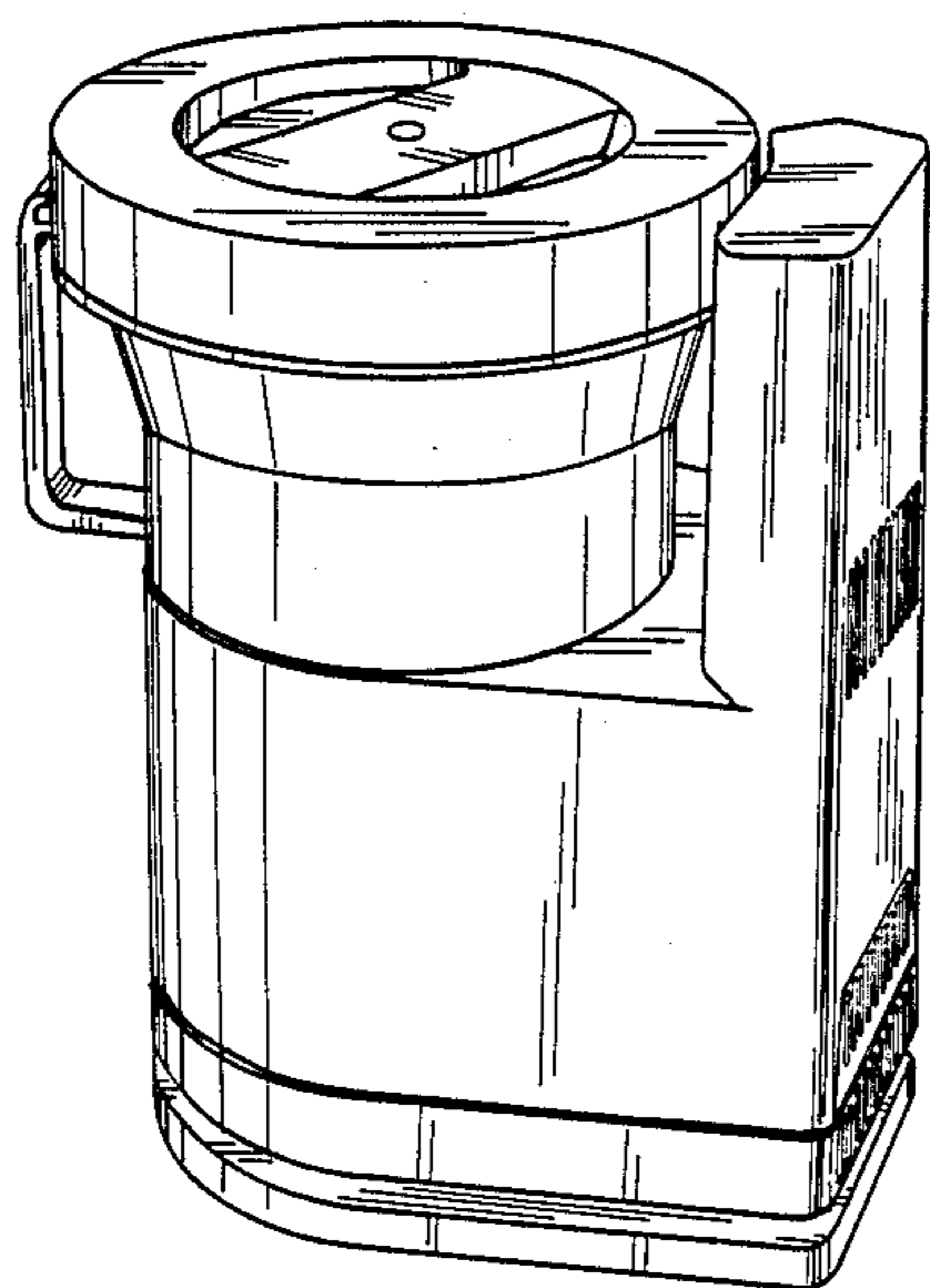
FIG. 3 is a left-side elevational view thereof;

FIG. 4 is a right-side elevational view thereof;

FIG. 5 is a rear elevational view thereof;

FIG. 6 is a top plan view thereof; and

FIG. 7 is a bottom plan view thereof.



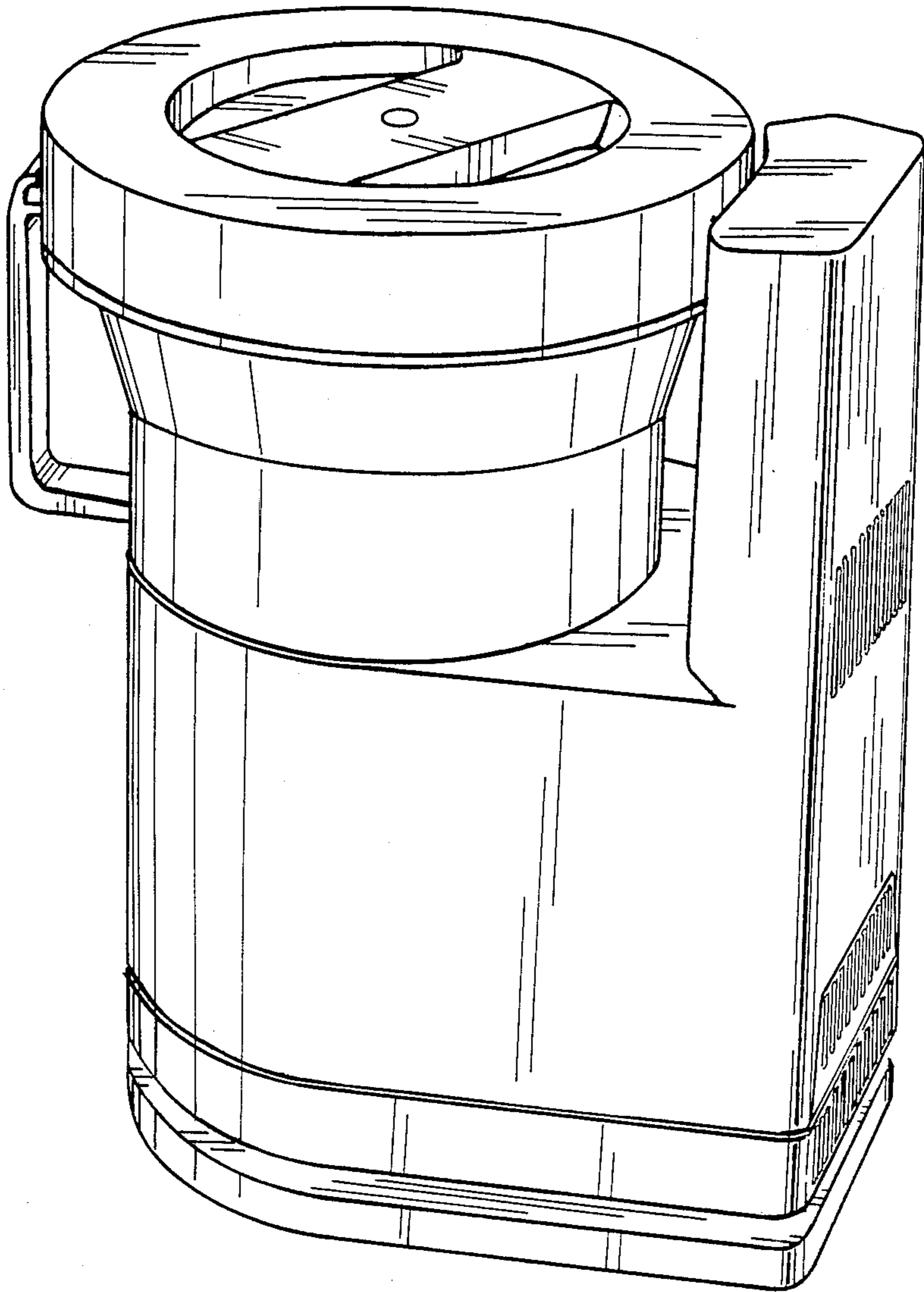


FIG. 1

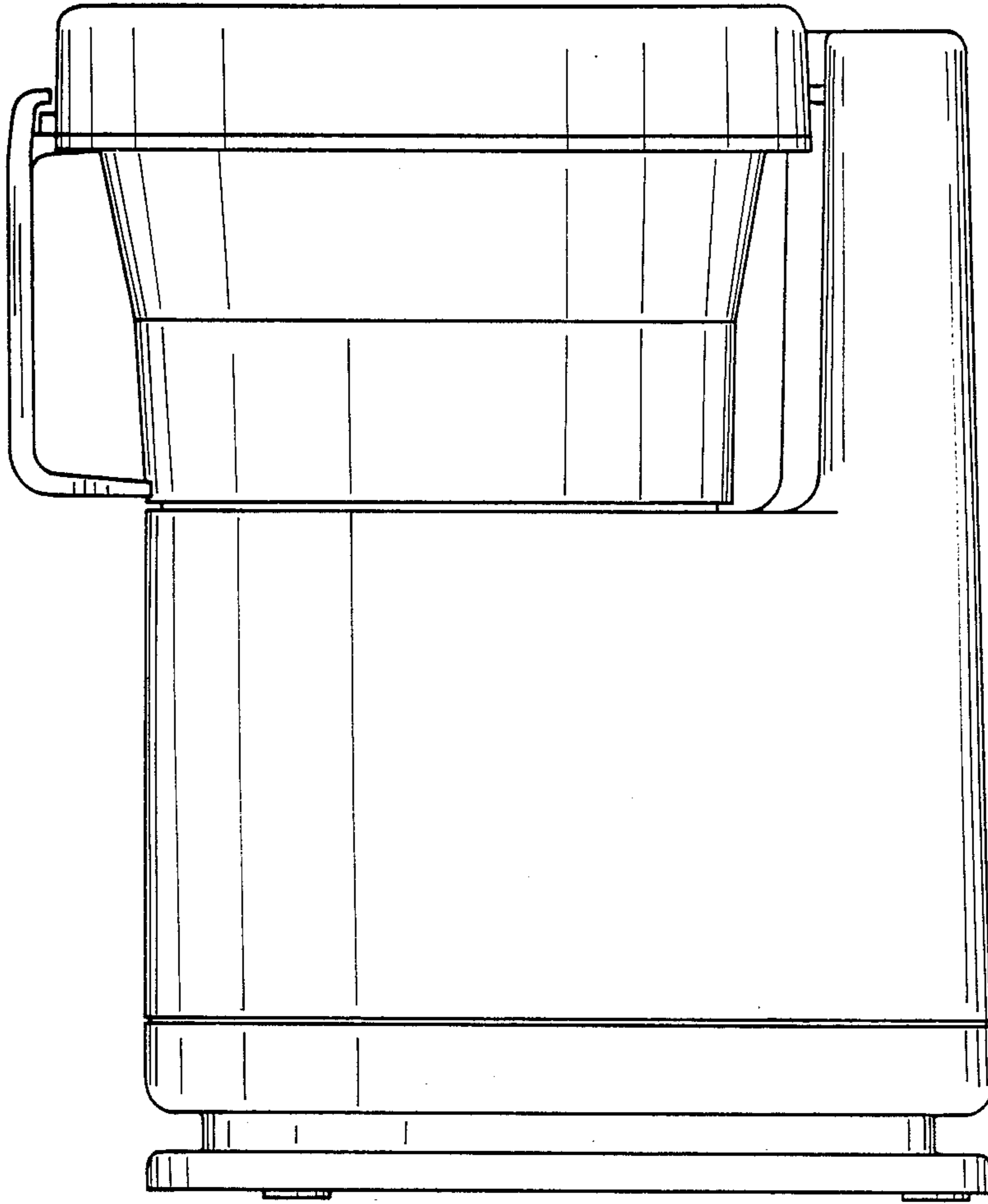


FIG. 2

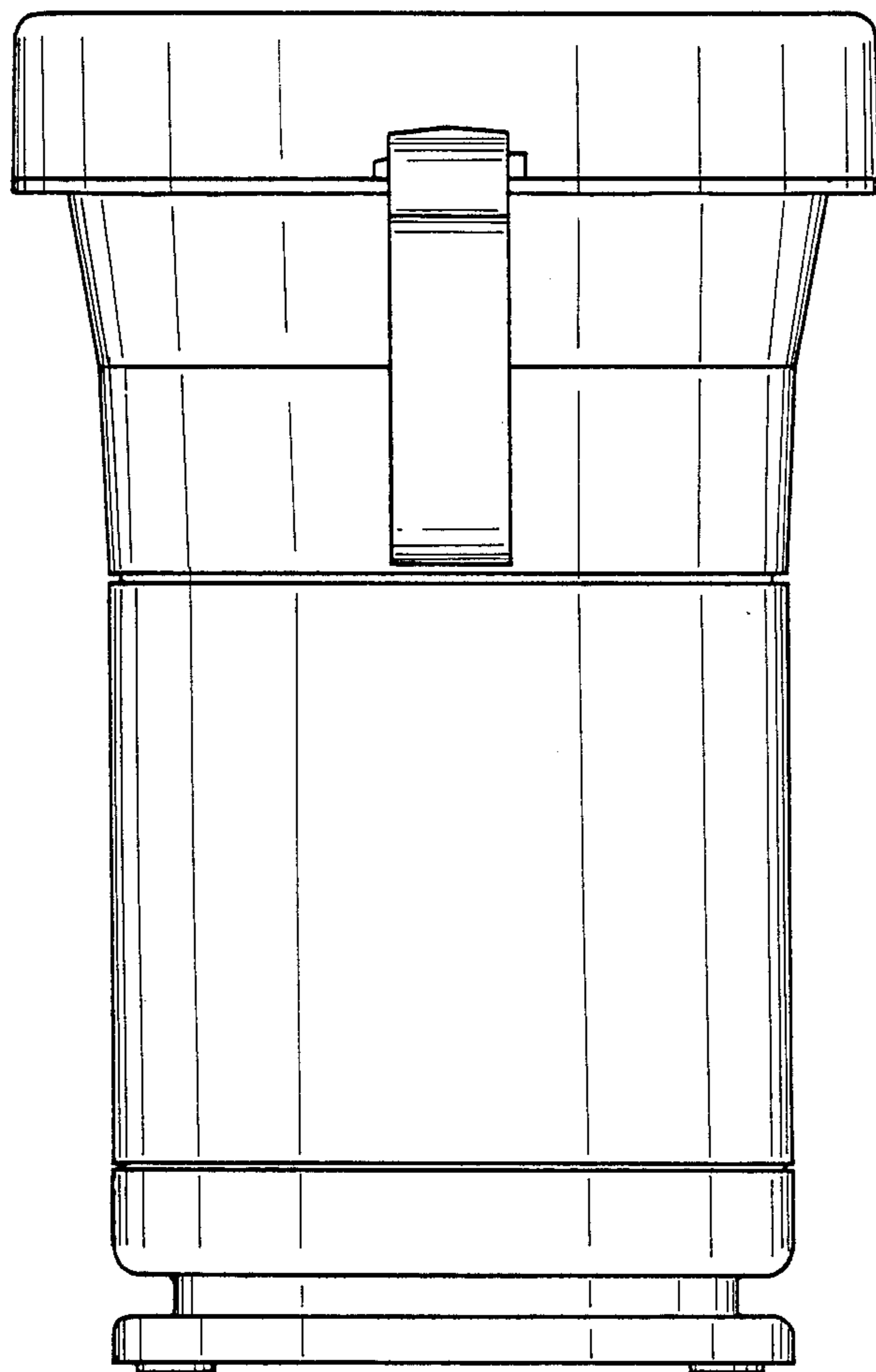


FIG. 3

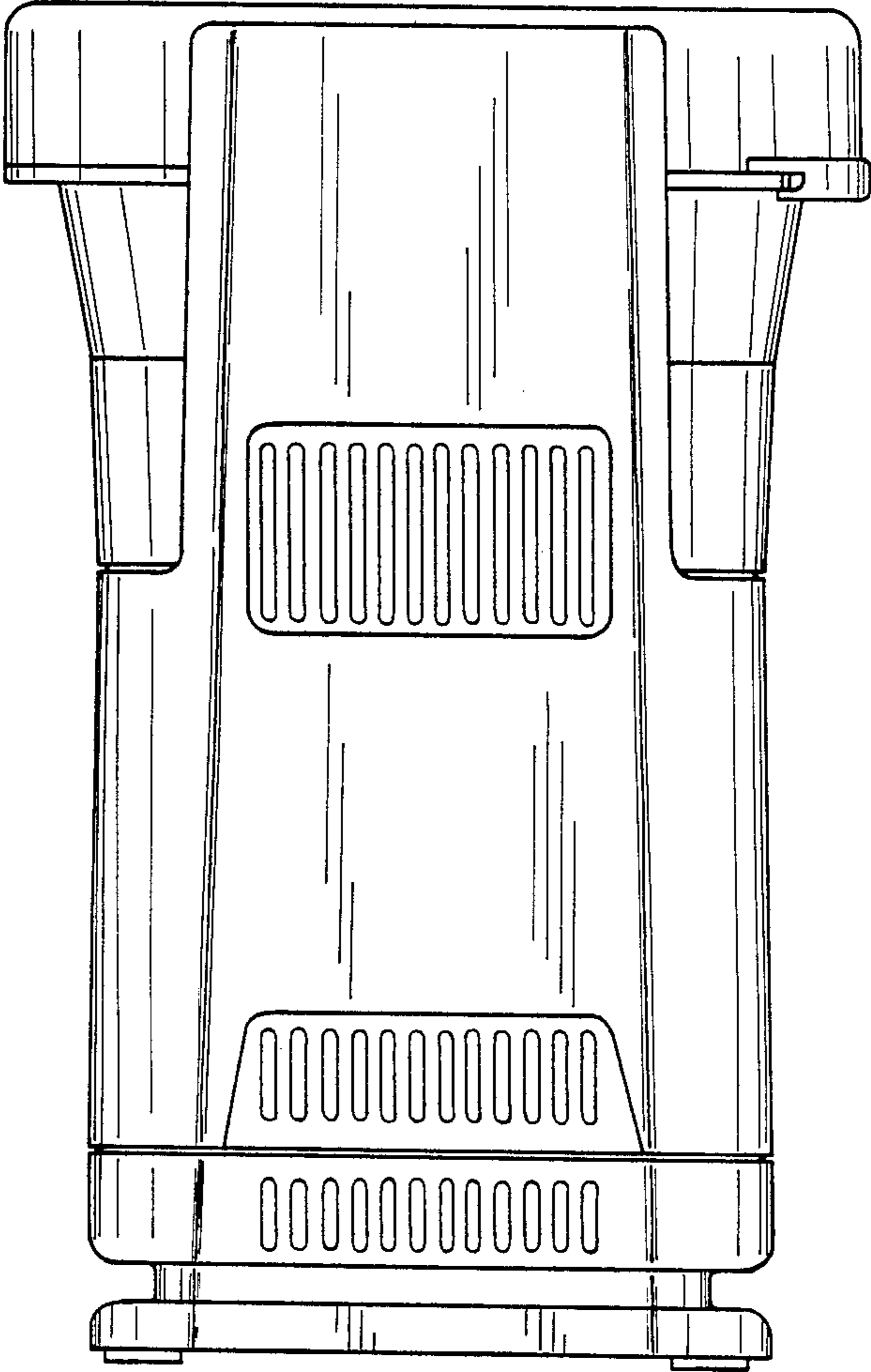


FIG. 4

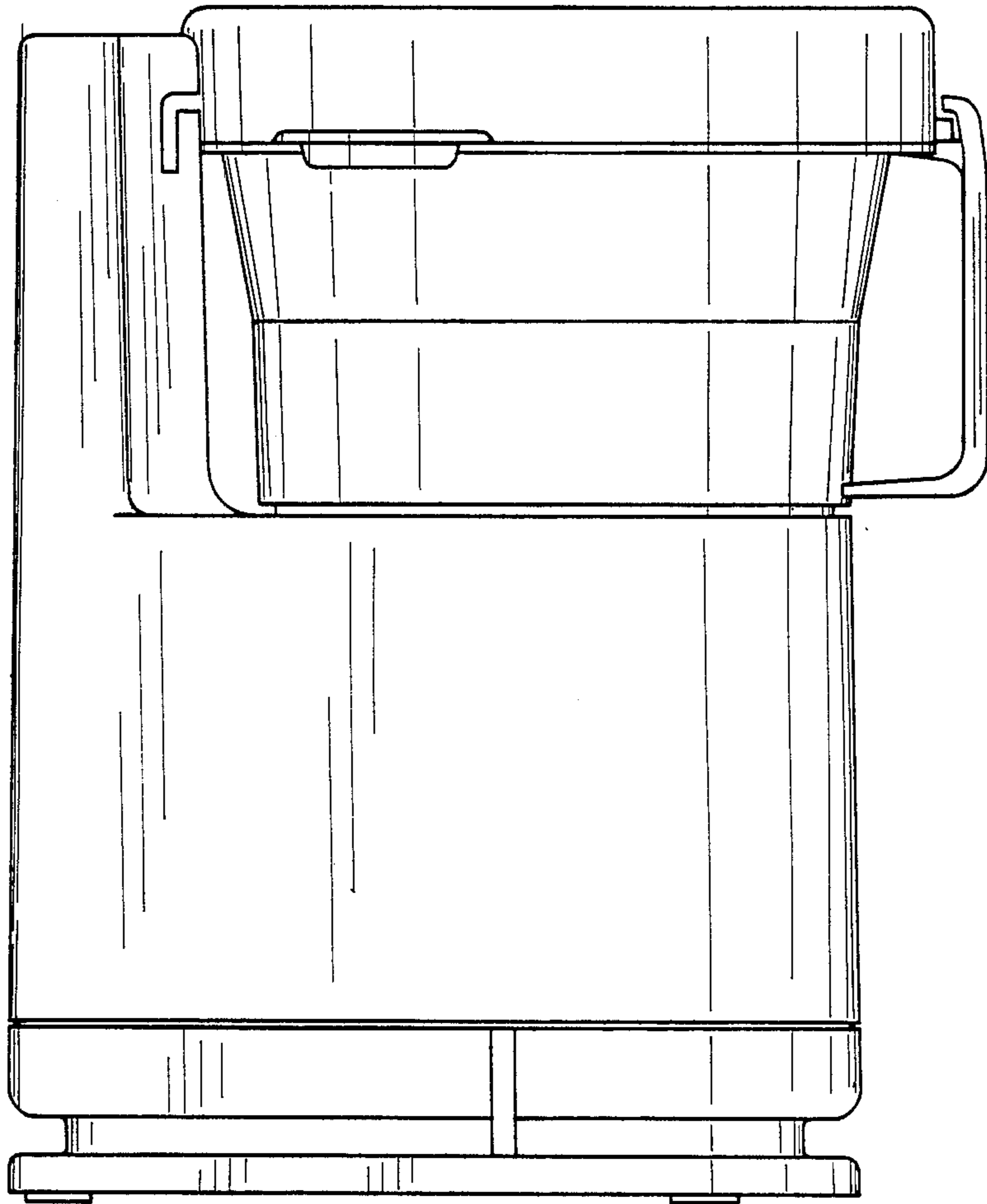


FIG. 5

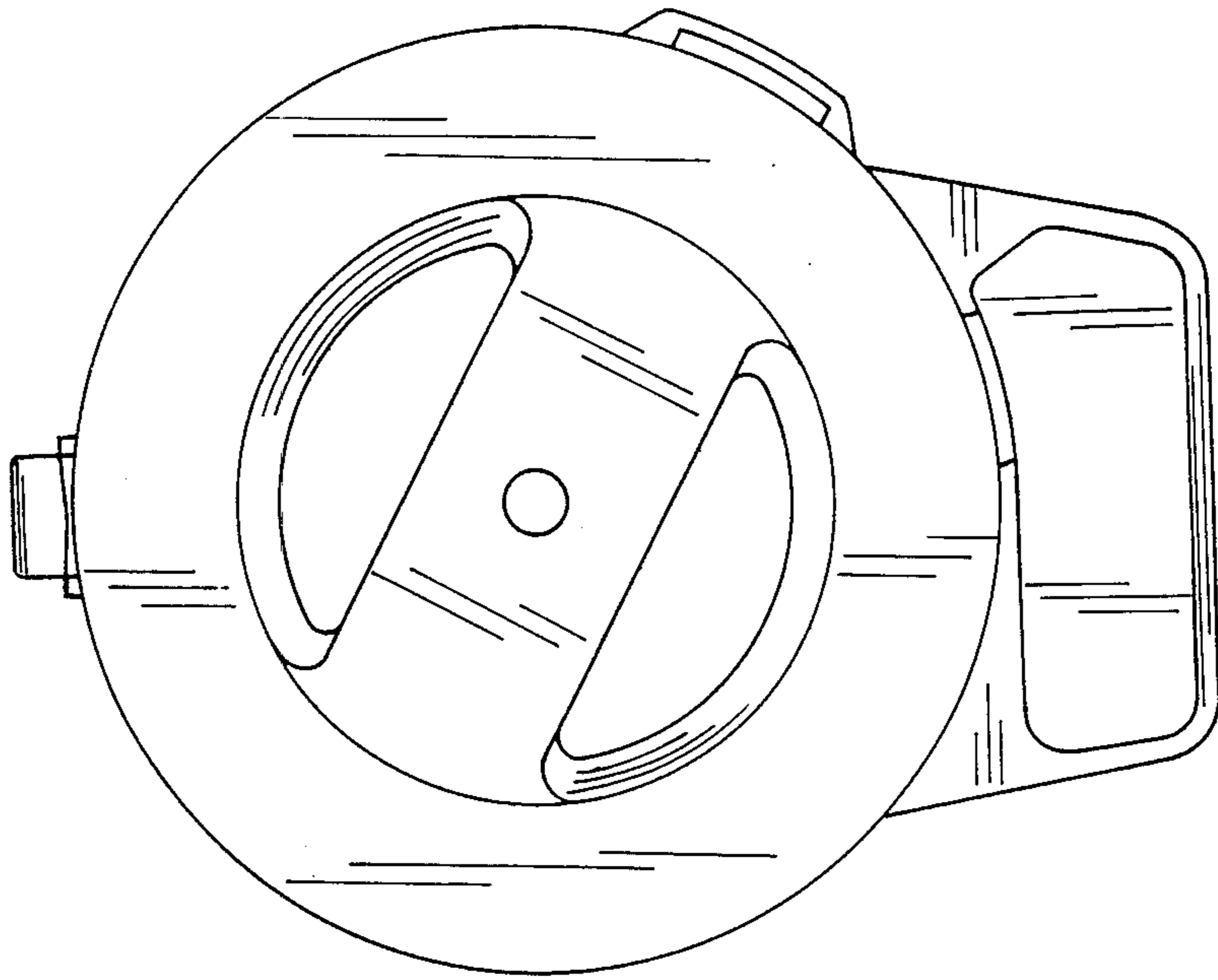


FIG. 6

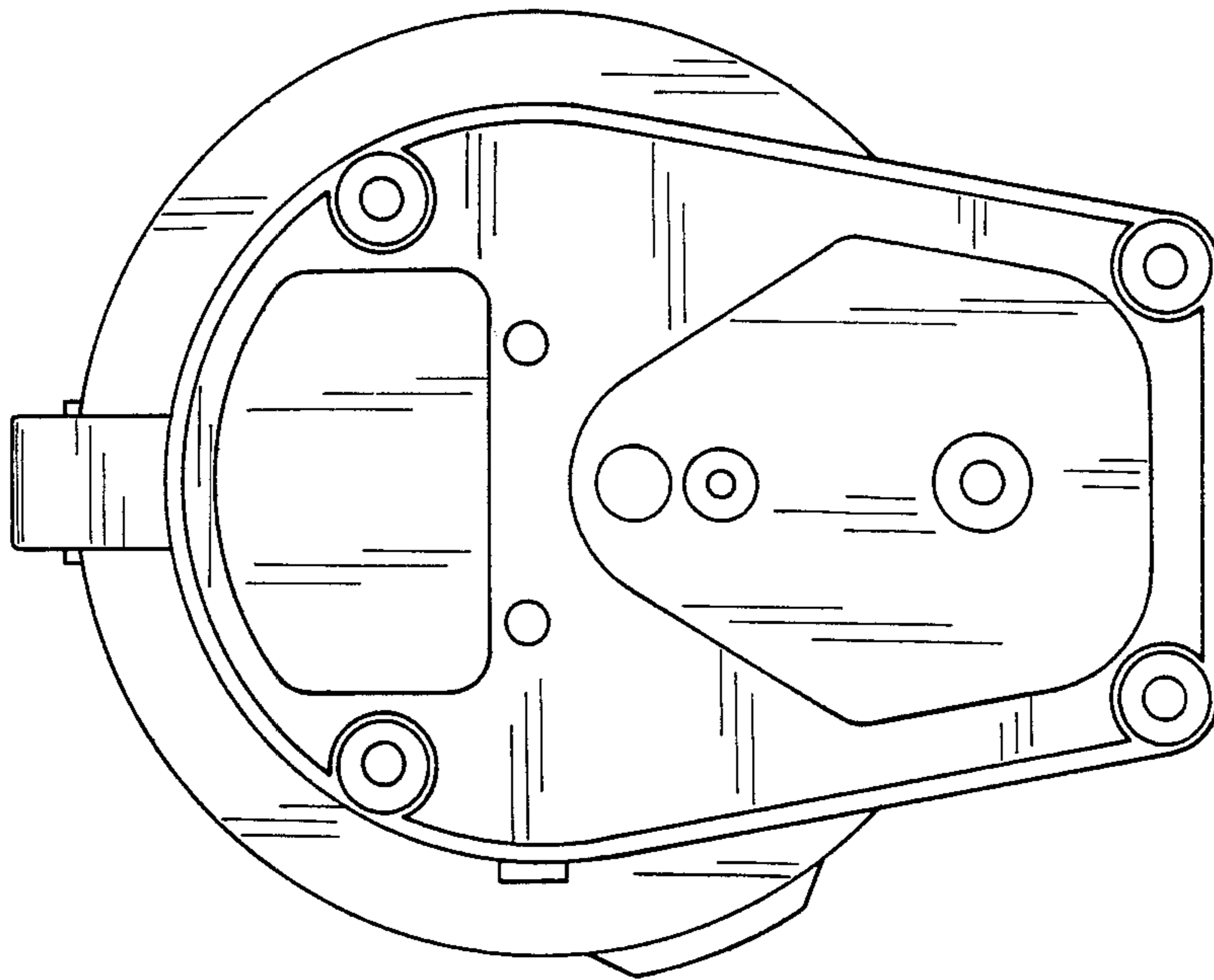


FIG. 7