

[54] SOAP DISH

[75] Inventors: Peter S. Fayerman, Bryn Mawr;
Leslie A. Meck, Blandan, both of Pa.

[73] Assignee: Baldwin Hardware Corporation,
Reading, Pa.

[*] Notice: The portion of the term of this patent
subsequent to Jan. 17, 2003 has been
disclaimed.

[**] Term: 14 Years

[21] Appl. No.: 789,168

[22] Filed: Oct. 18, 1985

[52] U.S. Cl. D6/540

[58] Field of Search D6/567, 572, 574, 536,
D6/540; D8/352, 381; 206/77.1; 248/309 R,
235, 239, 250; 211/88, 90, 134, 153; 108/152

[56] References Cited

PUBLICATIONS

HEWI Catalog; eff. 1/1982; p. 105.16a; Shelf Bracket
475.0.200, (top of page).

One page from Auburn Brass brochure, Soap Dish
#1284.

Primary Examiner—B. J. Bullock
Attorney, Agent, or Firm—Steven L. Permut; Malcolm
L. Sutherland

[57] CLAIM

The ornamental design for a soap dish, as shown and
described.

DESCRIPTION

FIG. 1 is a perspective view of a soap dish showing our
new design;
FIG. 2 is an enlarged top plan view thereof;
FIG. 3 is an enlarged front elevational view thereof;
FIG. 4 is an enlarged right side elevational view
thereof, the side opposite being a mirror image;
FIG. 5 is an enlarged bottom plan view thereof;
FIG. 6 is a perspective view of a second embodiment of
the design of FIG. 1;
FIG. 7 is an enlarged top plan view of FIG. 6;
FIG. 8 is an enlarged front elevational view of FIG. 6;
FIG. 9 is an enlarged right side elevational view
thereof, the side opposite being a mirror image;
FIG. 10 is an enlarged bottom plan view of FIG. 6.

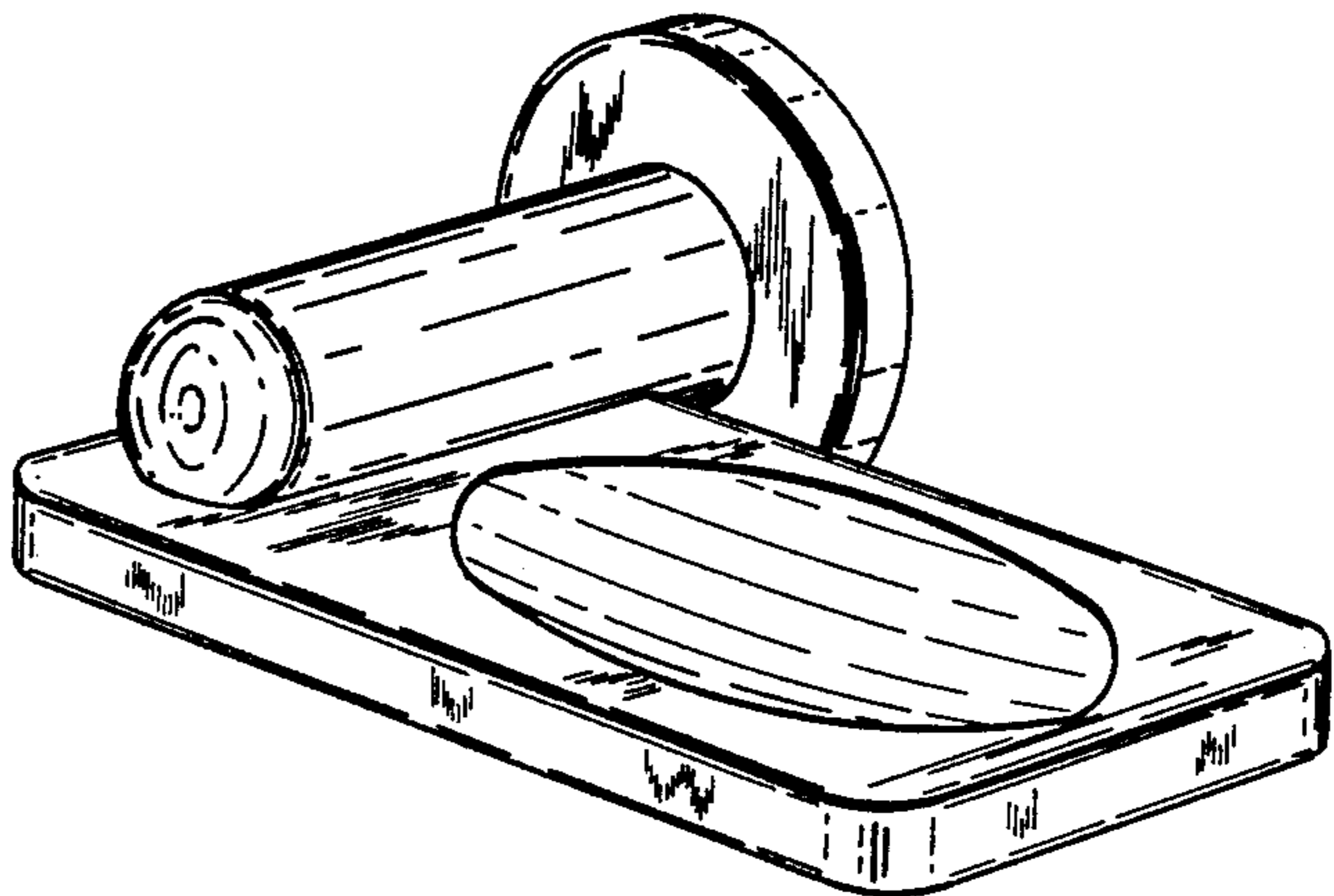
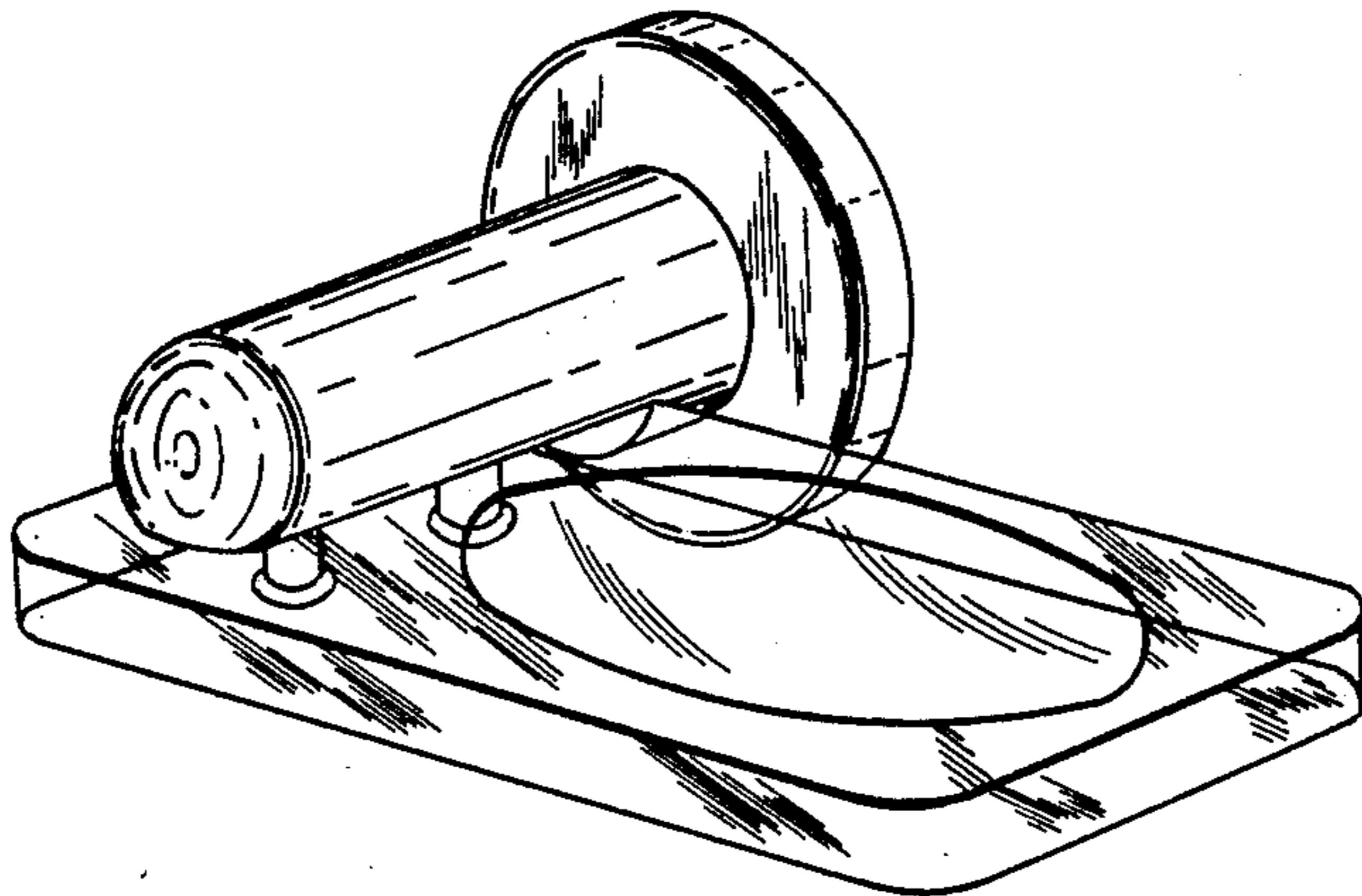


Fig. 1.

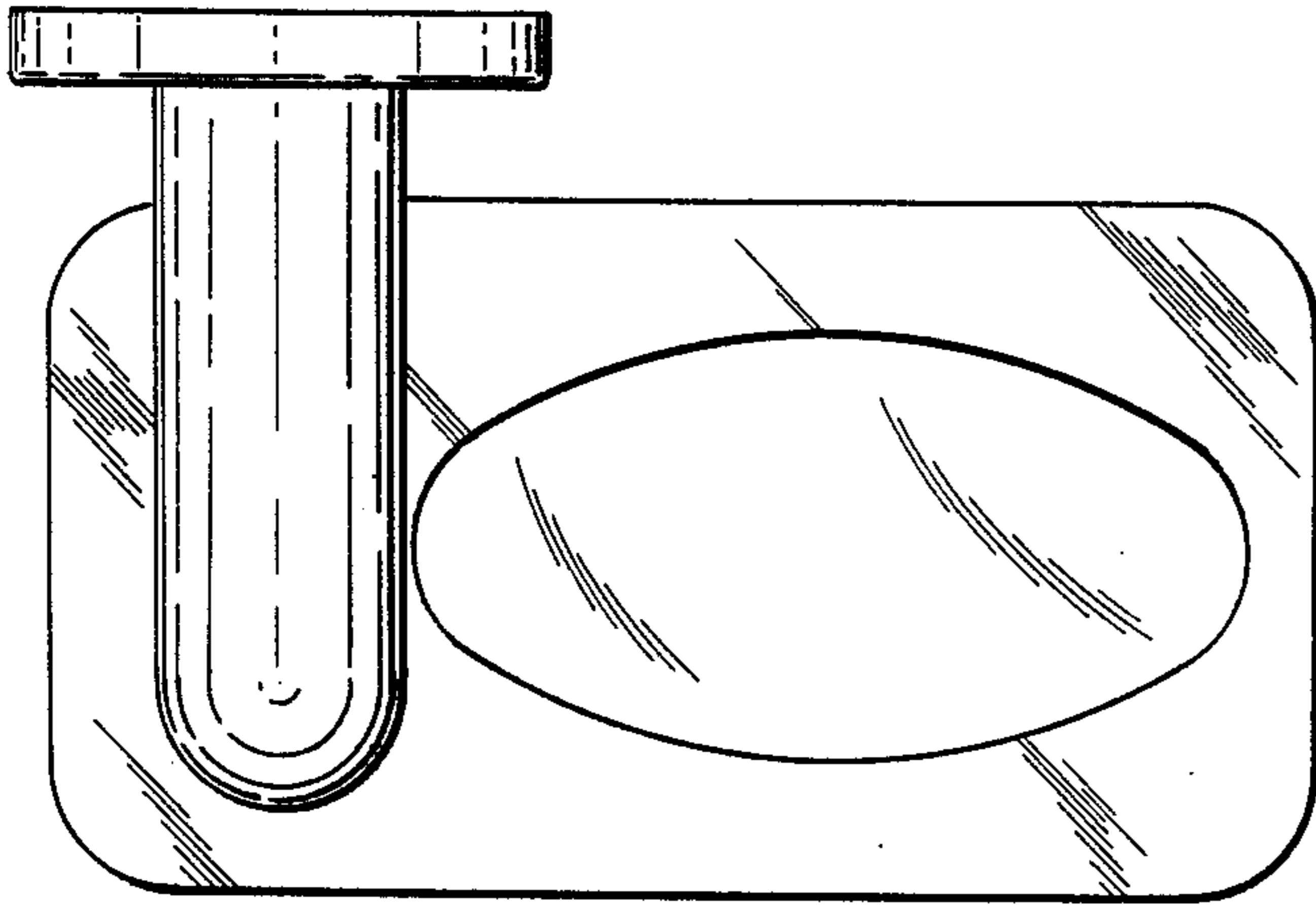
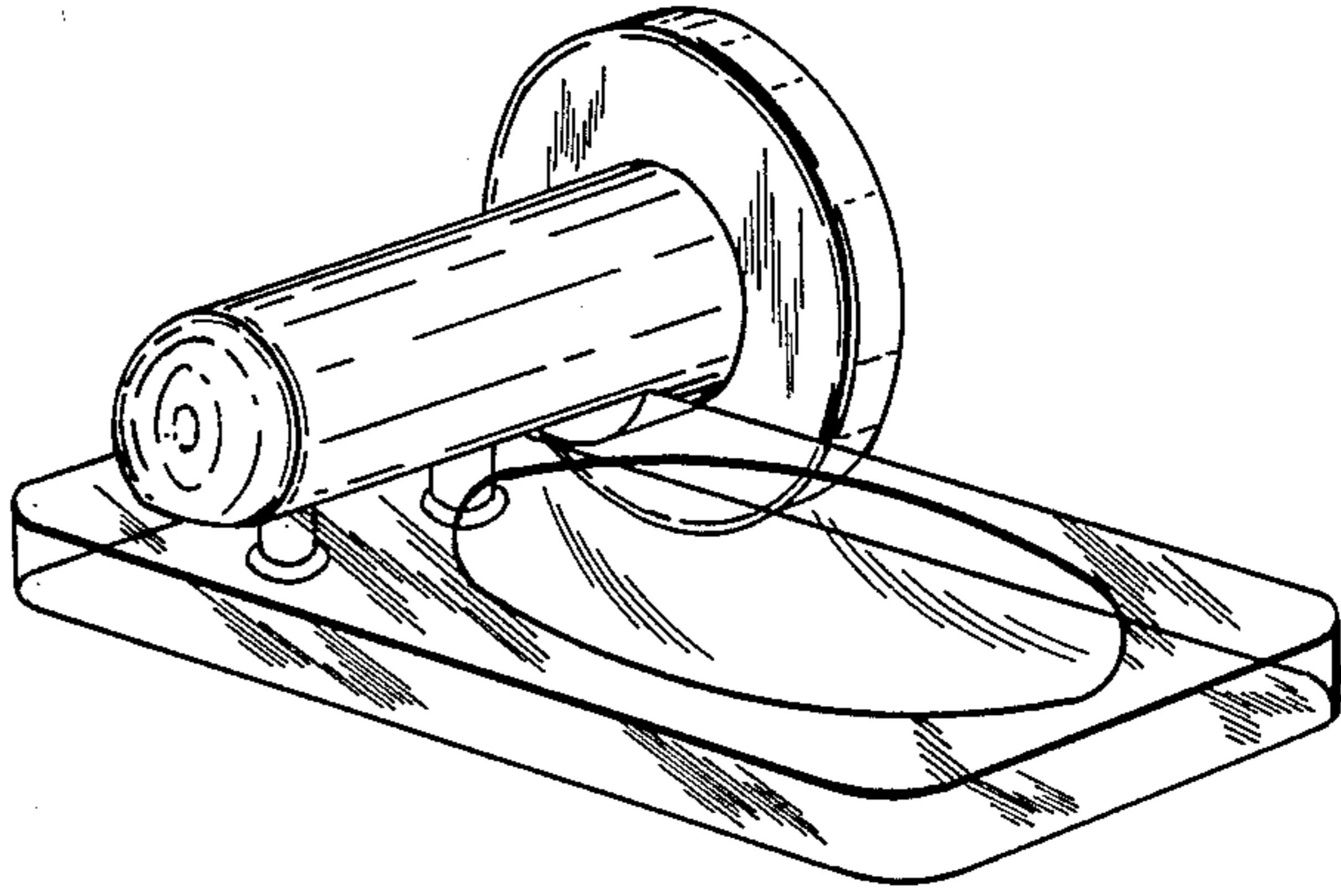


Fig. 2.

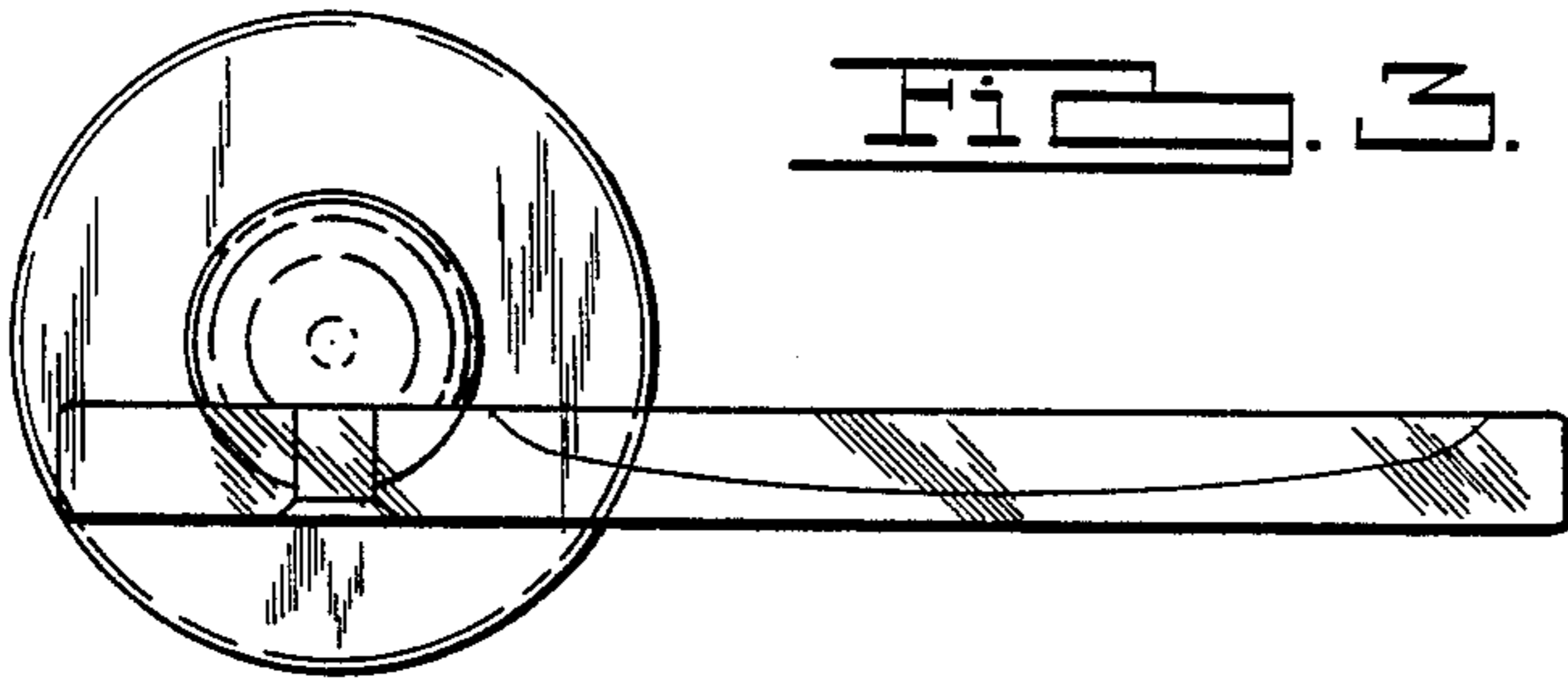


Fig. 3.

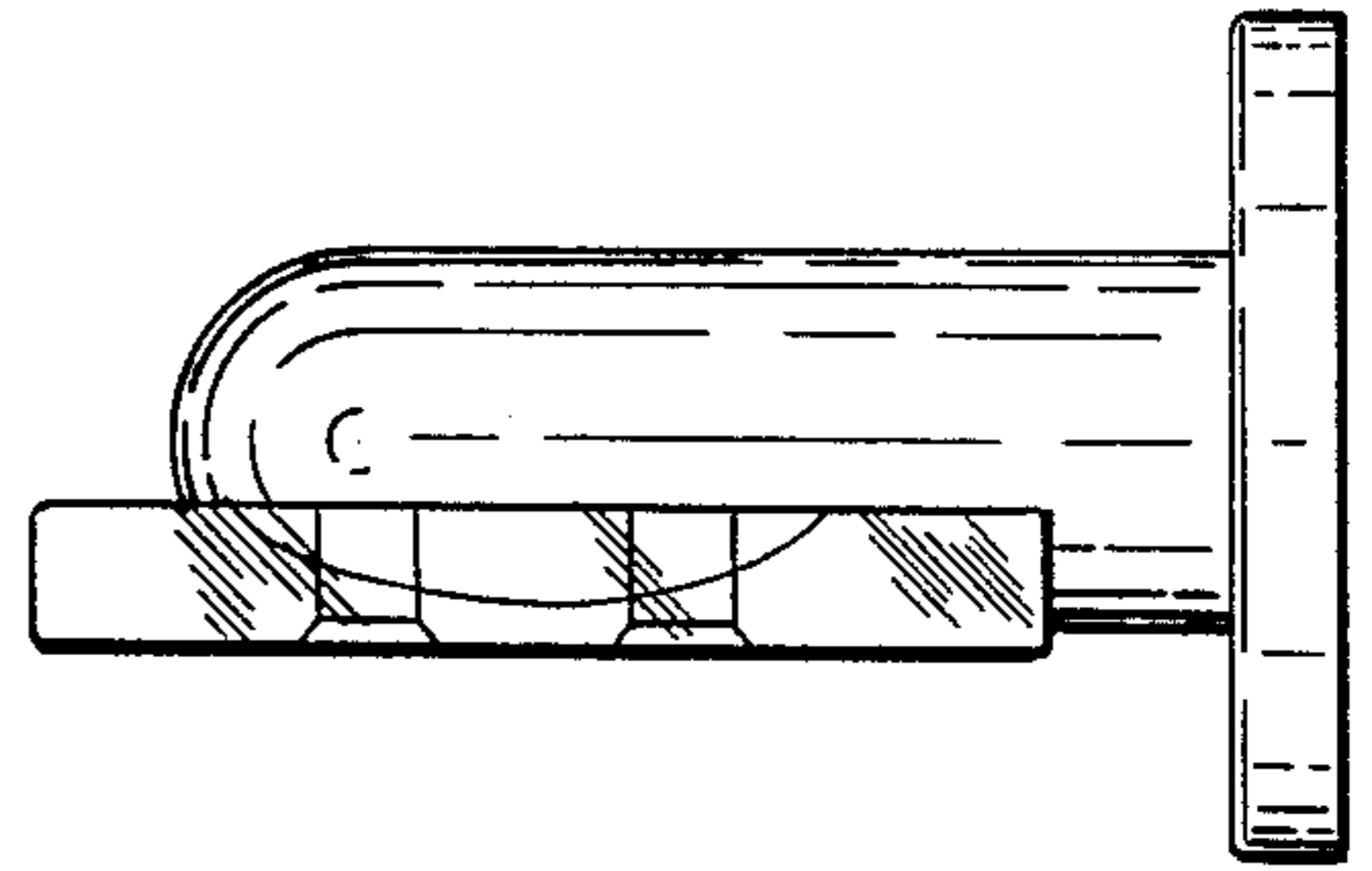


Fig. 4.

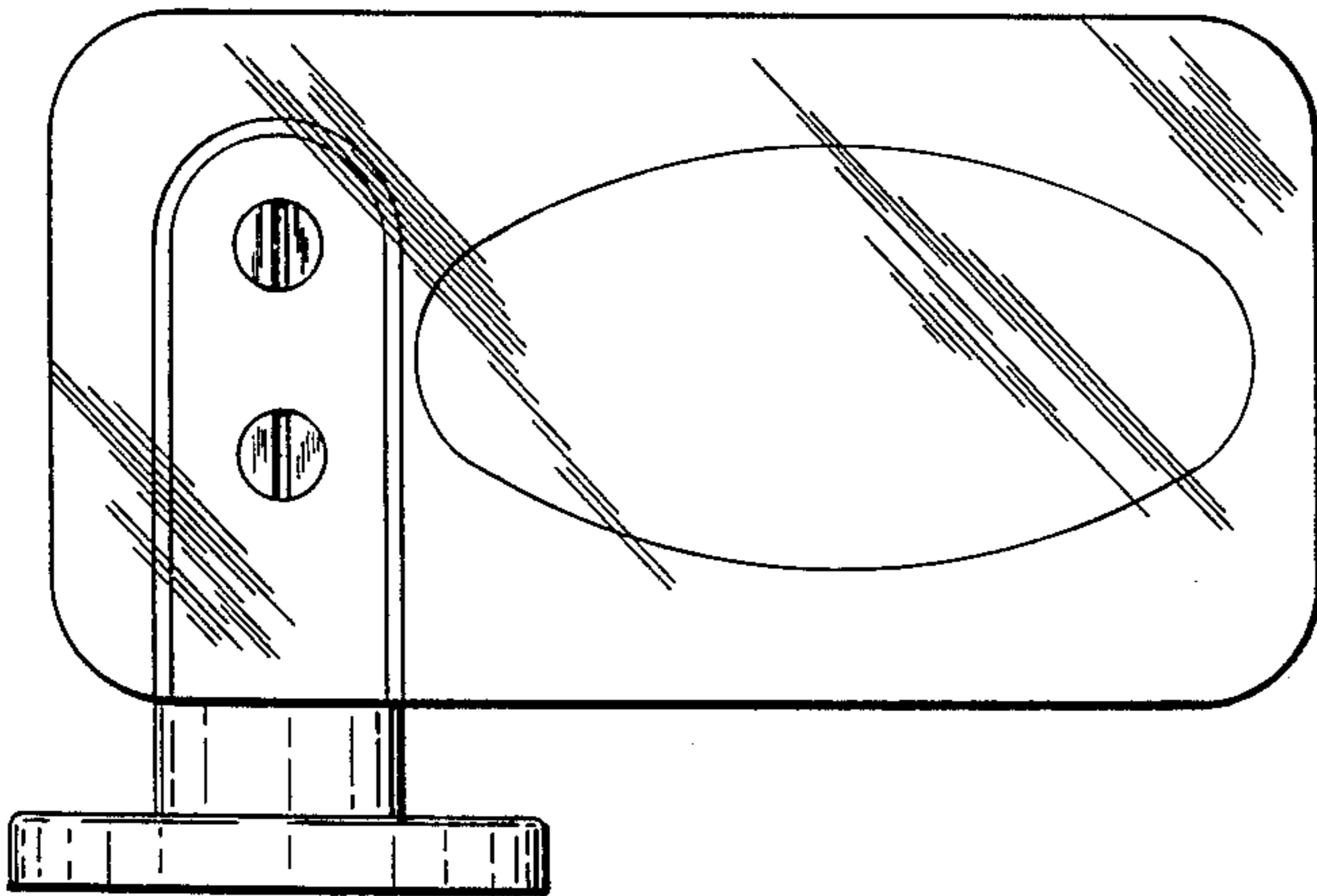


Fig. 5.

