

[54] COMBINED TOOTHBRUSH SANITIZING HOLDER AND TRAY

[76] Inventor: Glenn H. Morris, 1192 Cumberland Rd., Chattanooga, Tenn. 37419

[*] Notice: The portion of the term of this patent subsequent to May 16, 2003 has been disclaimed.

[**] Term: 14 Years

[21] Appl. No.: 128,512

[22] Filed: Dec. 3, 1987

[52] U.S. Cl. D6/528

[58] Field of Search D24/4-5, D24/16; D6/524, 528, 534; 312/31; 108/25; 211/60.1, 65; 206/205, 209, 362.2, 362.3, 368-369

[56] References Cited

U.S. PATENT DOCUMENTS

D. 277,814	3/1985	Thompson	D6/534
D. 293,532	1/1988	Sussman	D6/535 X
4,202,569	5/1980	Thuringer	211/71 X
4,214,657	7/1980	Winston	D6/528 X
4,585,119	4/1986	Boyington	206/209 X

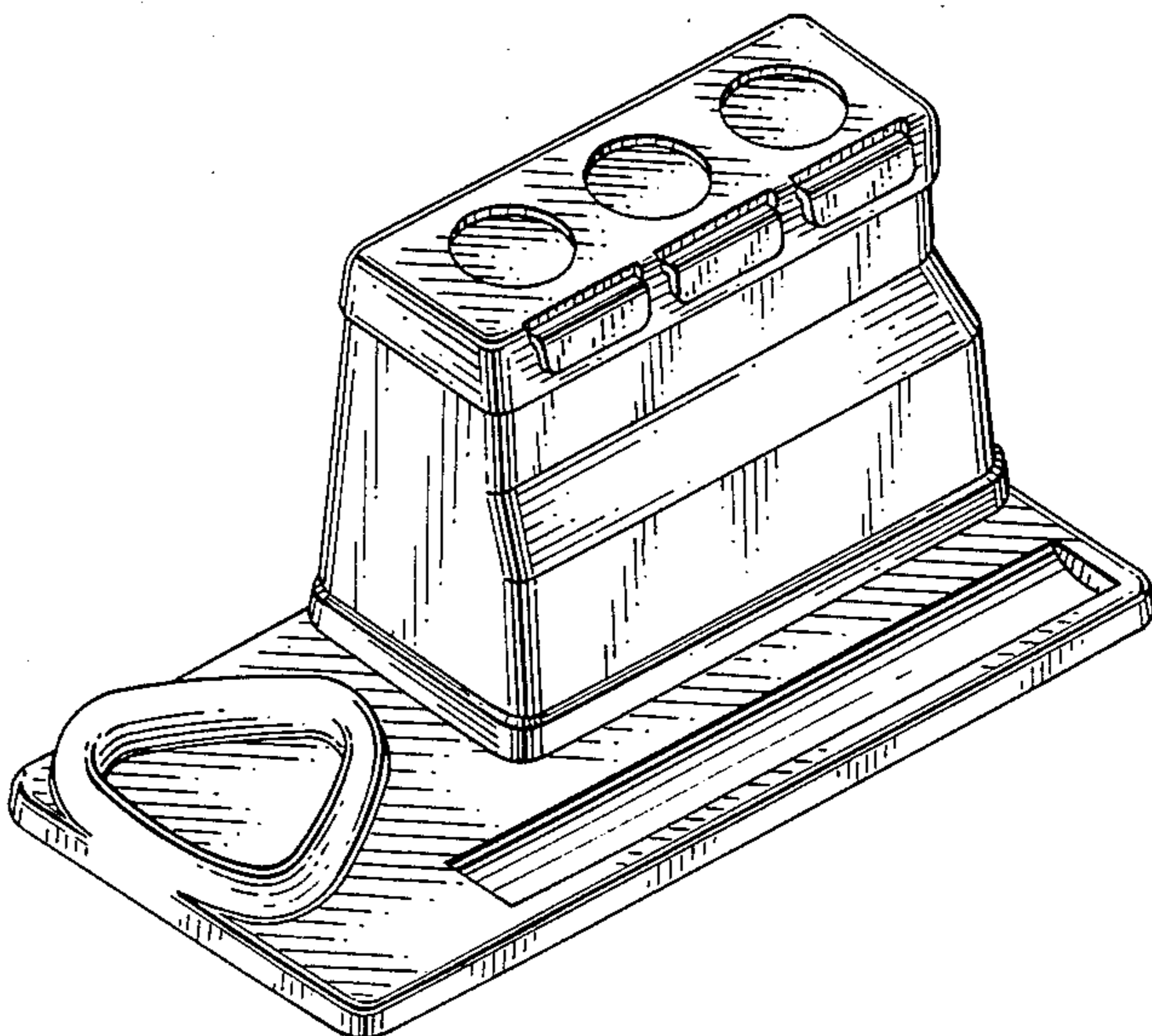
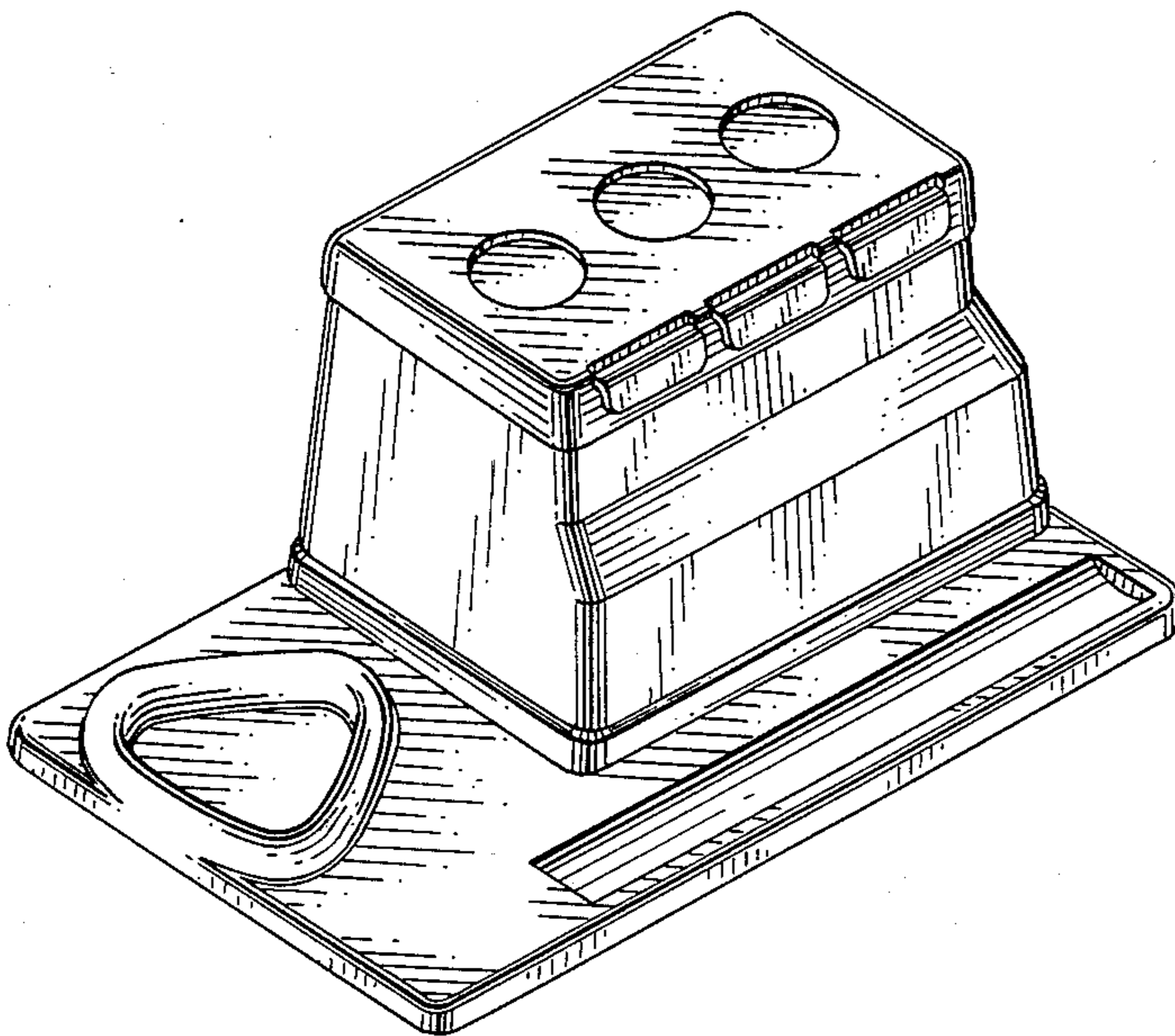
Primary Examiner—Wallace R. Burke
Assistant Examiner—Brian N. Vinson
Attorney, Agent, or Firm—Brady, O'Boyle & Gates

[57] CLAIM

The ornamental design for a combined toothbrush sanitizing-holder and tray, as shown and described.

DESCRIPTION

FIG. 1 is a top, front and left side perspective view of a combined toothbrush sanitizing holder and tray showing my new design, the right side being substantially similar in appearance to that shown; FIG. 2 is a rear elevational view thereof; and FIG. 3 is a top, front and left side perspective view of an alternate embodiment thereof, the only difference residing in its depth.



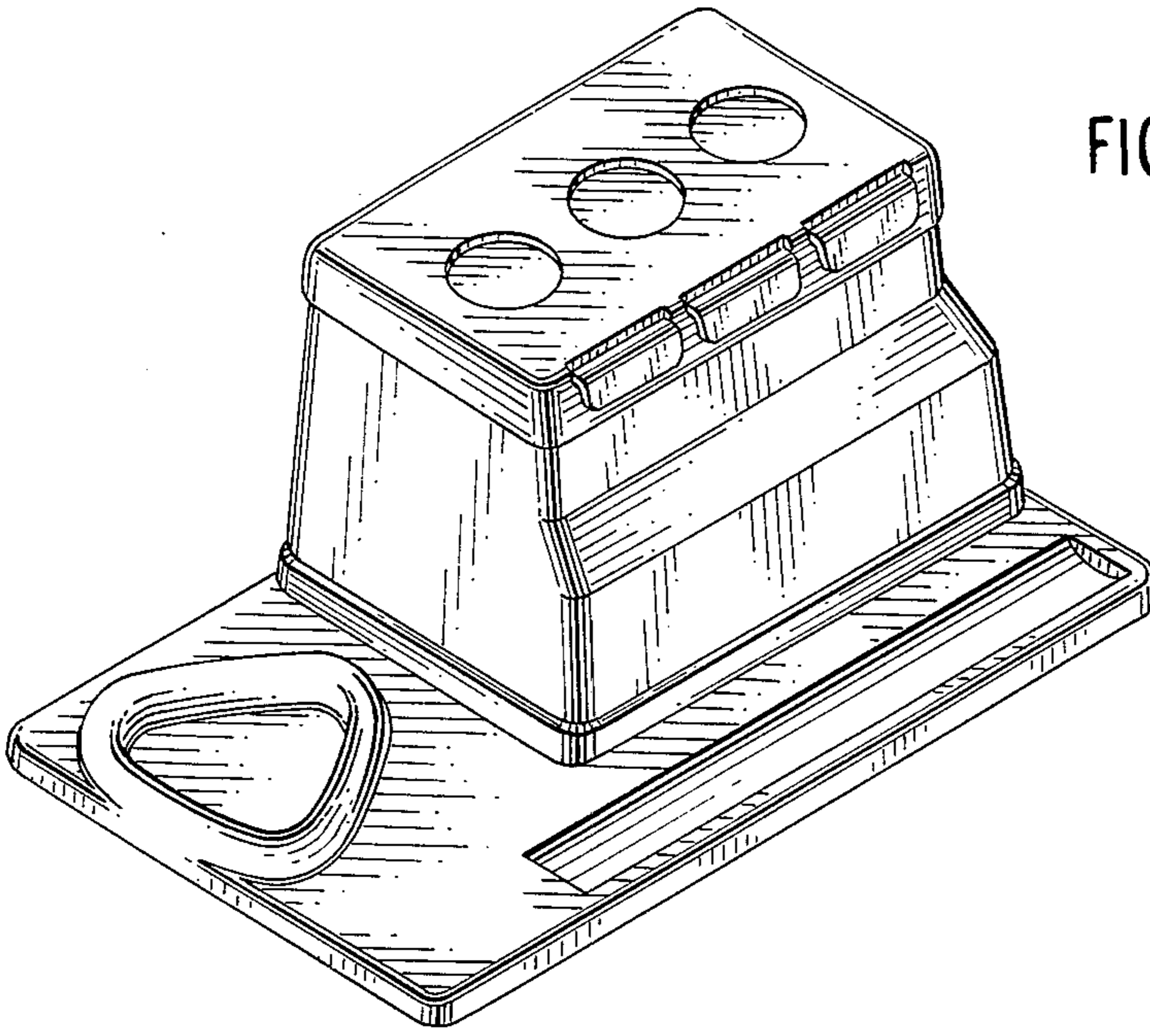


FIG. 1

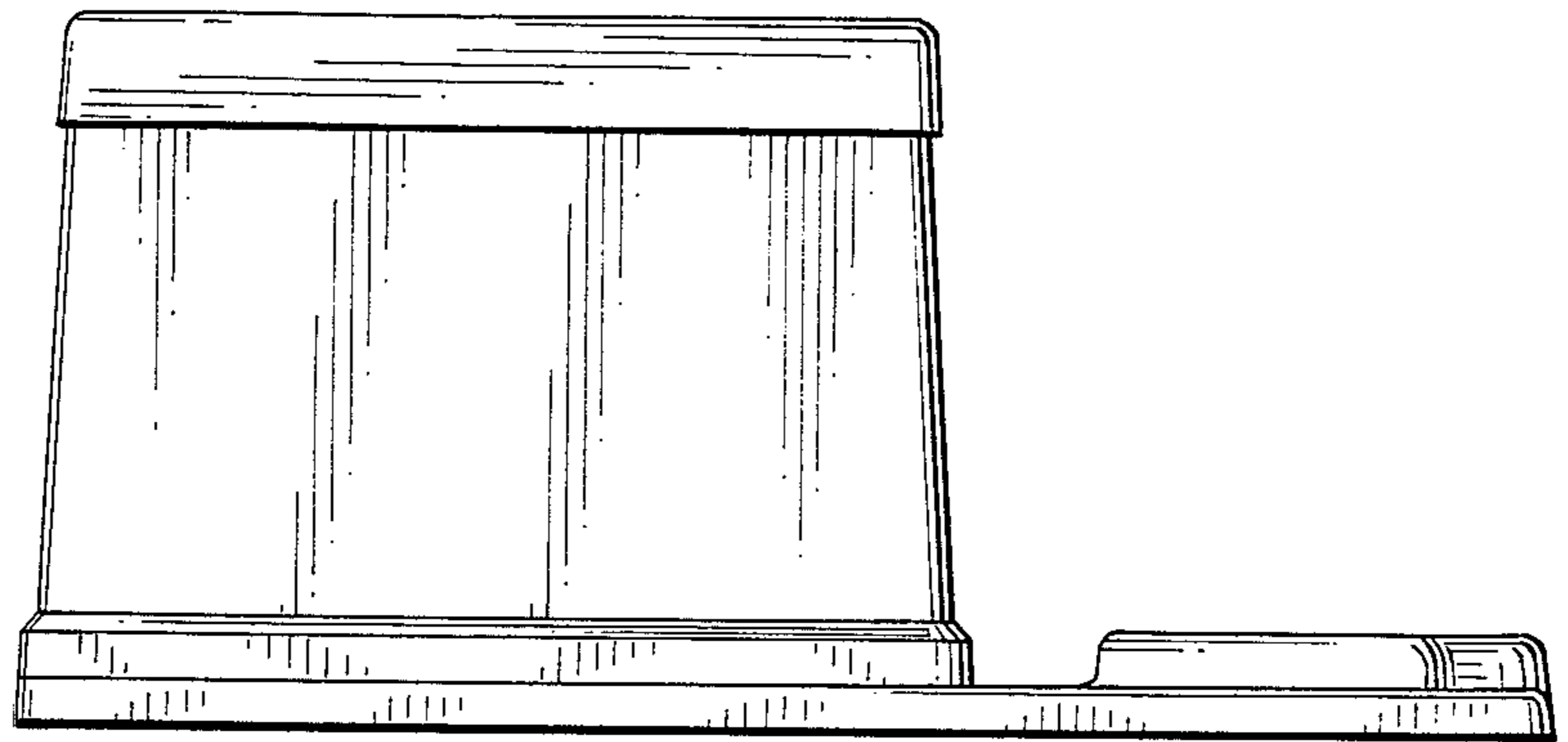


FIG. 2

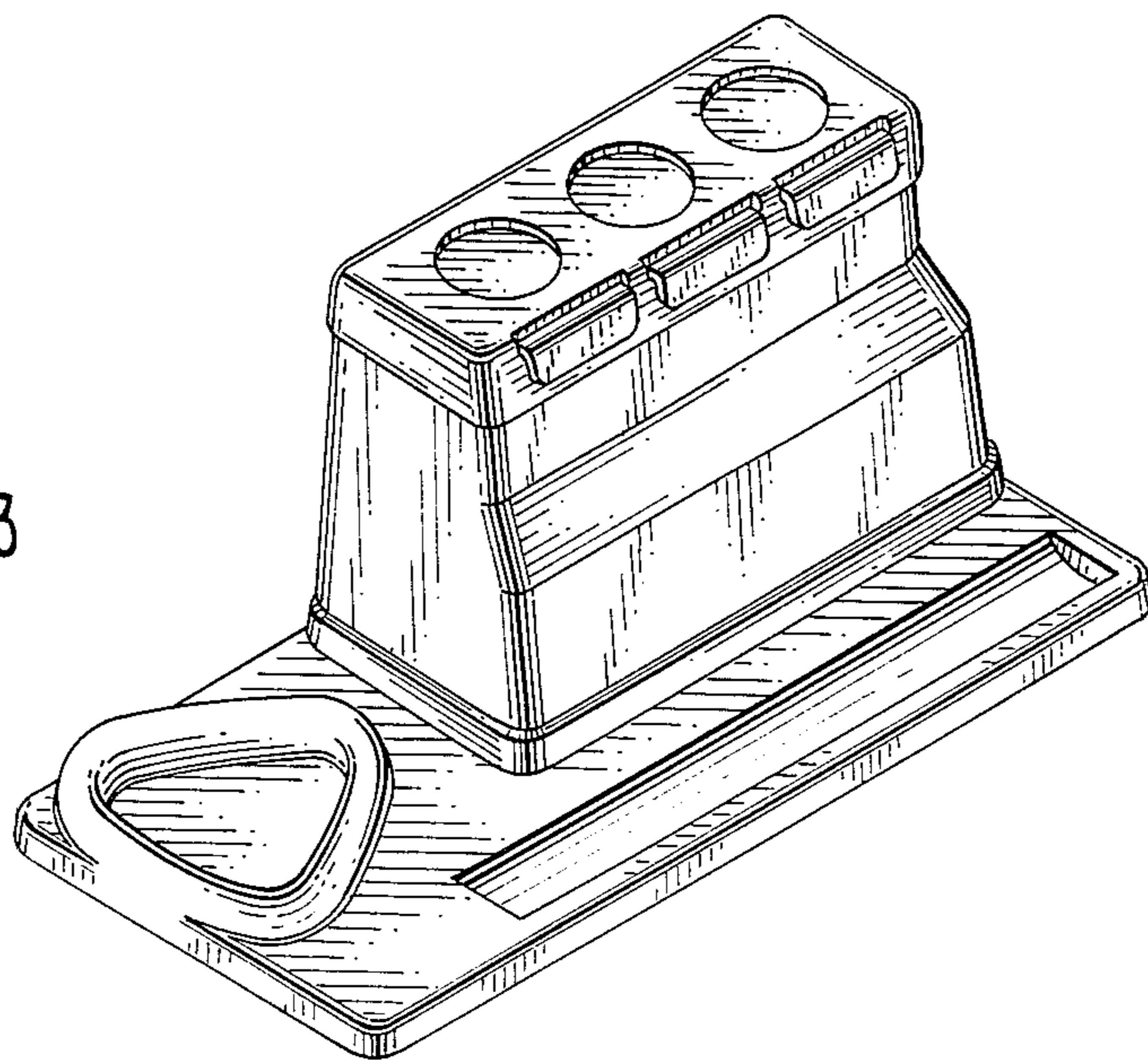


FIG. 3