

[54] SHOW CASE

[76] Inventor: Martin Otema, 51 Pine Drive, Scarborough, Ontario, Canada, M1M 2X6

[**] Term: 14 Years

[21] Appl. No.: 427,031

[22] Filed: Sep. 29, 1982

[52] U.S. Cl. D6/470

[58] Field of Search D6/167, 168, 172, 175, D6/158, 159, 160, 164, 166; 312/114, 117

[56] References Cited

U.S. PATENT DOCUMENTS

D. 247,079	1/1978	Otema	D6/172
2,271,121	1/1942	Gross	312/117
4,381,876	5/1983	Fenwick	312/114

OTHER PUBLICATIONS

Berg Store Fixtures by Berg. Co., p. 2; Showcase Combination, bottom of page.

"Display Fixture—A Specification Guide" by Lozier Store Fixtures p. 11; Showcases Laminated Series A, top left.

Lozier Store Fixture Binder Catalog, p. 1707; Rear Storage Cabinet, 300 Series, Style "A", top left.

Lozier Store Fixtures Binder Catalog, p. 1707; Rear Storage Cabinet, Series 500, Style "B", bottom right.

Primary Examiner—Carmen H. Vales

Attorney, Agent, or Firm—Sughrue, Mion, Zinn, Macpeak, and Seas

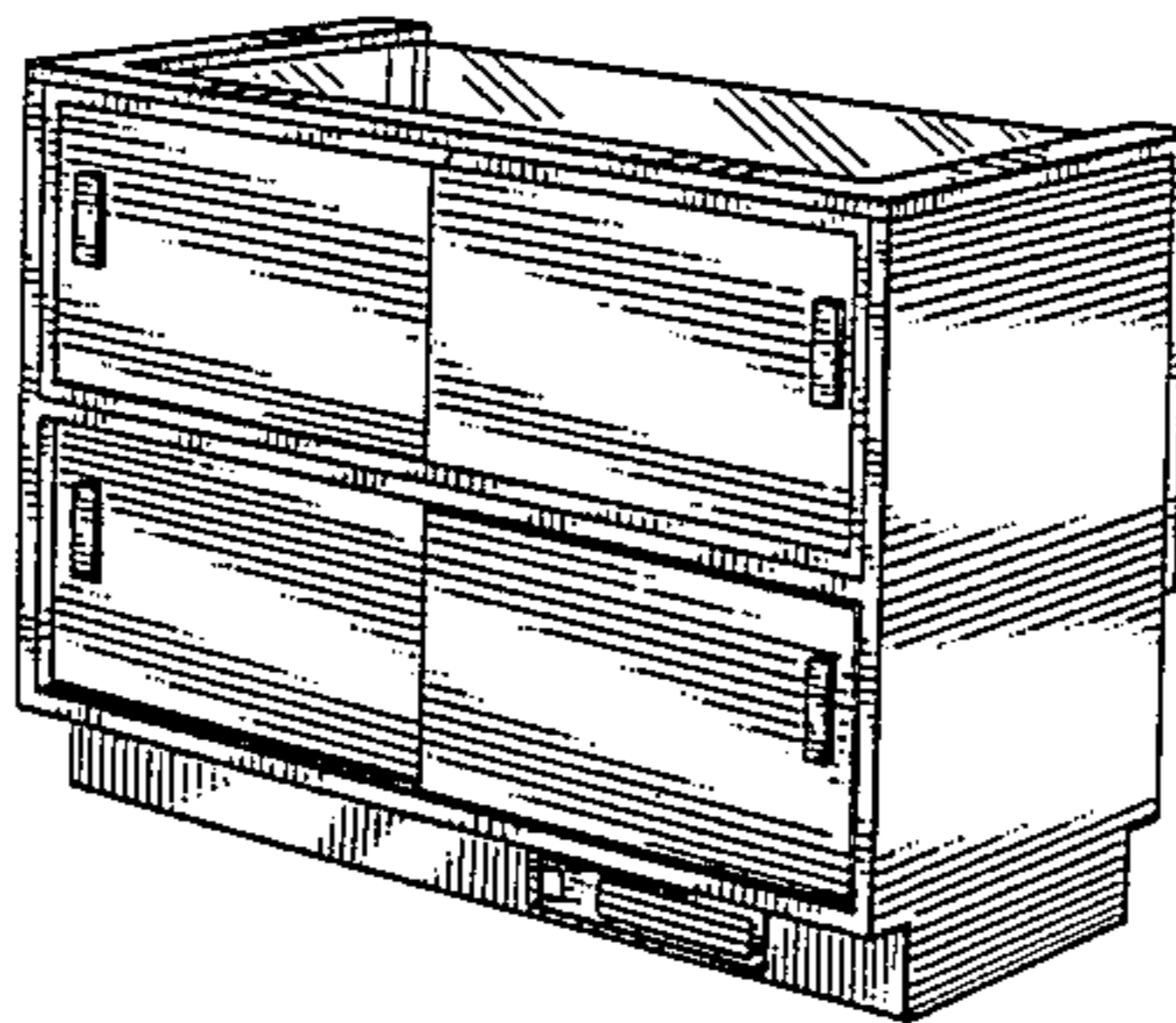
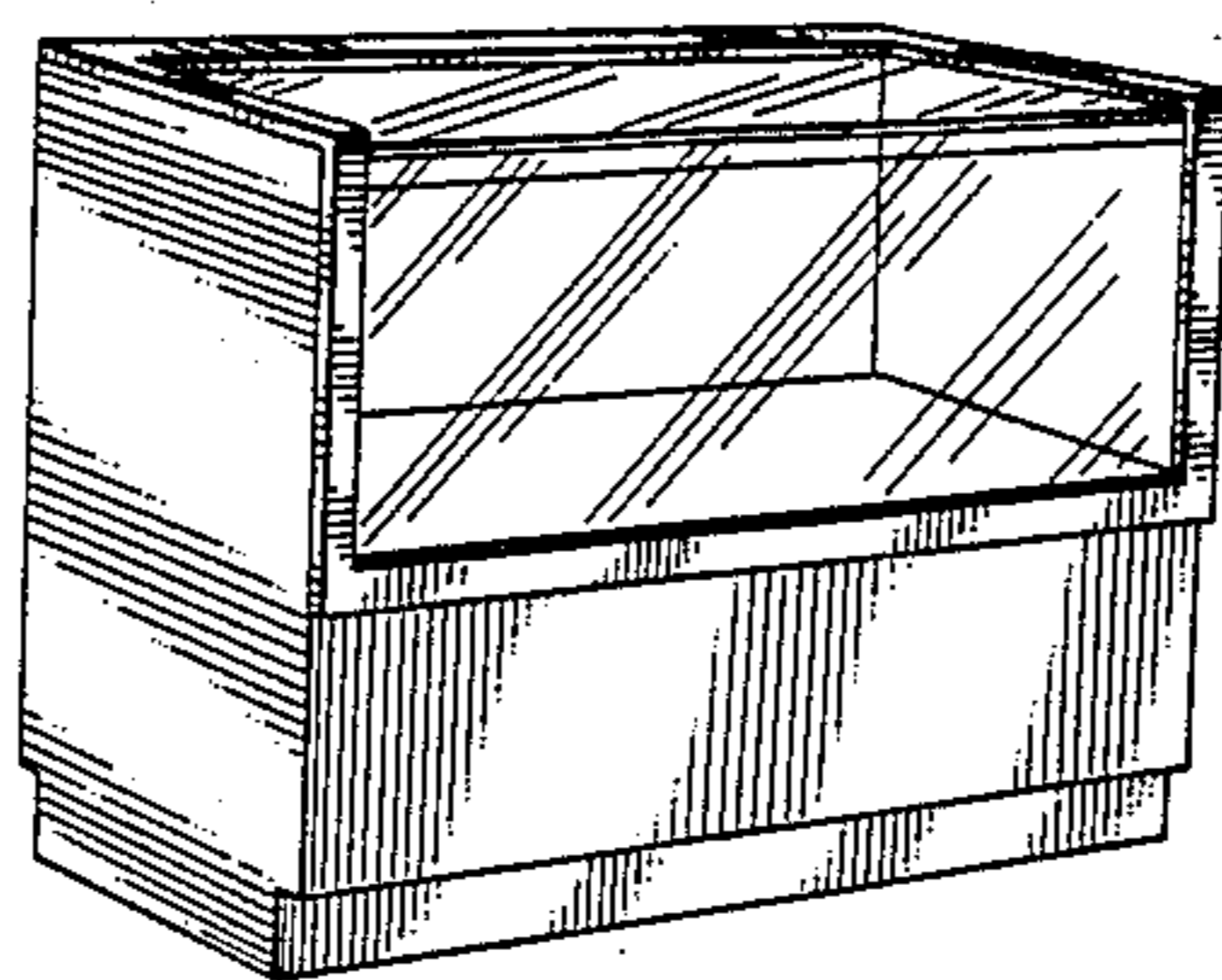
[57] CLAIM

The ornamental design for a show case, as shown and described.

DESCRIPTION

FIG. 1 is a front perspective view of a showcase showing my new design; and

FIG. 2 is a rear perspective view thereof.



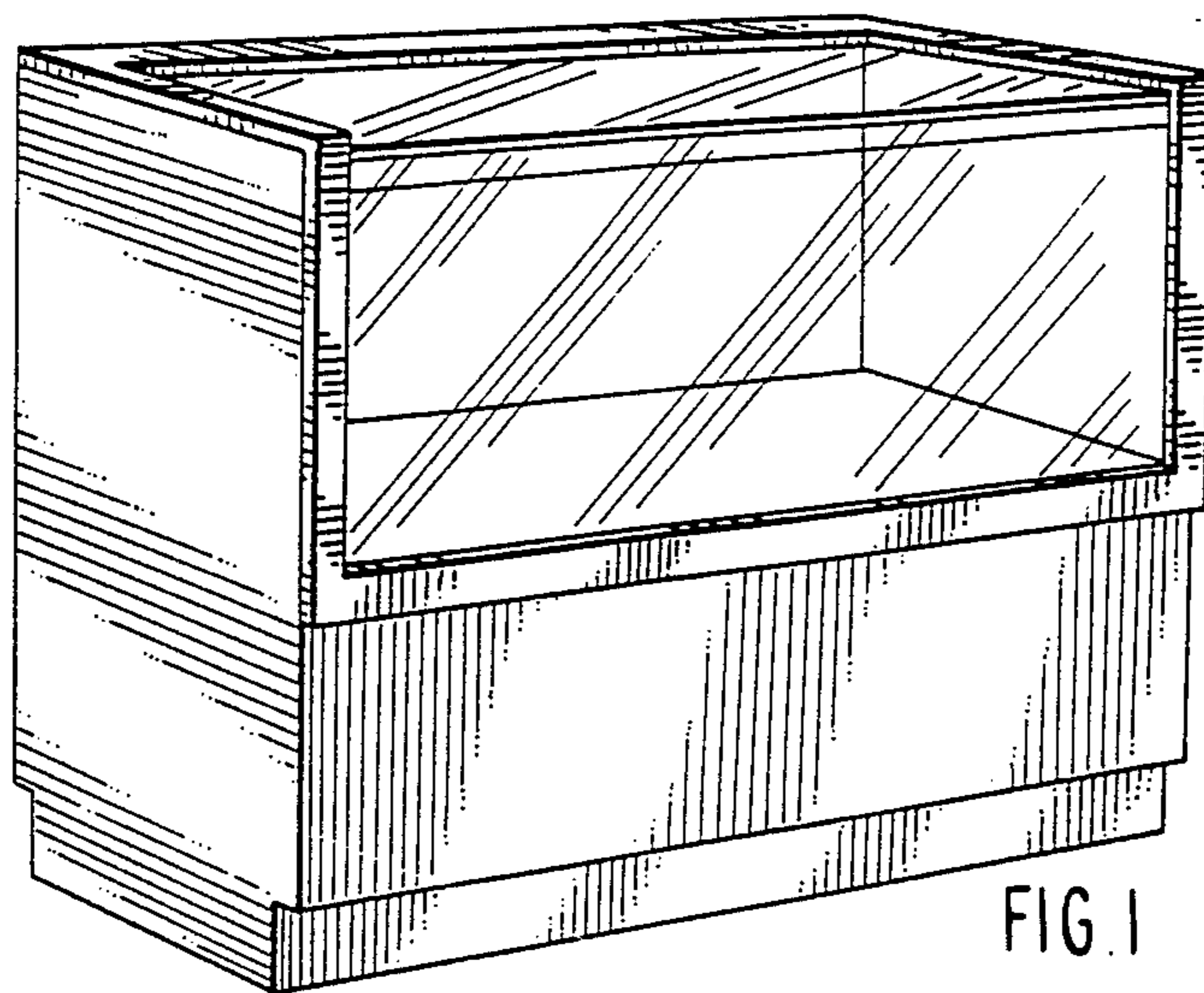


FIG. 1

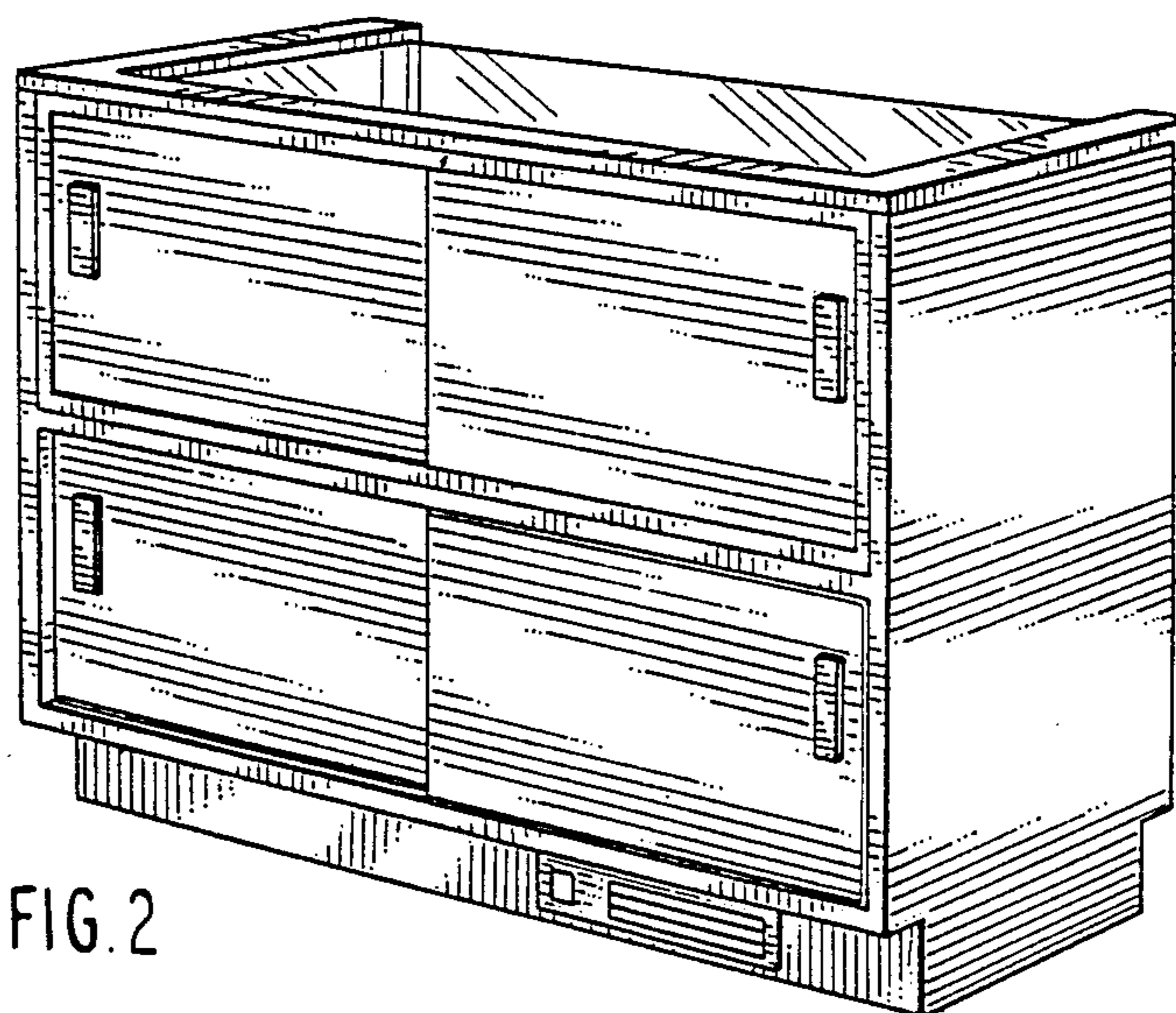


FIG. 2