

# United States Patent [19]

Hughes et al.

[11] Patent Number: **Des. 301,278**

[45] Date of Patent: **\*\* May 23, 1989**

[54] **FLUORESCENT LIGHTING FIXTURE**

[75] Inventors: **James S. Hughes; Joel T. Gundlach; Paul A. Reeder**, all of Columbus; **Herbert A. Fouke**, Newark, all of Ohio

[73] Assignee: **Manville Corporation**, Denver, Colo.

[\*\*] Term: **14 Years**

[21] Appl. No.: **8,456**

[22] Filed: **Jan. 28, 1987**

[52] U.S. Cl. .... **D26/78**

[58] Field of Search ..... **D26/72, 92; 362/217, 362/222, 223, 404, 408, 362, 363, 147**

[56] **References Cited**

**U.S. PATENT DOCUMENTS**

D. 127,374 5/1941 Jordan ..... D26/76

D. 150,735 8/1948 Schwartz ..... D26/78  
2,715,449 8/1955 Lemmerman et al. .... 362/217 X  
2,963,251 12/1960 Fuss ..... 362/404 X

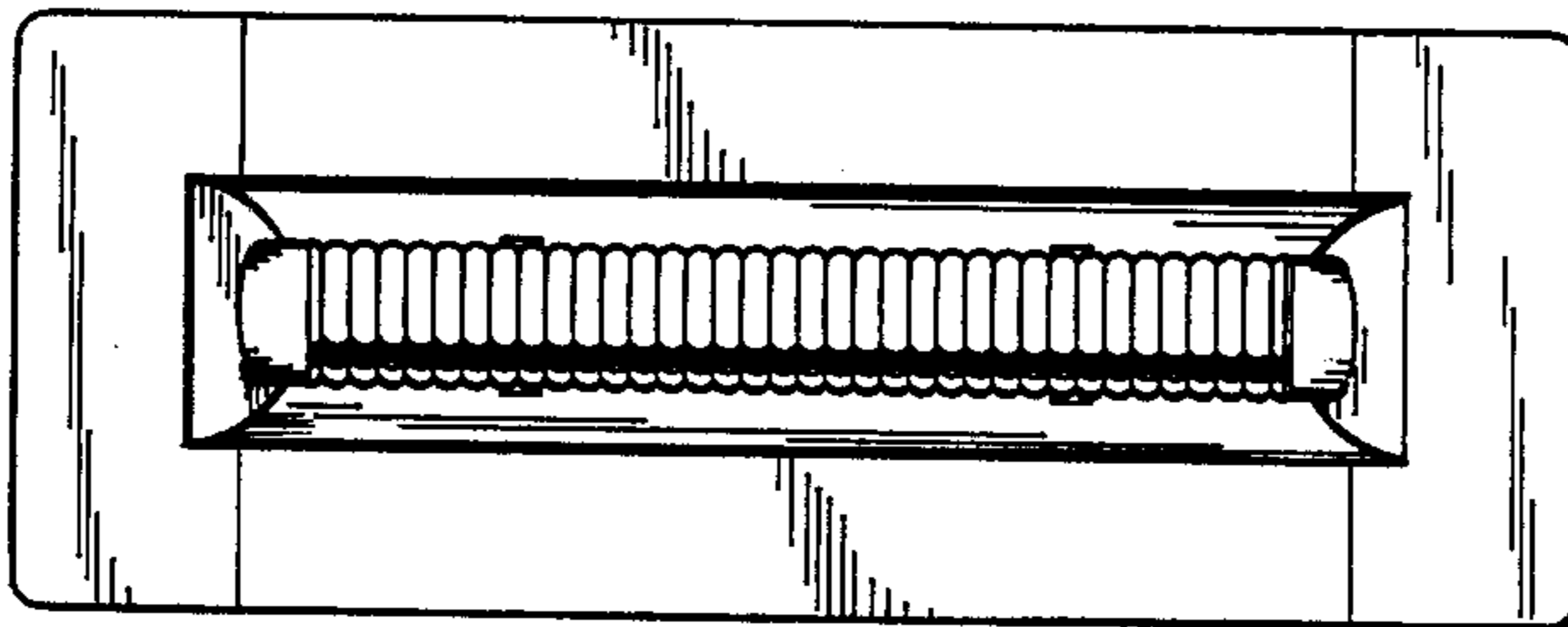
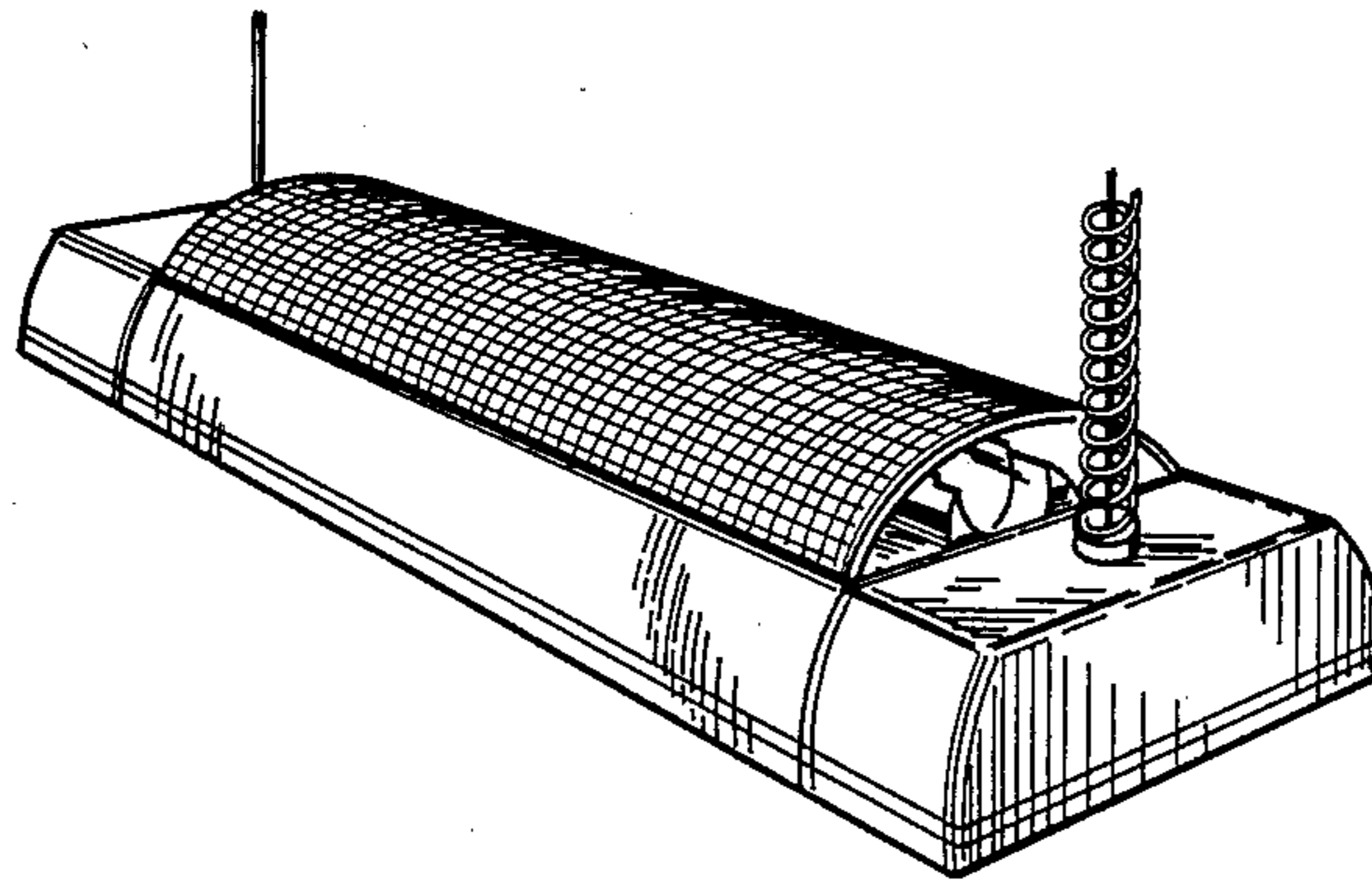
*Primary Examiner*—Susan J. Lucas  
*Attorney, Agent, or Firm*—John D. Lister; Cornelius P. Quinn

[57] **CLAIM**

The ornamental design for a fluorescent lighting fixture, as shown and described.

**DESCRIPTION**

FIG. 1 is a bottom perspective view of a fluorescent lighting fixture showing our new design; FIG. 2 is a top perspective view thereof; FIG. 3 is a bottom plan view thereof; FIG. 4 is a top plan view thereof; FIG. 5 is an end elevational view thereof as seen from the right hand end of FIG. 1.



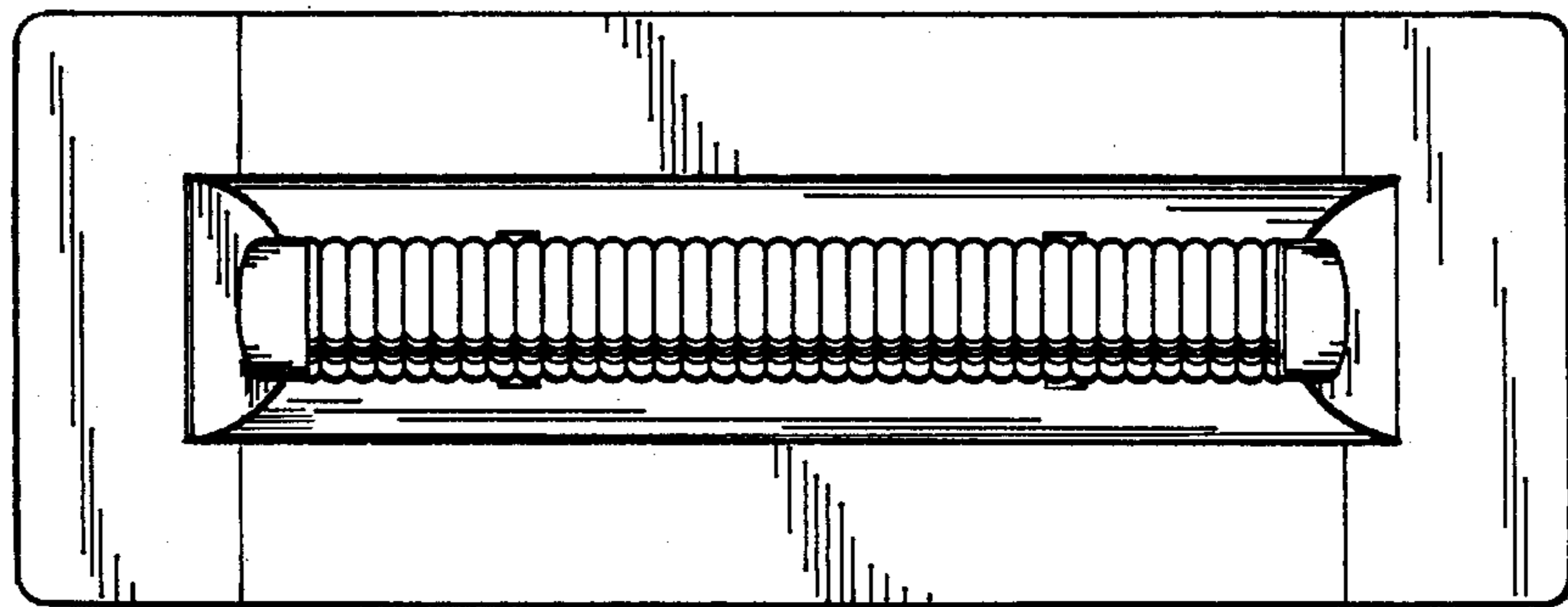
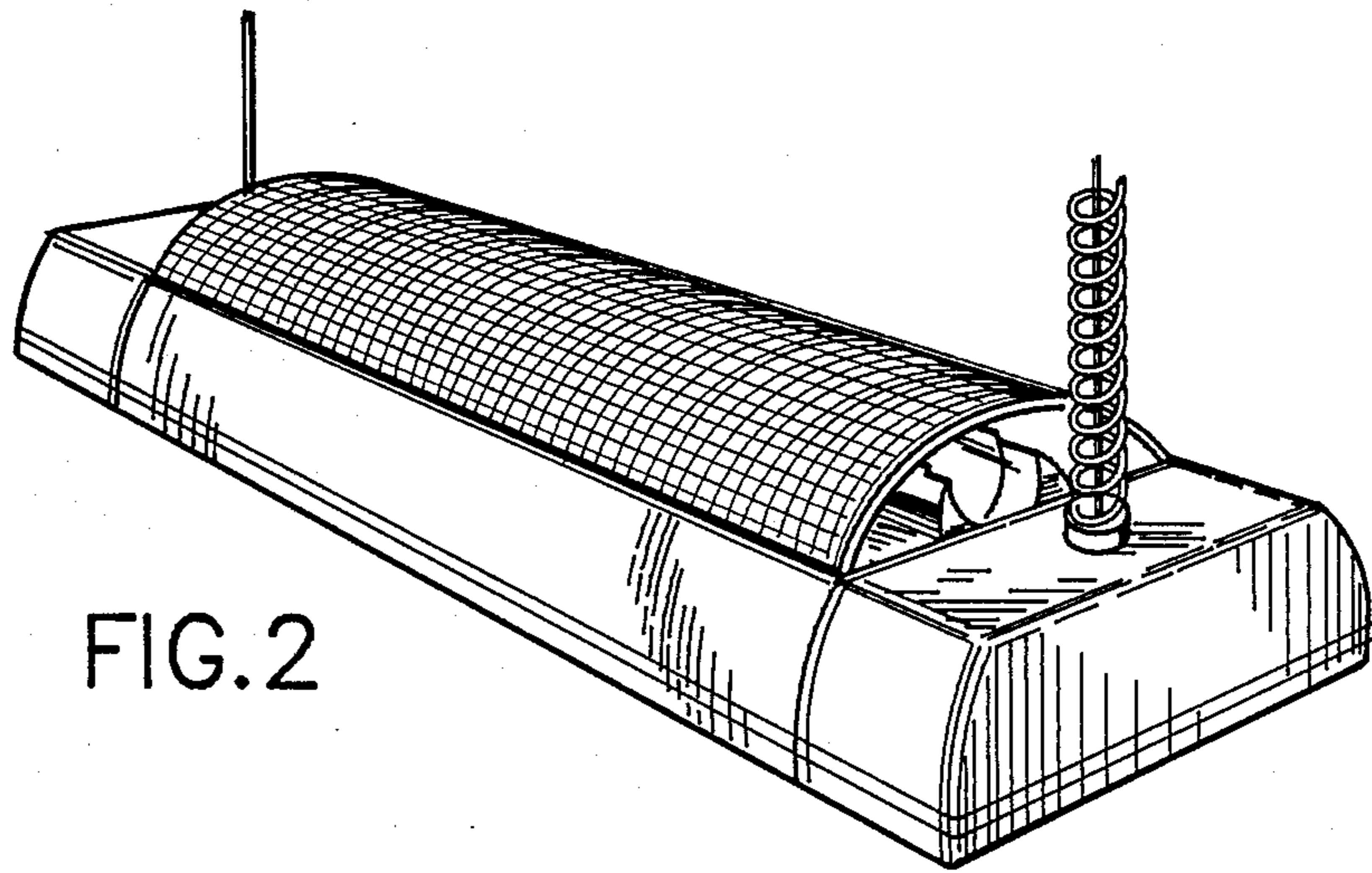
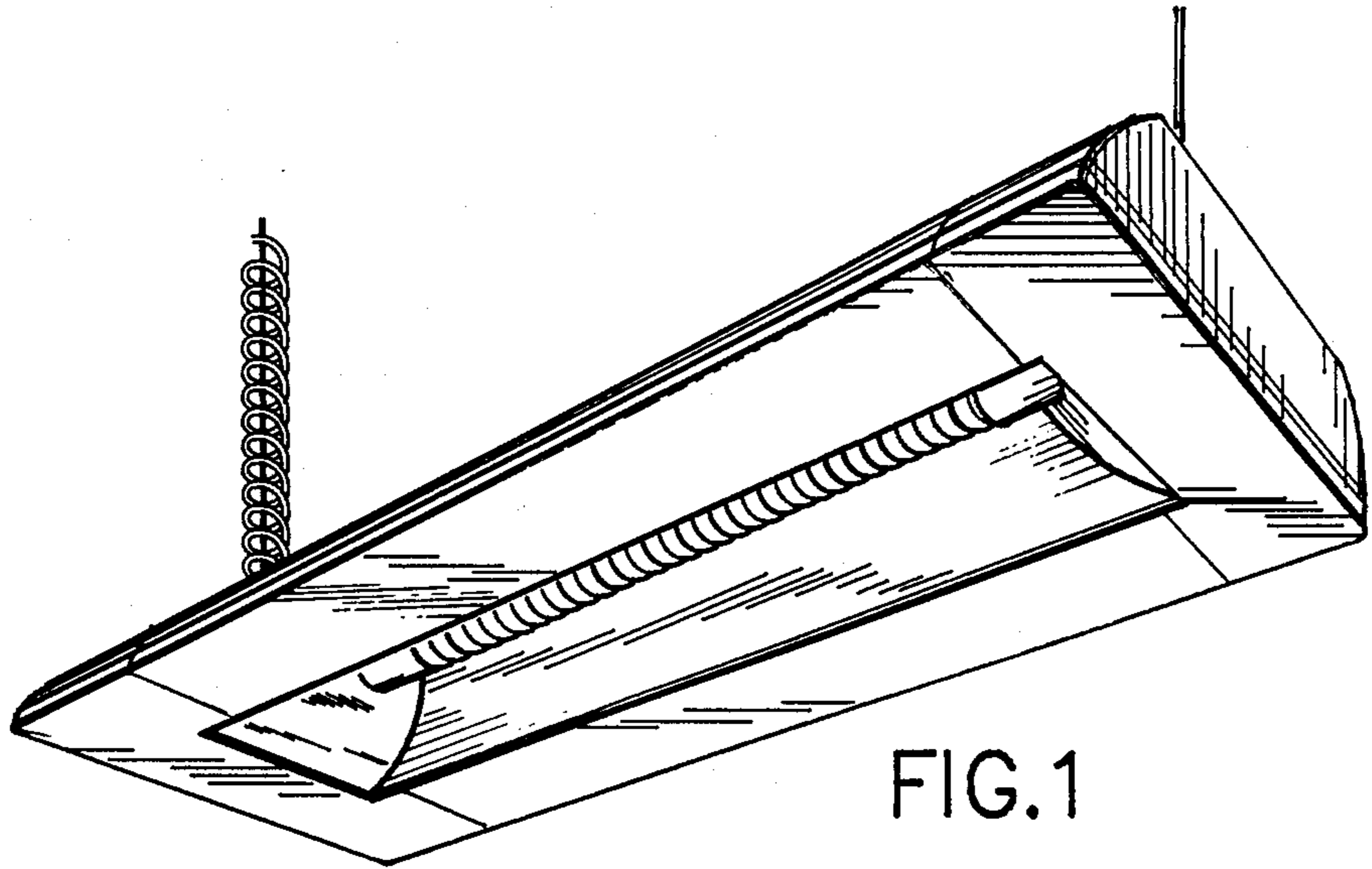


FIG. 3

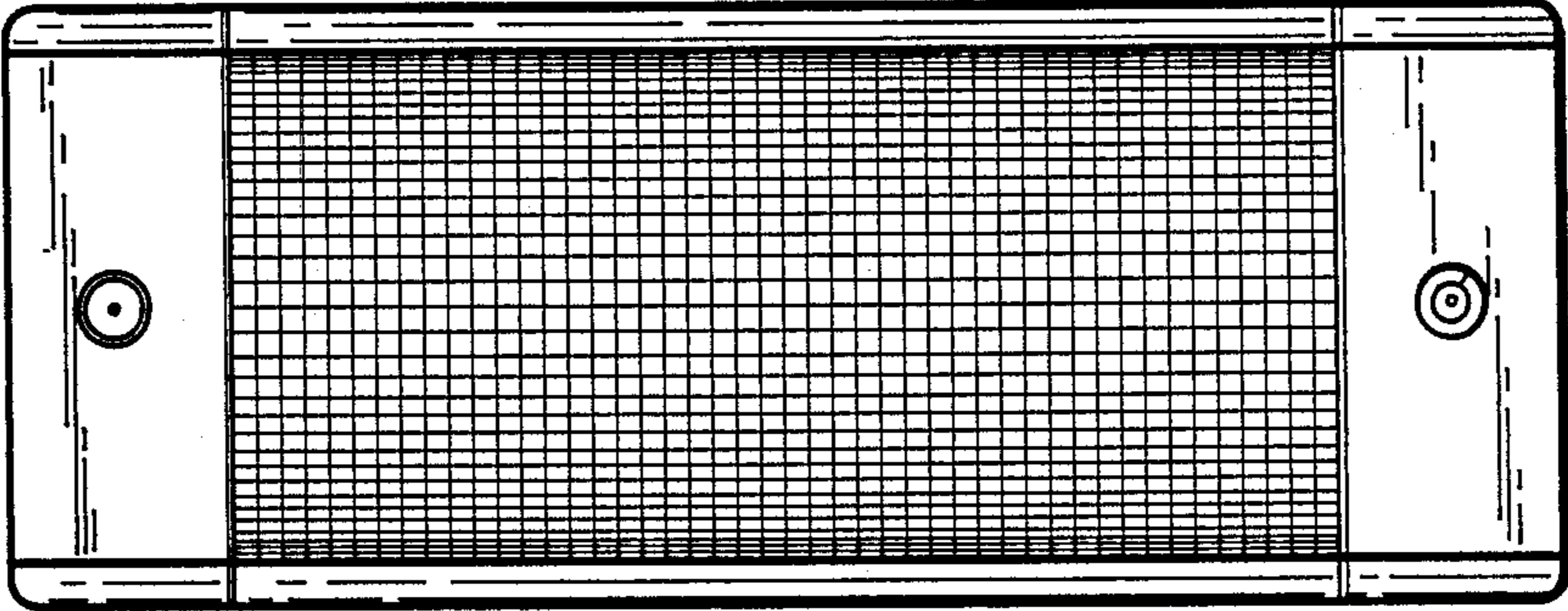


FIG. 4

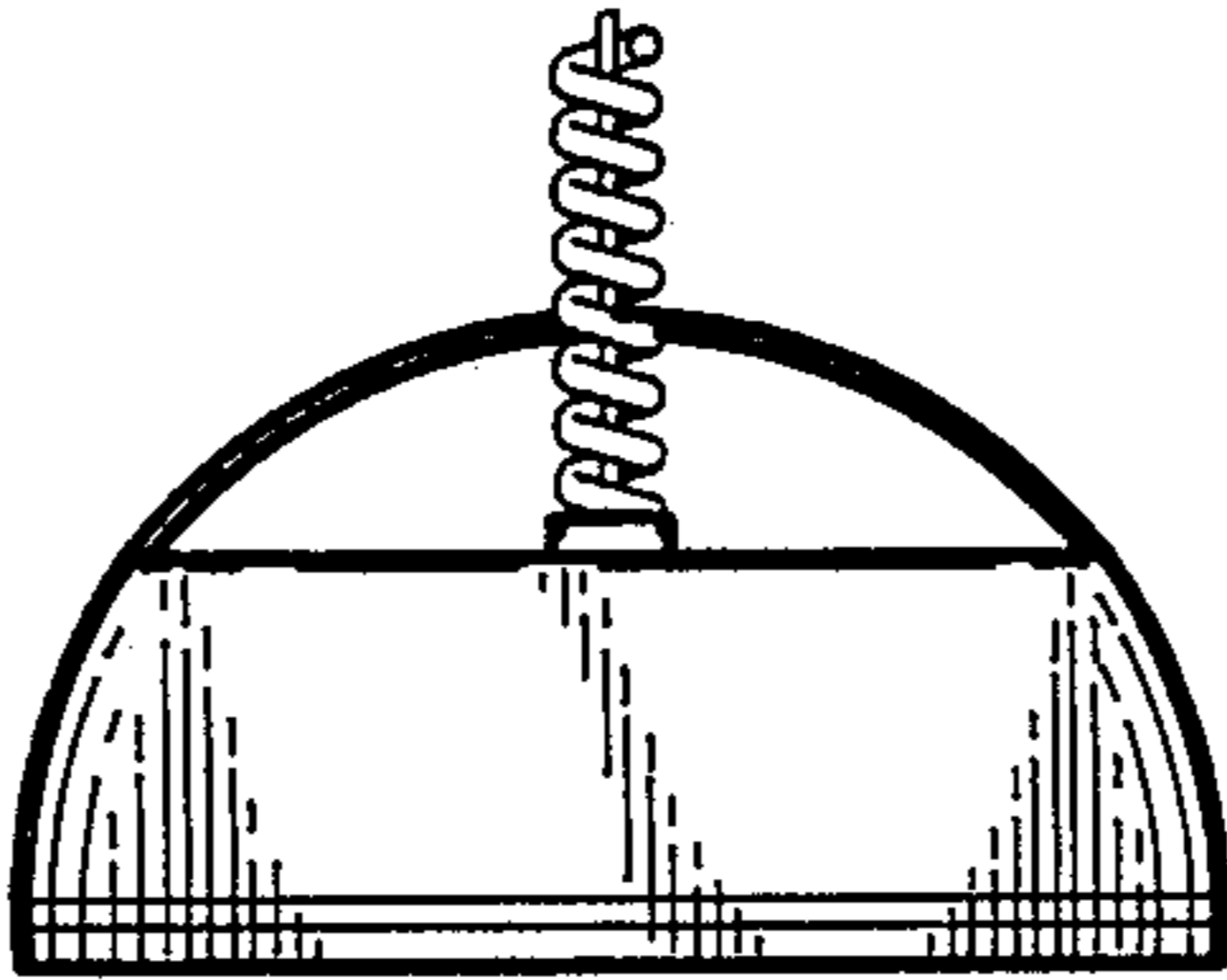


FIG. 5