

- [54] **COMBINED WATER CONTROL HANDLE AND ESCUTCHEON**
- [75] **Inventor: Herta A. Bengtsson, Molle, Sweden**
- [73] **Assignee: American Standard Inc., New York, N.Y.**
- [**] **Term: 14 Years**
- [21] **Appl. No.: 34,188**
- [22] **Filed: Jun. 1, 1987**

D. 200,390	2/1965	Niemann	D23/238
D. 219,779	1/1971	Tiller	D23/238
D. 219,780	1/1971	Niemann	D23/238
D. 271,705	12/1983	Fabian	D23/254
D. 272,082	1/1984	Fabian	D23/254
D. 285,245	8/1986	Ogilvie	D23/254
3,920,043	11/1975	Fowell	137/625.4 X
4,103,709	8/1978	Fischer	137/801 X
4,157,099	6/1979	Delker et al.	137/625.17
4,513,781	4/1985	Nikolayezik	137/625.41
4,522,231	6/1985	Bergmann	137/625.17
4,552,171	11/1985	Ferrell et al.	4/192 X

Related U.S. Application Data

[62] Division of Ser. No. 777,477, Sep. 18, 1985.

[30] **Foreign Application Priority Data**

Apr. 16, 1985 [DE] Fed. Rep. of
 Germany 20/MR/2048

[52] **U.S. Cl. D23/254**

[58] **Field of Search D23/250-254;**
 4/191, 192; 137/603, 606, 801

[56] **References Cited**

U.S. PATENT DOCUMENTS

D. 186,422	10/1959	Kohler	D23/254
D. 193,757	10/1962	Armstrong	D23/238
D. 193,922	10/1962	Ross et al.	D23/238

Primary Examiner—James R. Largen

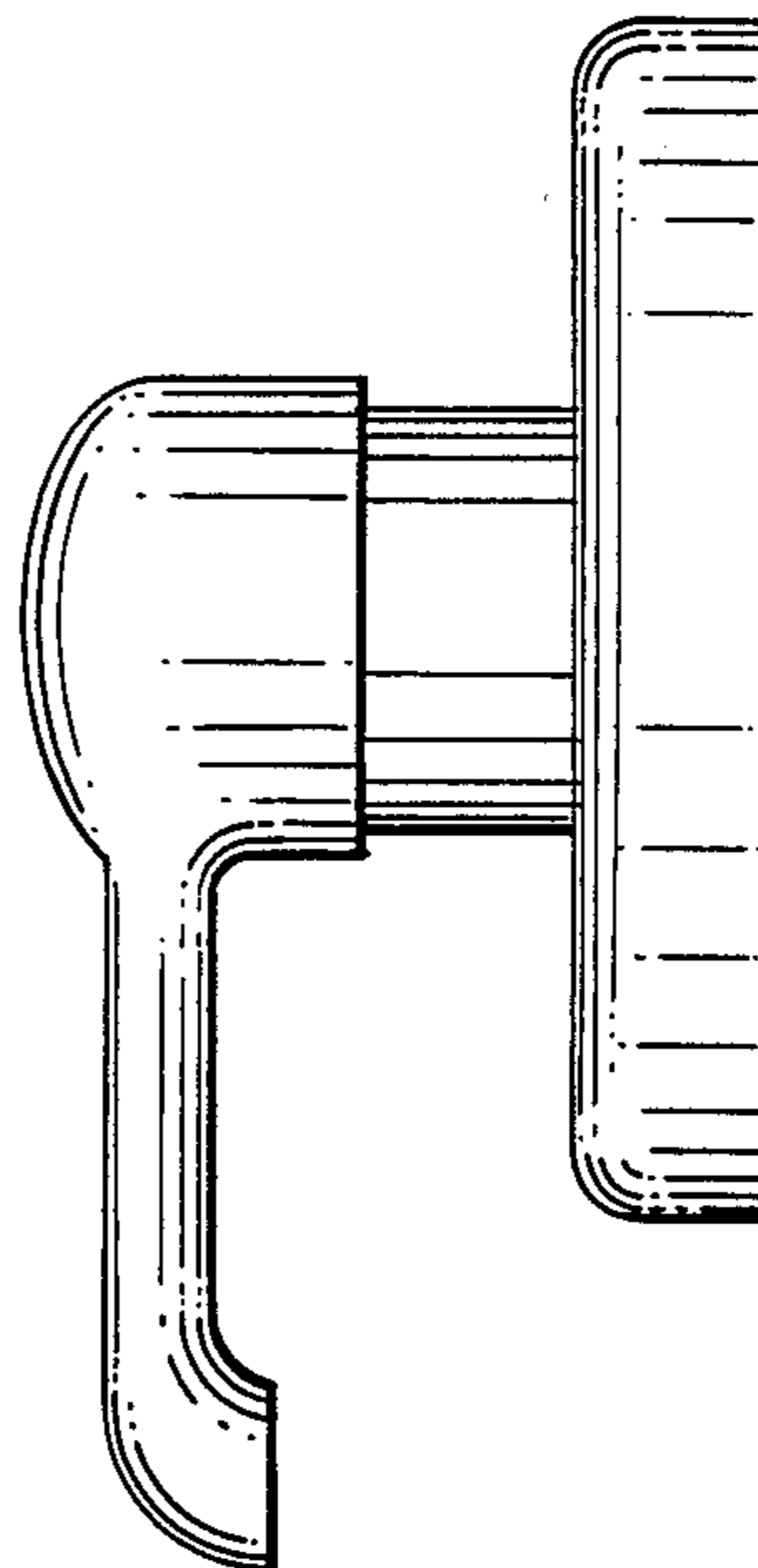
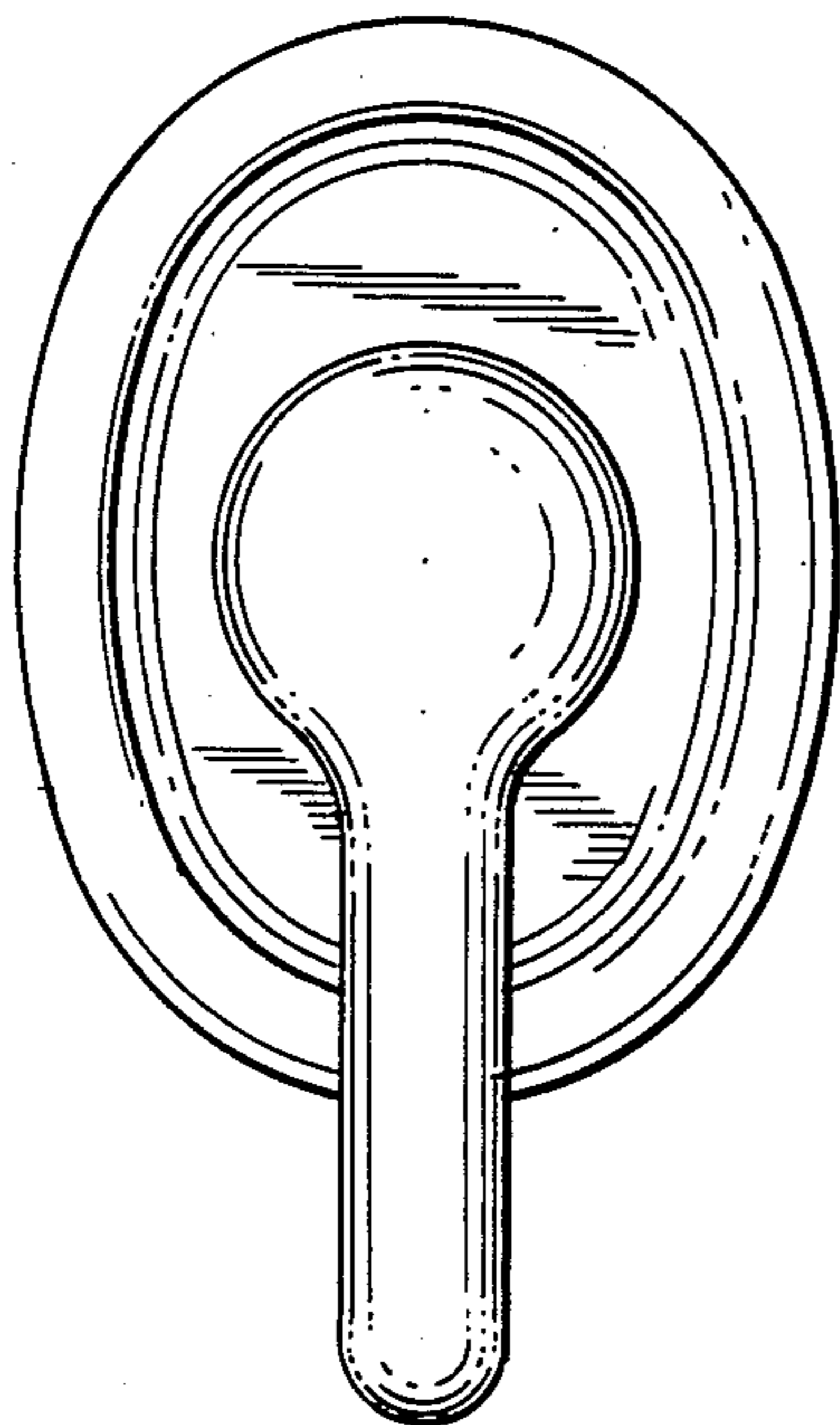
Attorney, Agent, or Firm—James J. Salerno, Jr.; Robert G. Crooks; John P. Sinnott

[57] **CLAIM**

The ornamental design for a combined water control handle and escutcheon, as shown and described:

DESCRIPTION

FIG. 1 is a front elevational view of a combined water control handle and escutcheon showing my new design; FIG. 2 is a right side elevational view thereof, the left side being a mirror image of the right side shown; FIG. 3 is a rear elevational view thereof; FIG. 4 is a top plan view thereof; and FIG. 5 is a bottom plan view thereof.



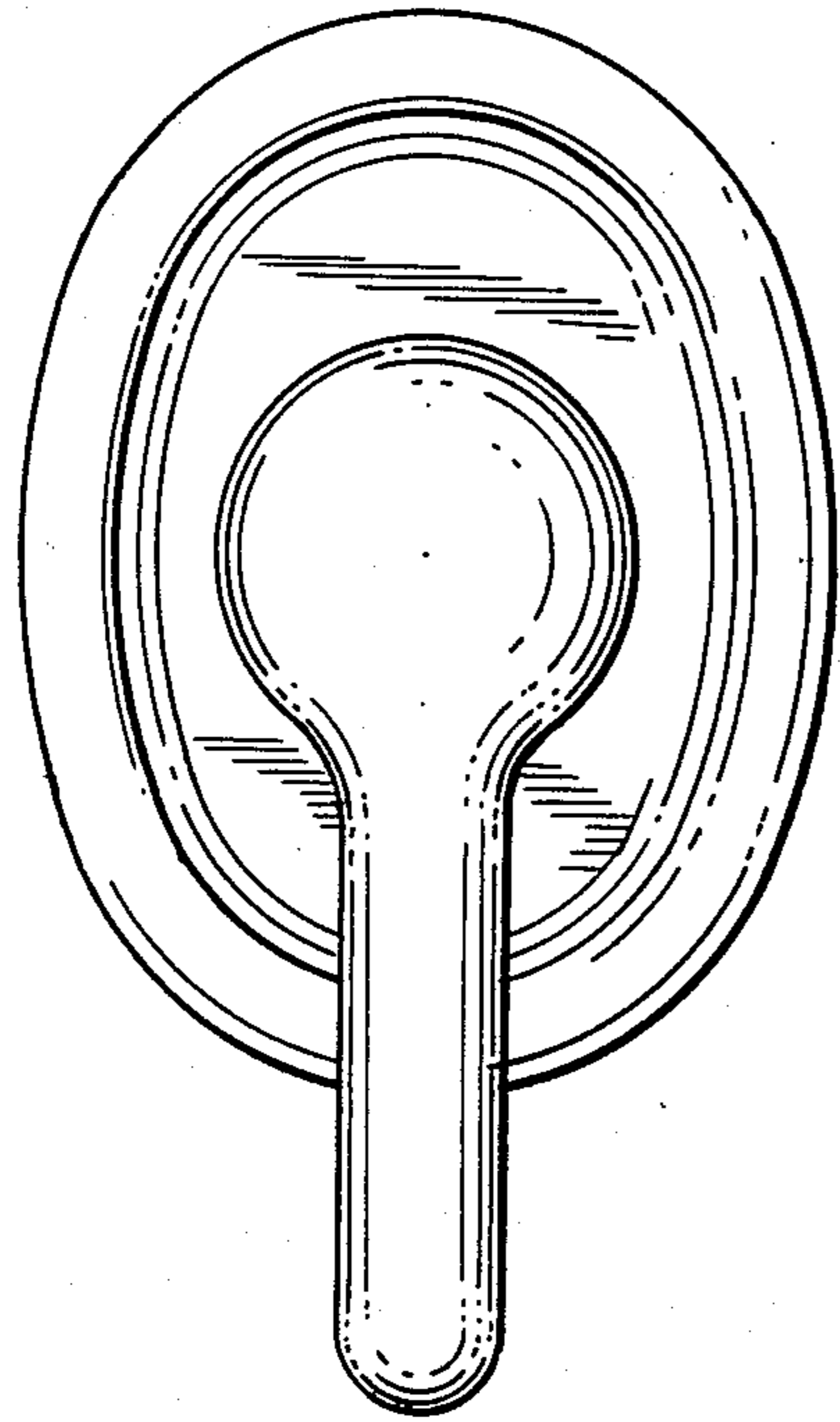


FIG. 1

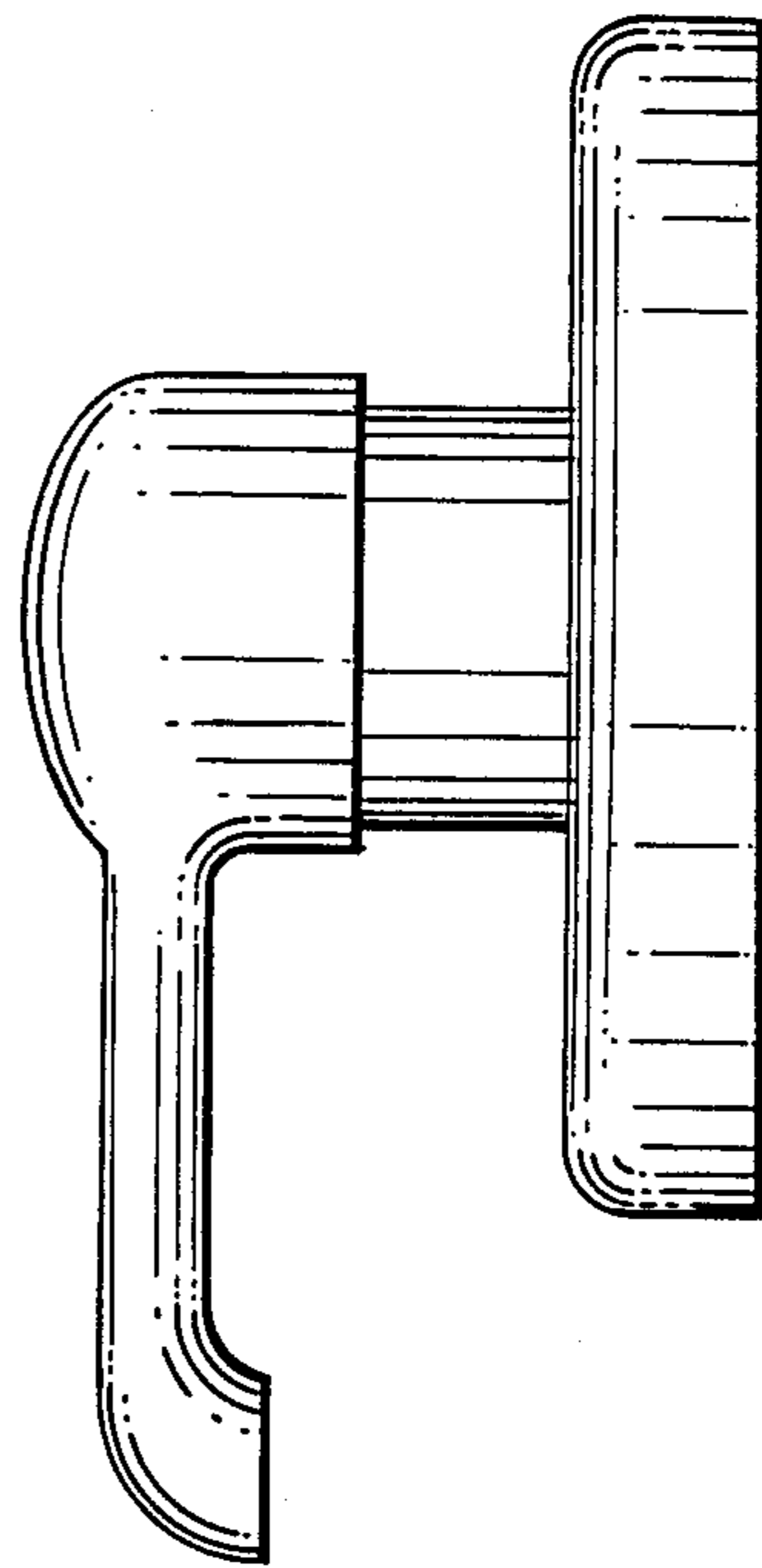


FIG. 2

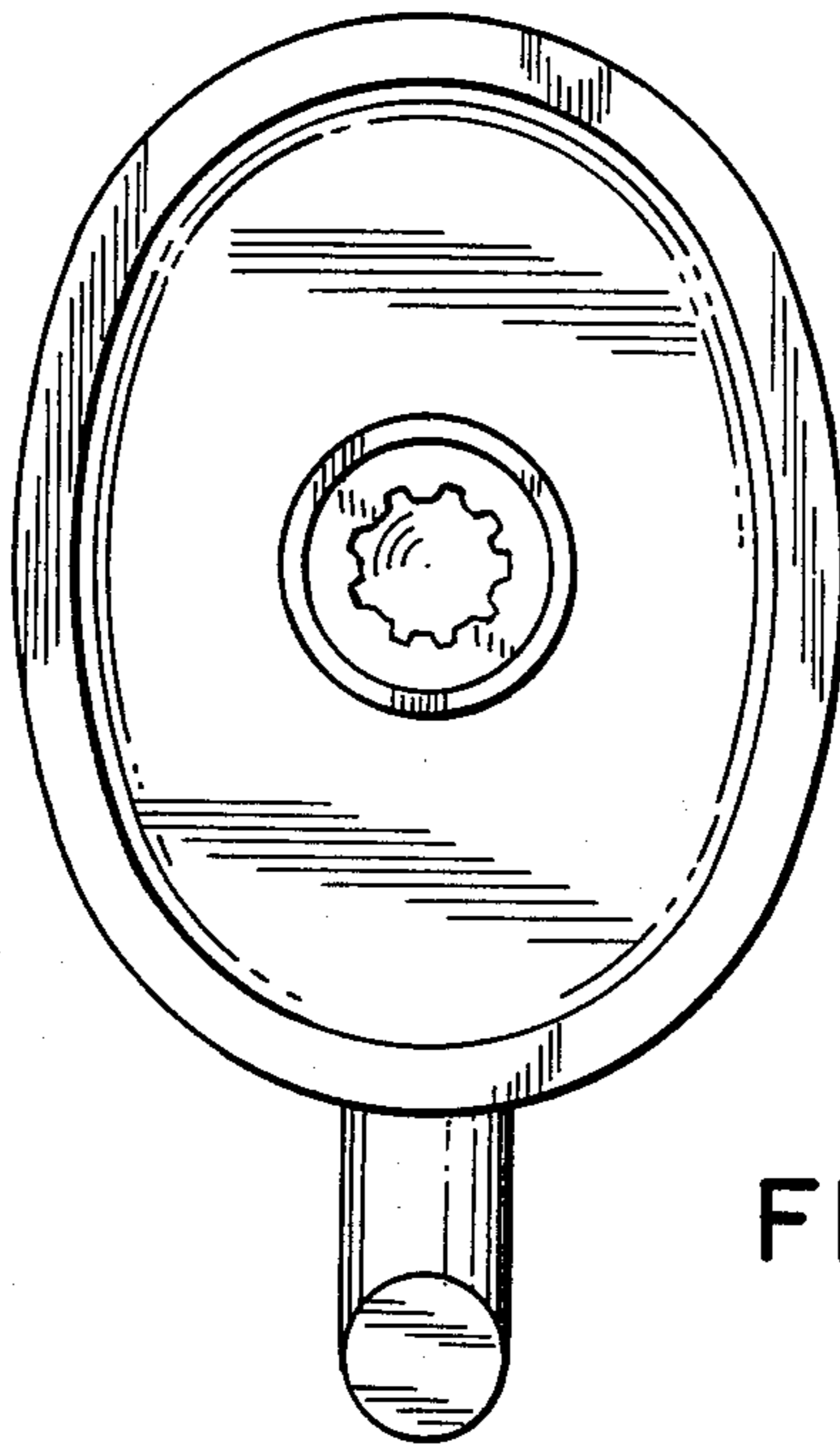


FIG. 3

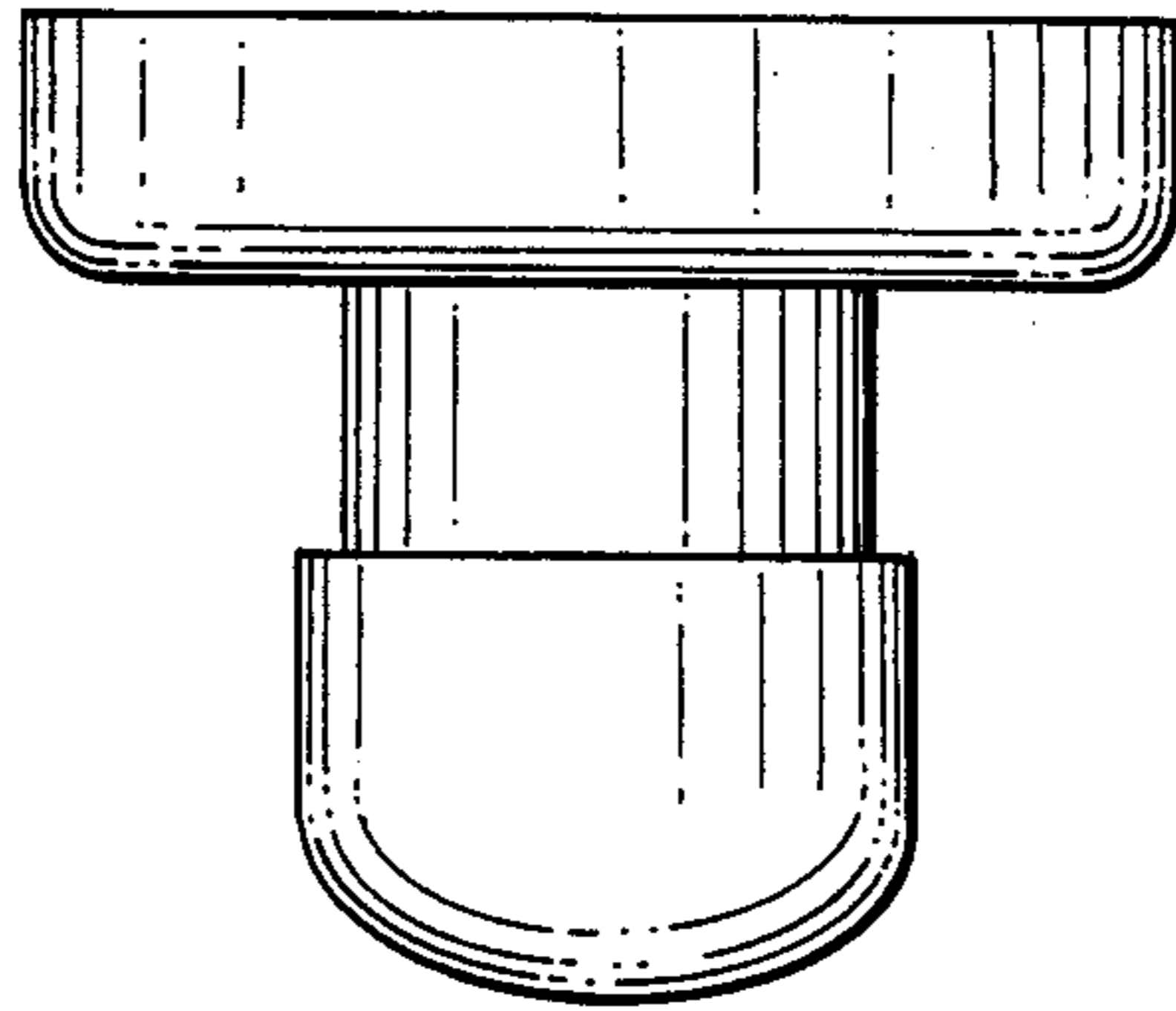


FIG. 4

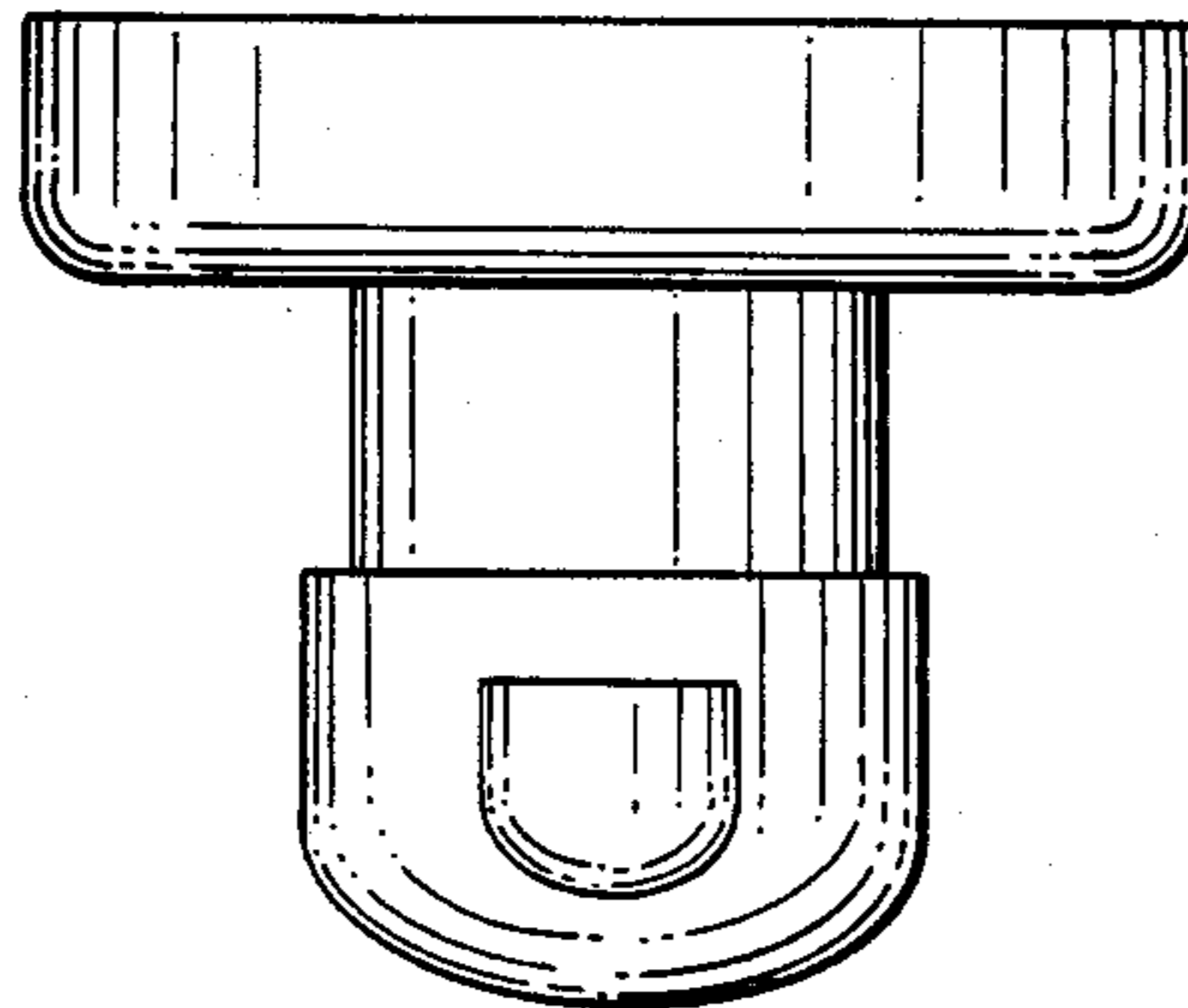


FIG. 5