

United States Patent [19]

Leonard

[11] Patent Number: Des. 301,273

[45] Date of Patent: ** May 23, 1989

[54] HAND HELD FLY SUCTION DEVICE

[76] Inventor: G. Darin Leonard, 726 Benchmark St., Raleigh, N.C. 27609

[**] Term: 14 Years

[21] Appl. No.: 884,741

[22] Filed: Jul. 10, 1986

[52] U.S. Cl. D22/122; D32/18

[58] Field of Search D22/122; D32/18;
43/110, 134, 139

[56] **References Cited**

U.S. PATENT DOCUMENTS

D. 220,969 6/1971 Rawson D32/18
2,340,944 2/1944 Easter 15/347

3,965,608 6/1976 Schuman 43/110
4,175,352 11/1979 Catlett 43/139

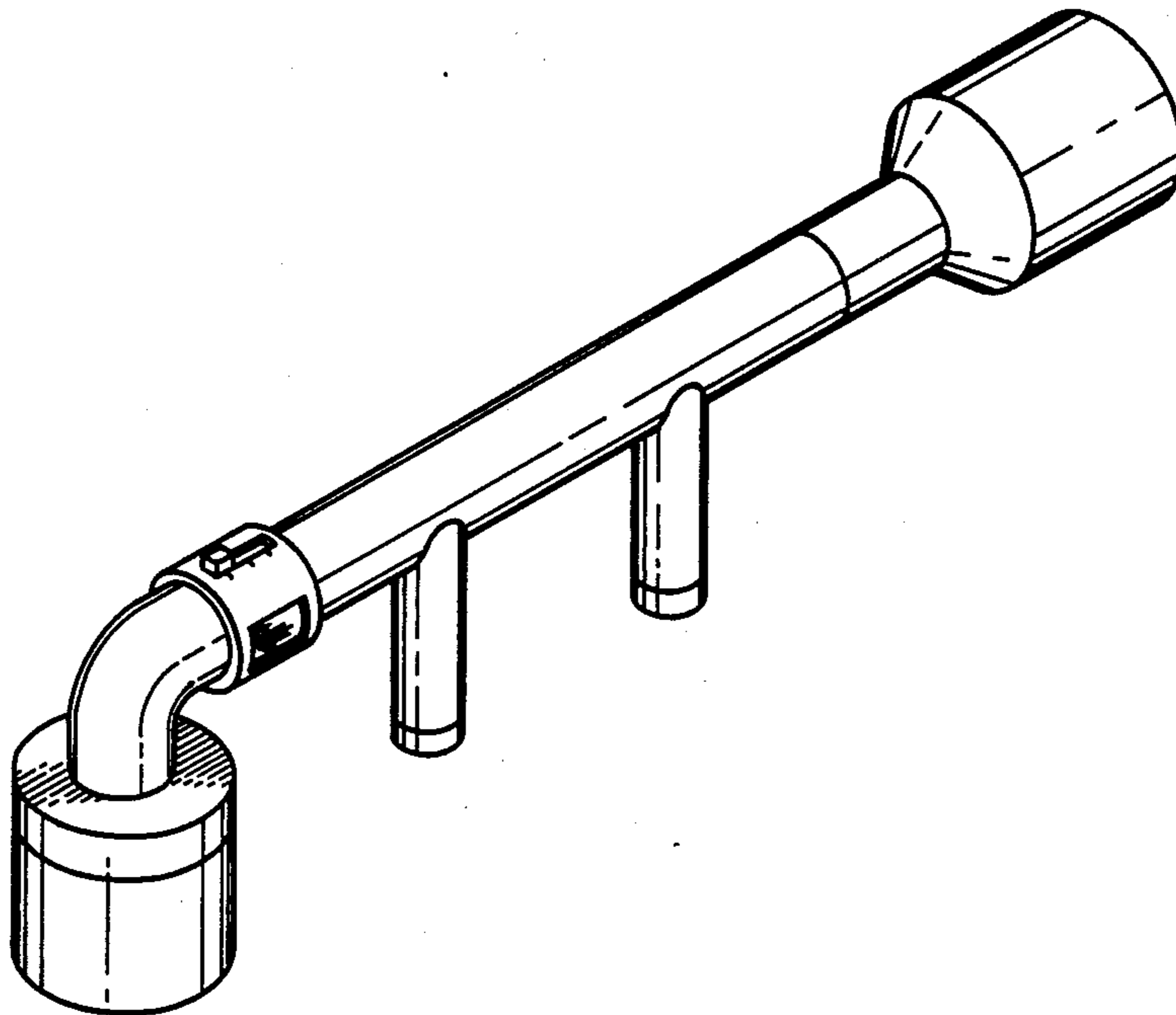
Primary Examiner—A. Hugo Word
Attorney, Agent, or Firm—Terry M. Gernstein

[57] **CLAIM**

The ornamental design for a hand held fly suction device, as shown and described.

DESCRIPTION

FIG. 1 is a perspective view of a hand held fly suction device showing my new design;
FIG. 2 is a left end view;
FIG. 3 is a right end view;
FIG. 4 is a top view; and
FIG. 5 is a further perspective view of my fly inhaler in an extended position.



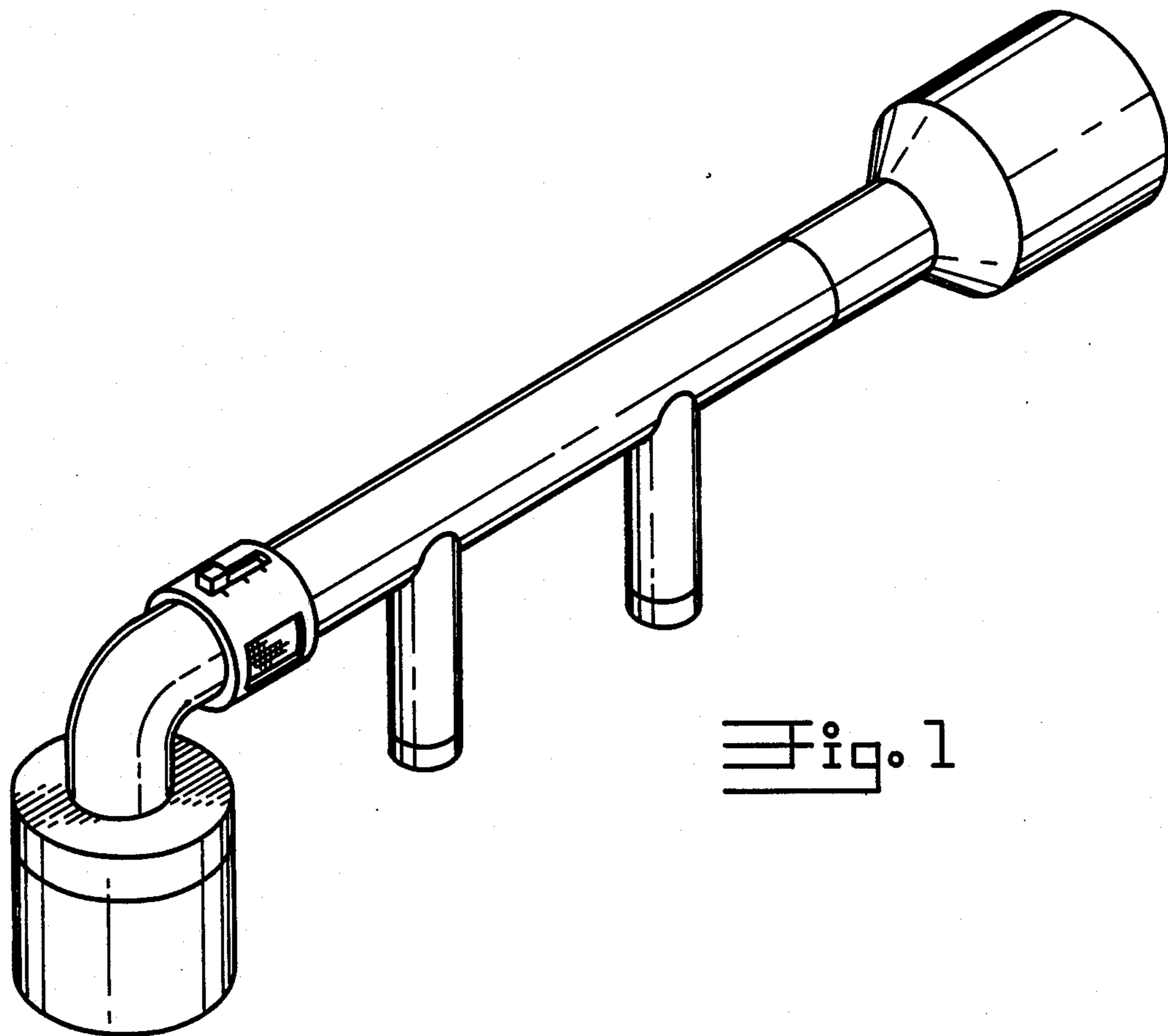


Fig. 1

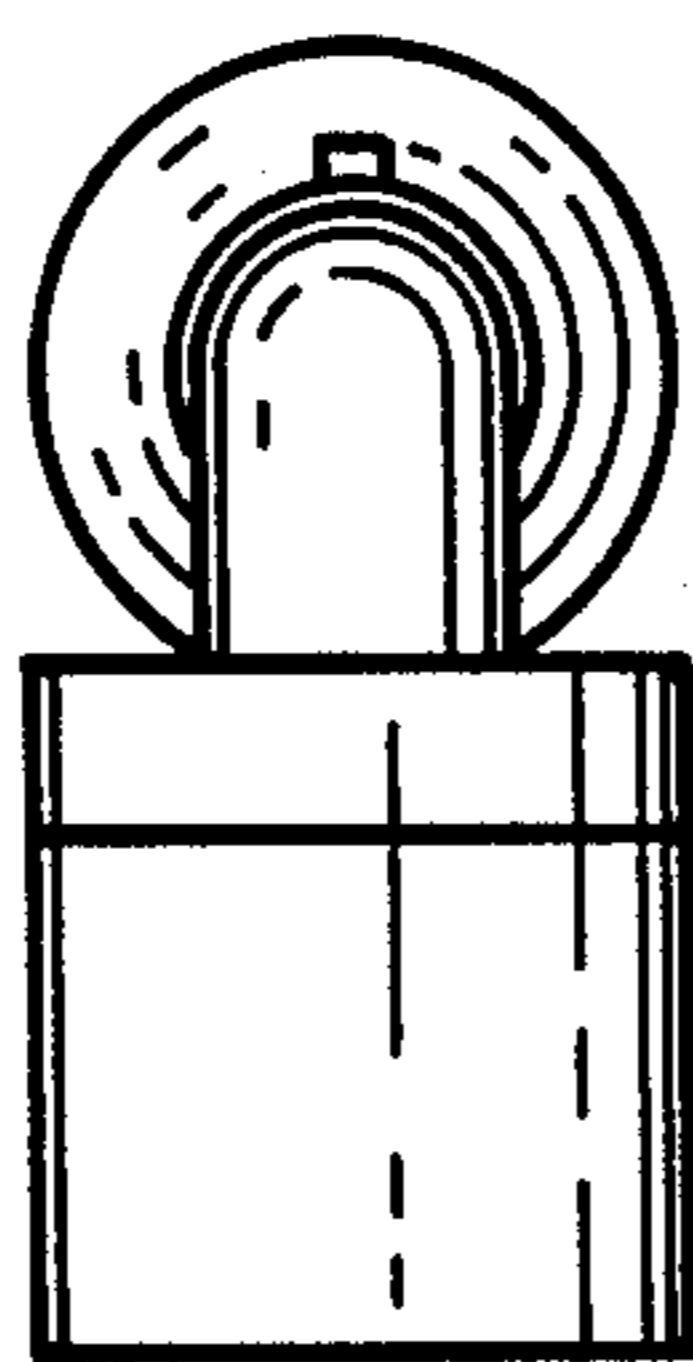


Fig. 2

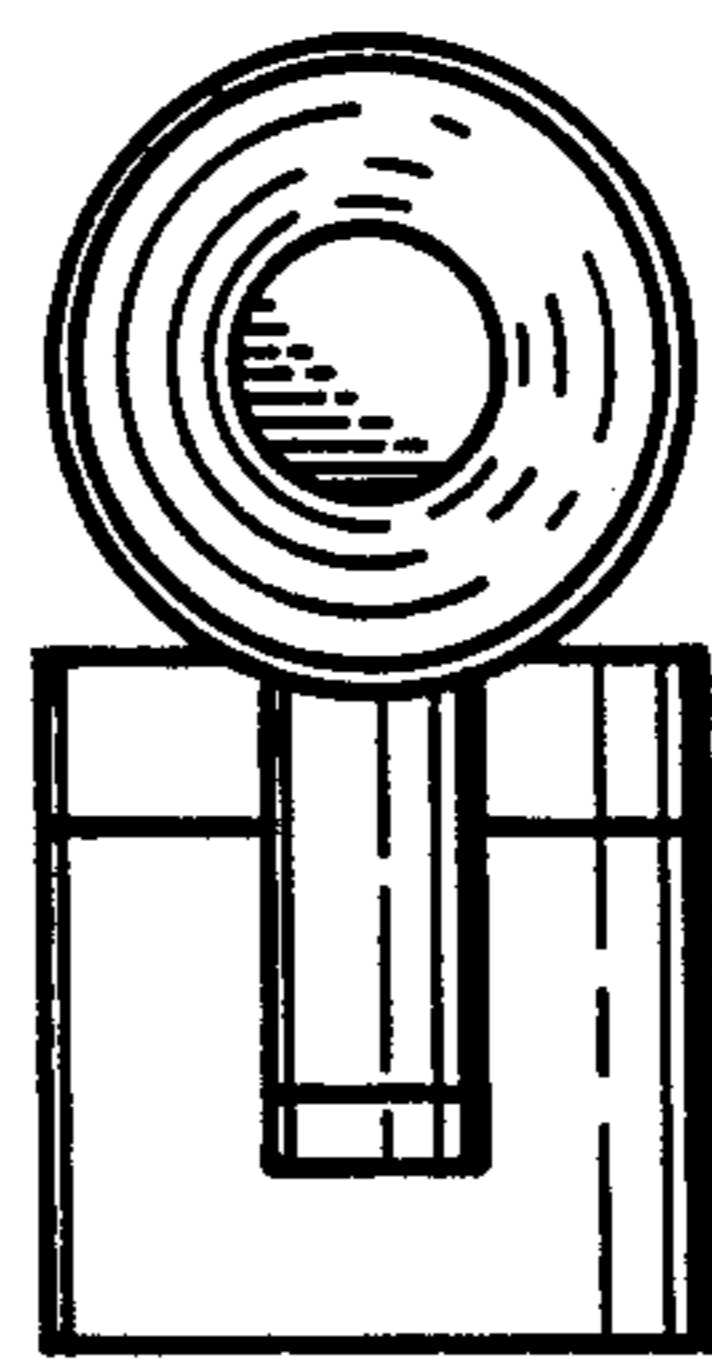


Fig. 3

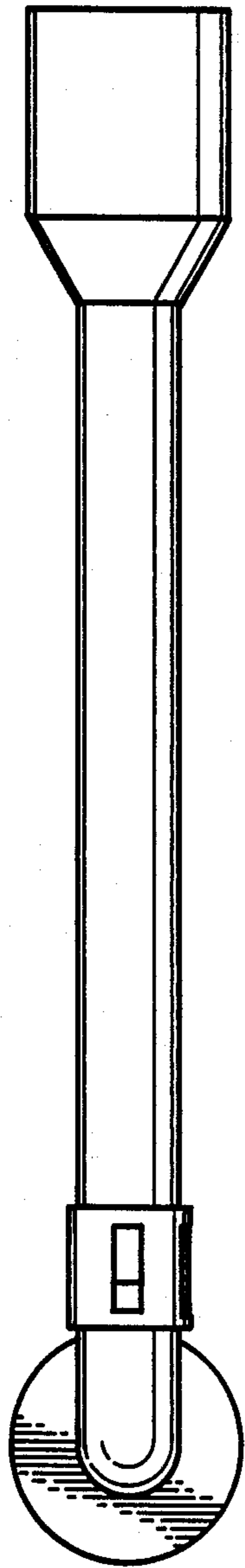


Fig. 4

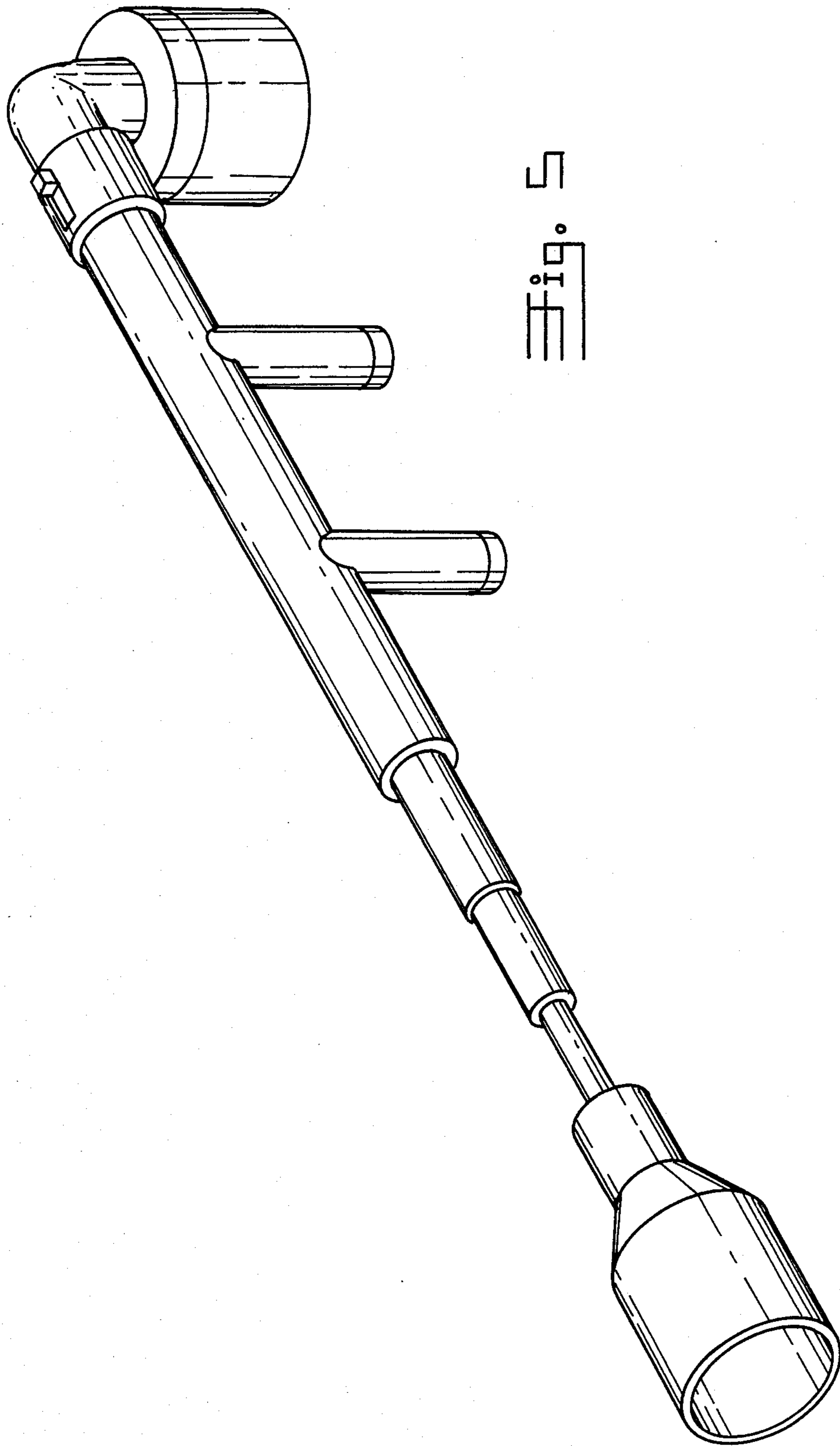


Fig. 5