

[54] NECK EXERCISER FRAME

[76] Inventor: Frederick M. J. Levenston, 105 E. Tamarack, Inglewood, Calif. 90301

[\*\*] Term: 14 Years

[21] Appl. No.: 762,320

[22] Filed: Aug. 5, 1985

[52] U.S. Cl. .... D21/198

[58] Field of Search ..... D21/191-199; 272/94, 109, 67, 70.3, 116, 125, 134, 143, 144

[56] References Cited

U.S. PATENT DOCUMENTS

- D. 265,575 7/1982 Lonford ..... D21/191
- 4,066,259 1/1978 Brentham ..... 272/94

OTHER PUBLICATIONS

Coach & Athlete, Jan./Feb., 1979, vol. XXXXI, #4, p. 17, "Super Neck Developer".

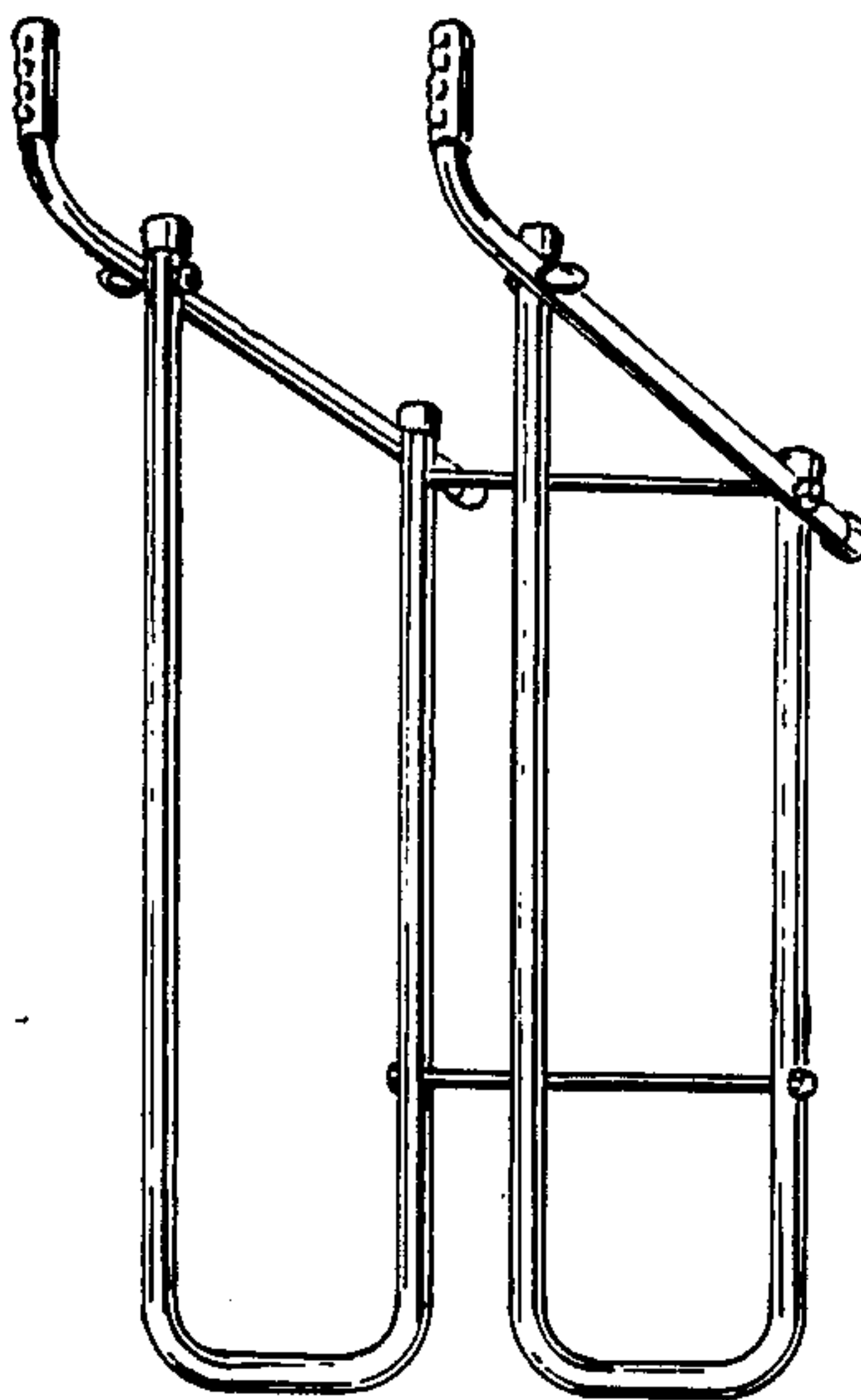
Primary Examiner—Charles A. Rademaker

[57] CLAIM

The new ornamental design for a neck exerciser frame, as shown and described.

DESCRIPTION

FIG. 1 is a perspective view of a neck exerciser frame, showing my new design;  
 FIG. 2 is a rear elevational view thereof;  
 FIG. 3 is a right side elevational view thereof, the side opposite being substantially a mirror image;  
 FIG. 4 is a front elevational view thereof;  
 FIG. 5 is a top plan view thereof; and,  
 FIG. 6 is a bottom plan view thereof.



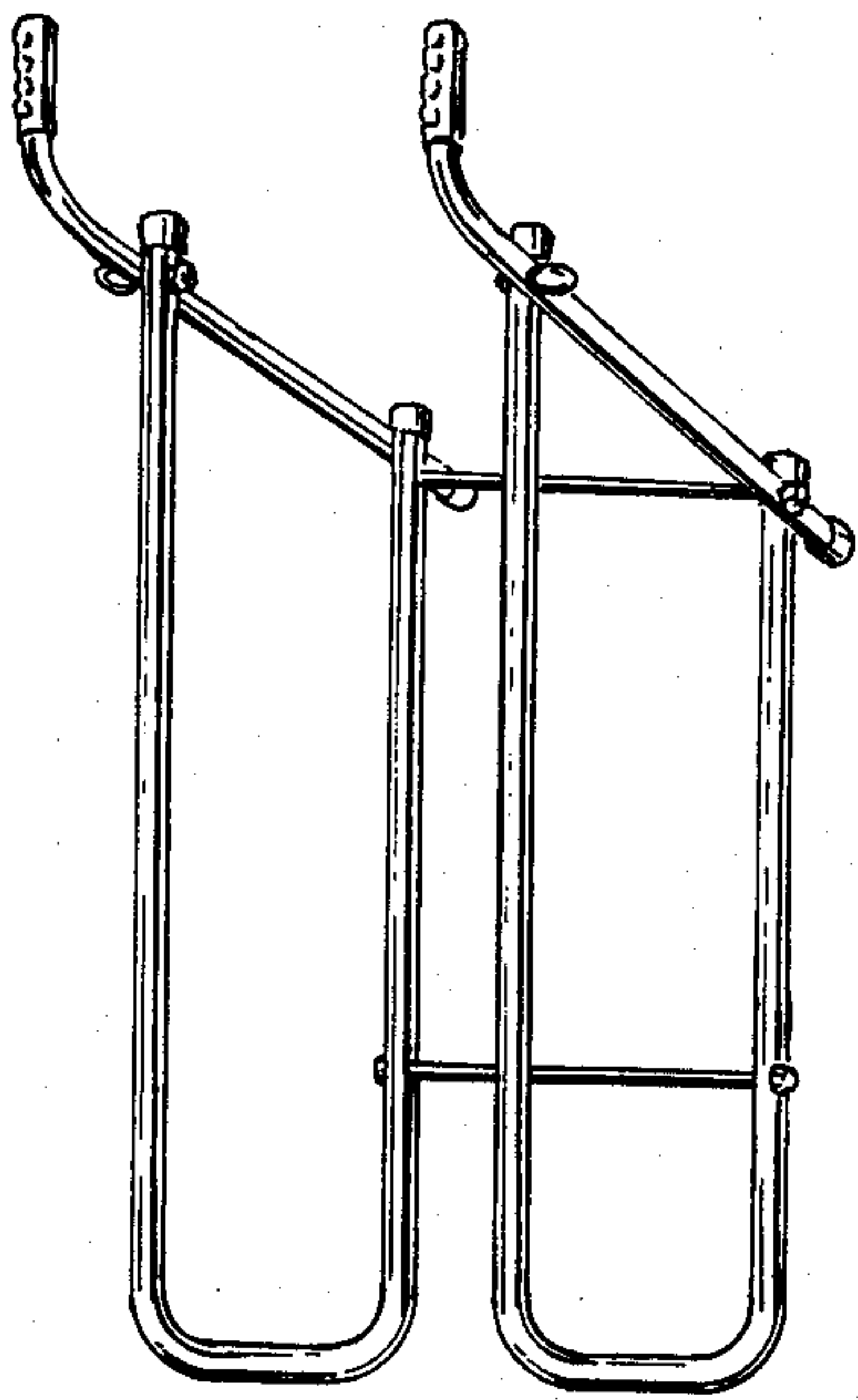


FIG. 1

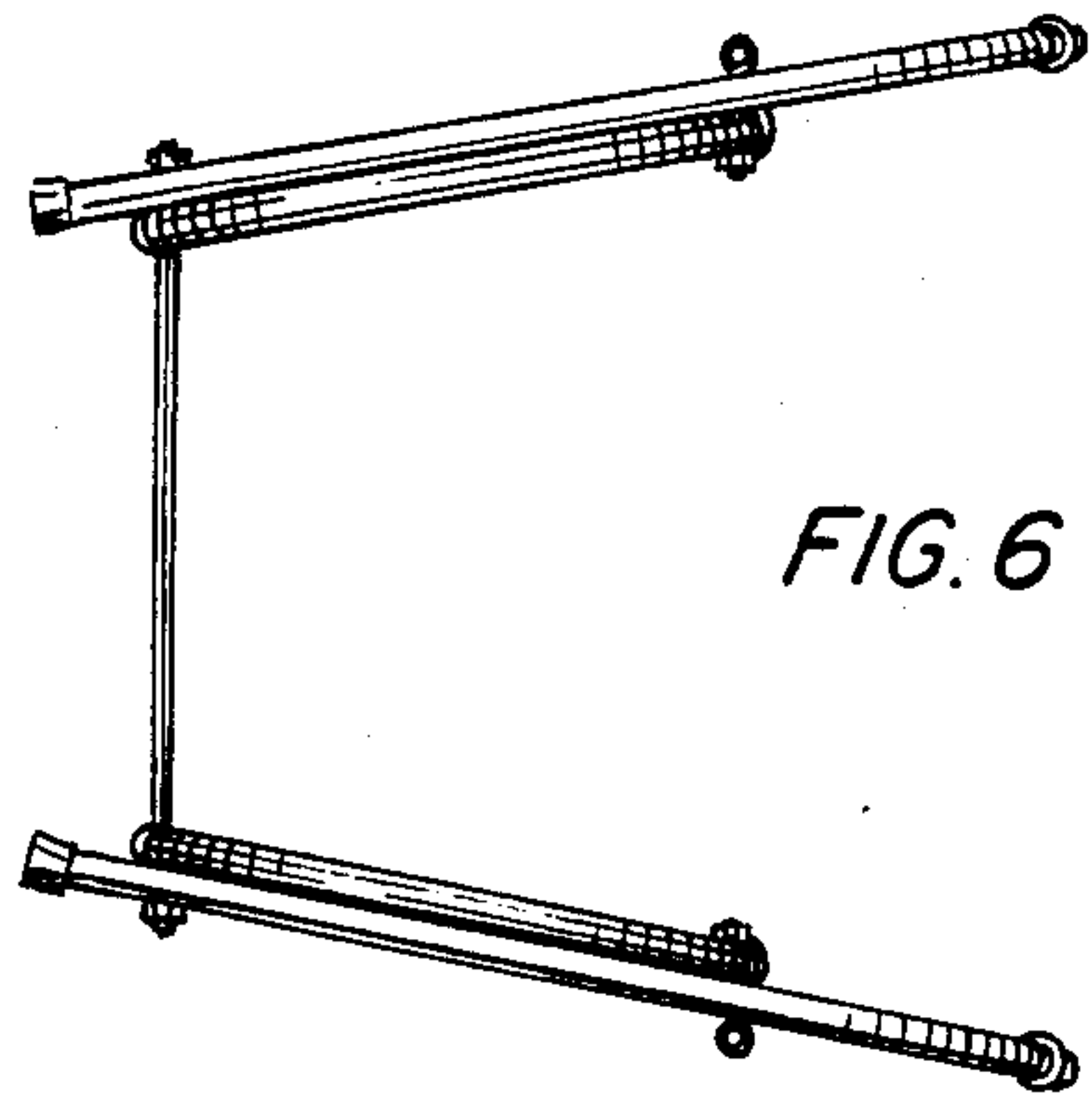


FIG. 6

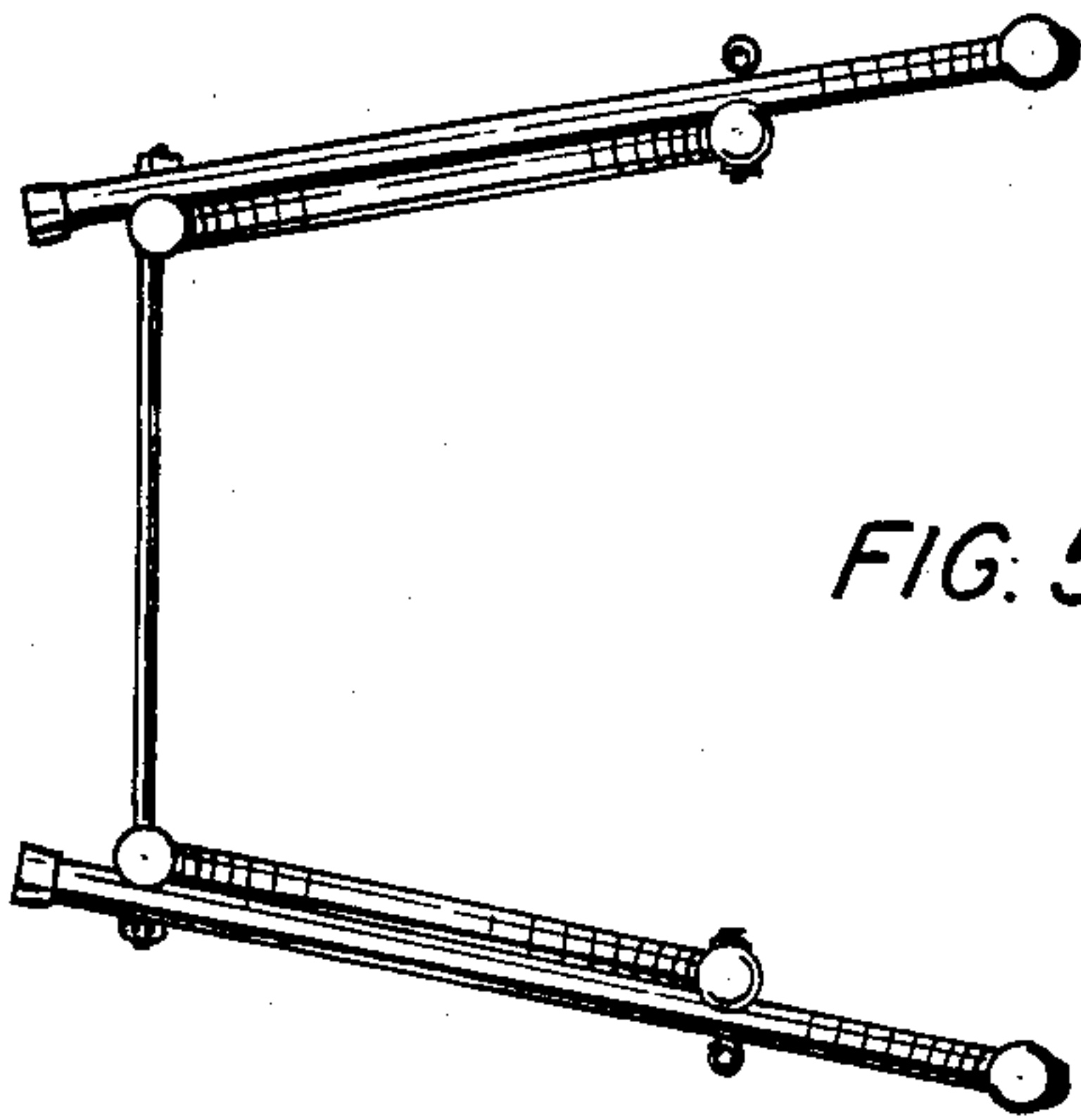


FIG. 5

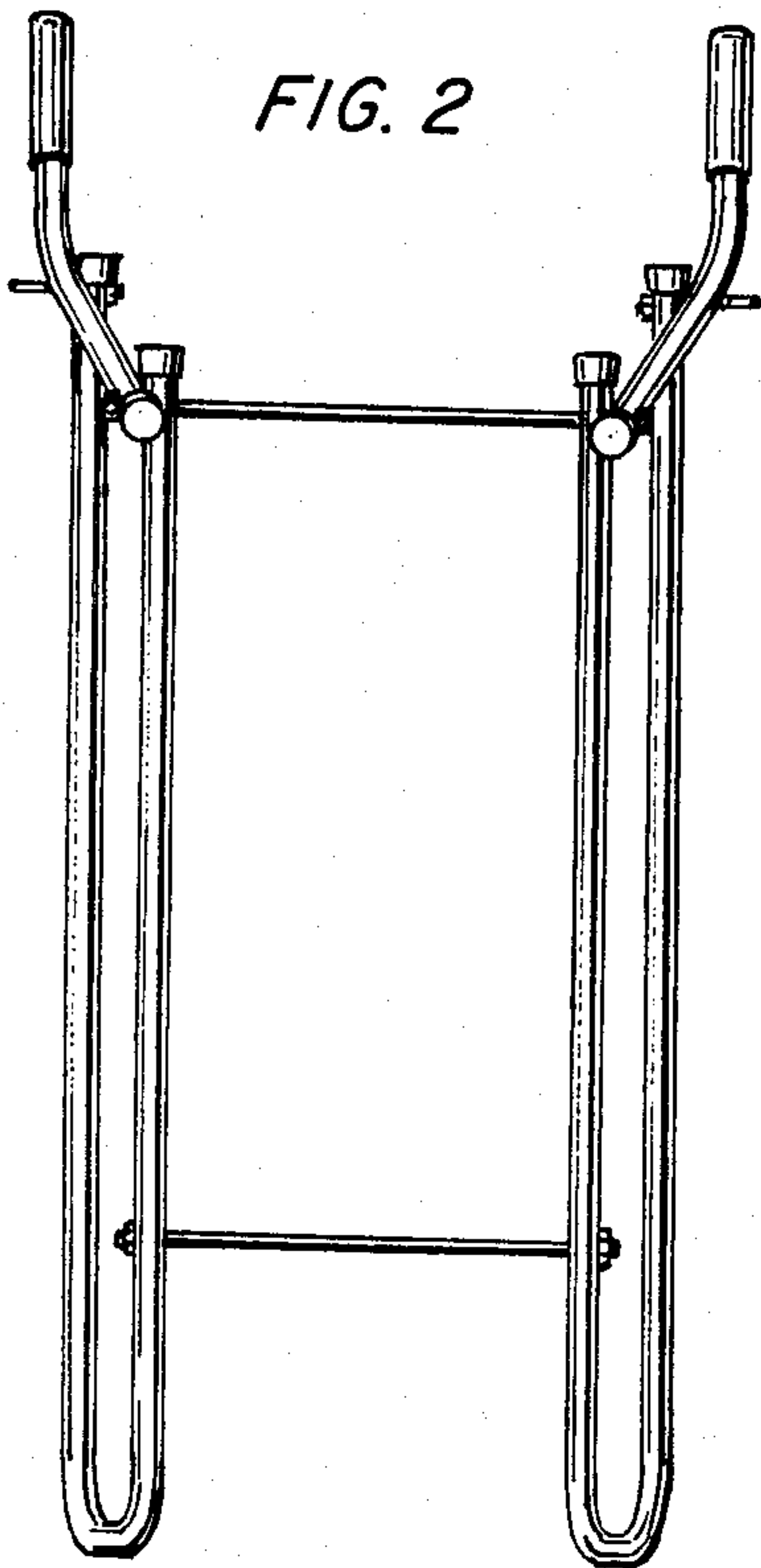


FIG. 2

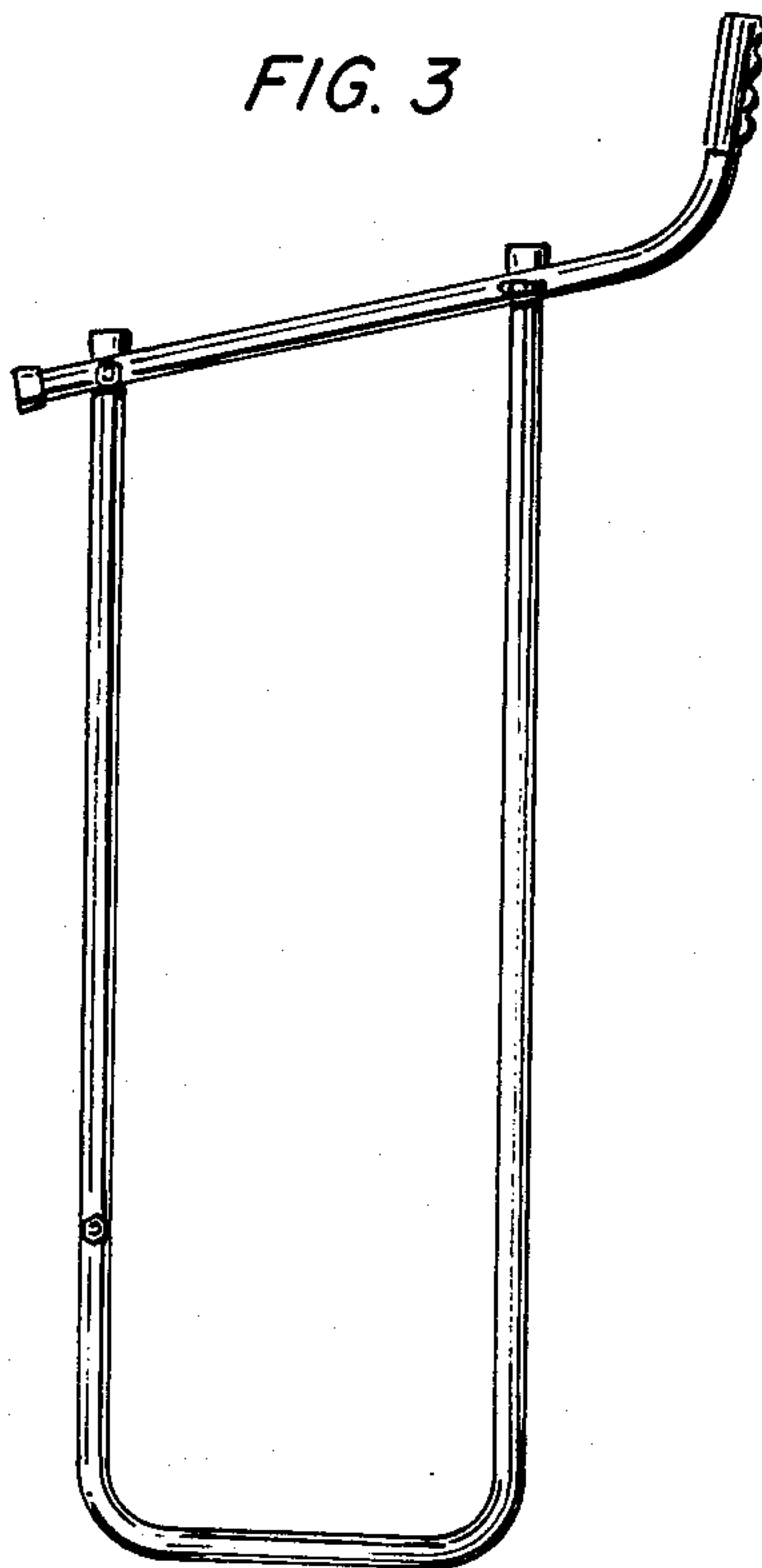


FIG. 3

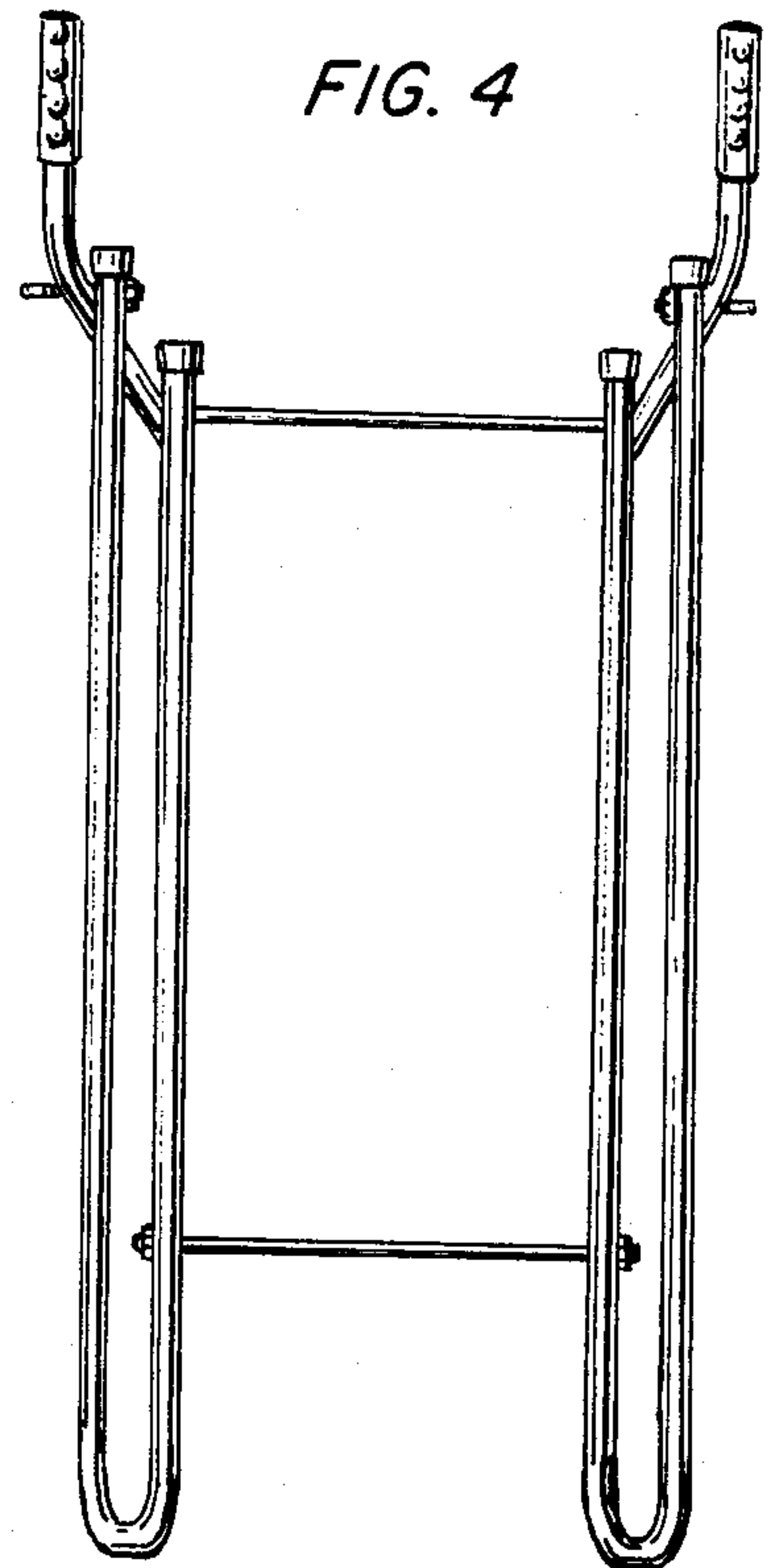


FIG. 4