

[54] **ELECTRONIC ERGOMETER**
[75] **Inventor: Juhani Salovaara, Turku, Finland**
[73] **Assignee: Tunturiyöry Oy, Turku, Finland**
[**] **Term: 14 Years**
[21] **Appl. No.: 60,430**
[22] **Filed: Jun. 11, 1987**

[30] **Foreign Application Priority Data**
Jan. 14, 1987 [FI] Finland 12/87
[52] **U.S. Cl. D21/194**
[58] **Field of Search D21/191-199;**
272/70.3, 73, 132, DIG. 6; 73/379

[56] **References Cited**
U.S. PATENT DOCUMENTS
4,538,804 9/1985 Zibell 272/73
4,688,791 8/1987 Long 272/73
4,709,918 12/1987 Grinblat 272/70

4,749,182 7/1988 Duggan 272/73

FOREIGN PATENT DOCUMENTS

70258 5/1969 Fed. Rep. of Germany 272/73

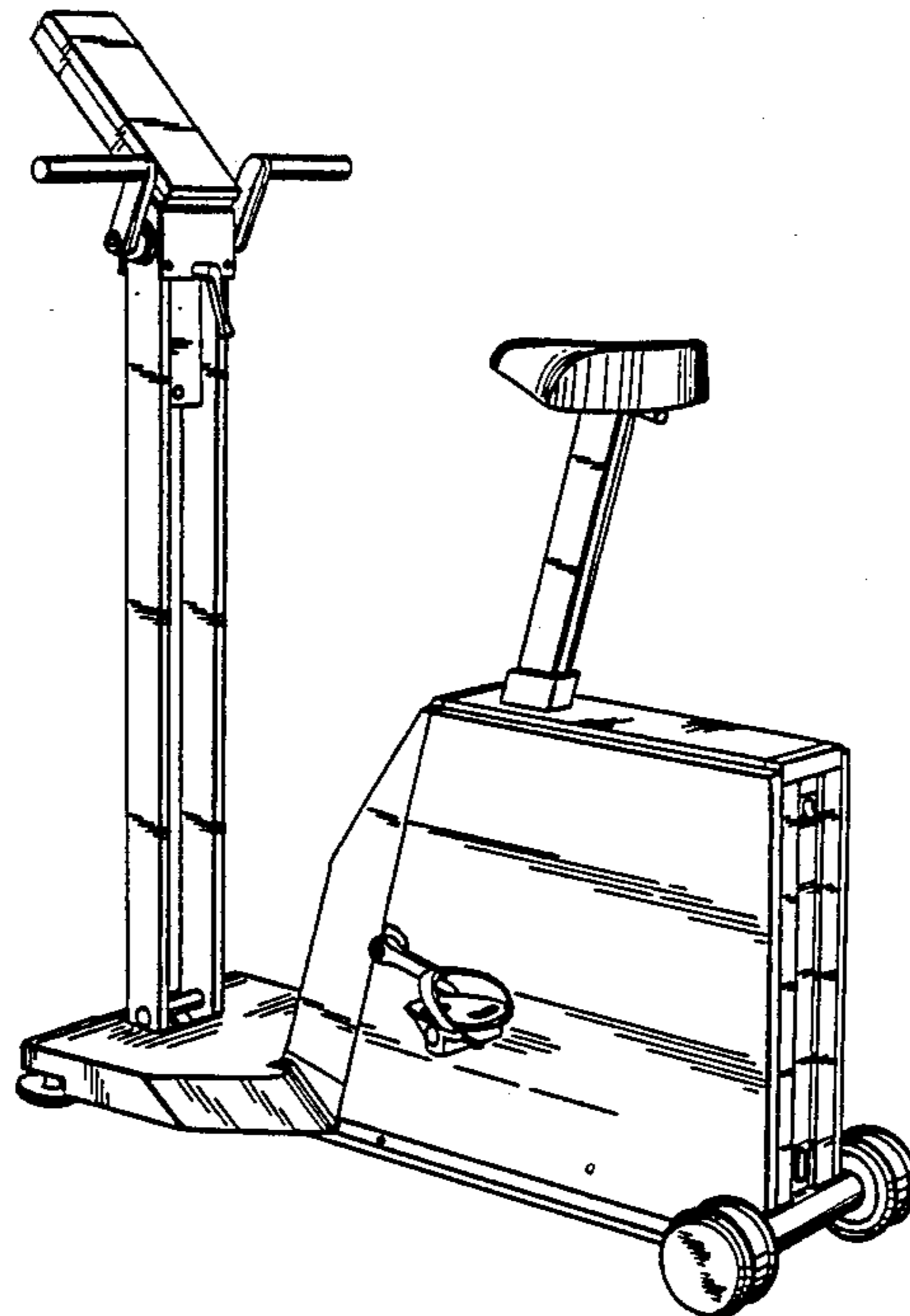
Primary Examiner—Charles A. Rademaker
Attorney, Agent, or Firm—Fleit, Jacobson, Cohn & Price

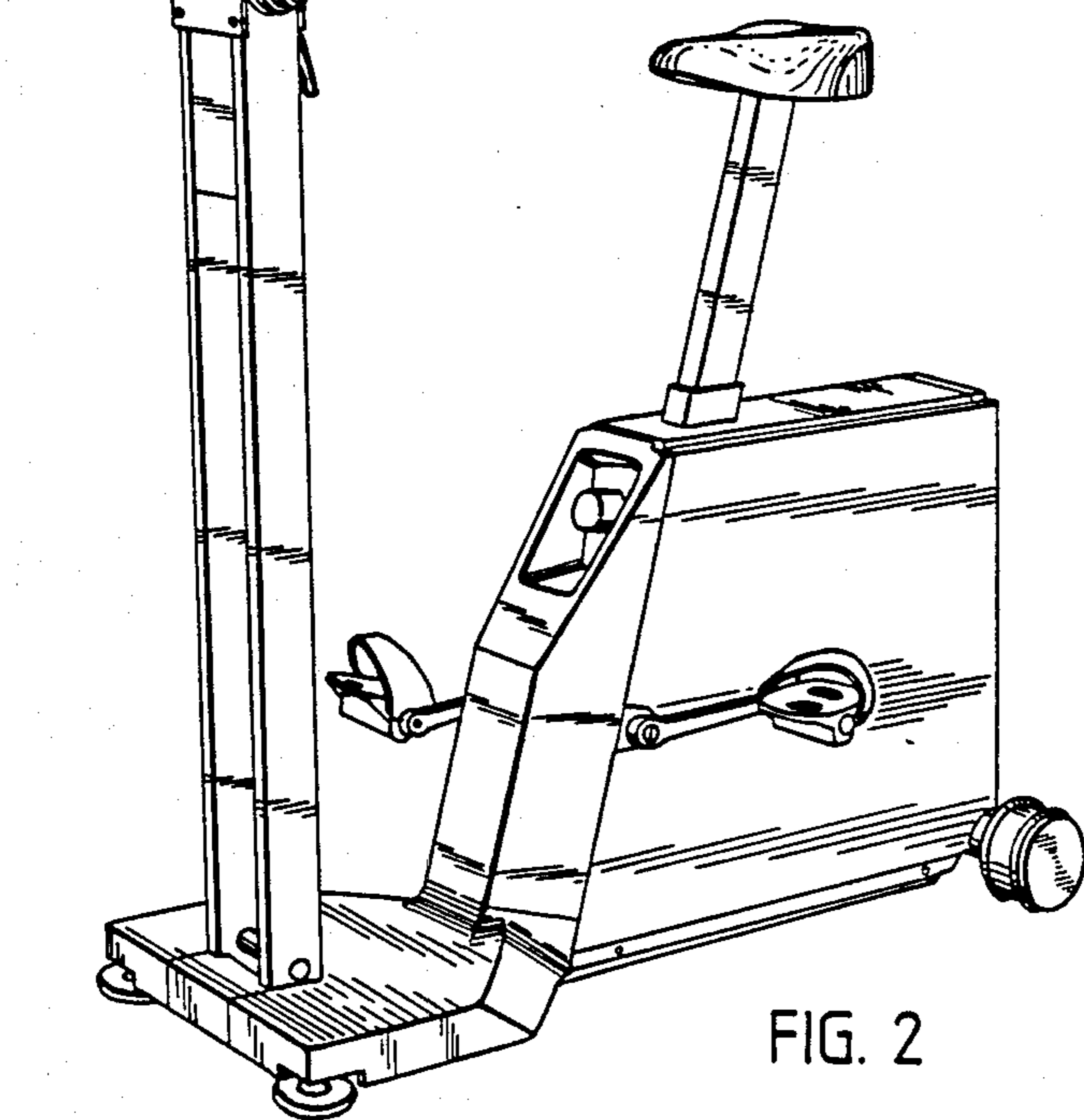
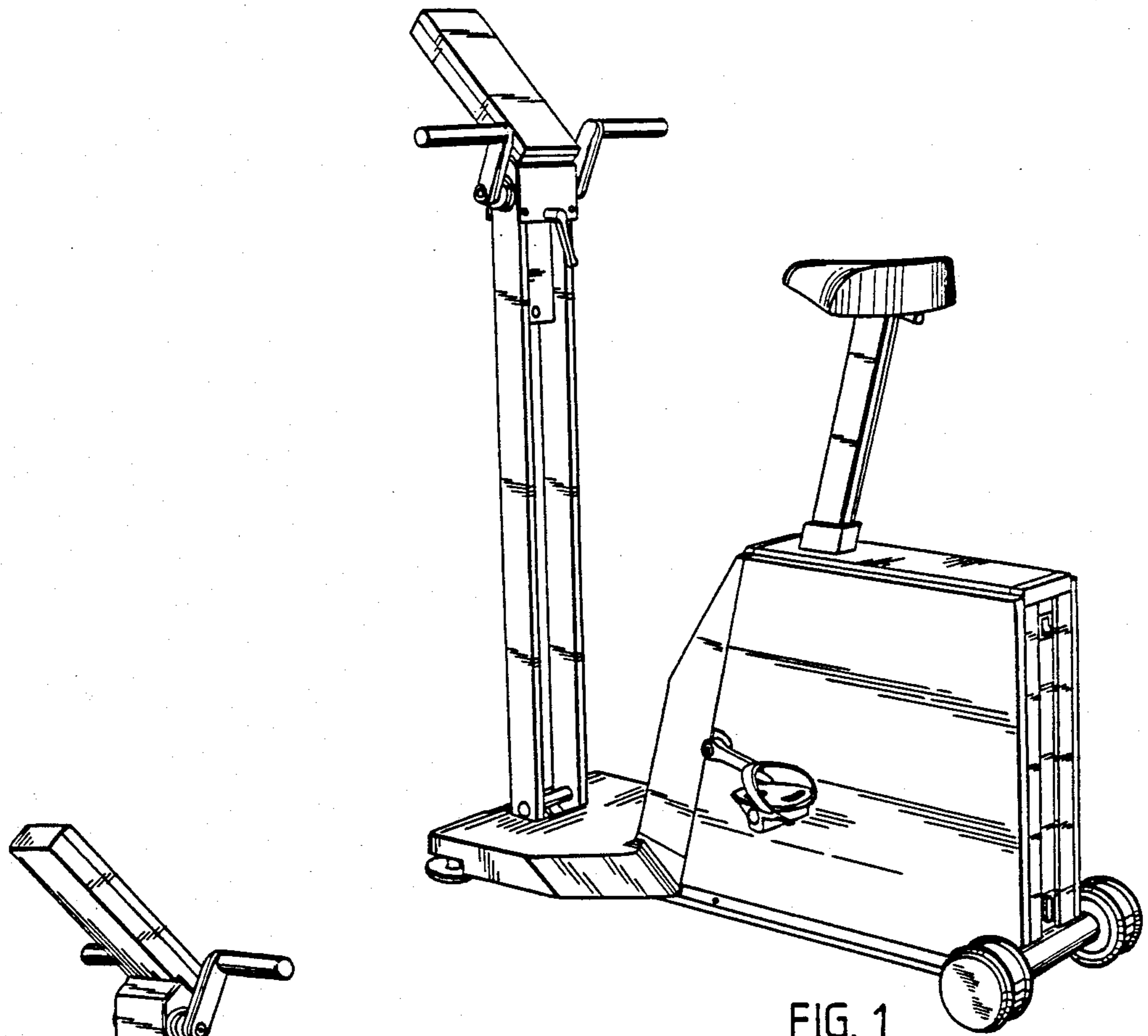
[57] **CLAIM**

The ornamental design for an electronic ergometer, as shown and described.

DESCRIPTION

FIG. 1 is a rear perspective view of an electronic ergometer showing my new design;
FIG. 2 is a front perspective view thereof;
FIG. 3 is a side perspective view thereof;
FIG. 4 is a perspective view of the side opposite that shown in FIG. 3;
FIG. 5 is a front perspective view thereof;
FIG. 6 is a rear perspective view thereof;
FIG. 7 is a top perspective view thereof; and
FIG. 8 is a bottom perspective view thereof.





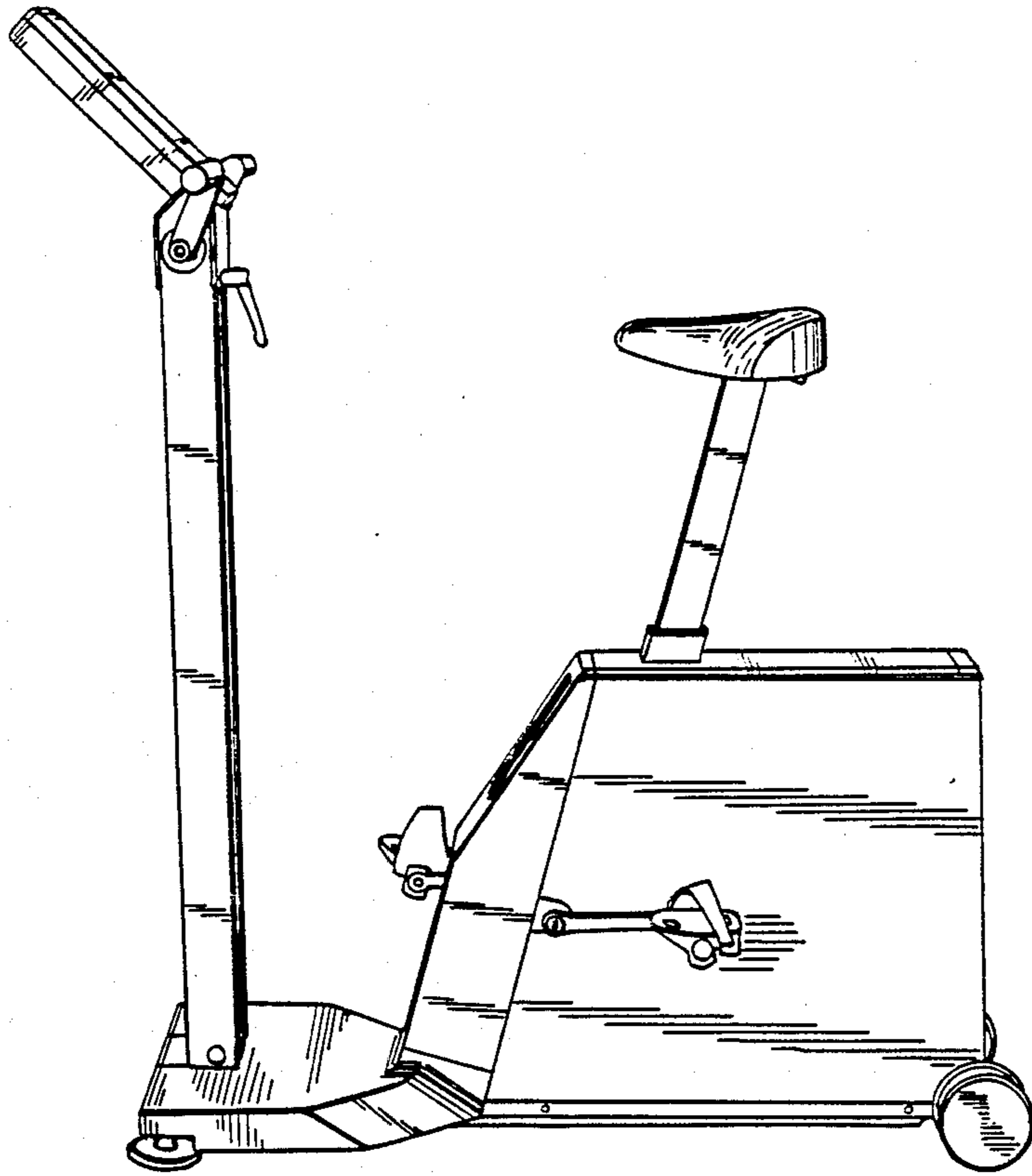


FIG. 3

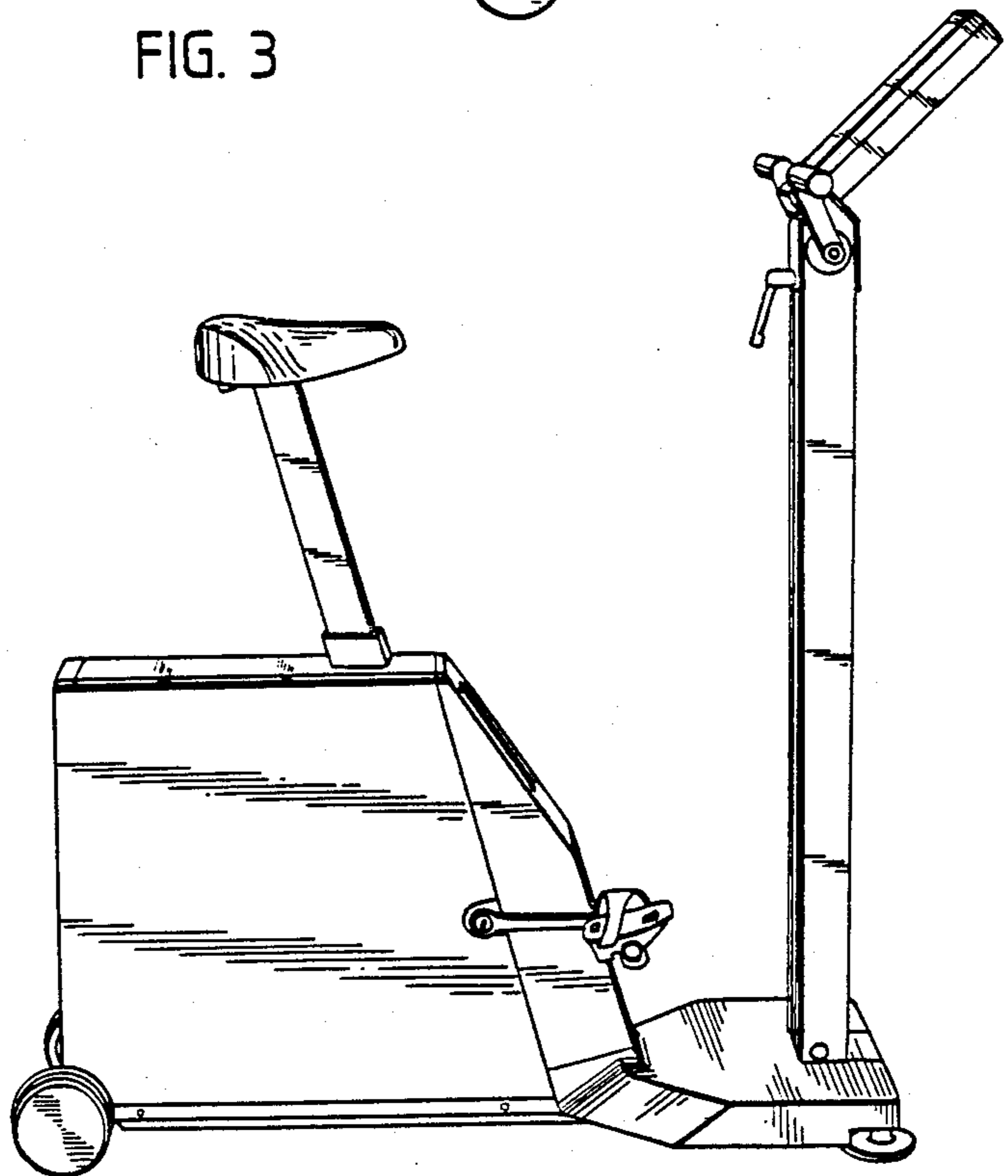


FIG. 4

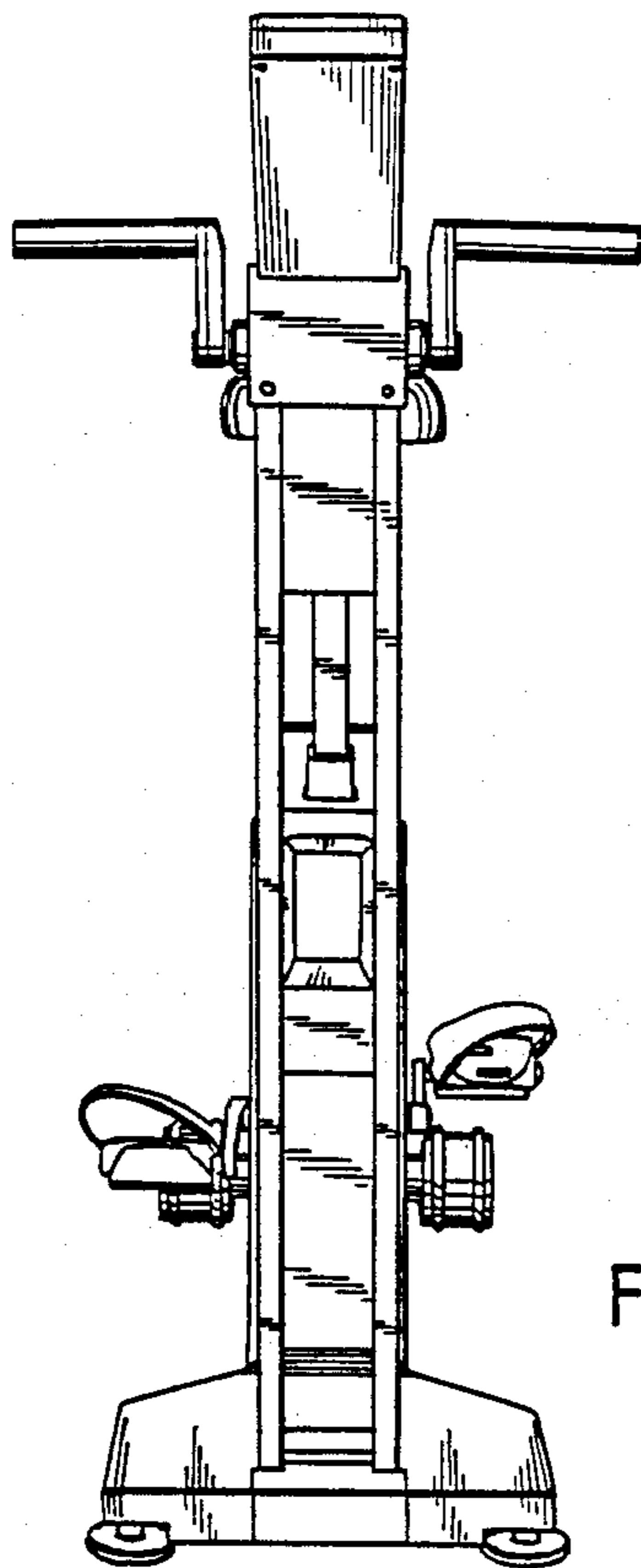


FIG. 5

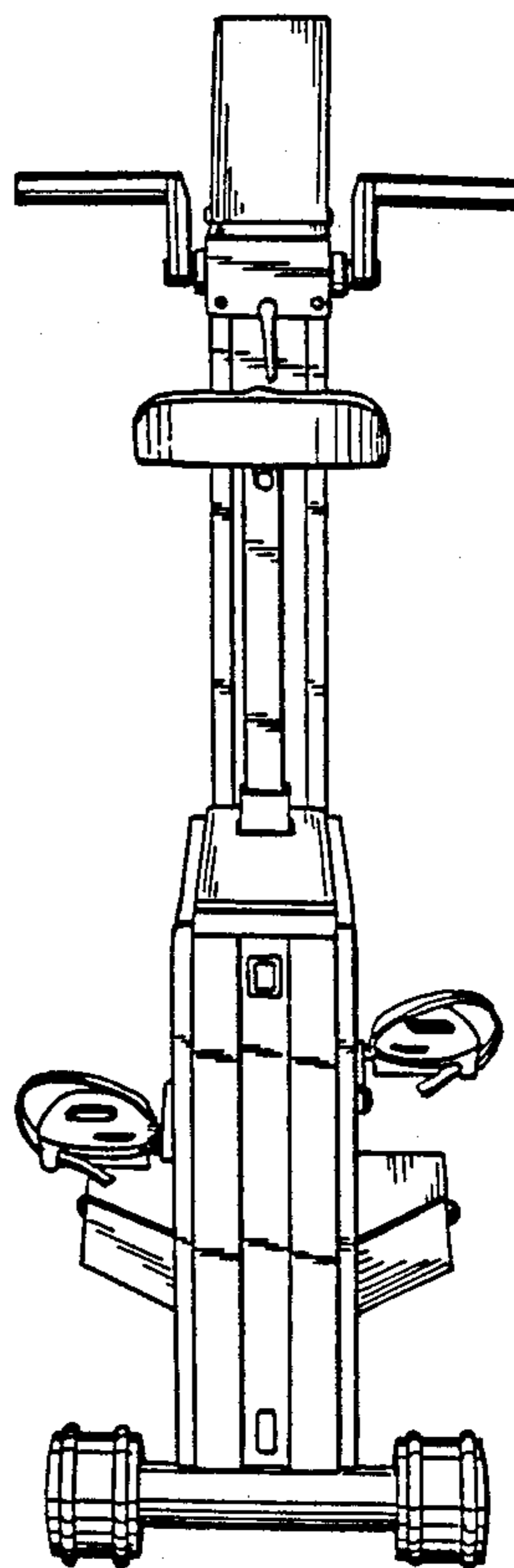


FIG. 6

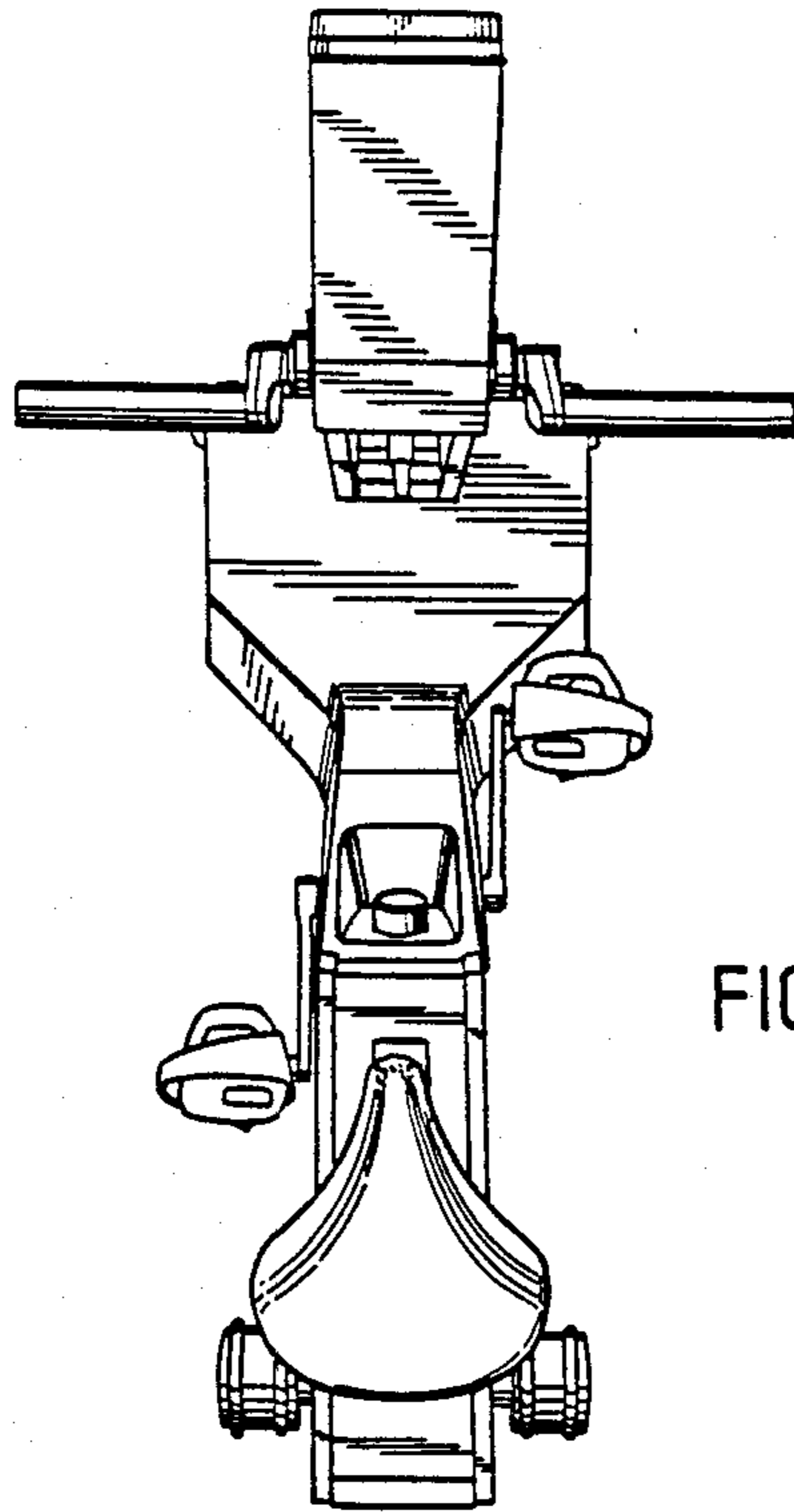


FIG. 7

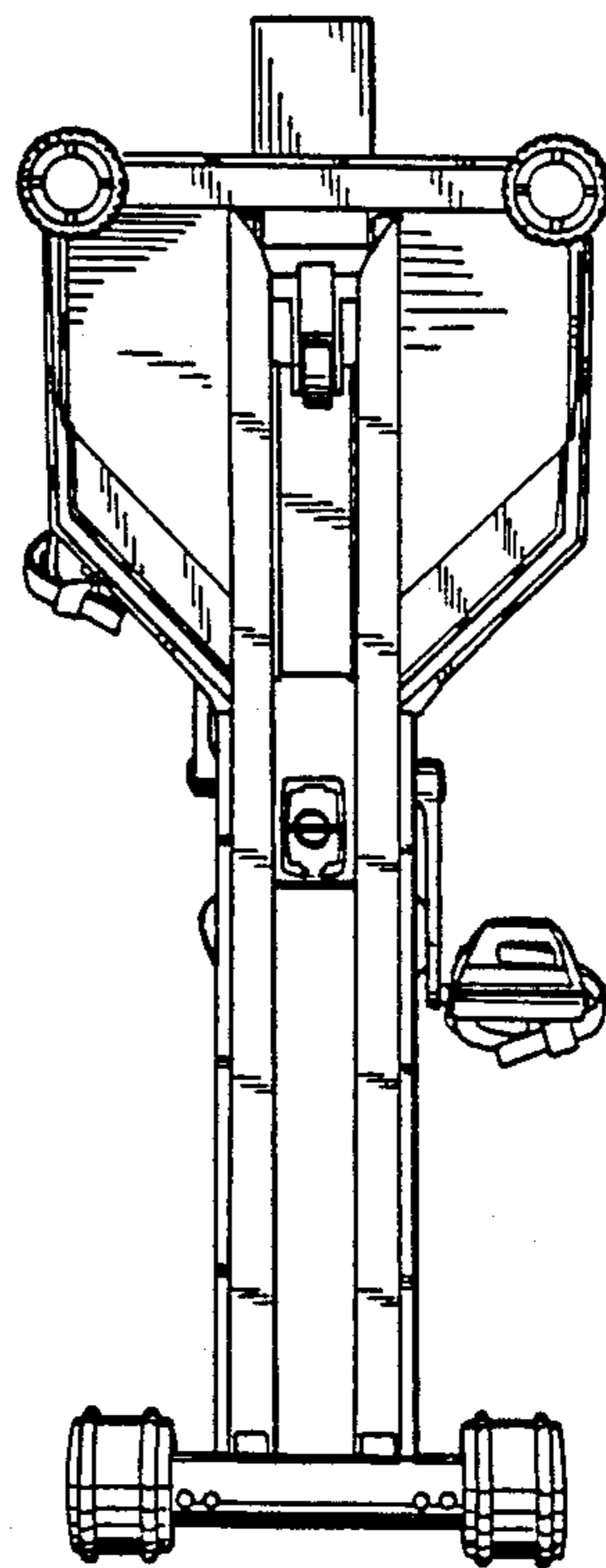


FIG. 8