

[54] RECONFIGURABLE TOY VEHICLE

[75] Inventor: Takayuki Ishizawa, Souka, Japan

[73] Assignee: Takara Co., Ltd., Tokyo, Japan

[\*\*] Term: 14 Years

[21] Appl. No.: 930,380

[22] Filed: Nov. 12, 1986

[30] Foreign Application Priority Data

Sep. 22, 1986 [JP] Japan ..... 61-37441

[52] U.S. Cl. .... D21/150; D21/136; D21/166

[58] Field of Search ..... D21/128-140, D21/166, 140; 446/71, 72-78, 383, 381, 487

[56] References Cited

U.S. PATENT DOCUMENTS

D. 285,466	9/1986	Ohno	.....	D21/150
D. 295,300	4/1988	Yoke	.....	D21/136
D. 295,302	4/1988	Yoke	.....	D21/150
D. 295,304	4/1988	Shibukawa	.....	D21/150
D. 297,035	8/1988	Yoke	.....	D21/134

Primary Examiner—Charles A. Rademaker  
Attorney, Agent, or Firm—Price, Gess & Ubell

[57] CLAIM

The ornamental design for a reconfigurable toy vehicle, as shown and described.

DESCRIPTION

FIG. 1 is a front perspective view of a reconfigurable toy vehicle showing my new design;  
 FIG. 2 is a front elevational view thereof;  
 FIG. 3 is a right side elevational view thereof, the side opposite being a mirror image;  
 FIG. 4 is a rear elevational view thereof;  
 FIG. 5 is a top plan view thereof;  
 FIG. 6 is a bottom plan view thereof;  
 FIG. 7 is another front perspective view of the design shown in FIGS. 1 through 6 in a humanoid robot reconfiguration;  
 FIG. 8 is a front elevational view thereof;  
 FIG. 9 is a right side elevational view thereof, the side opposite being a mirror image;  
 FIG. 10 is a rear elevational view thereof;  
 FIG. 11 is a top plan view thereof; and  
 FIG. 12 is a bottom plan view thereof.

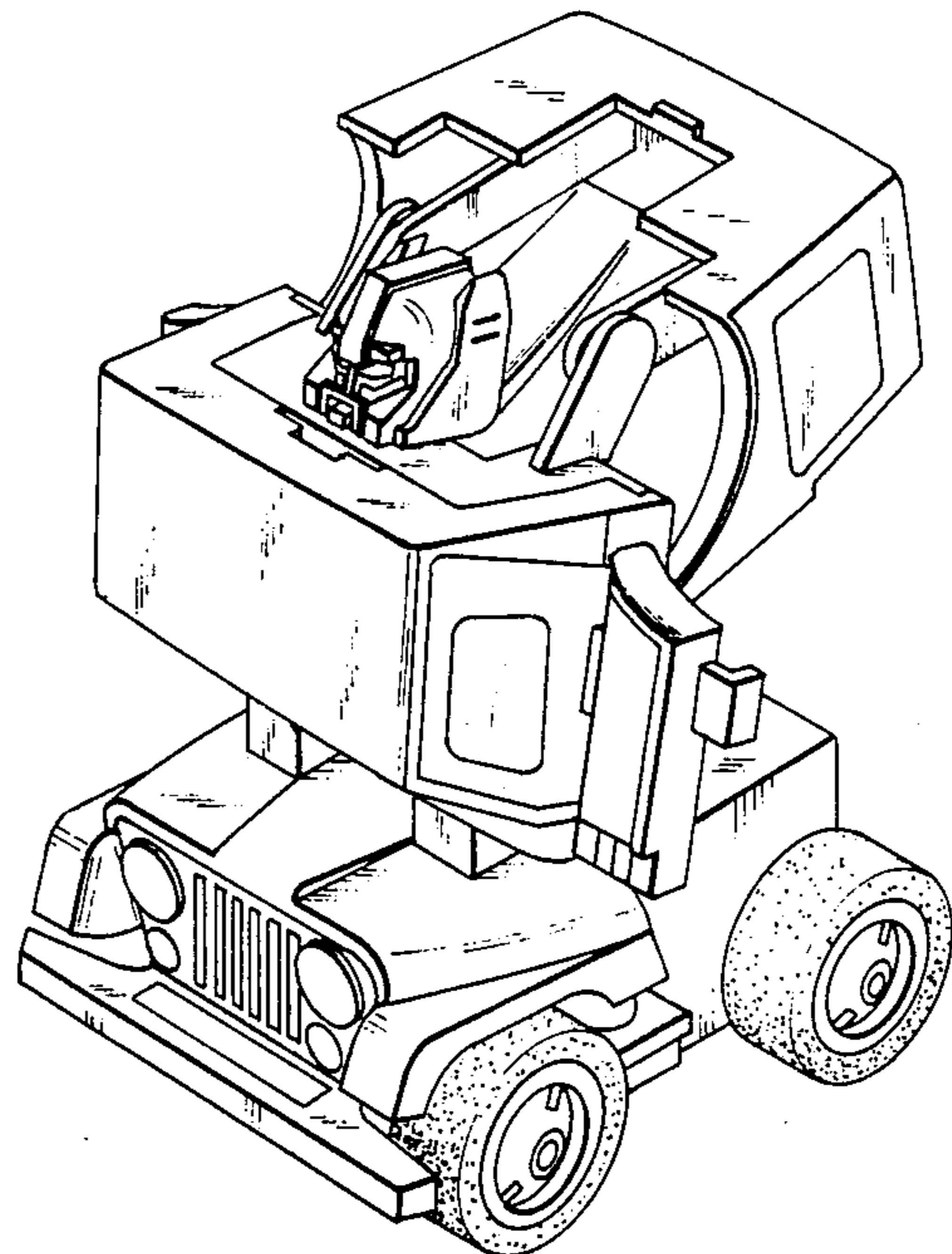
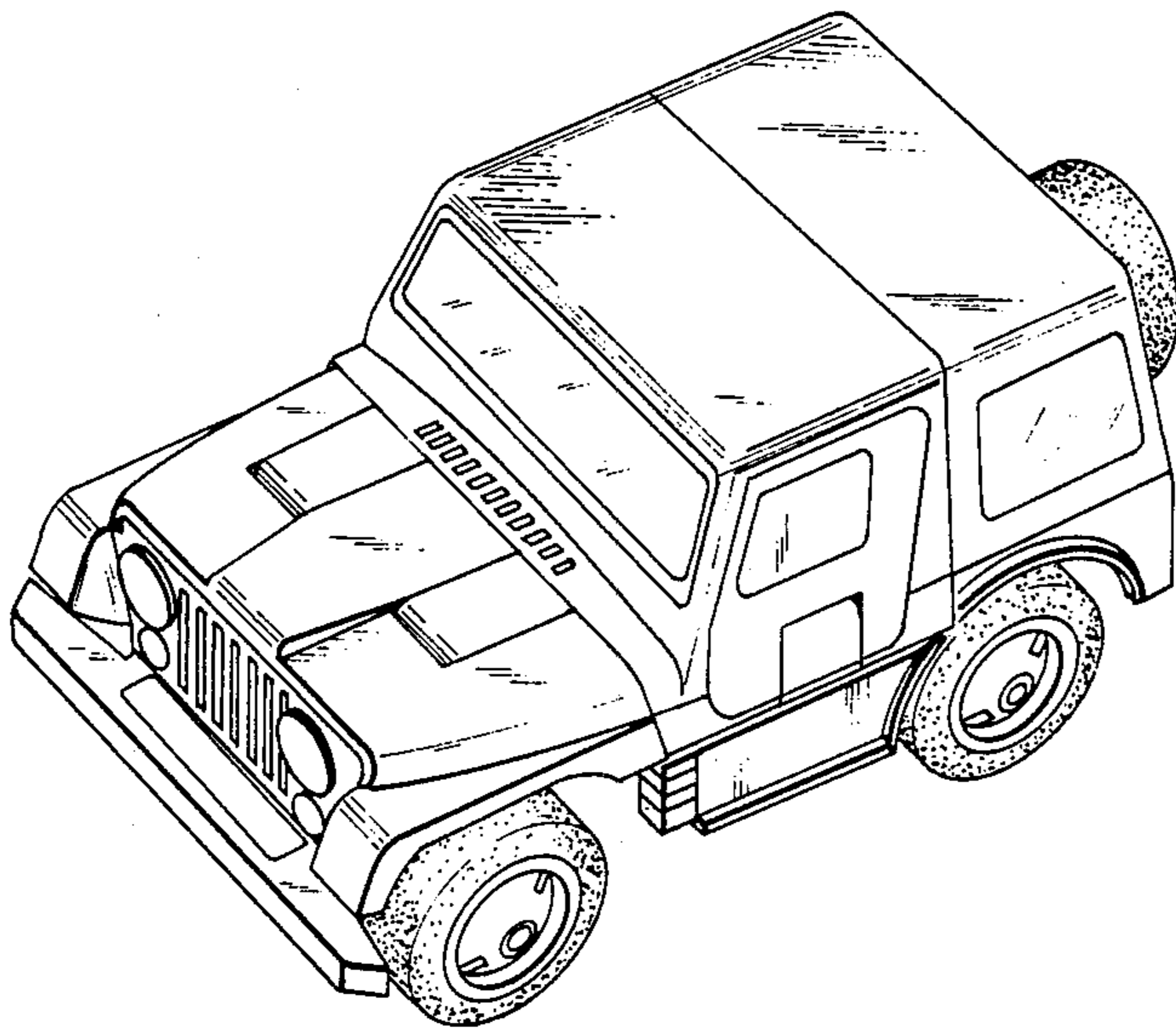


FIG. 2

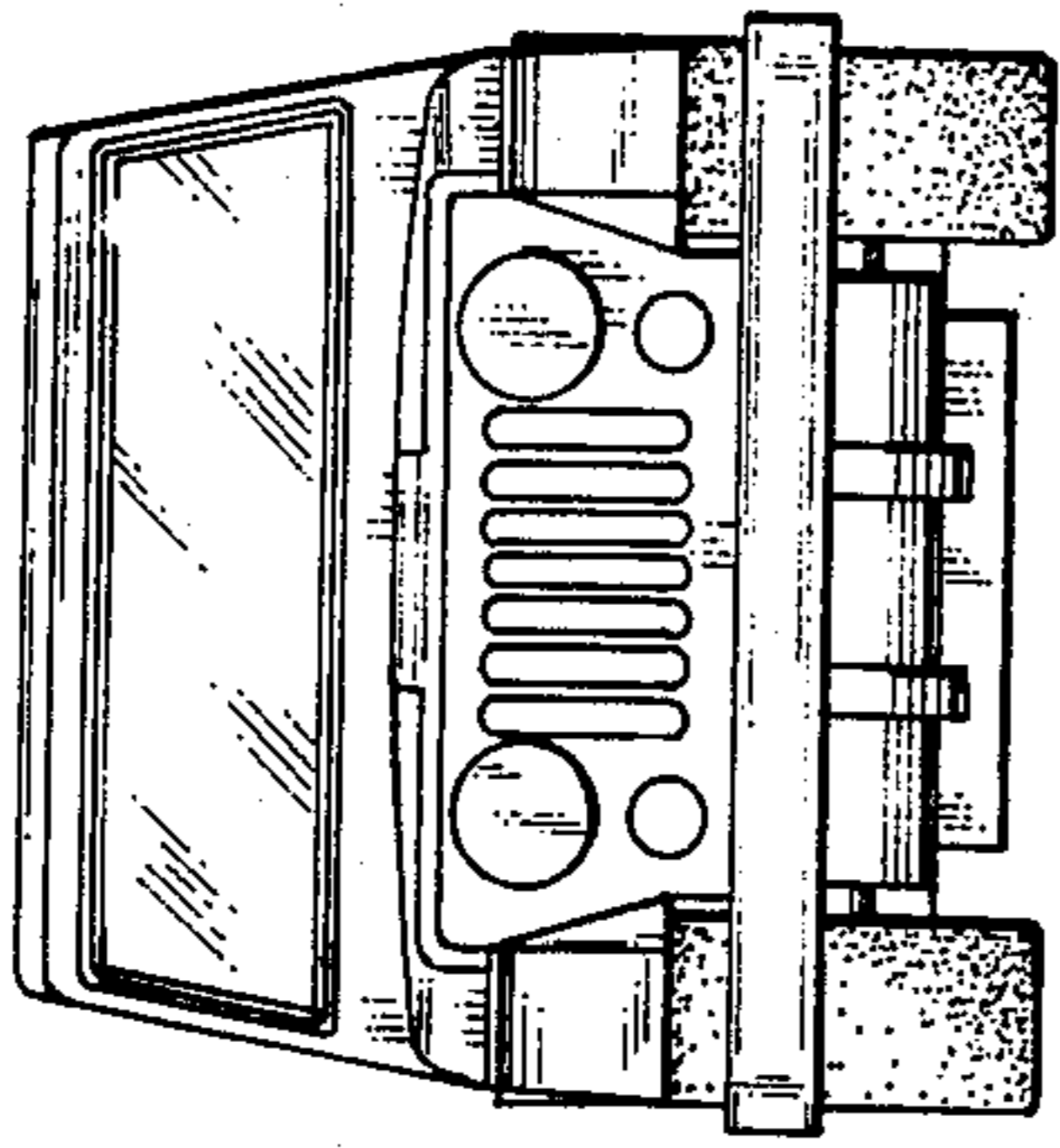


FIG. 3

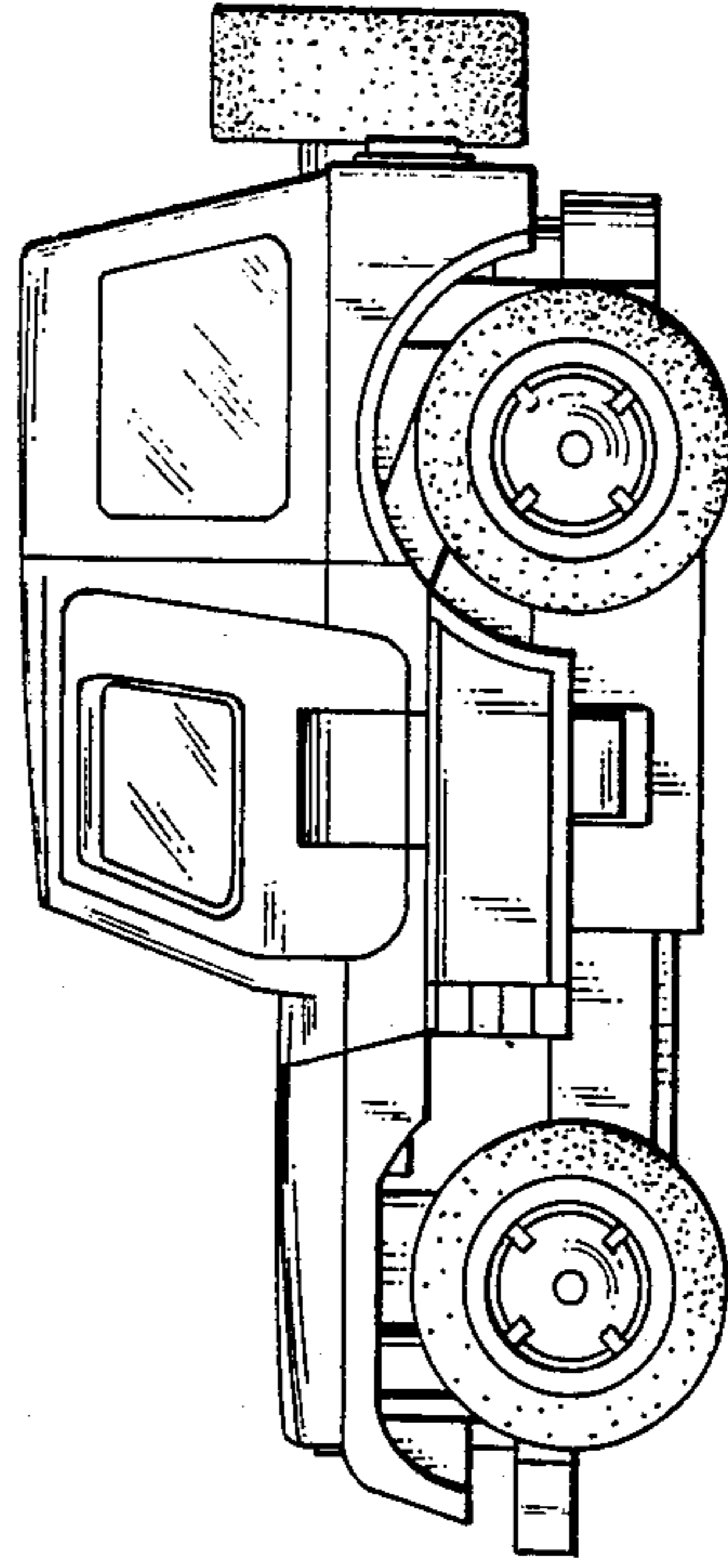


FIG. 1

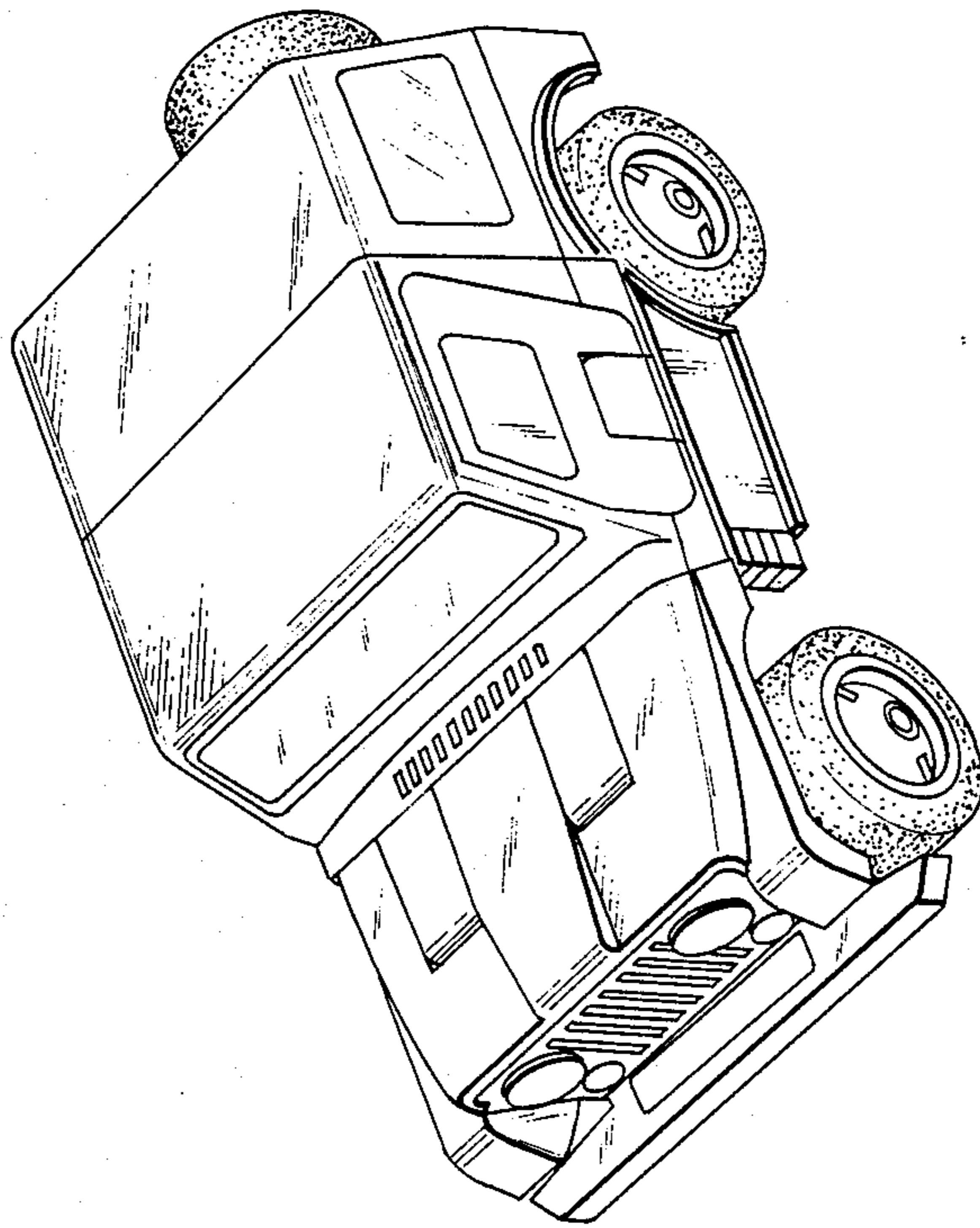


FIG. 4

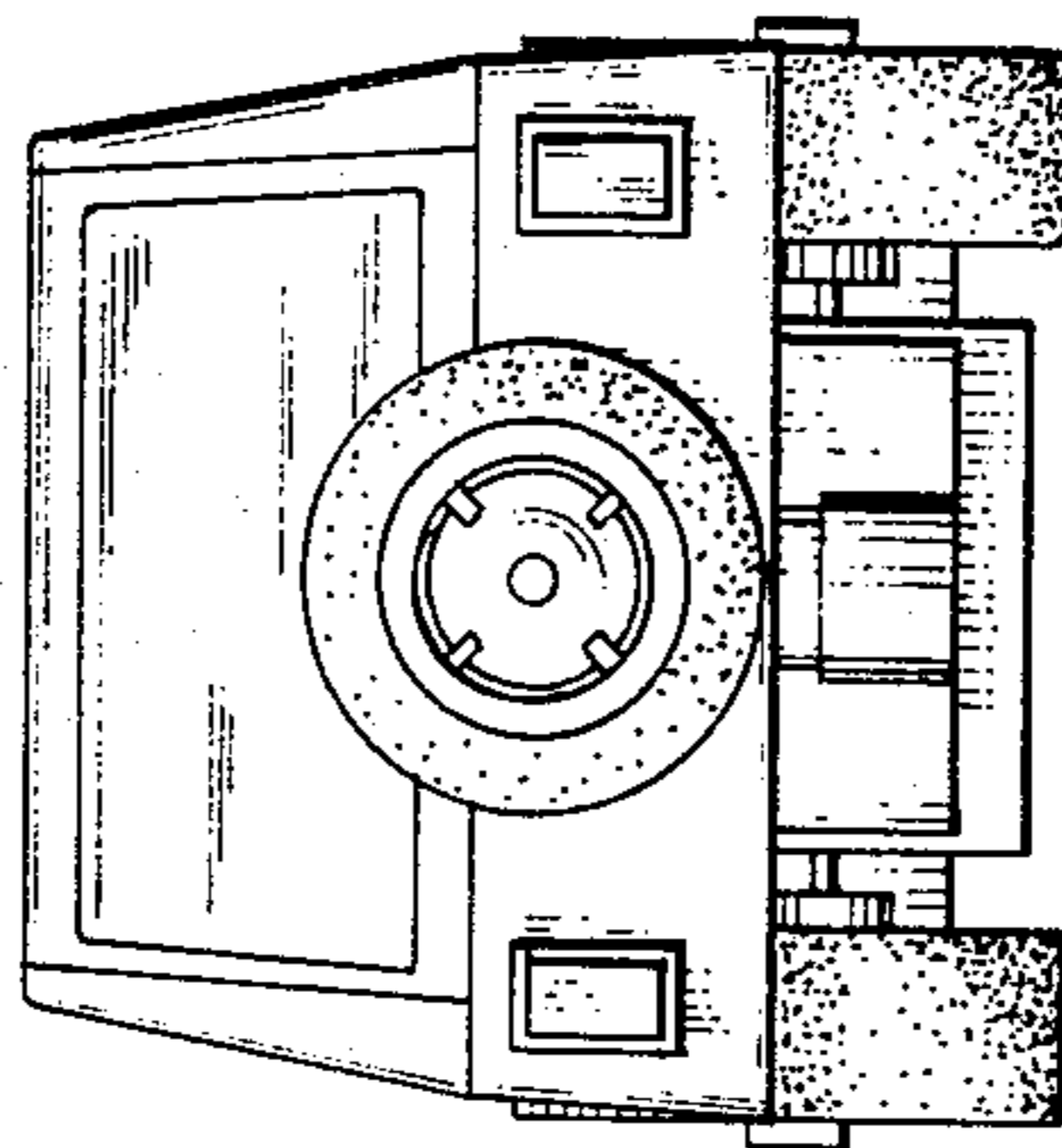


FIG. 5

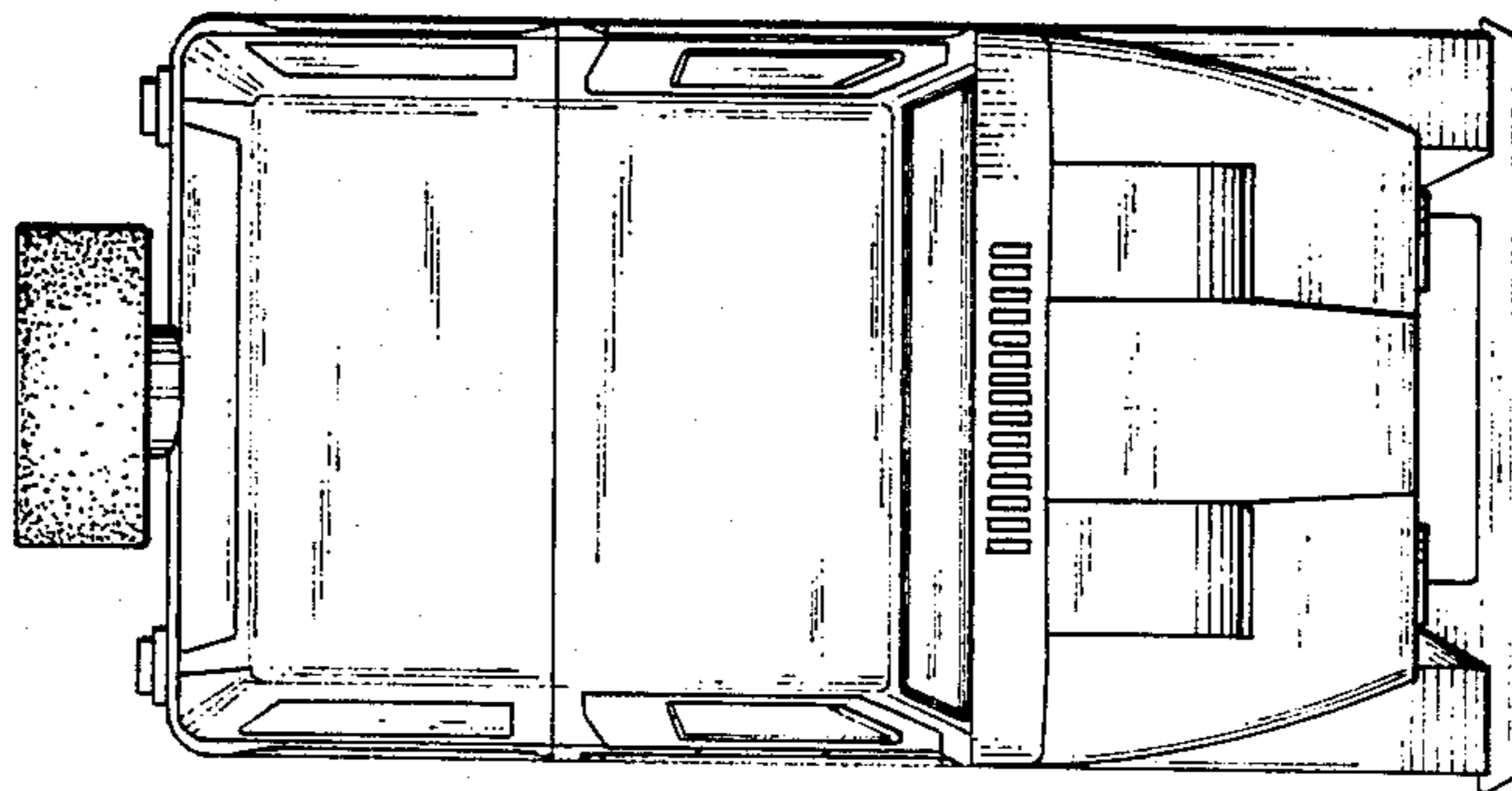


FIG. 6

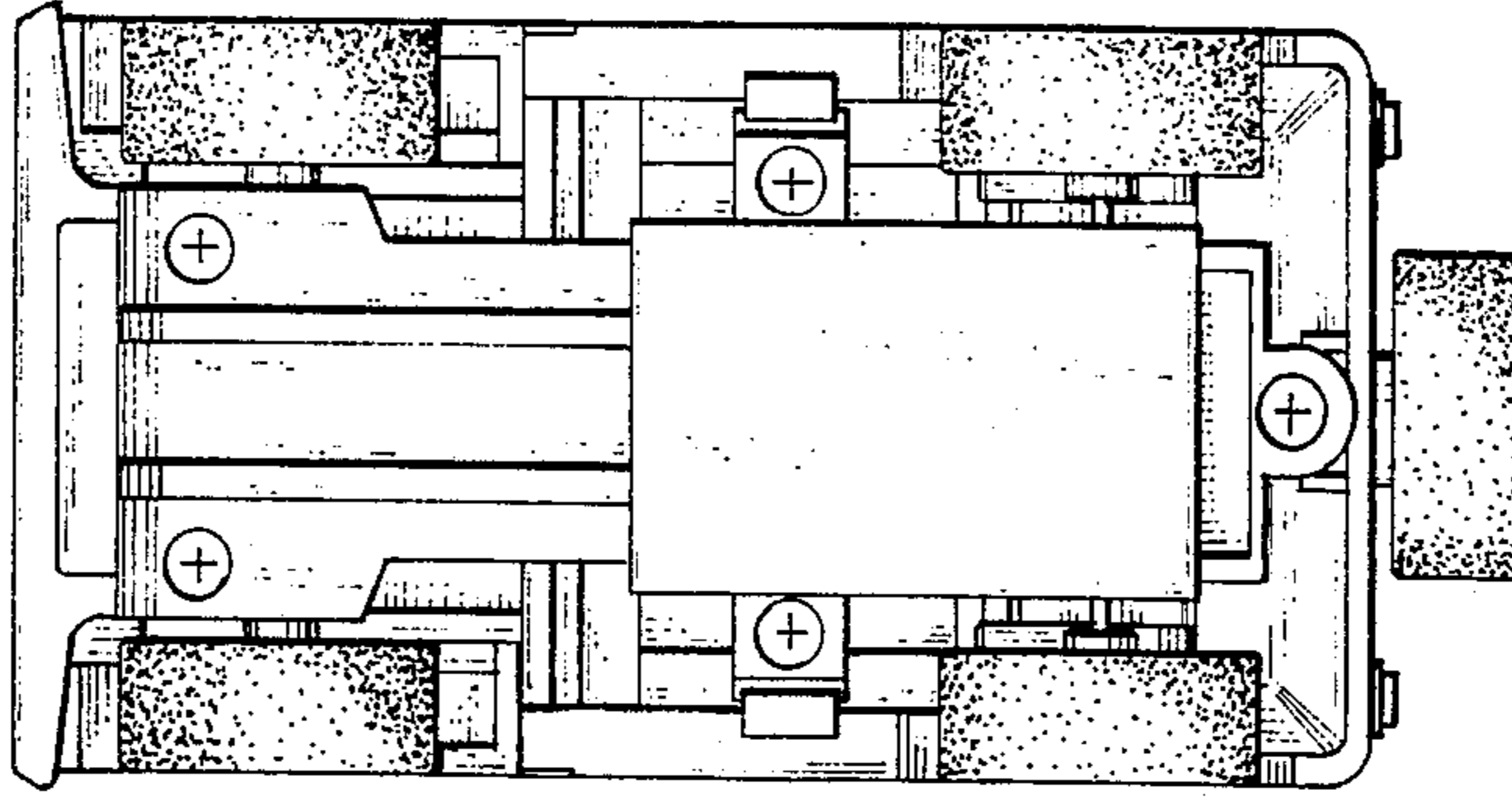


FIG. 8

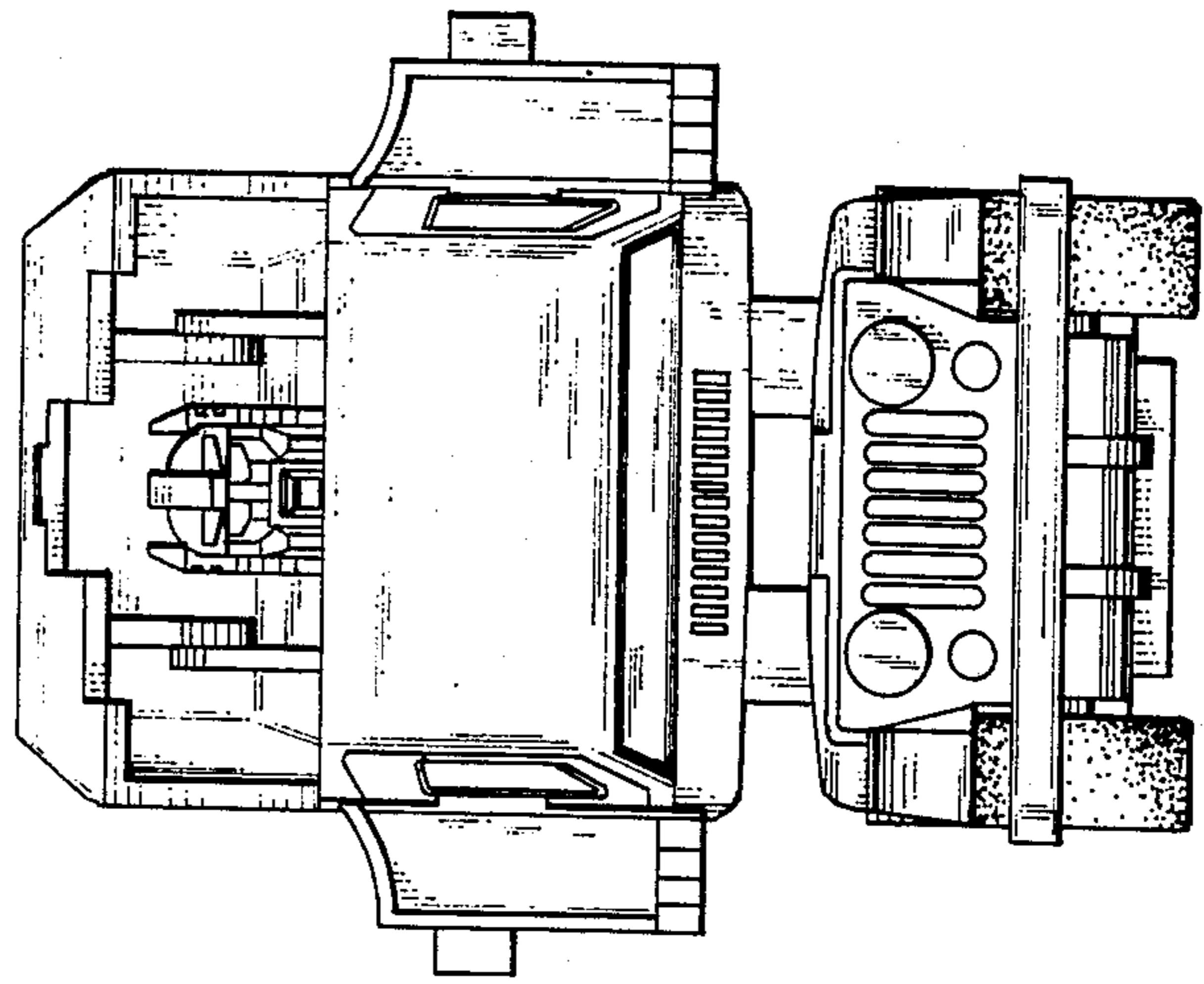


FIG. 7

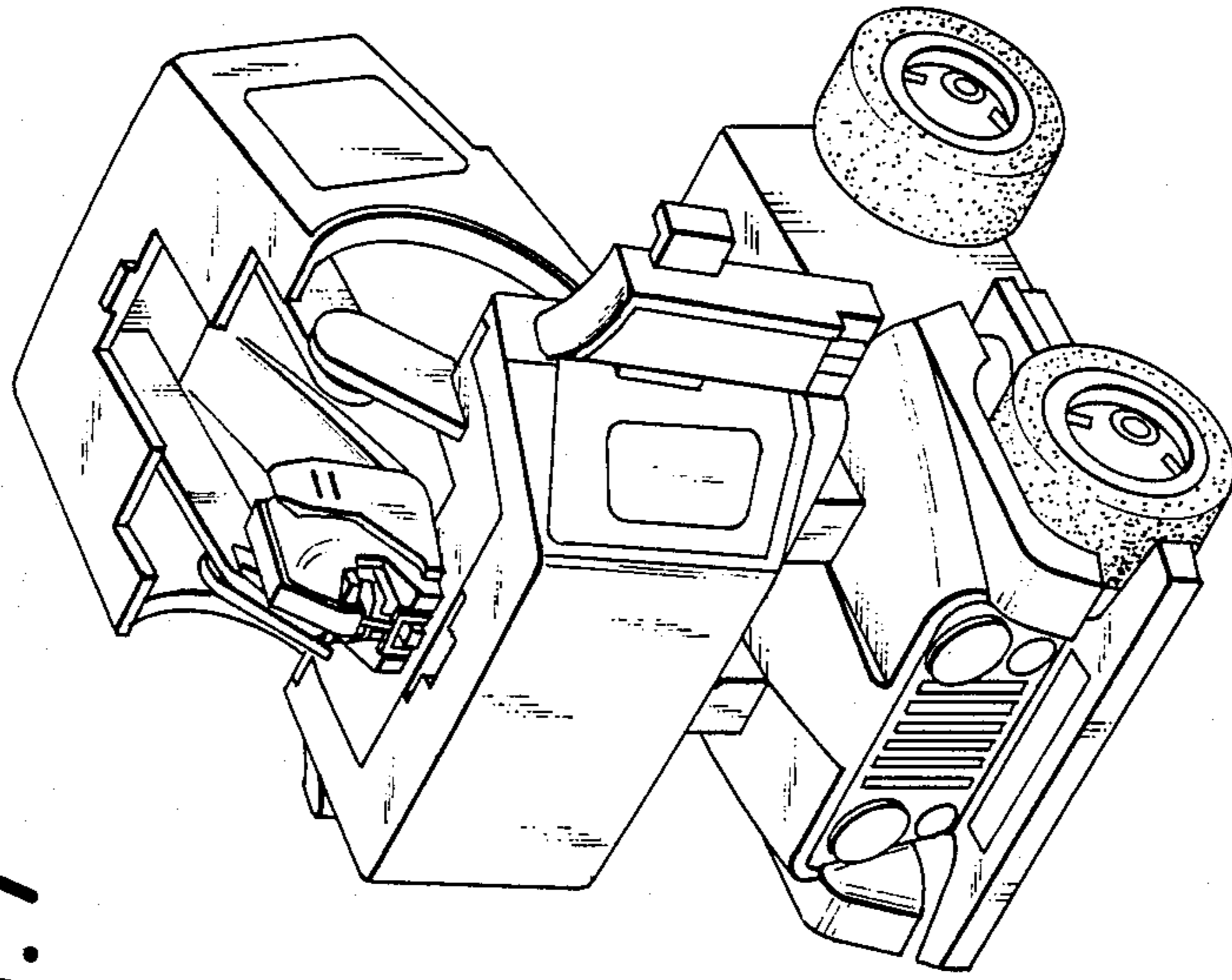


FIG.10

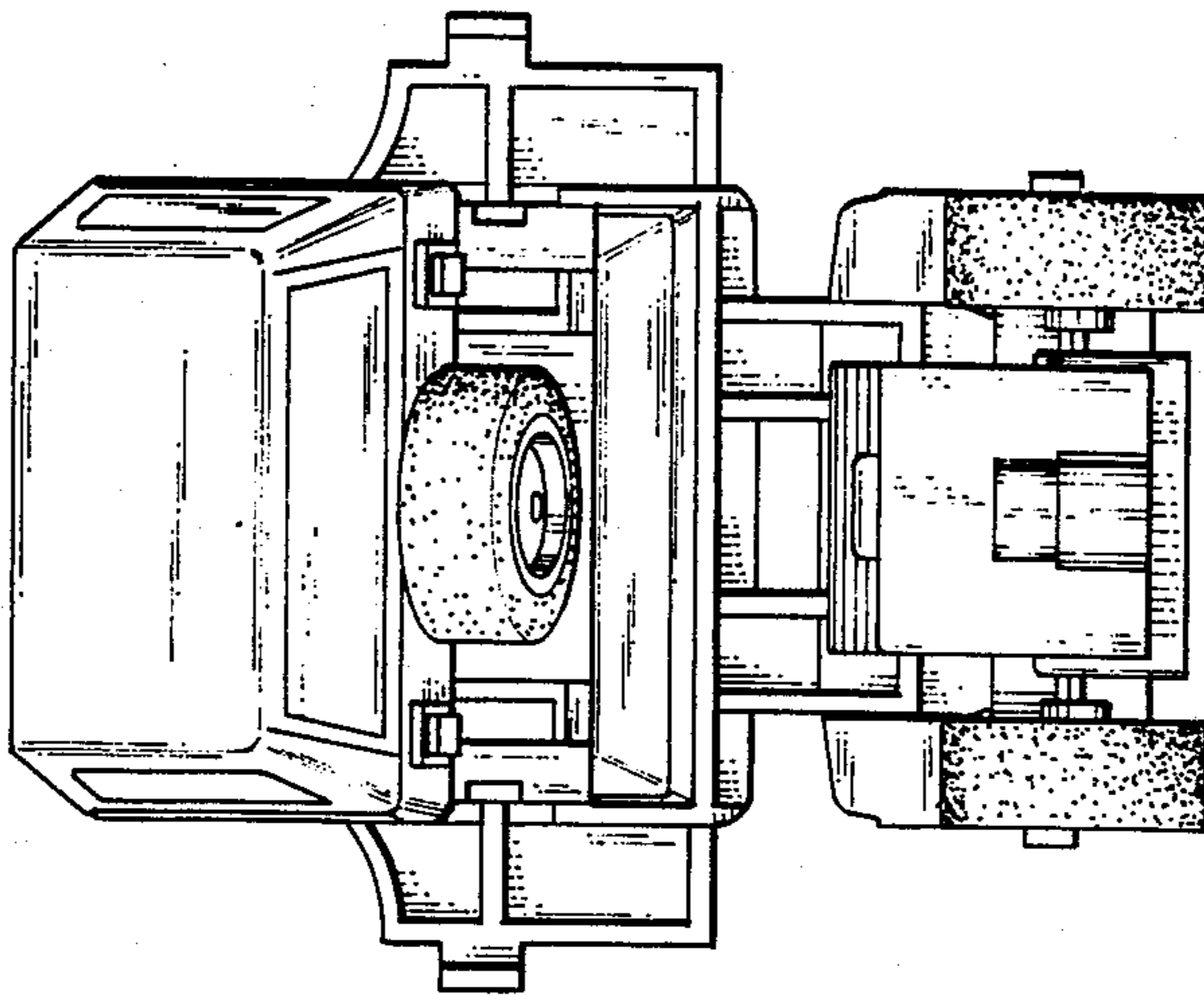


FIG.9

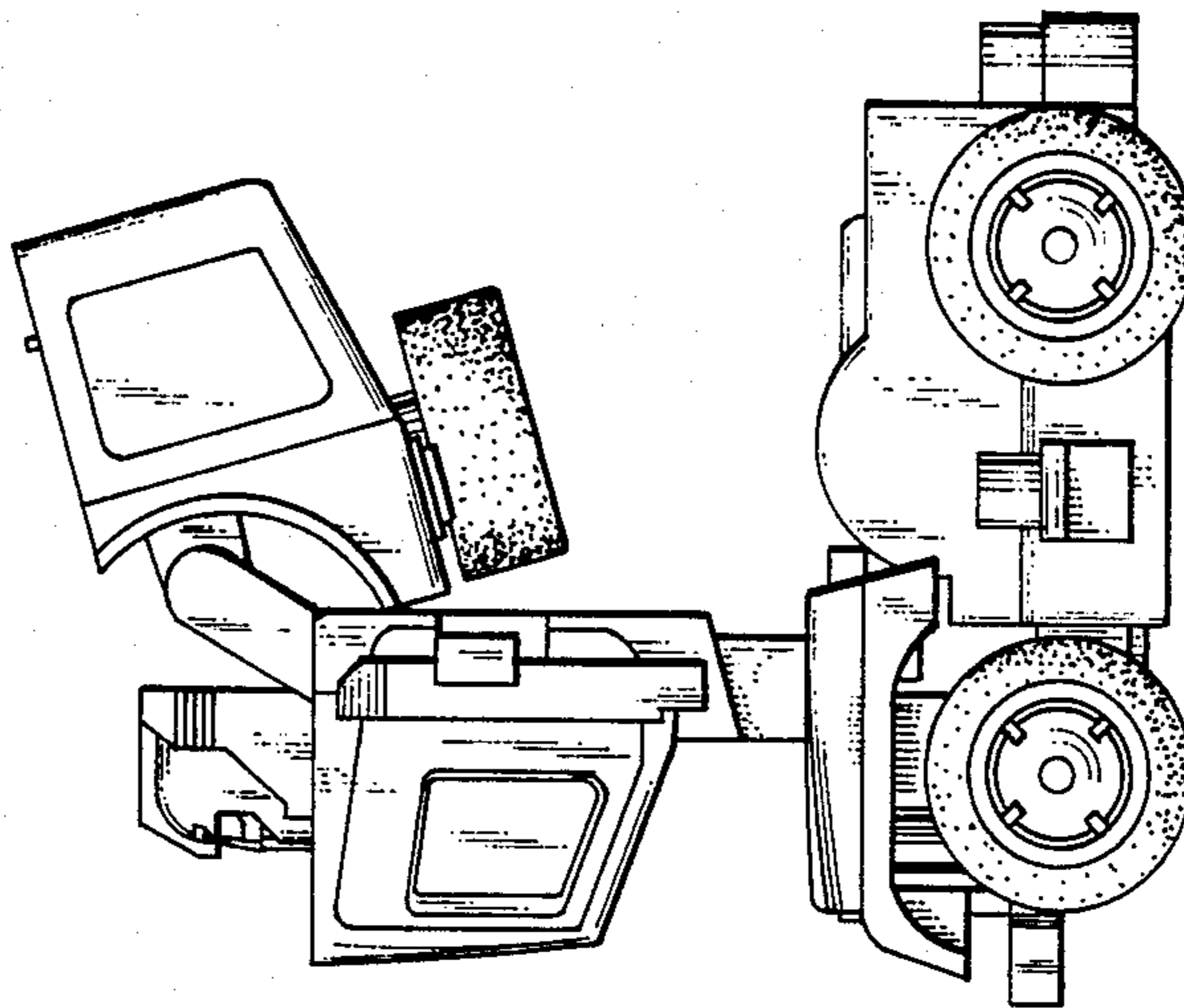


FIG.12

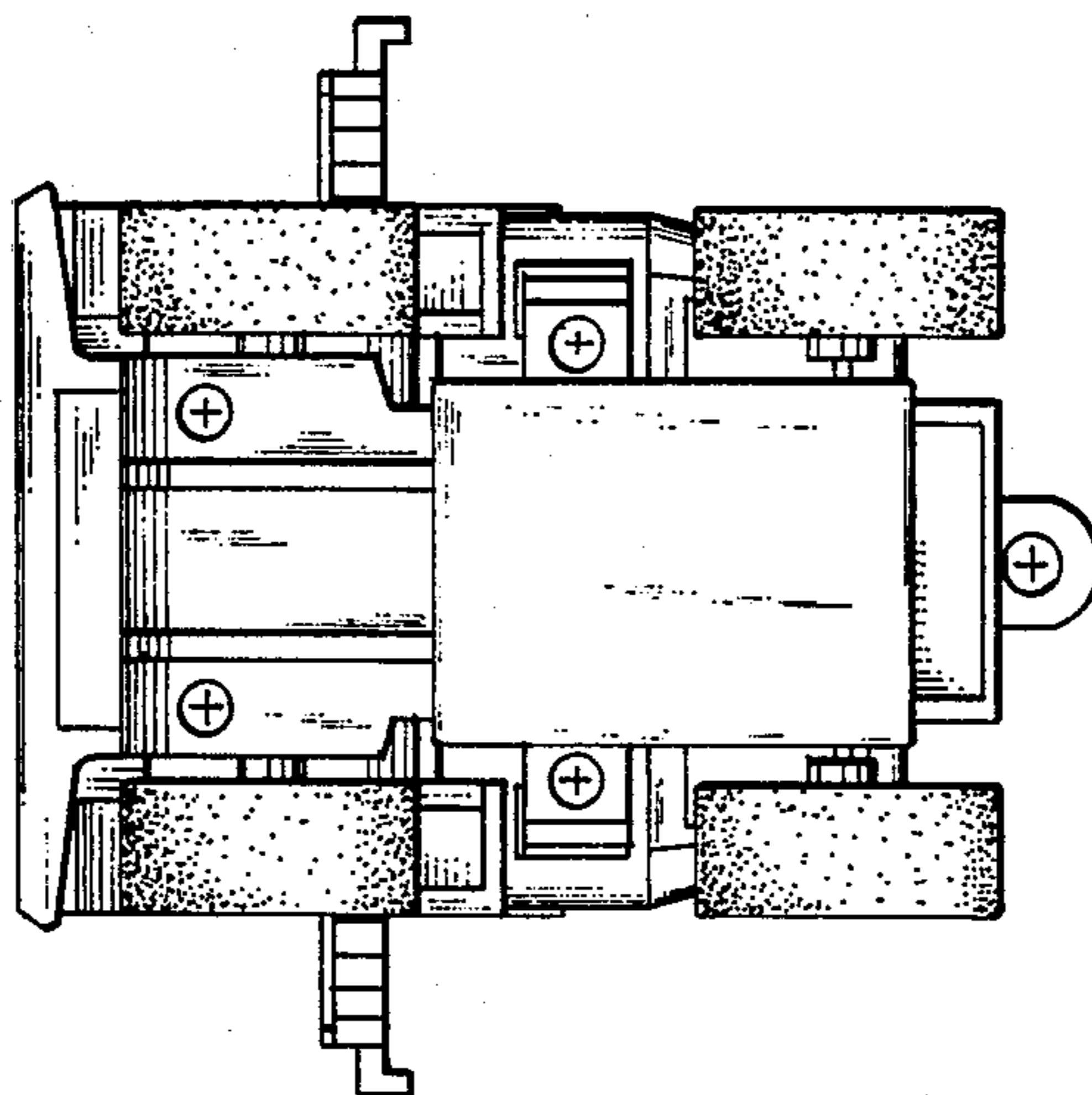


FIG.11

