

[54] RECONFIGURABLE TOY VEHICLE

[75] Inventor: Takayuki Ishizawa, Souka, Japan

[73] Assignee: Takara Co. Ltd., Tokyo, Japan

[**] Term: 14 Years

[21] Appl. No.: 930,222

[22] Filed: Nov. 12, 1986

[30] Foreign Application Priority Data

Sep. 22, 1986 [JP] Japan 61-37445

[52] U.S. Cl. D21/150; D21/136;
D21/166

[58] Field of Search D21/150, 136, 128, 137-140,
D21/166; D12/86, 88, 96; 496/71-78, 94, 97,
383, 381, 487

[56] References Cited

U.S. PATENT DOCUMENTS

- D. 221,094 7/1971 Greenwood D21/137
- D. 246,849 1/1978 Hart D12/90
- D. 281,087 10/1985 Ohno D21/150
- D. 295,302 4/1988 Yoke D21/150

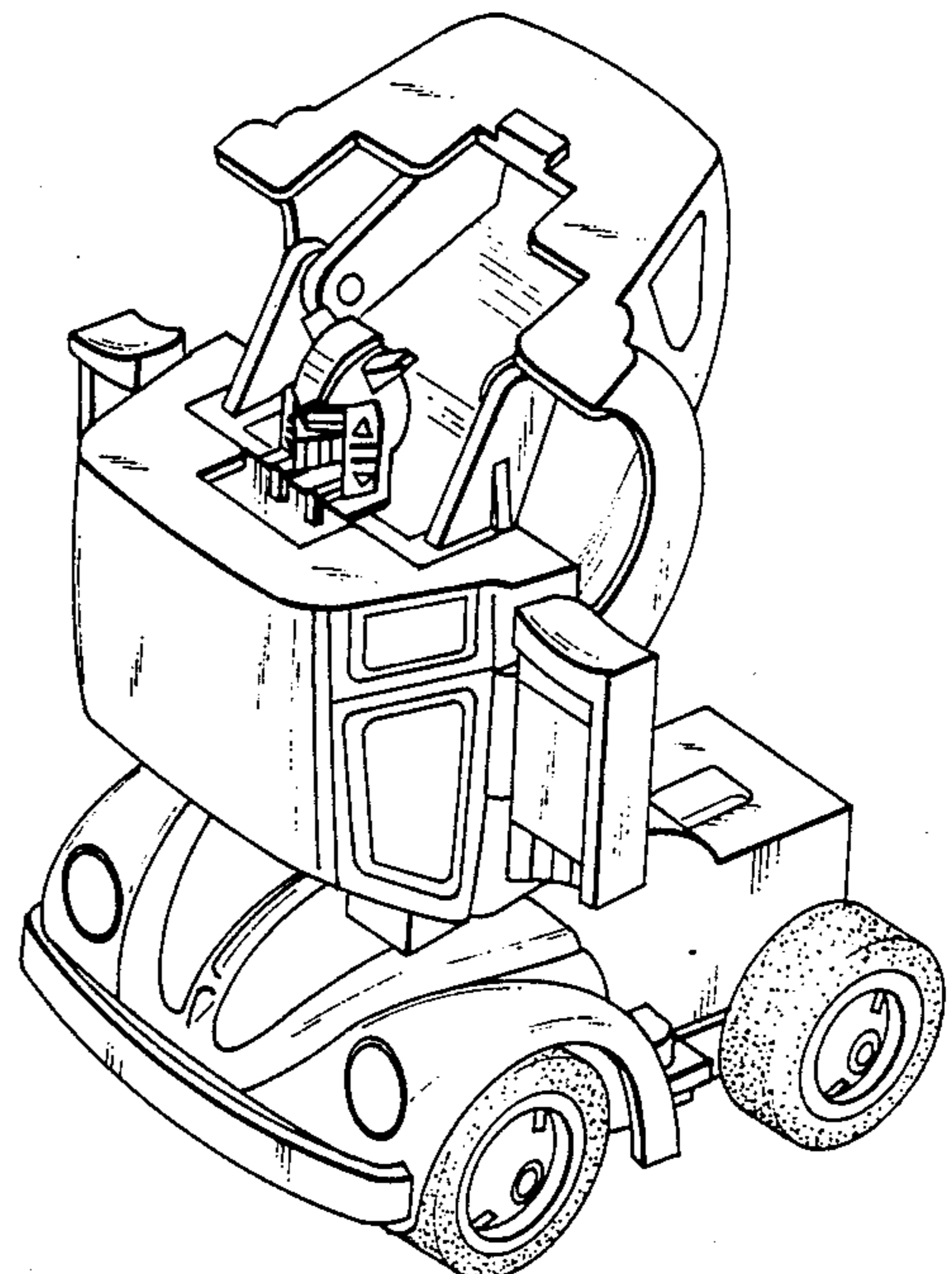
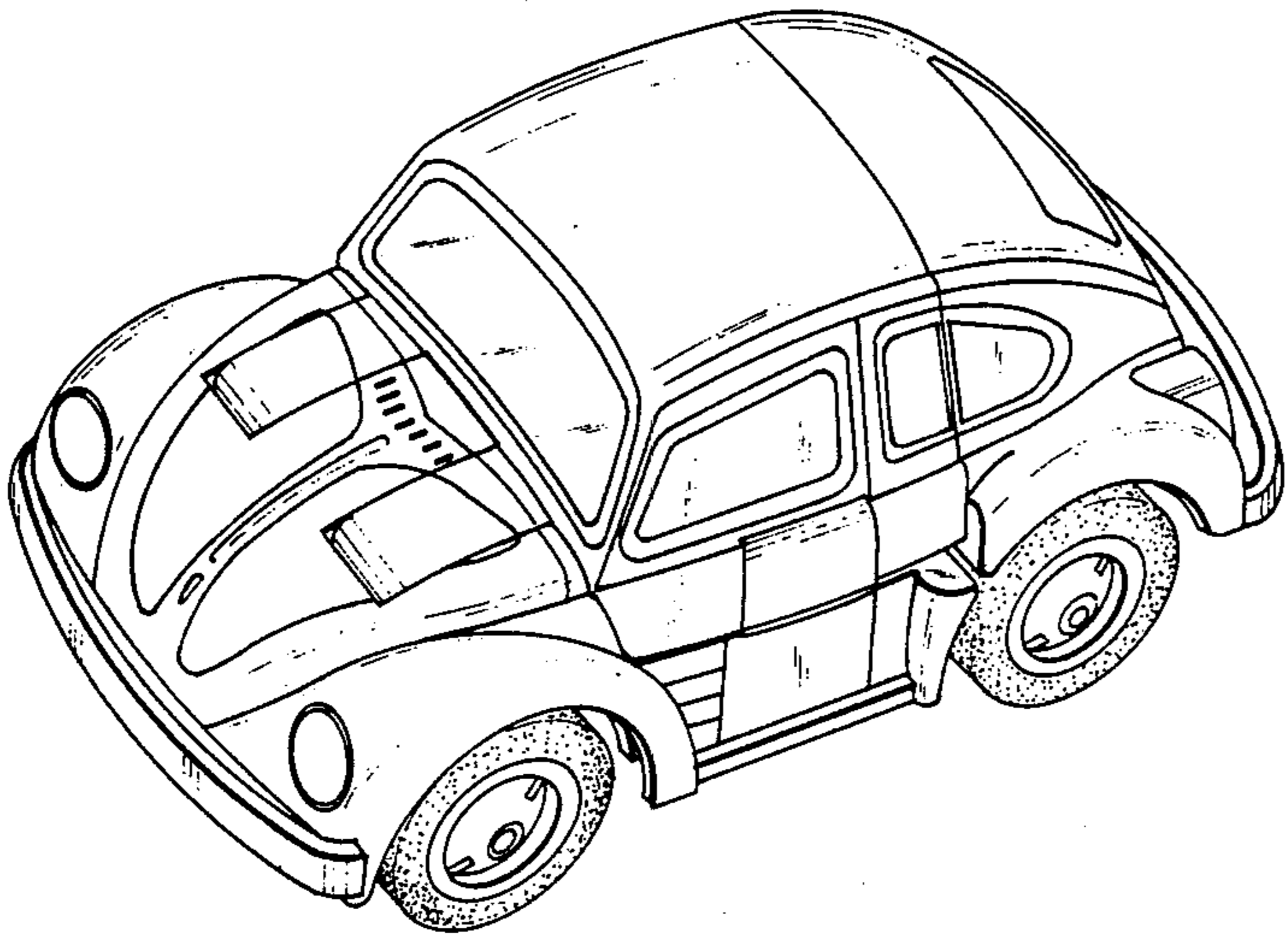
Primary Examiner—Charles A. Rademaker
Attorney, Agent, or Firm—Price, Gess & Ubell

[57] CLAIM

The ornamental design for a reconfigurable toy vehicle, as shown and described.

DESCRIPTION

FIG. 1 is a front perspective view of a reconfigurable toy vehicle showing my new design;
FIG. 2 is a front elevational view thereof;
FIG. 3 is a right side elevational view thereof, the side opposite being a mirror image;
FIG. 4 is a rear elevational view thereof;
FIG. 5 is a top plan view thereof;
FIG. 6 is a bottom plan view thereof;
FIG. 7 is another front perspective view of the design shown in FIGS. 1 through 6 in a humanoid robot reconfiguration;
FIG. 8 is a front elevational view thereof;
FIG. 9 is a right side elevational view thereof, the side opposite being a mirror image;
FIG. 10 is a rear elevational view thereof;
FIG. 11 is a top plan view thereof; and
FIG. 12 is a bottom plan view thereof.



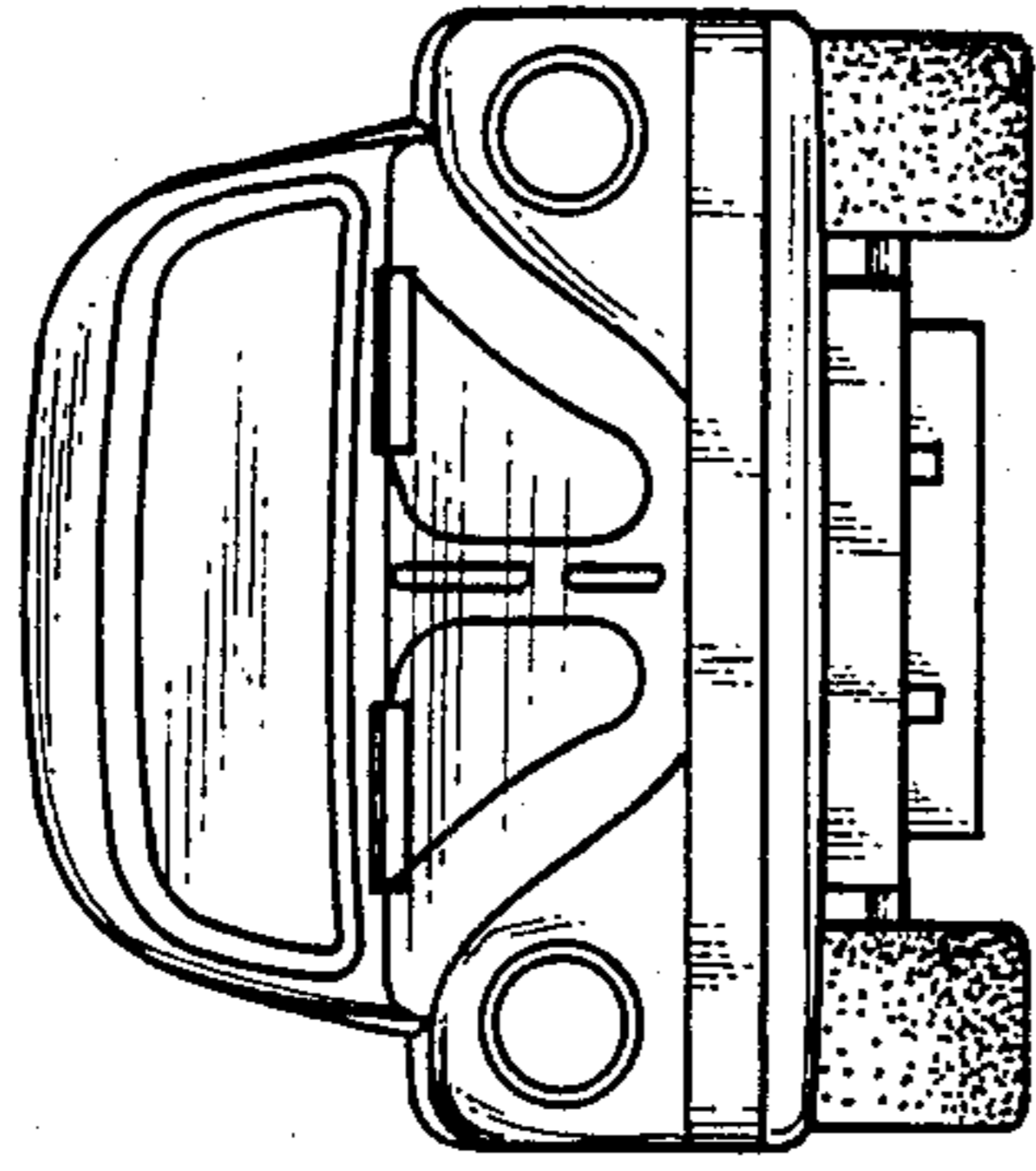


FIG. 2

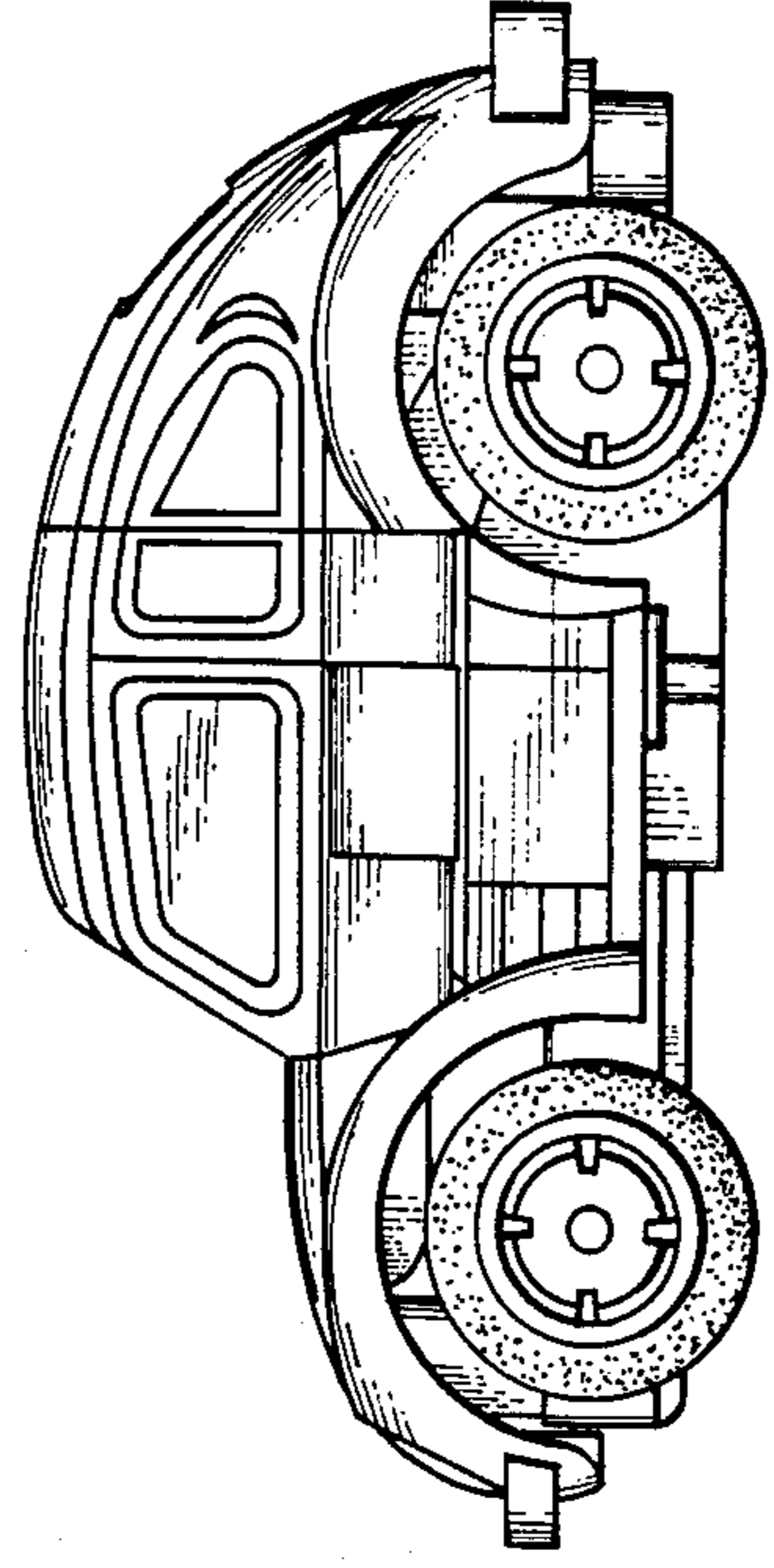


FIG. 3

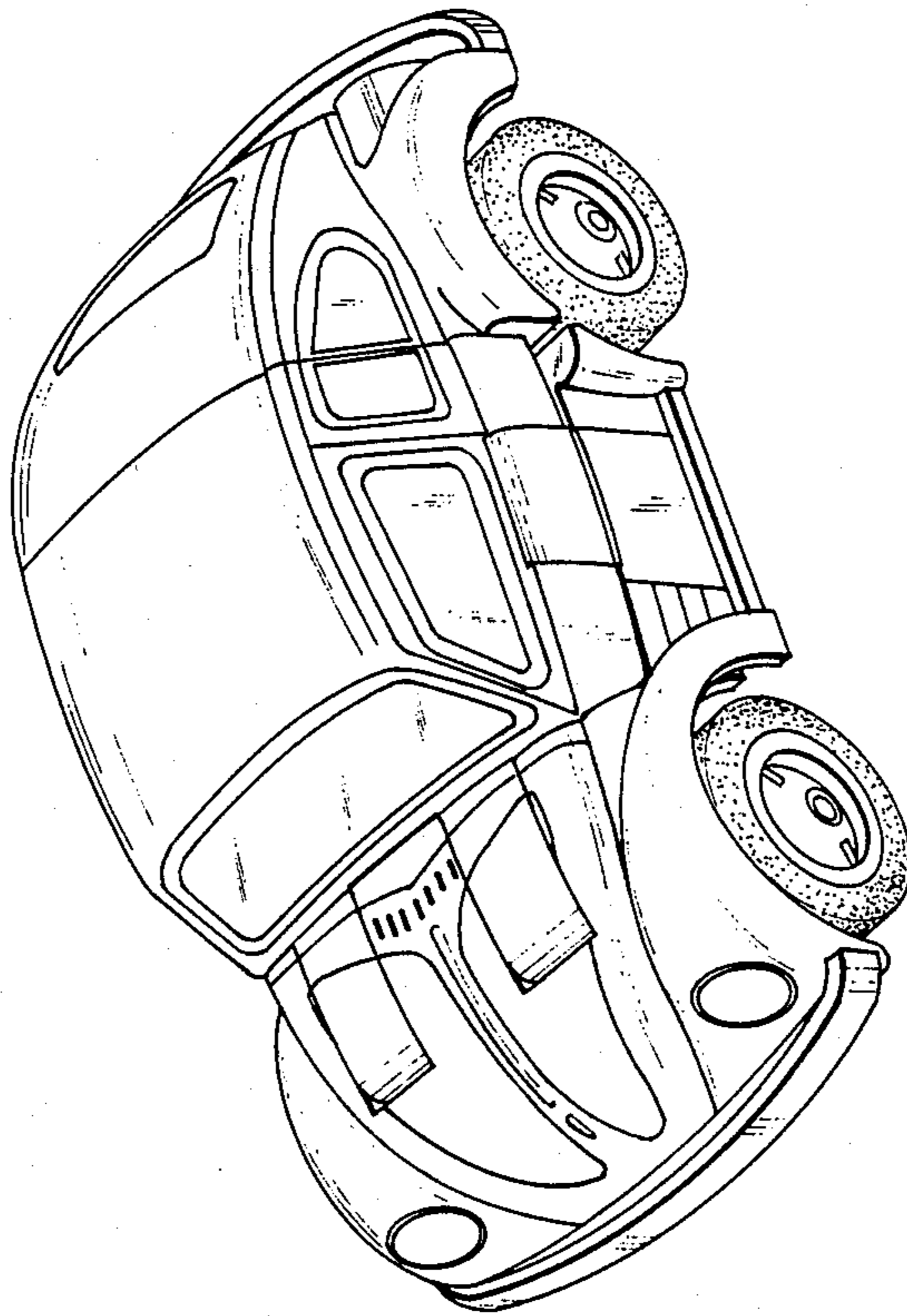


FIG. 1

FIG. 6

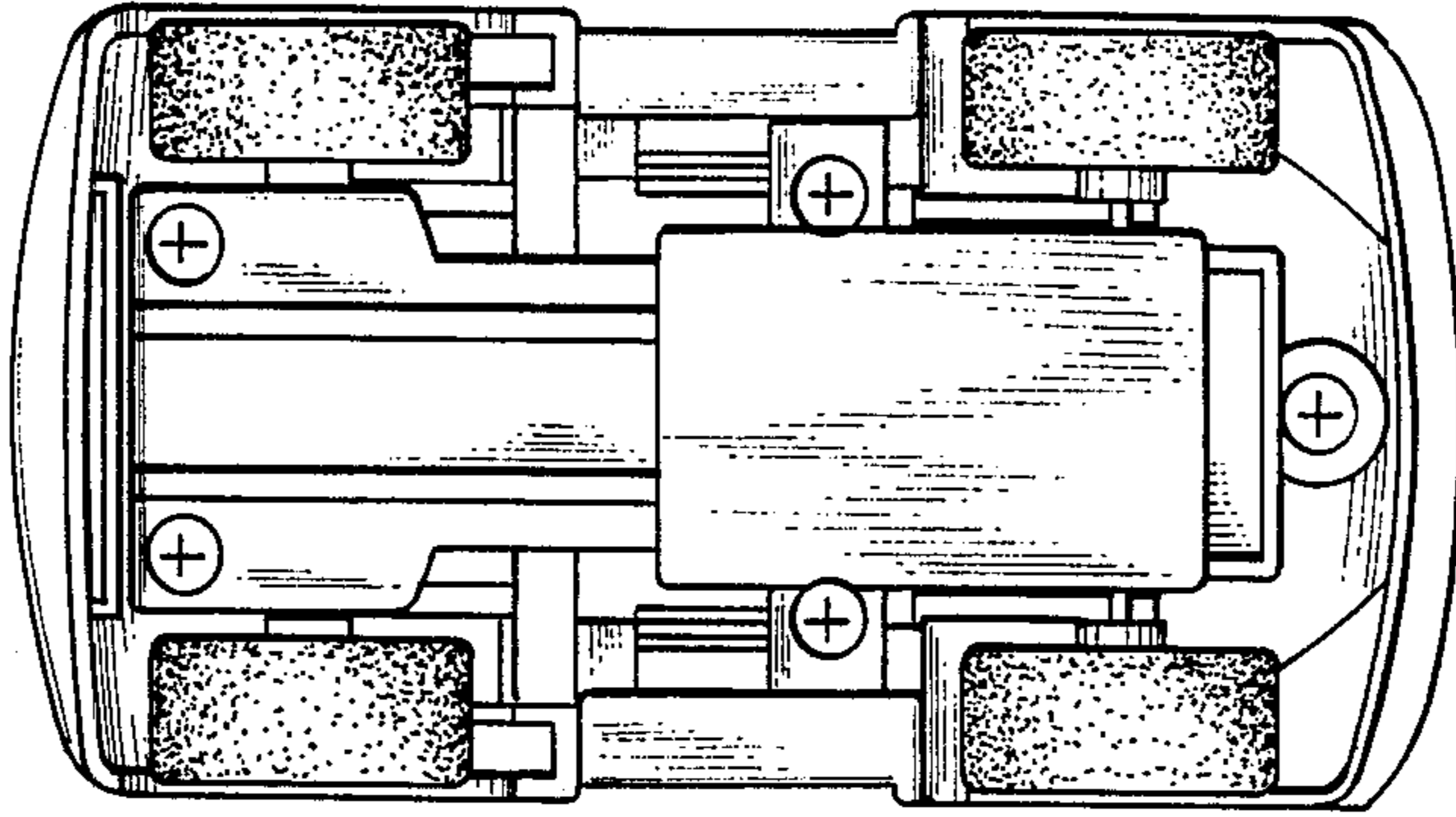


FIG. 5

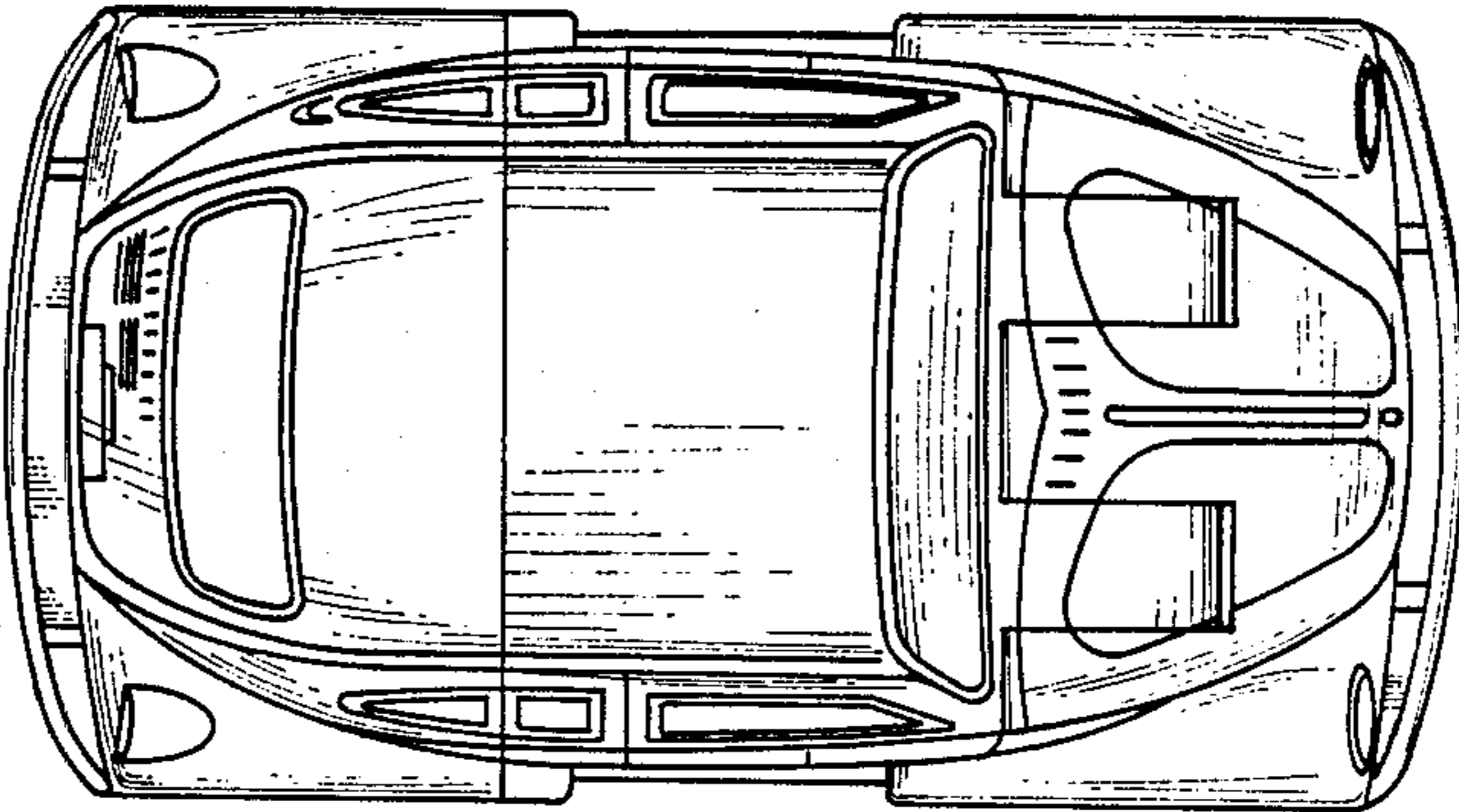


FIG. 4

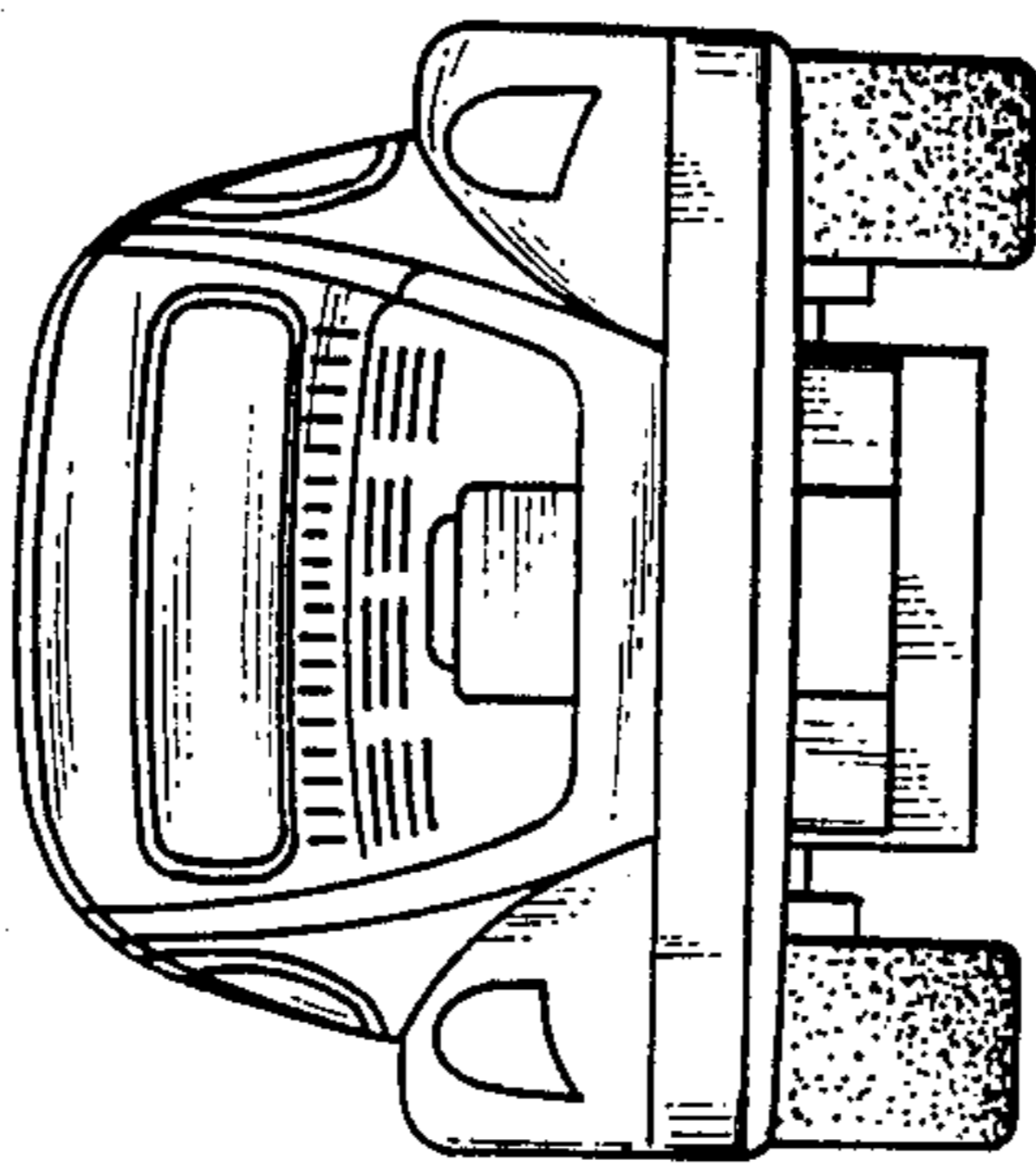


FIG. 8

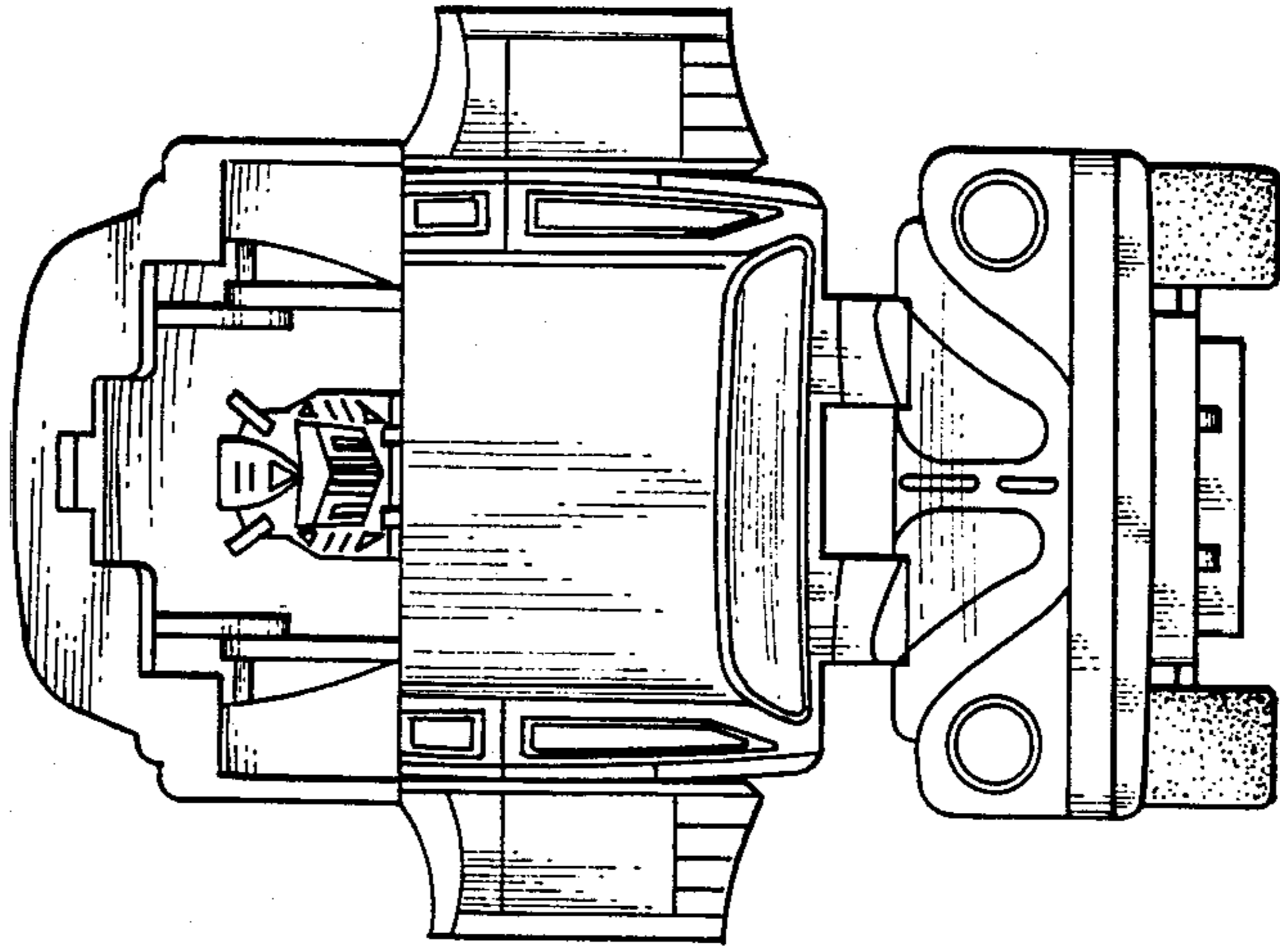


FIG. 7

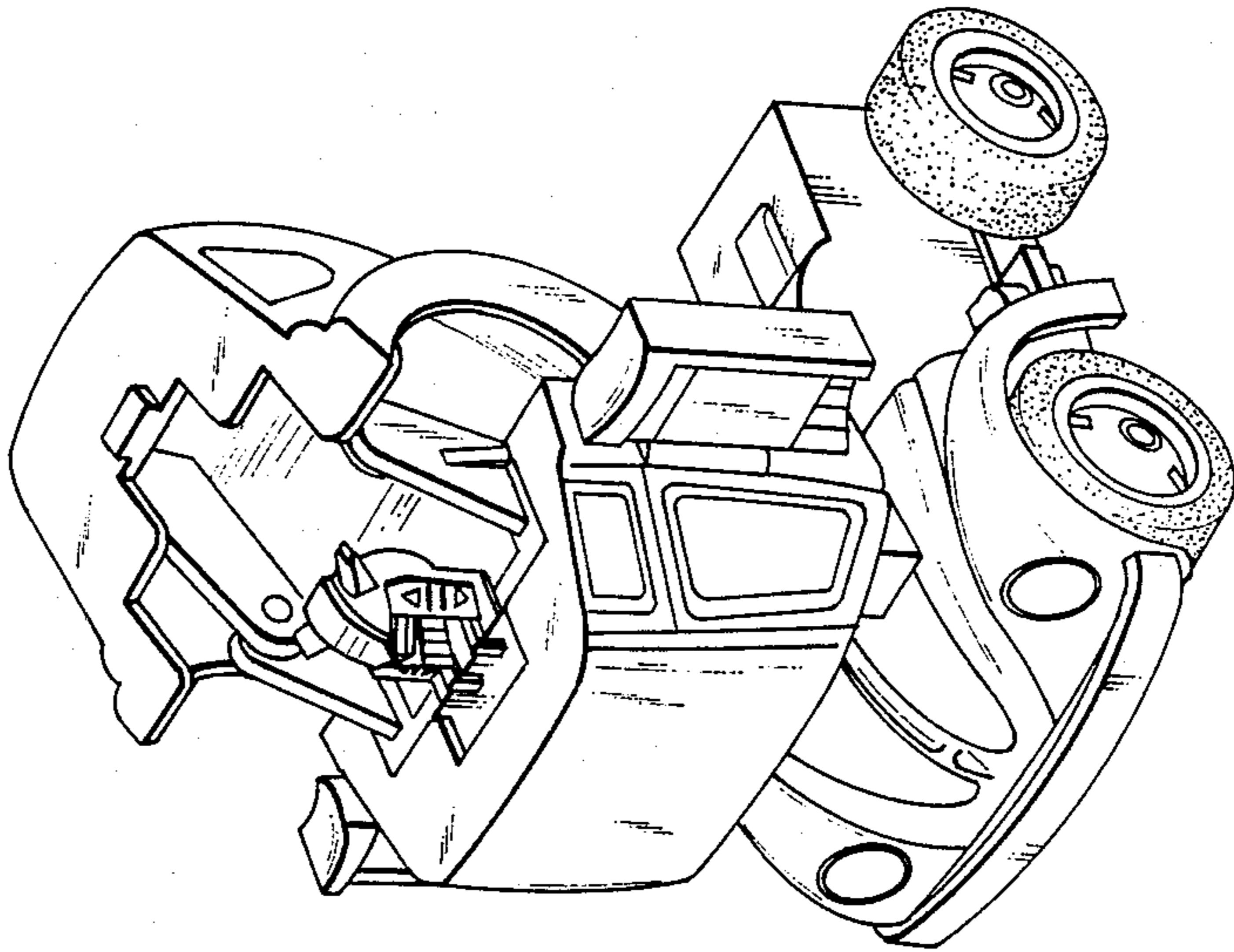


FIG. 10

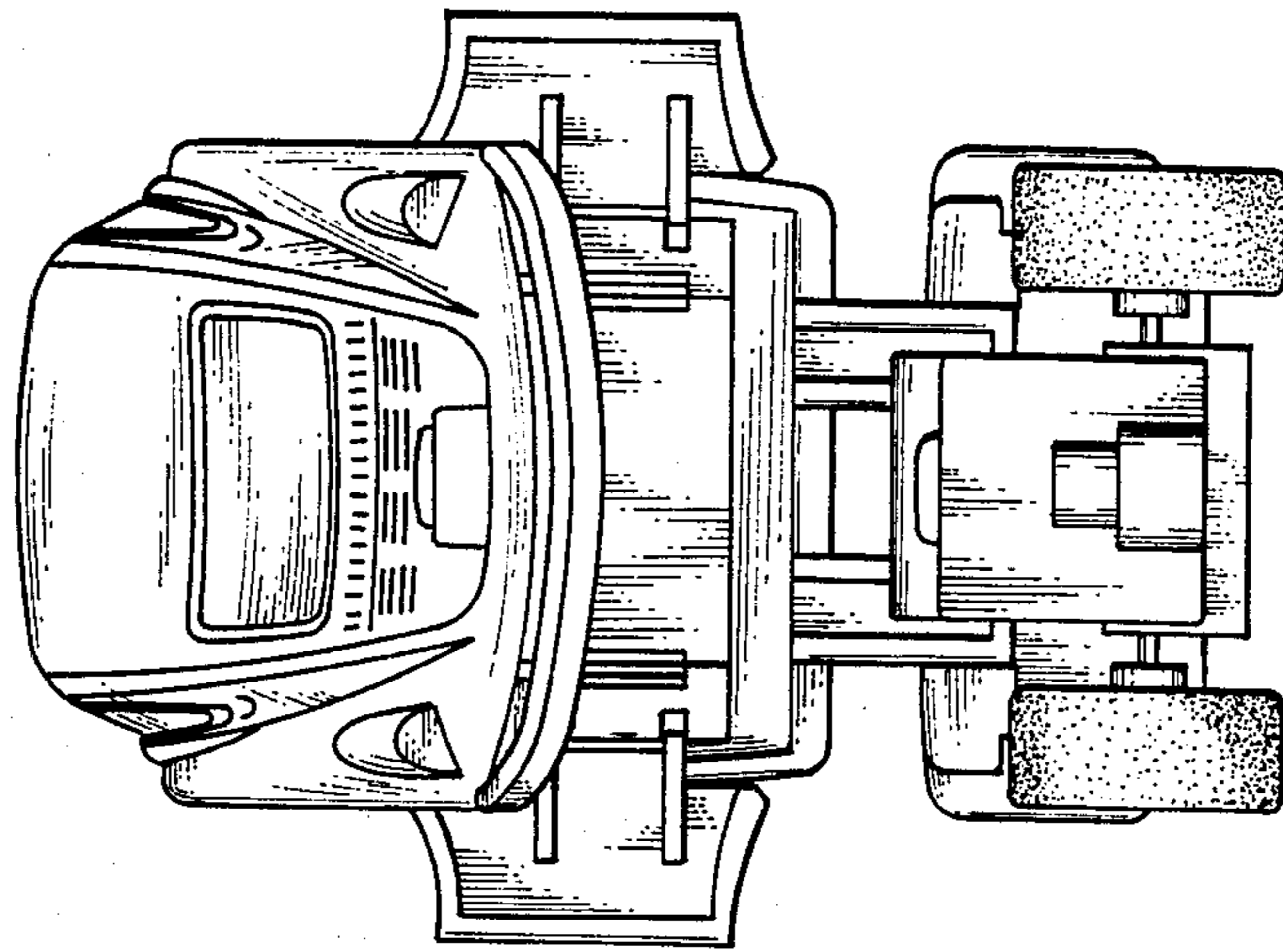


FIG. 9

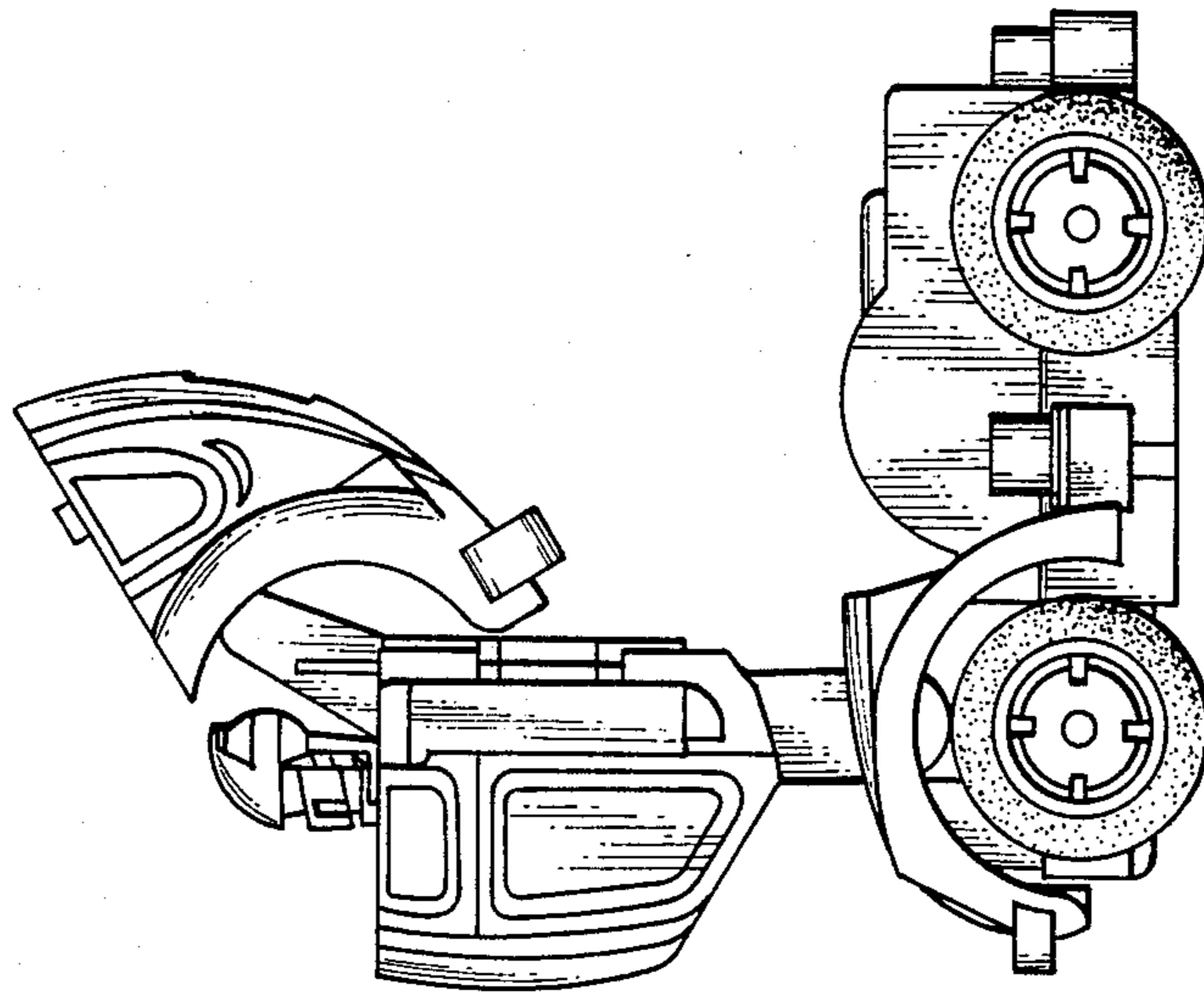


FIG.12

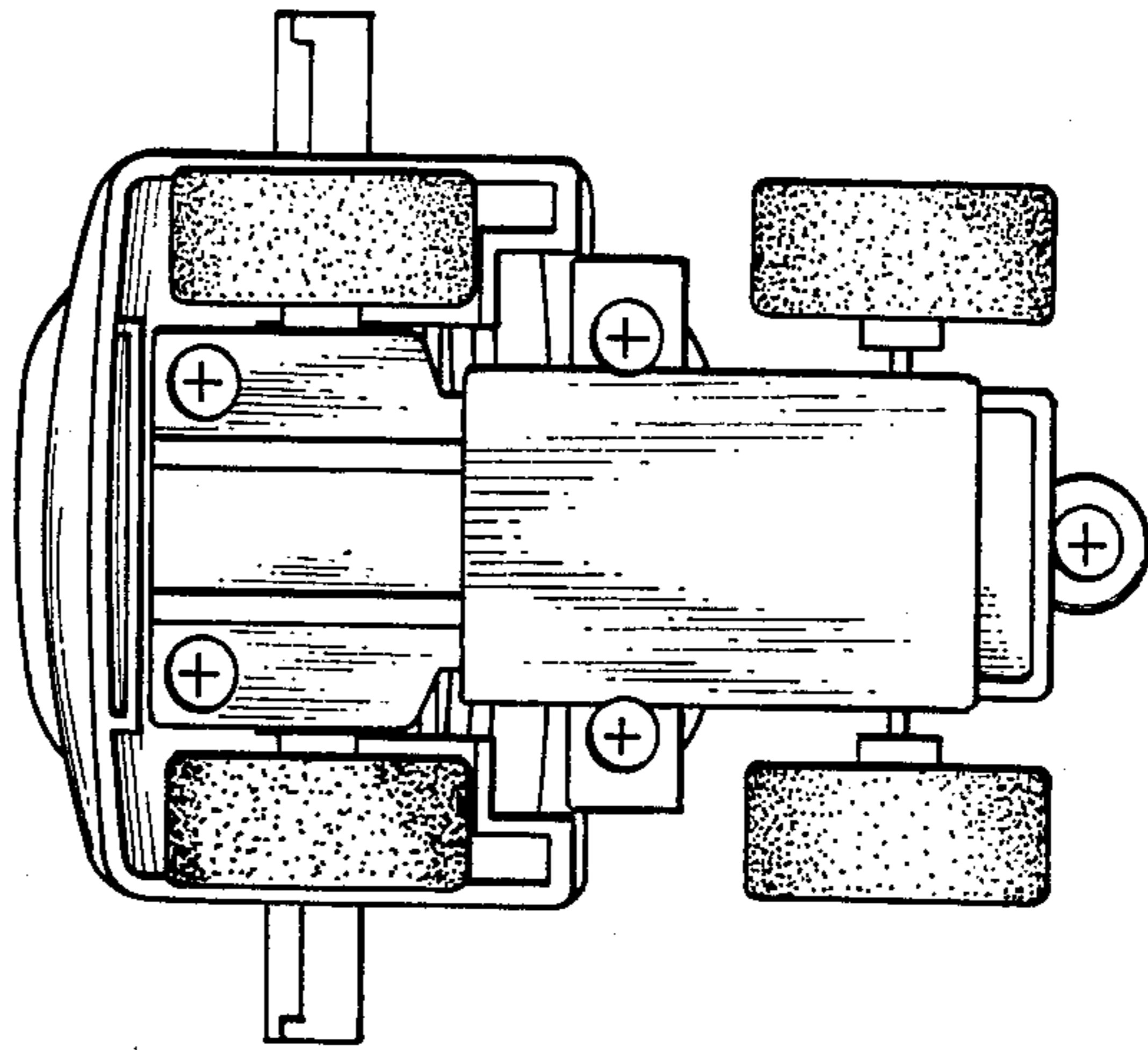


FIG.11

