

[54] RECONFIGURABLE ROBOTIC HUMANOID TOY ASSEMBLY

[75] Inventor: Kouzin Ohno, Tokyo, Japan

[73] Assignee: Takara Co., Ltd., Tokyo, Japan

[\*\*] Term: 14 Years

[21] Appl. No.: 821,833

[22] Filed: Jan. 23, 1986

[30] Foreign Application Priority Data

Sep. 12, 1985 [JP] Japan ..... 60-38640  
 [52] U.S. Cl. .... D21/150  
 [58] Field of Search ..... D21/150; 446/93-99,  
 446/376, 268, 71-75, 487

[56] References Cited

U.S. PATENT DOCUMENTS

D. 287,381 12/1986 Ohno ..... D21/155  
 4,516,948 5/1985 Obara ..... 446/97

Primary Examiner—Melvin B. Feifer

Attorney, Agent, or Firm—Price, Gess & Ubell

[57] CLAIM

The ornamental design for a reconfigurable robotic humanoid toy assembly, as shown and described.

DESCRIPTION

FIG. 1 is a front side perspective view of a reconfigurable robotic humanoid toy assembly showing my new design;  
 FIG. 2 is a front elevational view thereof;  
 FIG. 3 is a right side elevational view thereof;  
 FIG. 4 is a left side elevational view thereof;  
 FIG. 5 is a rear side elevational view thereof;  
 FIG. 6 is a top plan view thereof;  
 FIG. 7 is a bottom plan view thereof;  
 FIG. 8 is a front side perspective view of the toy being reconfigured into city playset in a battle station mode;  
 FIG. 9 is a front side perspective view of the toy reconfigured into city playset in a battle station mode;  
 FIG. 10 is a perspective view of the toy being reconfigured into city playset in a basic city form; and  
 FIG. 11 is a front side perspective view of the toy reconfigured into city playset in a basic city mode.

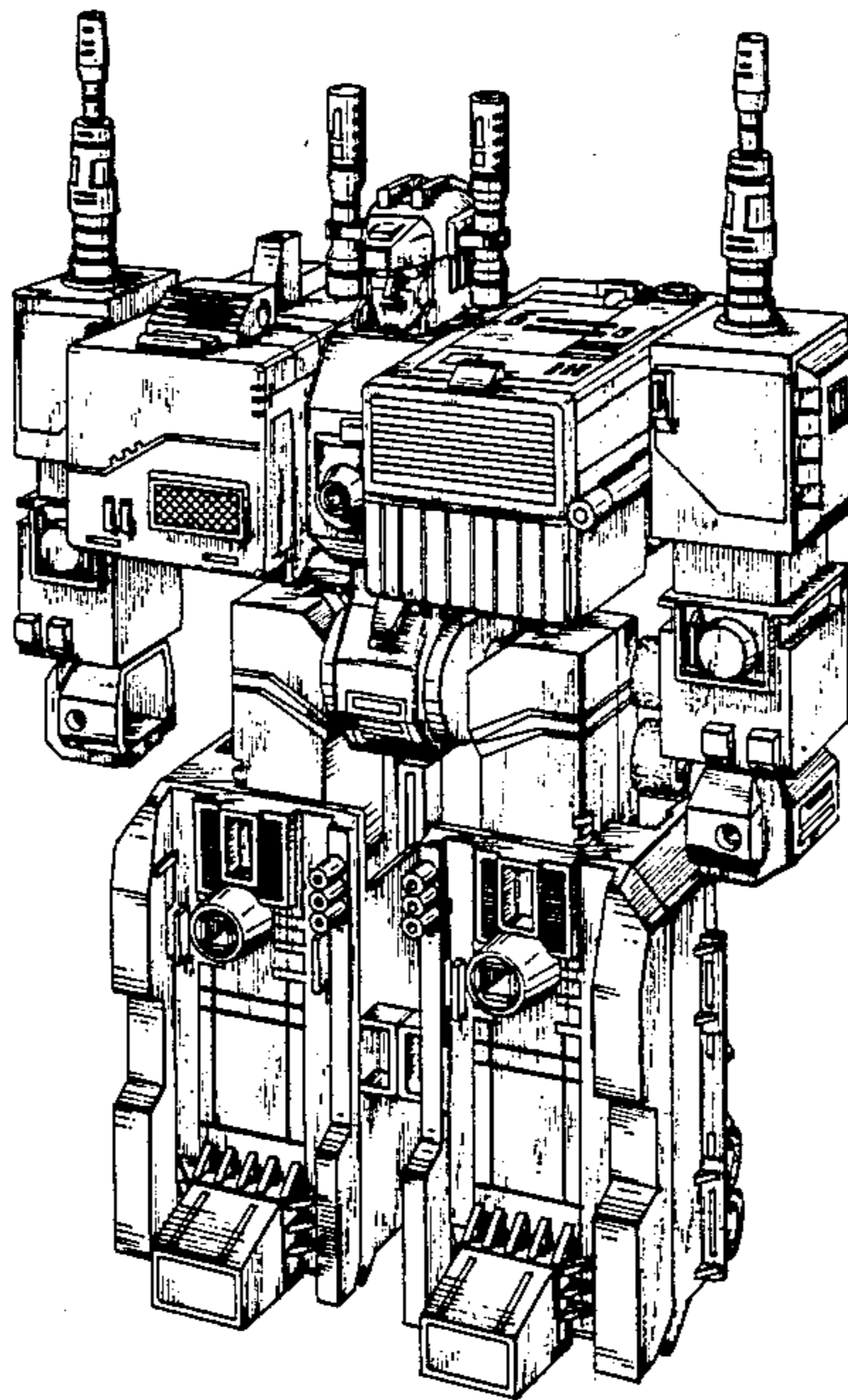


FIG. 1

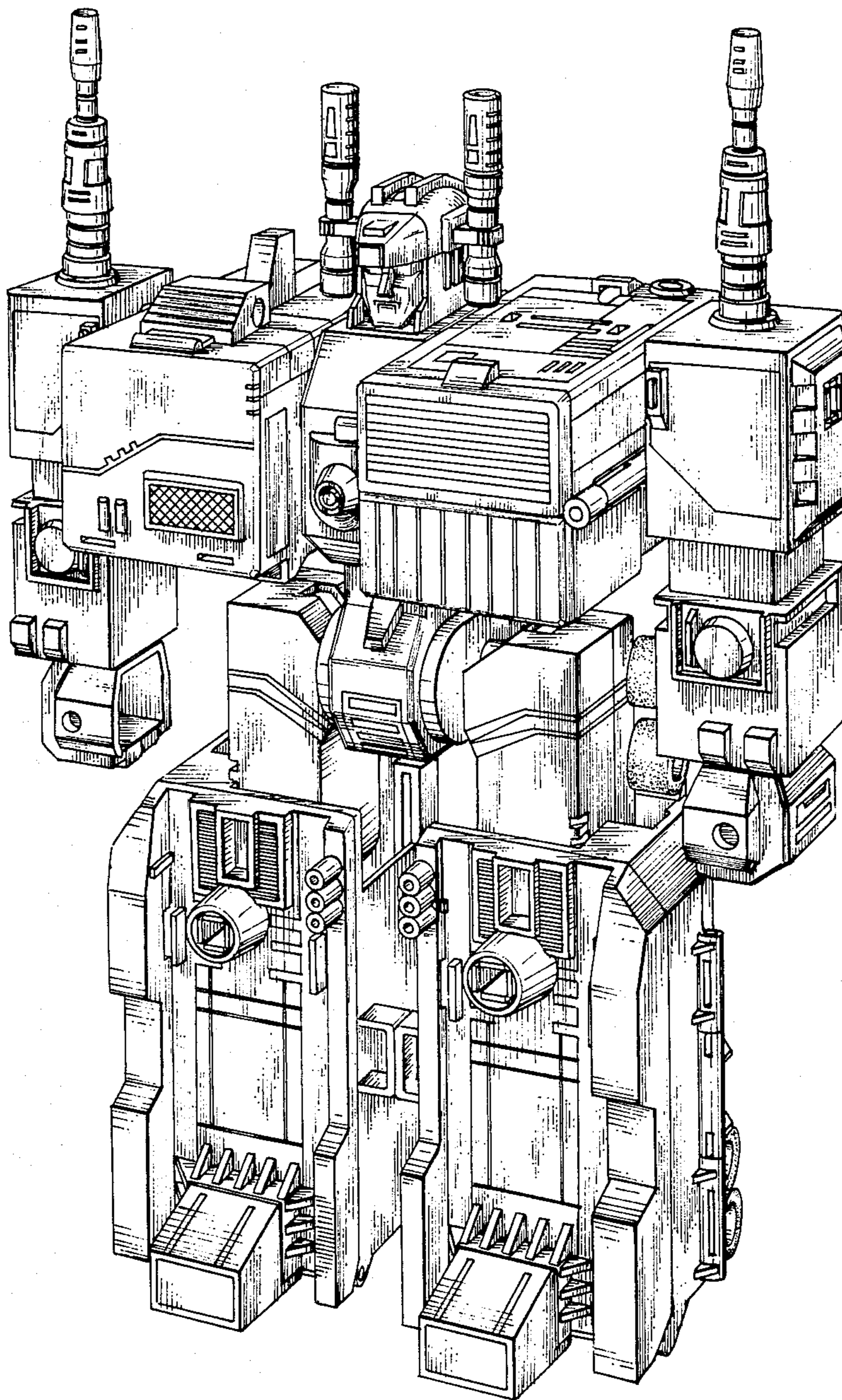


FIG. 2

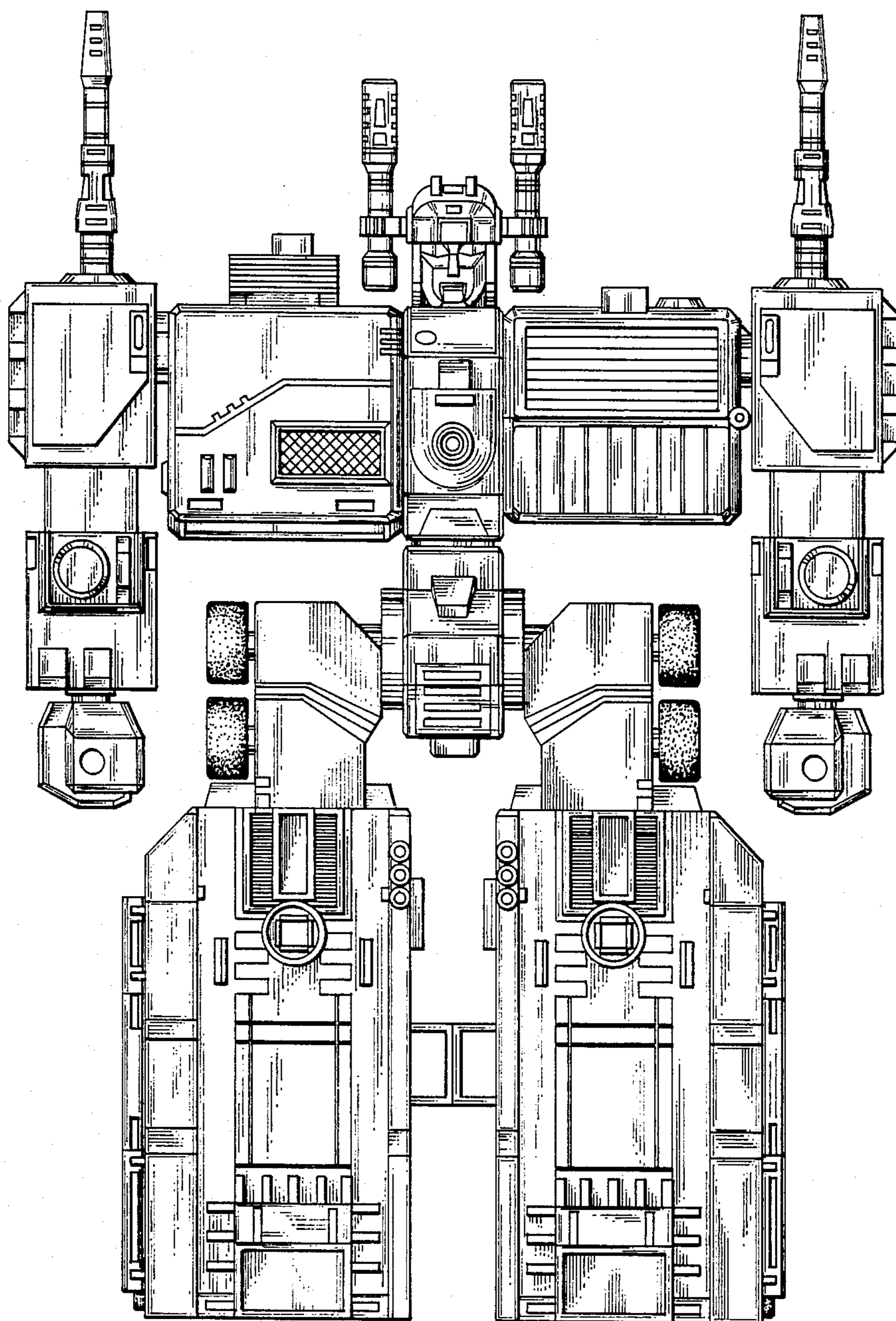


FIG. 3

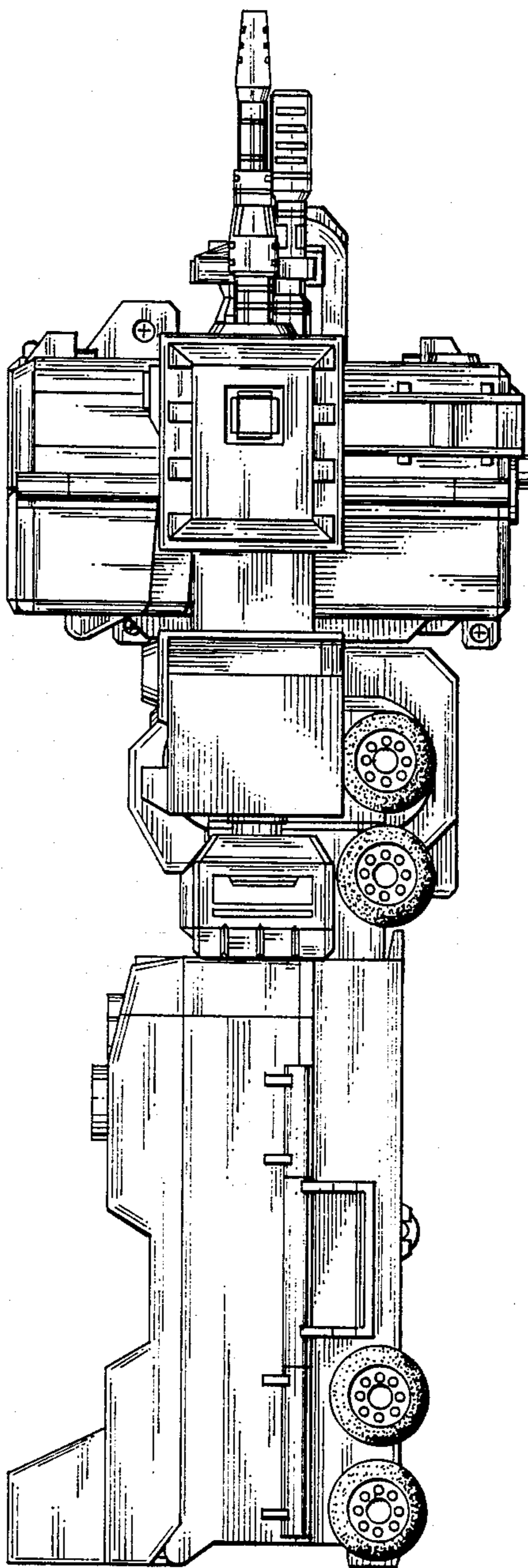


FIG. 4

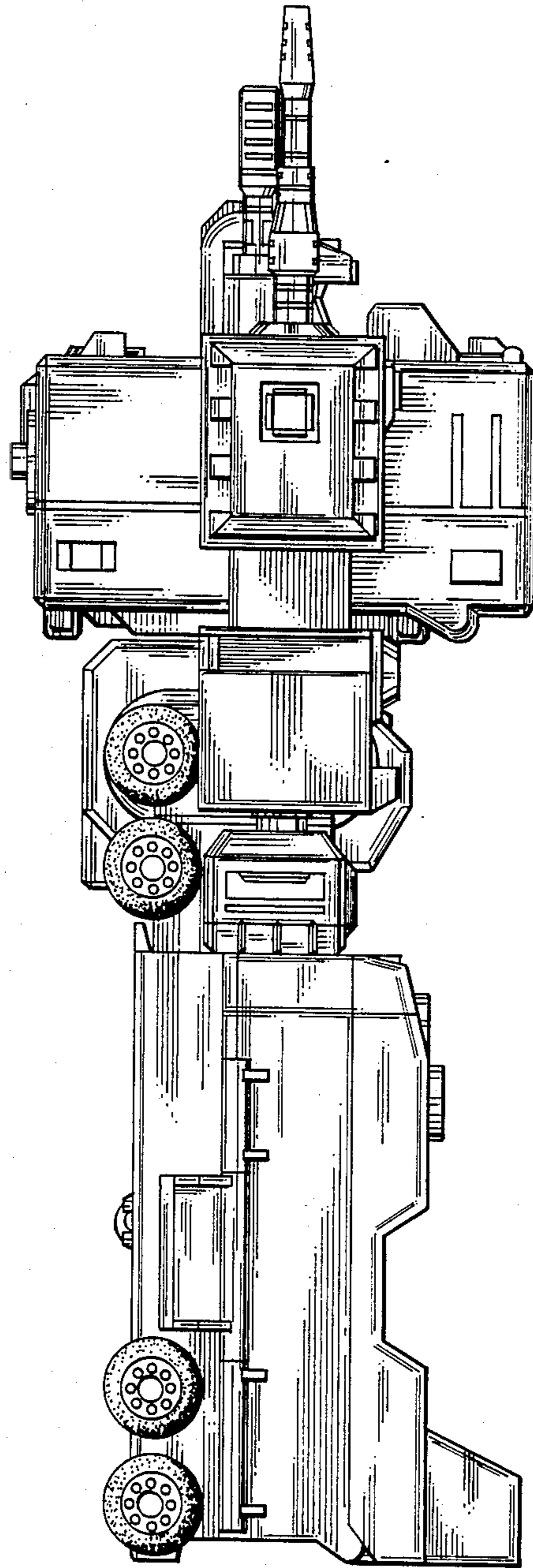


FIG. 5

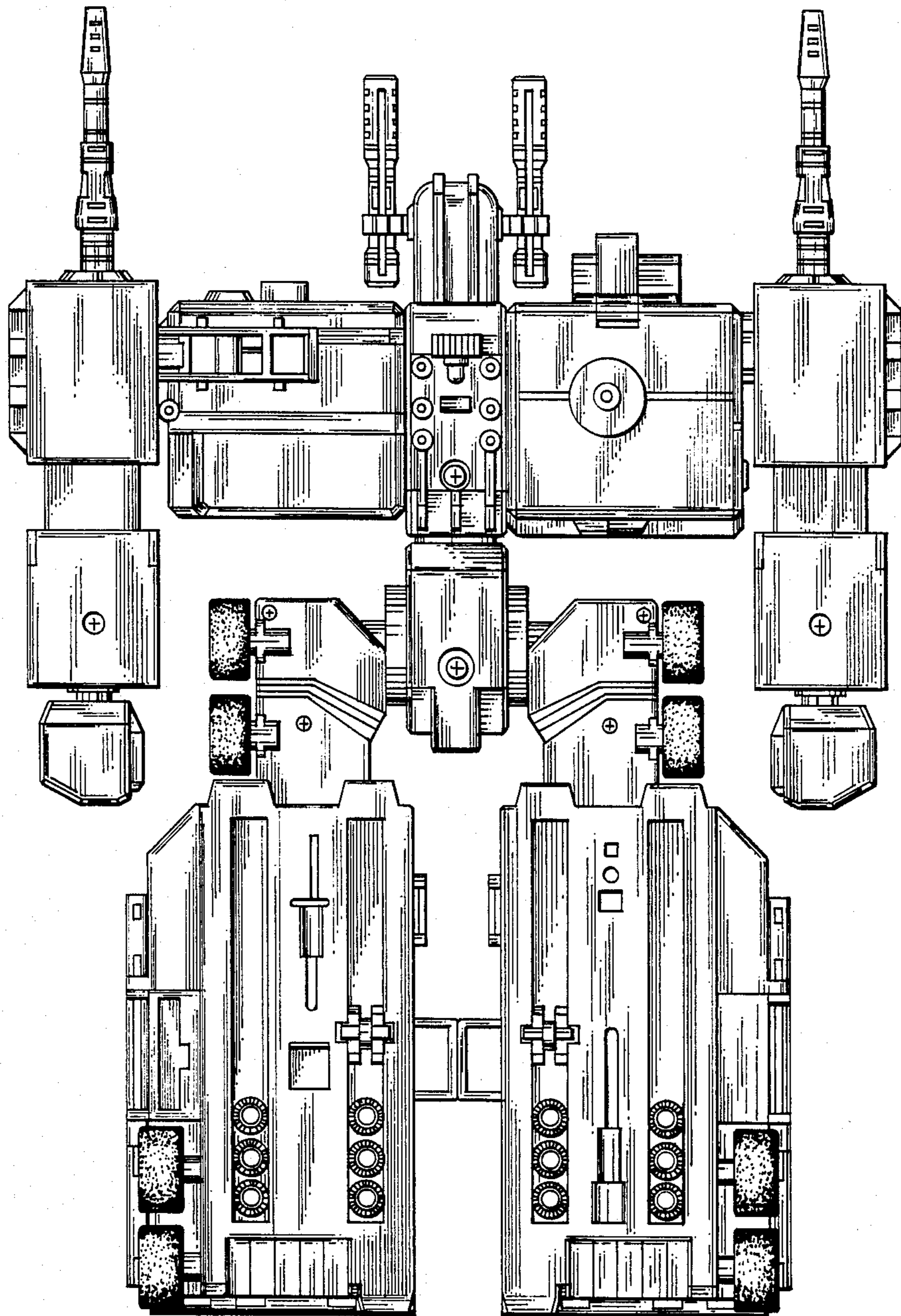


FIG. 6

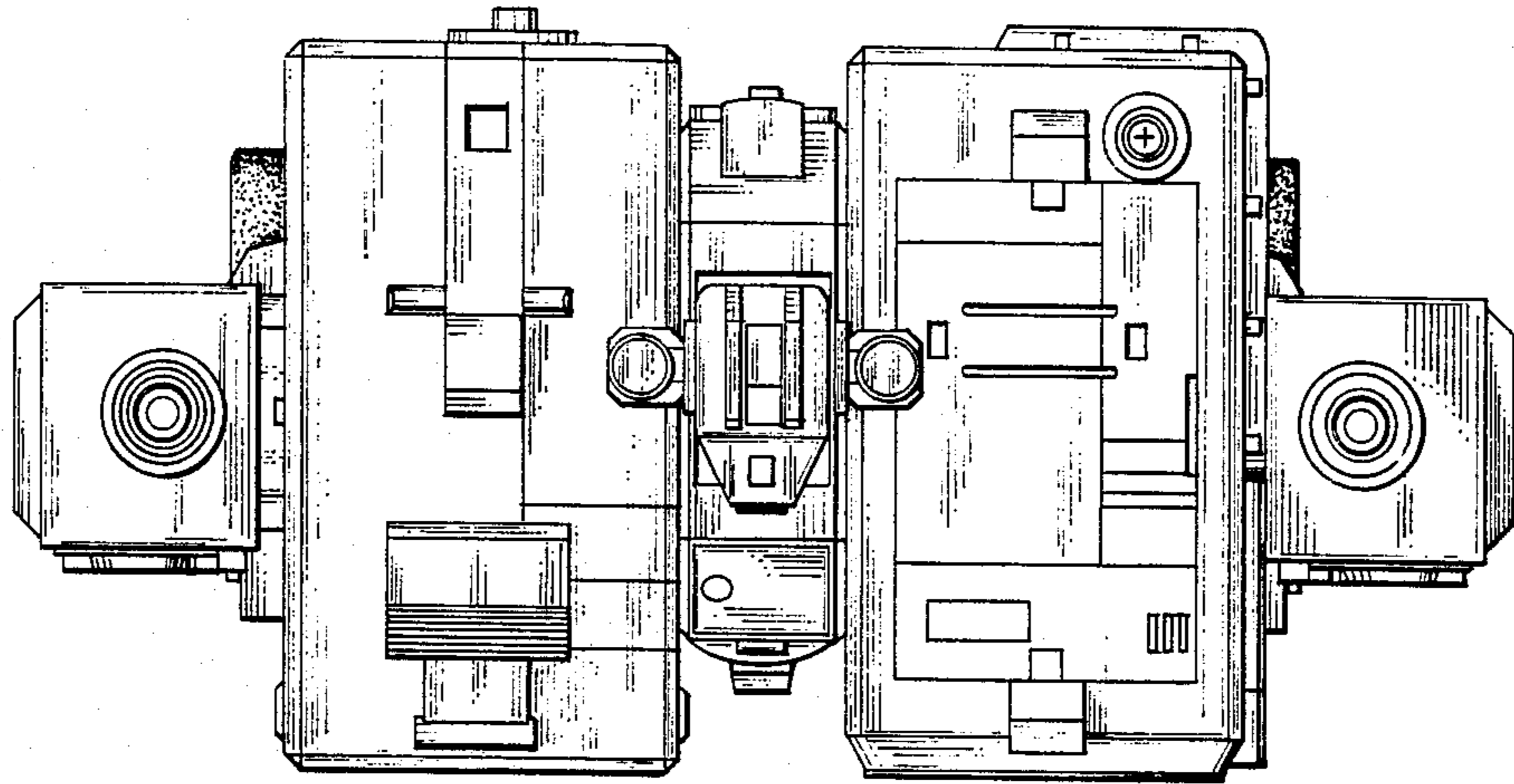
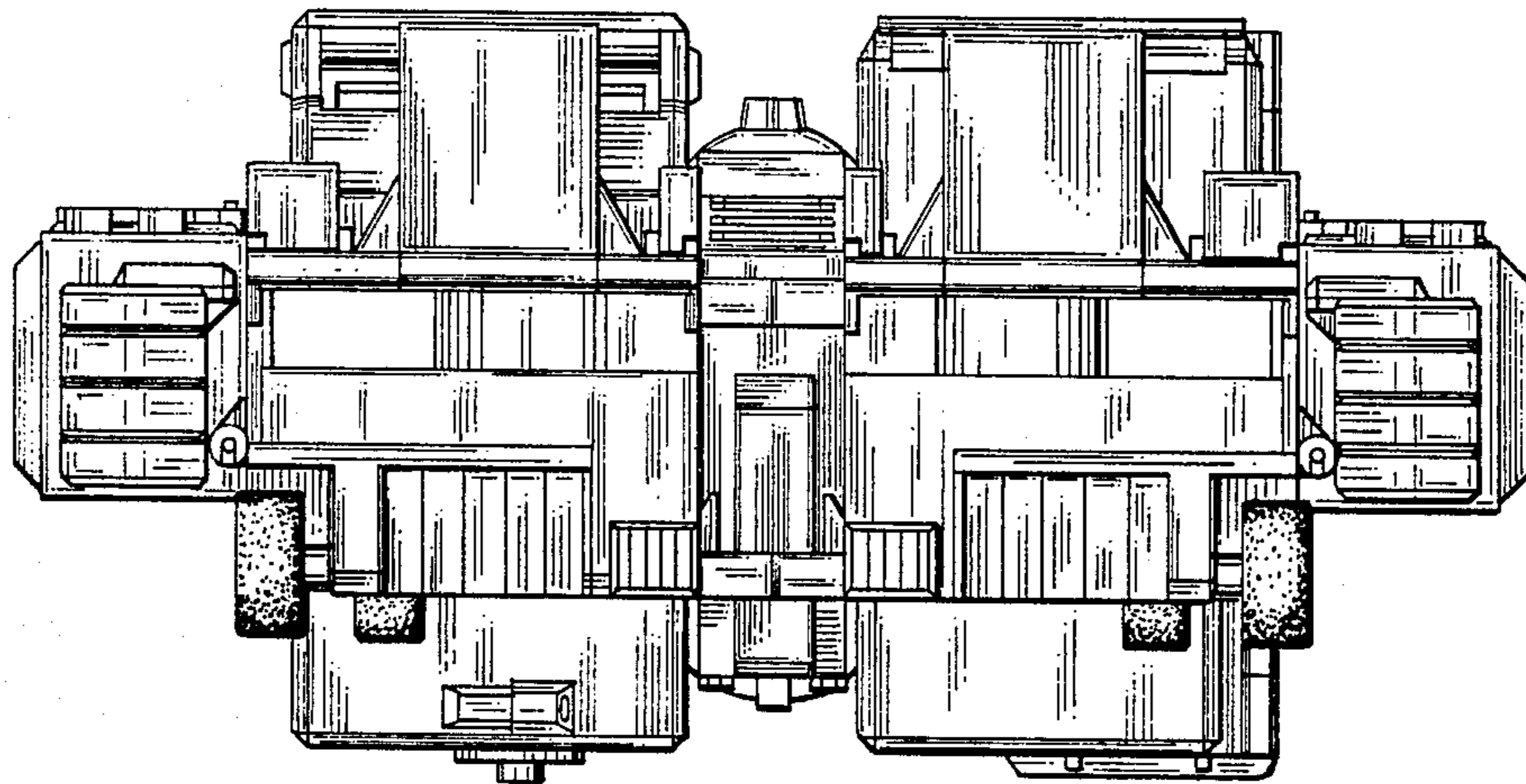


FIG. 7



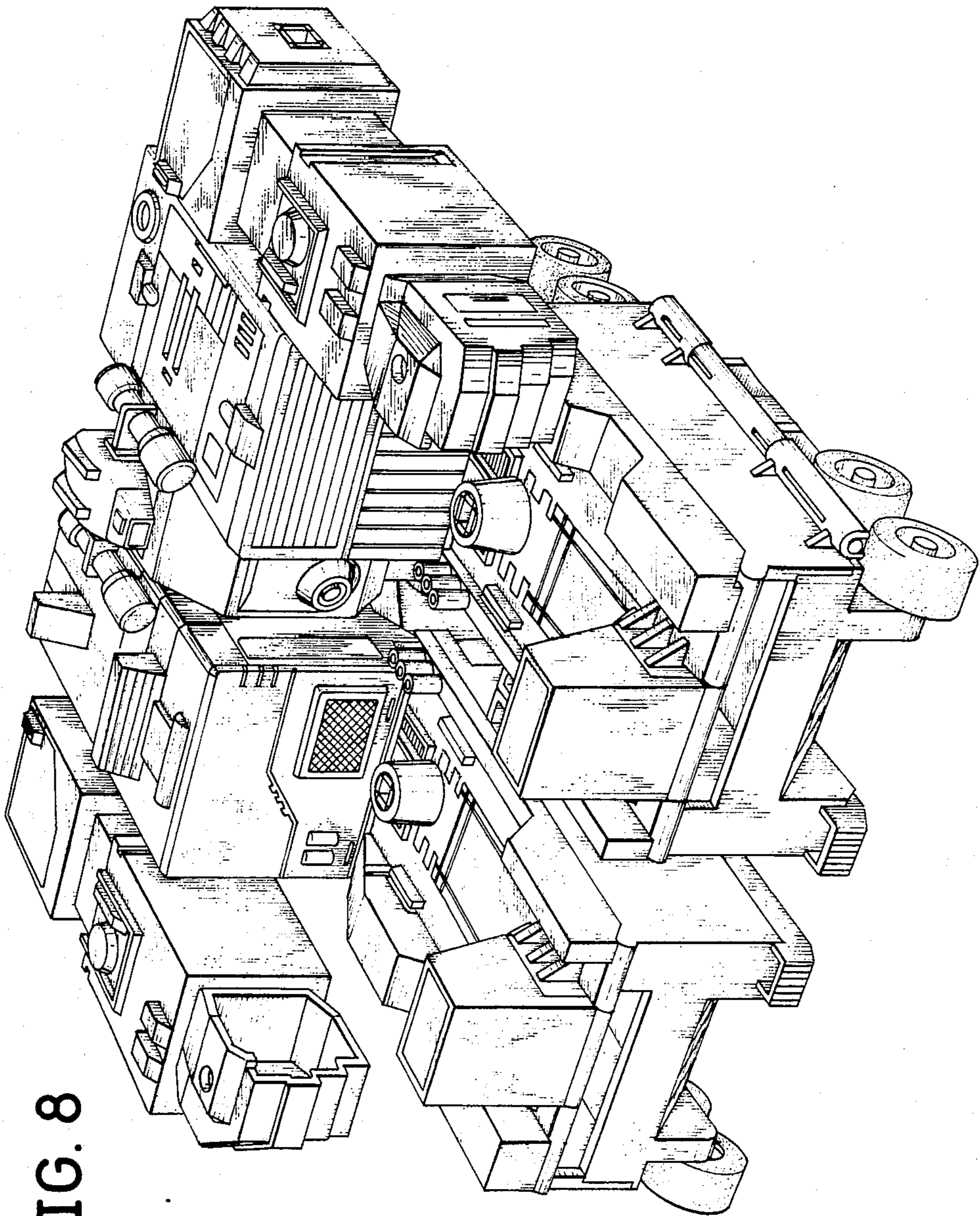


FIG. 8



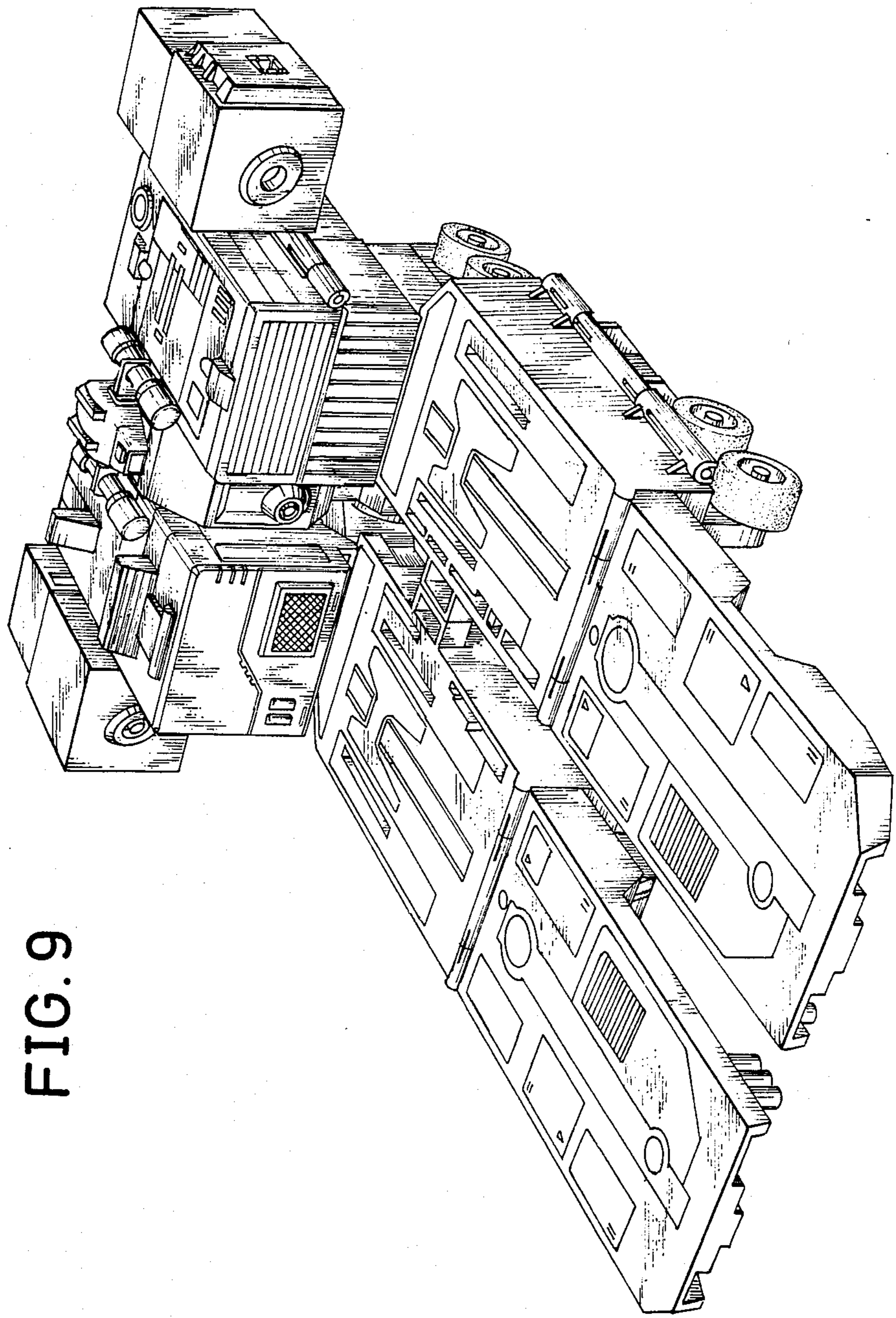


FIG. 9

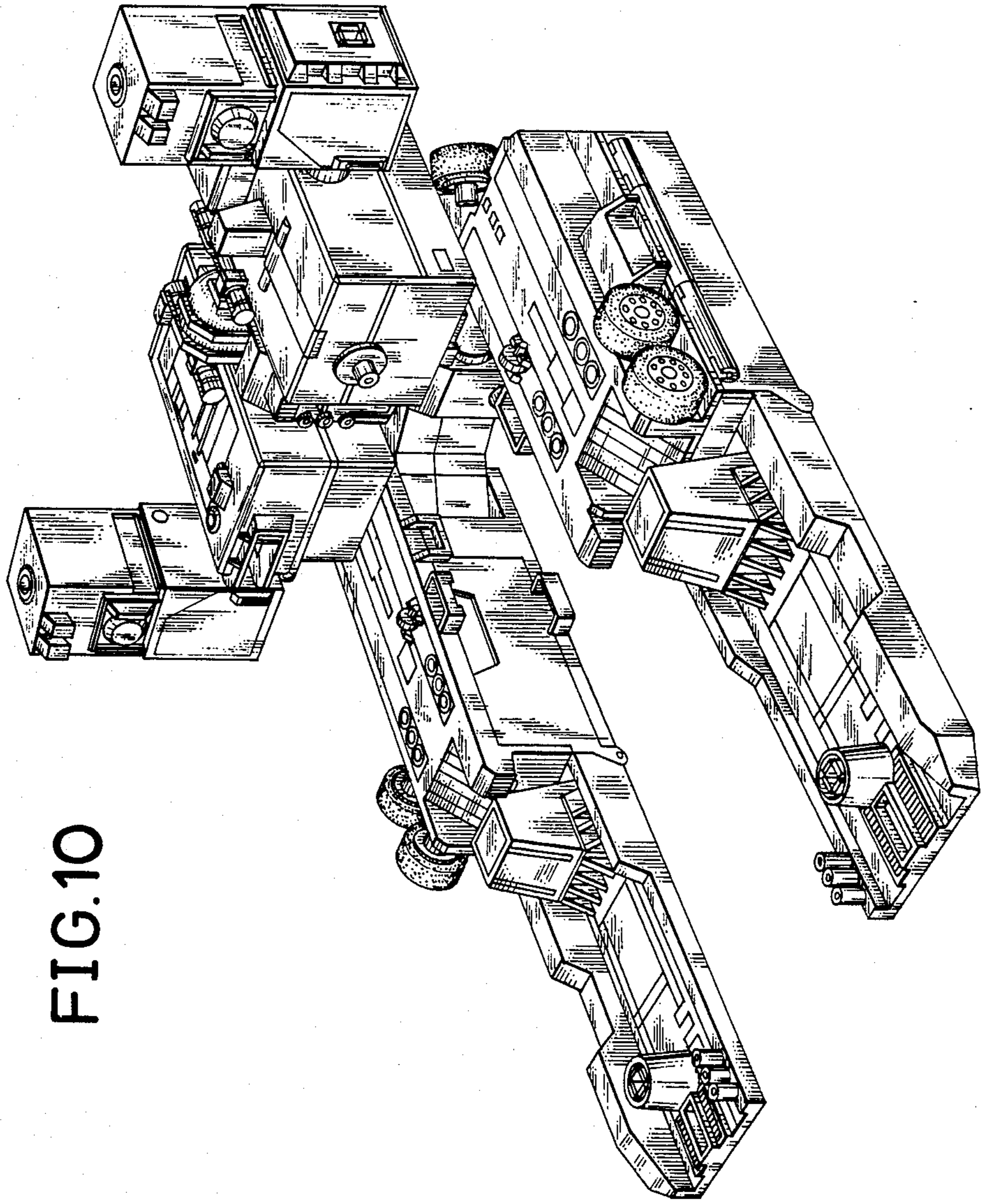


FIG.10

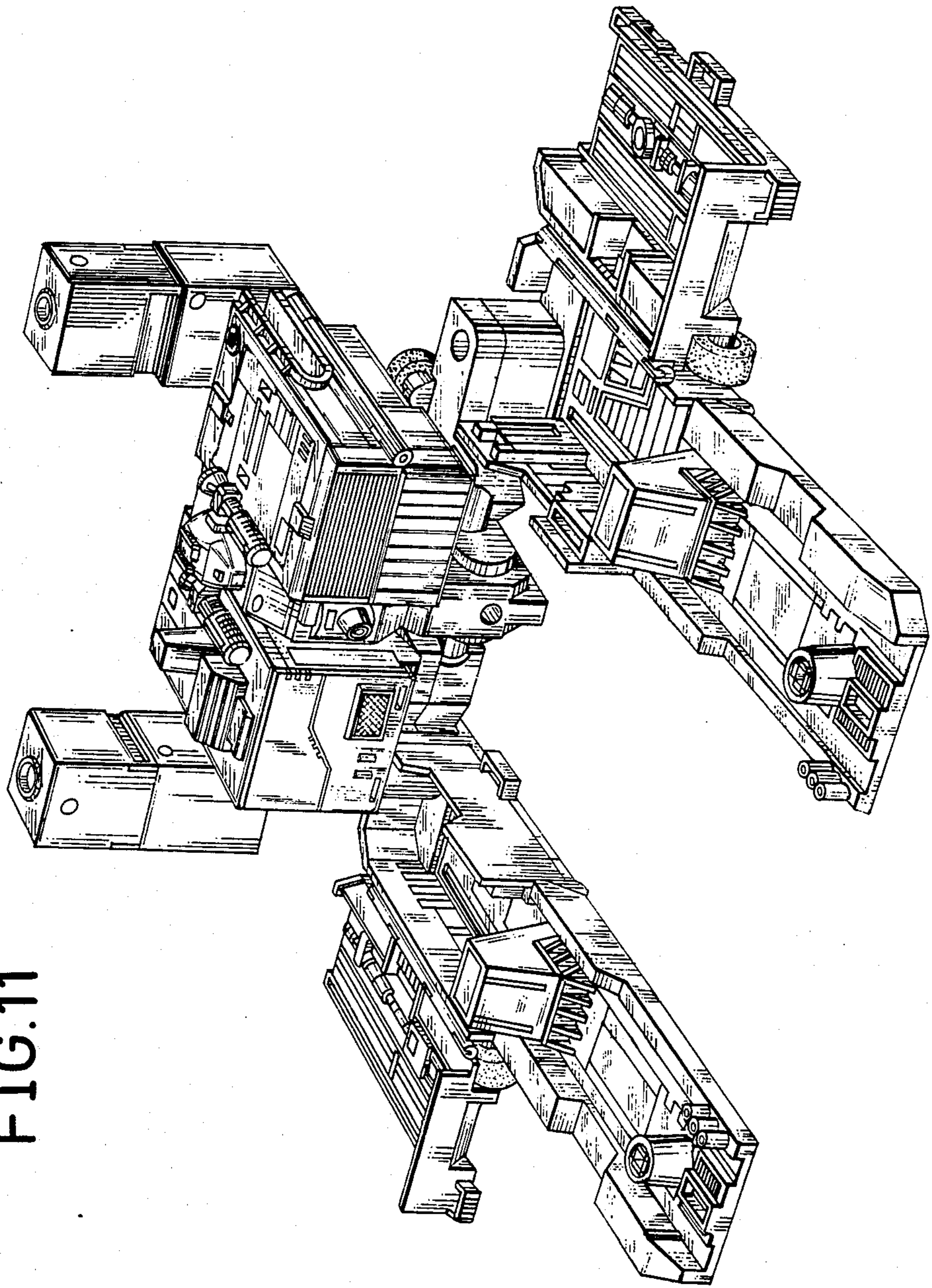


FIG.11