

[54] FRONT AND SIDE PORTION OF A MACHINE TOOL

[75] Inventor: Kurt Baer, Waedenswil, Switzerland

[73] Assignee: Fritz Studer AG, Stefisburg, Switzerland

[**] Term: 14 Years

[21] Appl. No.: 766,656

[22] Filed: Aug. 19, 1985

[30] Foreign Application Priority Data

Feb. 18, 1985 [XH] Hague DM/004 804

[52] U.S. Cl. D15/141; D15/122; D15/138

[58] Field of Search D15/122, 124, 127, 130, D15/199, 138, 141; 51/72 R, 74 R, 87 R

[56] References Cited

U.S. PATENT DOCUMENTS

D. 272,012 1/1984 Trevisani .

OTHER PUBLICATIONS

American Machinist; 1/1983; p. 60; Takisawa Machining Center.

American Machinist; 4/1983; pp. 34-35; Jones & Lamson TNC Lathe.

American Machinist; 5/1983; p. 32, Olofsson Turning Machine.

American Machinist; 7/1983; p. 76; White Consolidate Eagle 6000 Turning Machine.

S40-11/12 Studer, Publication MD, Edition: 9.81 (believed to indicate Sep. 1981), Publisher: Fritz Studer AG.

Primary Examiner—B. J. Bullock

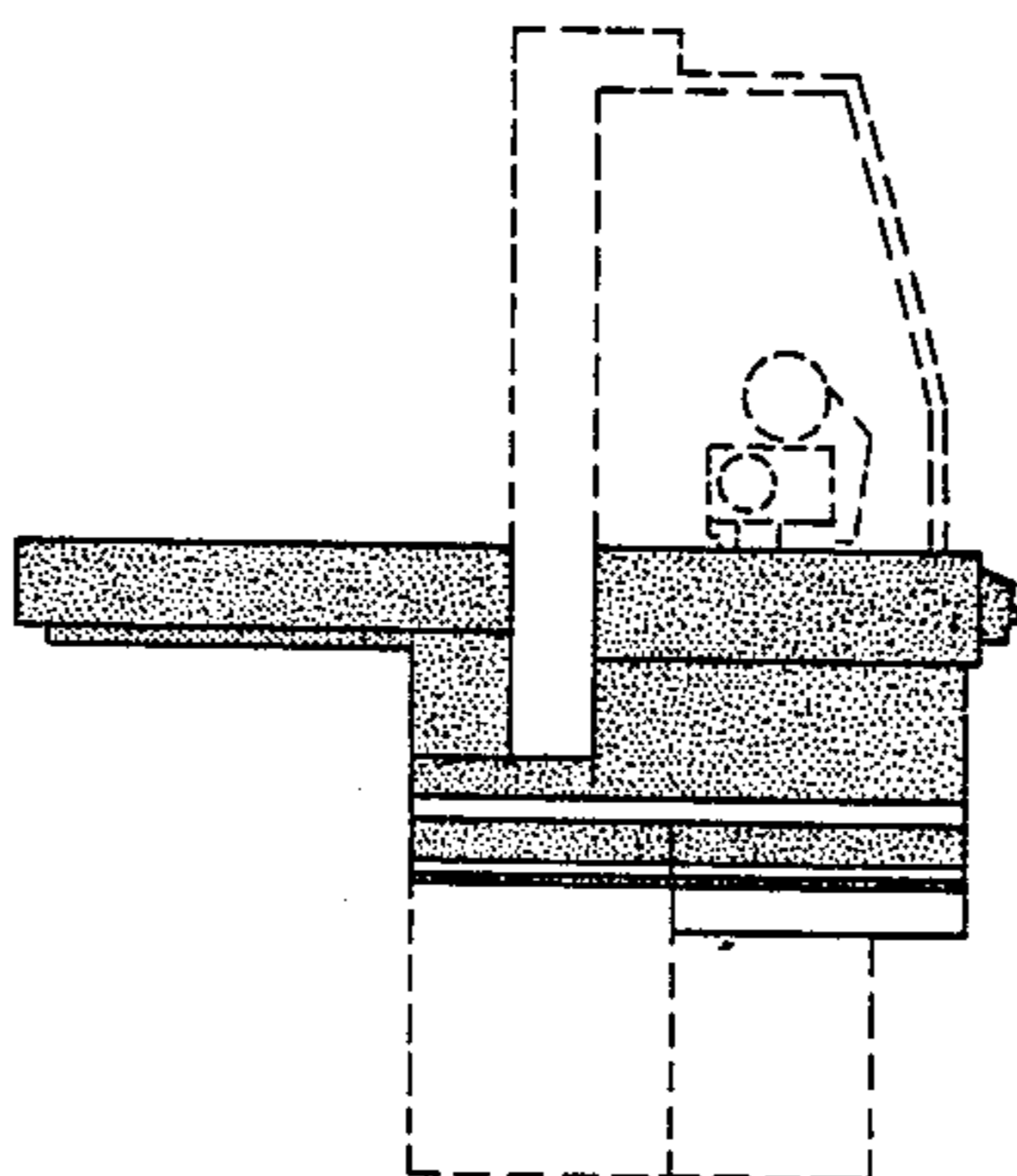
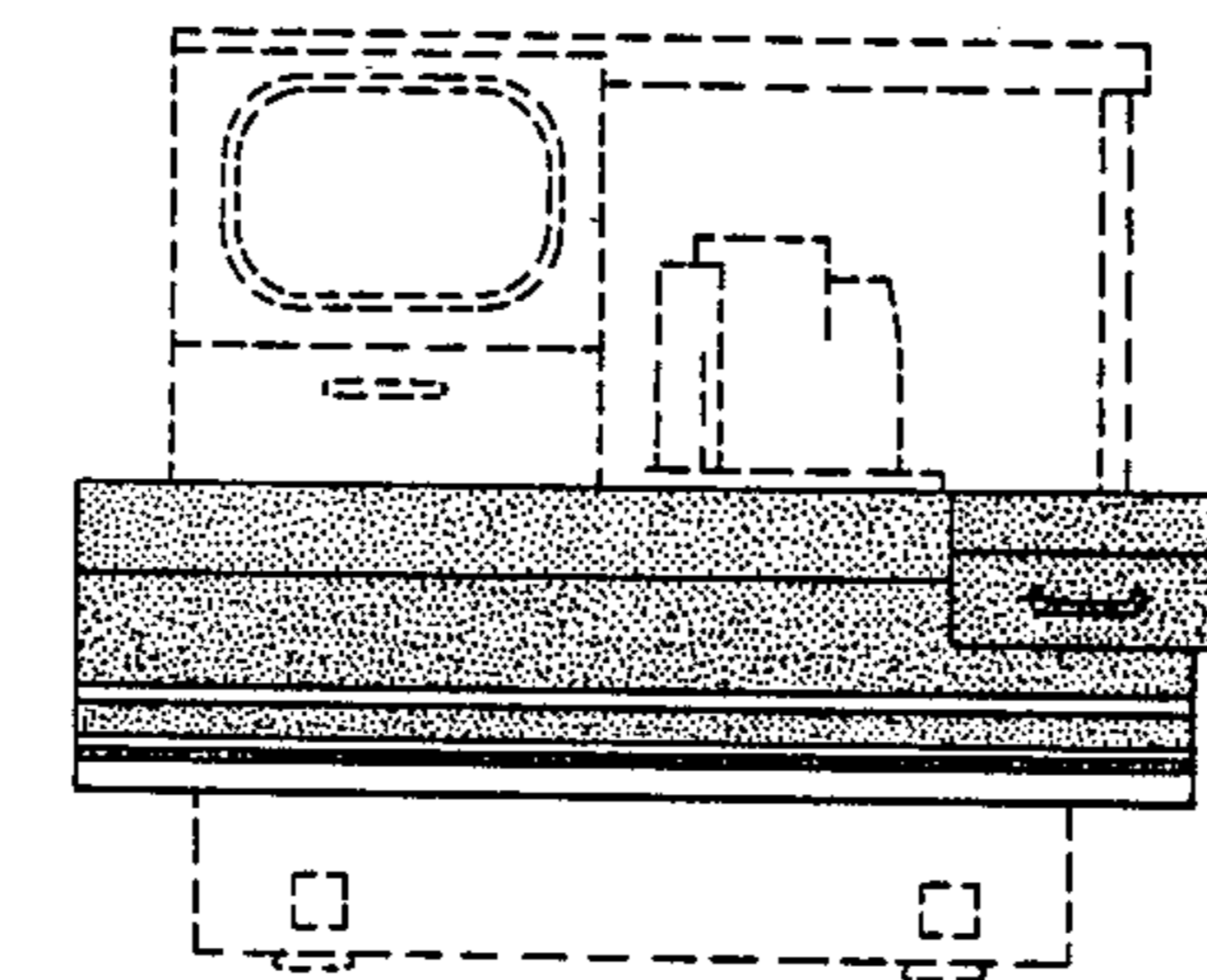
Attorney, Agent, or Firm—Cushman, Darby & Cushman

[57] CLAIM

The ornamental design for a front and side portion of a machine tool, as shown, and described.

DESCRIPTION

FIG. 1 is a front elevational view of the front and side portion of a machine tool showing my new design, the portions of the machine tool shown in broken lines are for illustrative purposes only; FIG. 2 is a left side elevational view thereof.



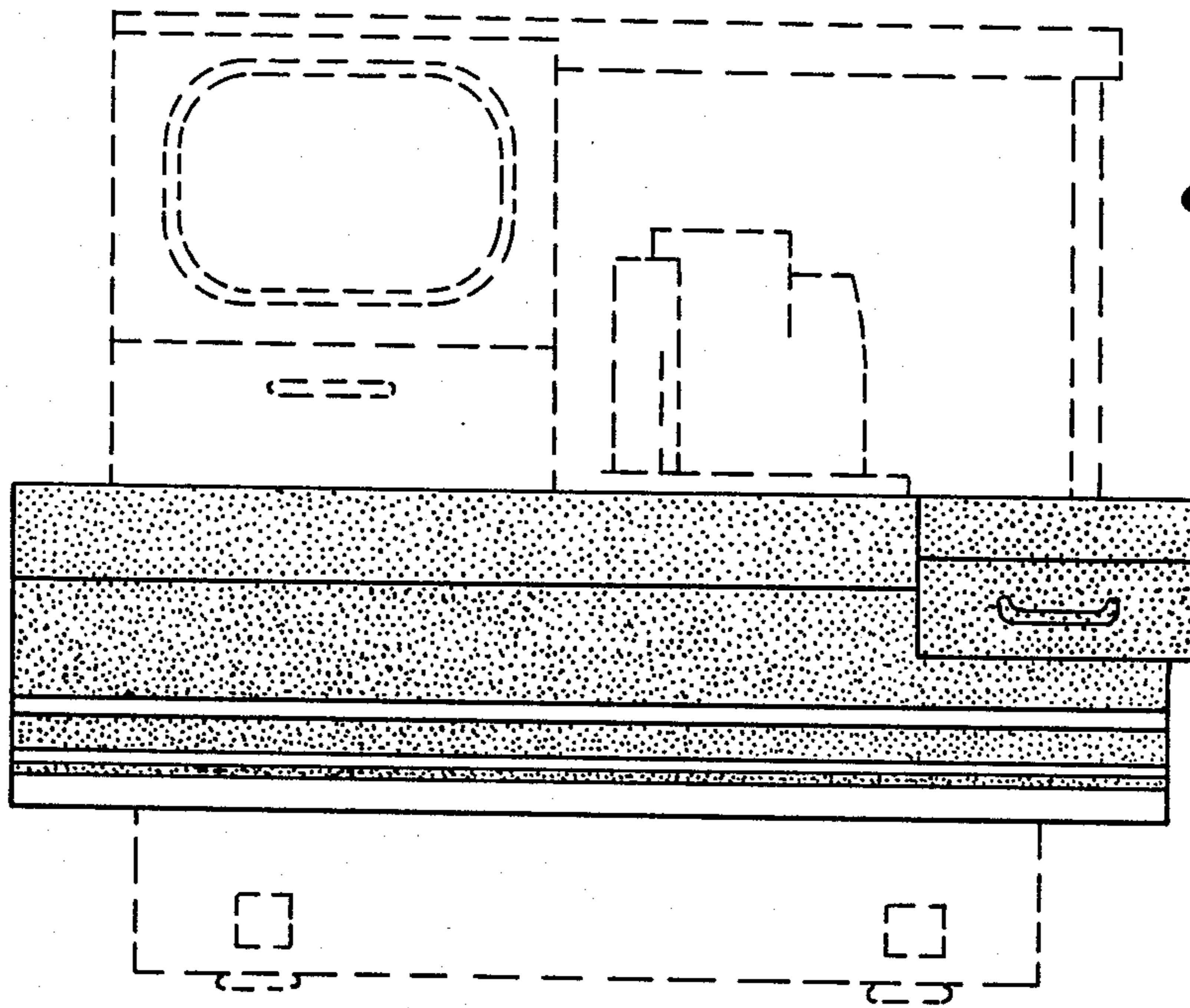


Fig. 1

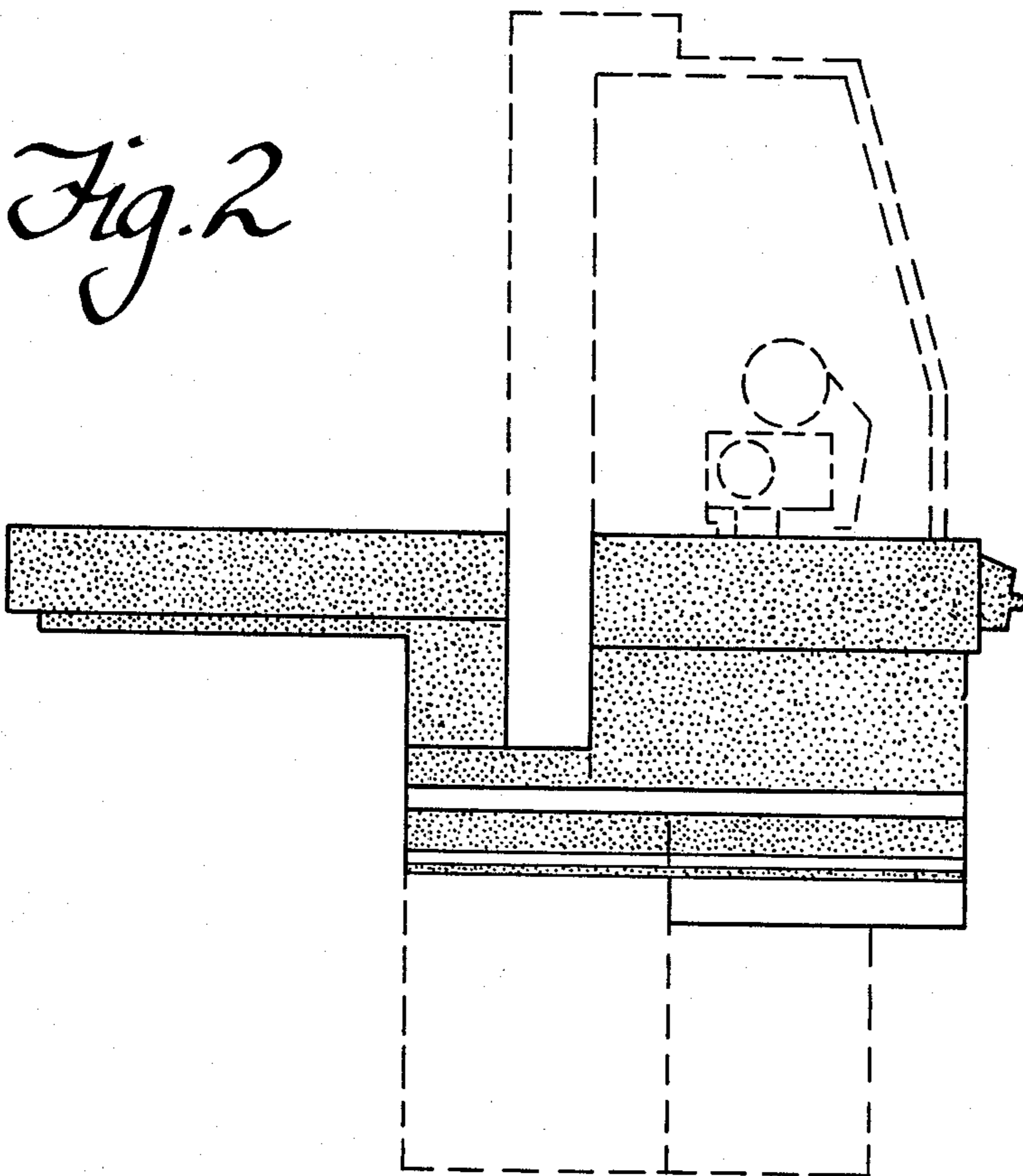


Fig. 2