

[54] PORTABLE AIR COMPRESSOR

[75] Inventor: Gianfranco Prevosto, Turin, Italy

[73] Assignee: Taer SRL, Turin, Italy

[**] Term: 14 Years

[21] Appl. No.: 64,454

[22] Filed: Jun. 22, 1987

[52] U.S. Cl. D15/9

[58] Field of Search D15/7, 9; 417/321, 405, 417/416, 410-411, 420, 423 R, 572; 415/DIG. 6

[56] References Cited

U.S. PATENT DOCUMENTS

- D. 273,958 5/1984 Mariol D15/9
- D. 280,993 10/1985 Mariol D15/9
- D. 281,609 12/1985 Herbst D15/9

D. 281,691 12/1985 Vitaloni D15/9

Primary Examiner—Wallace R. Burke
Assistant Examiner—Brian N. Vinson
Attorney, Agent, or Firm—Jacox & Meckstroth

[57] CLAIM

The ornamental design for a portable air compressor, as shown and described.

DESCRIPTION

FIG. 1 is a perspective view of a portable air compressor showing my new design;
FIG. 2 is a front end elevational view thereof;
FIG. 3 is a left side elevational view thereof;
FIG. 4 is a right side elevational view thereof;
FIG. 5 is a top plan view thereof;
FIG. 6 is a bottom plan view thereof; and
FIG. 7 is a rear end elevational view thereof.

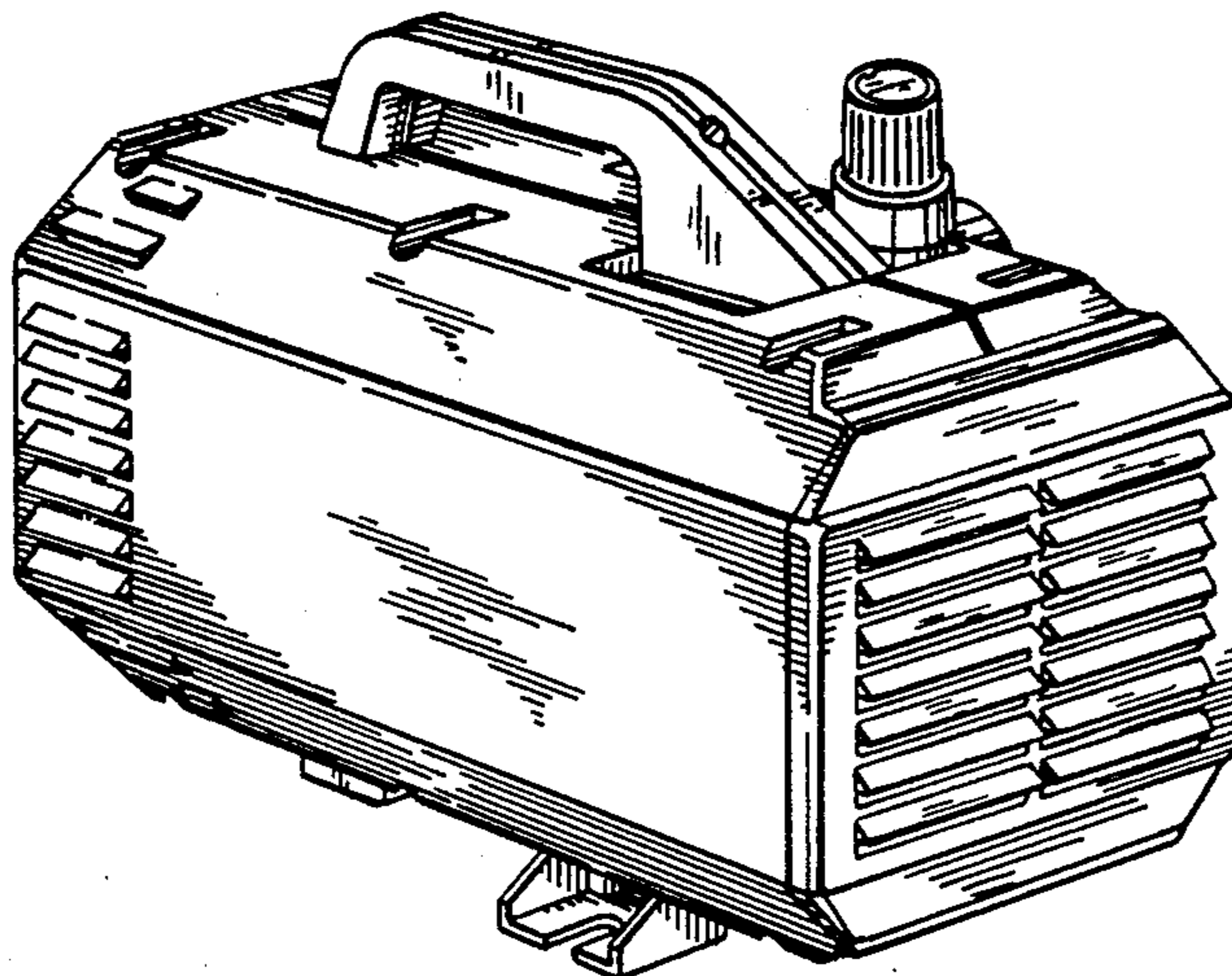


FIG-1

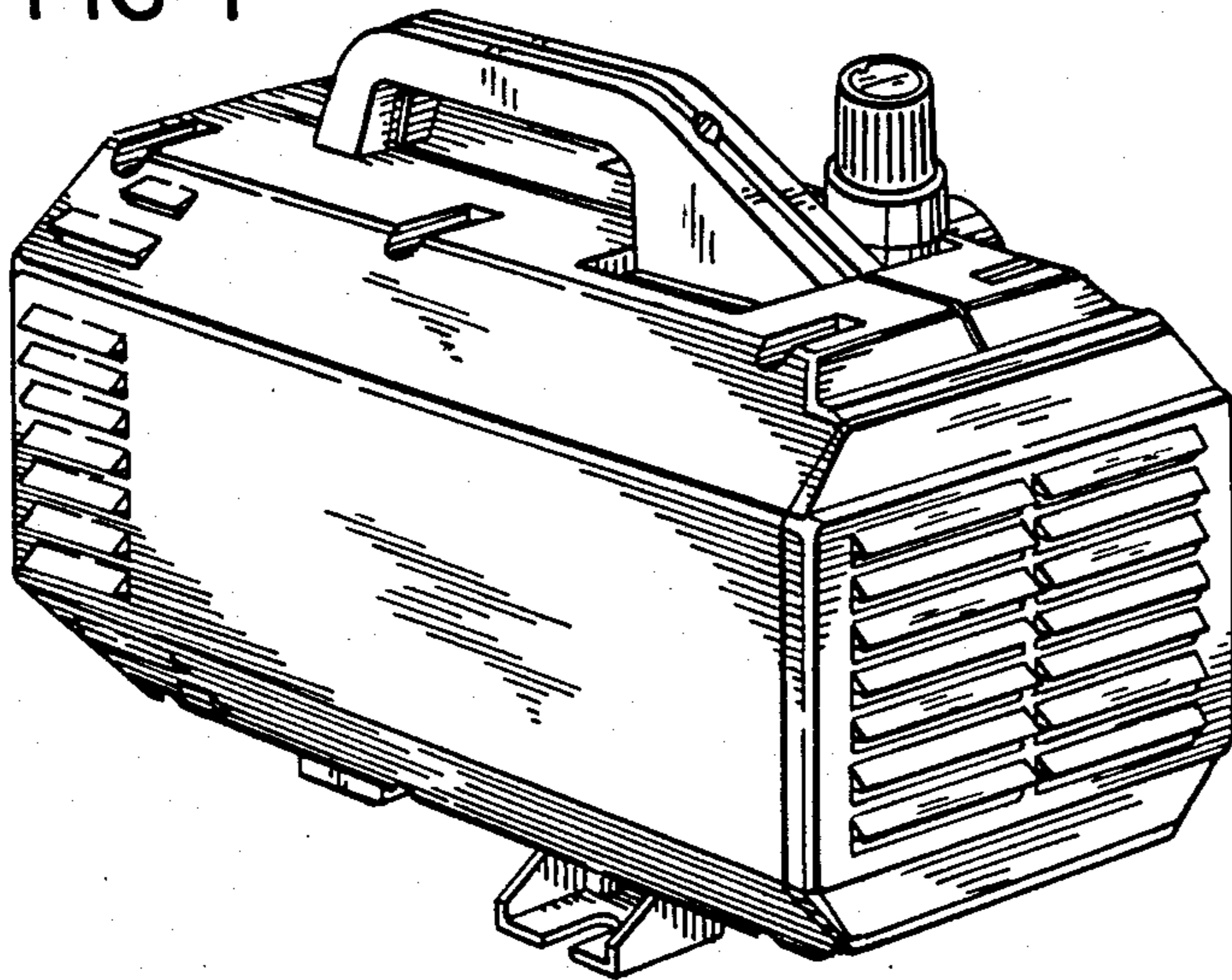


FIG-2

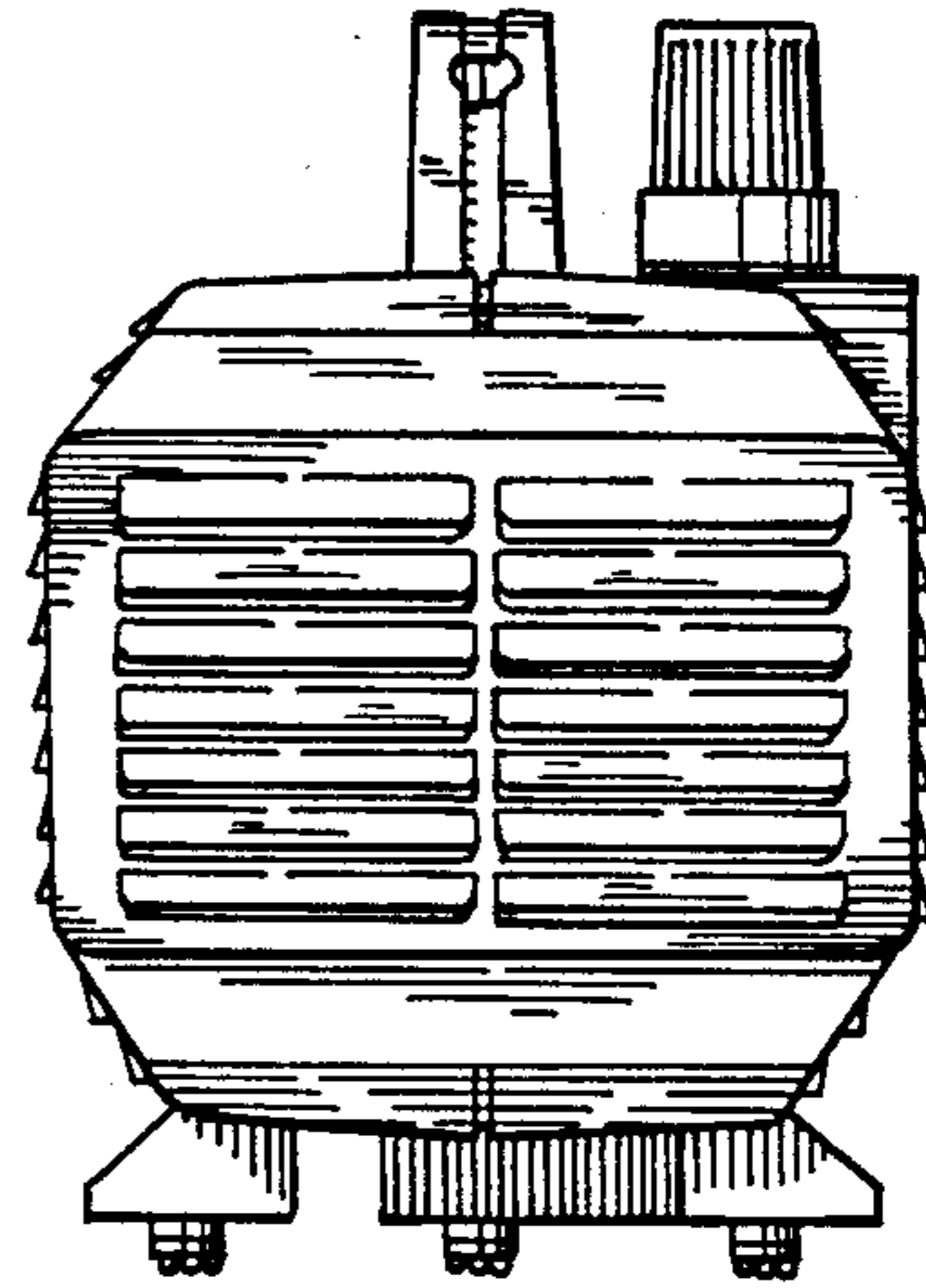


FIG-3

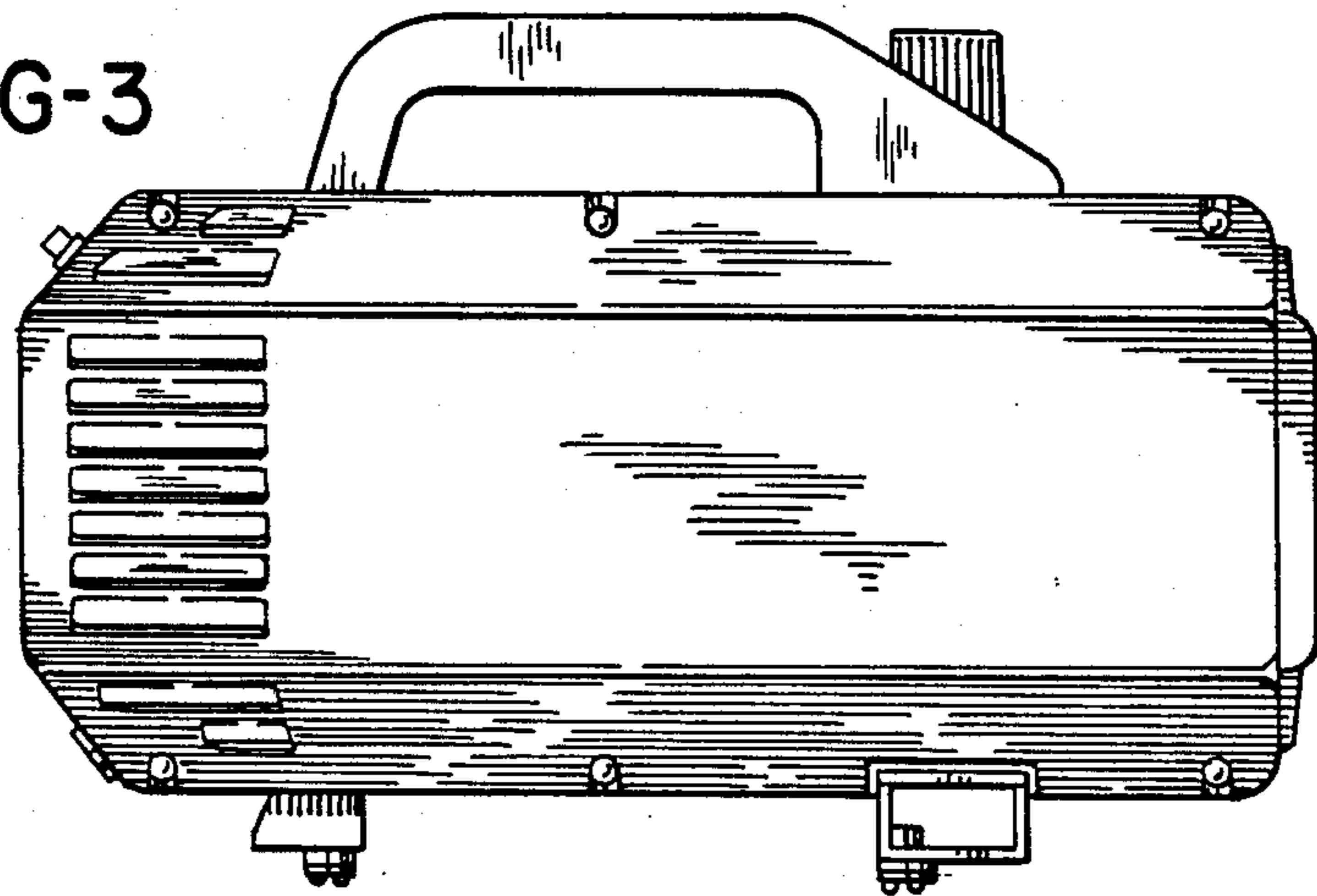


FIG-4

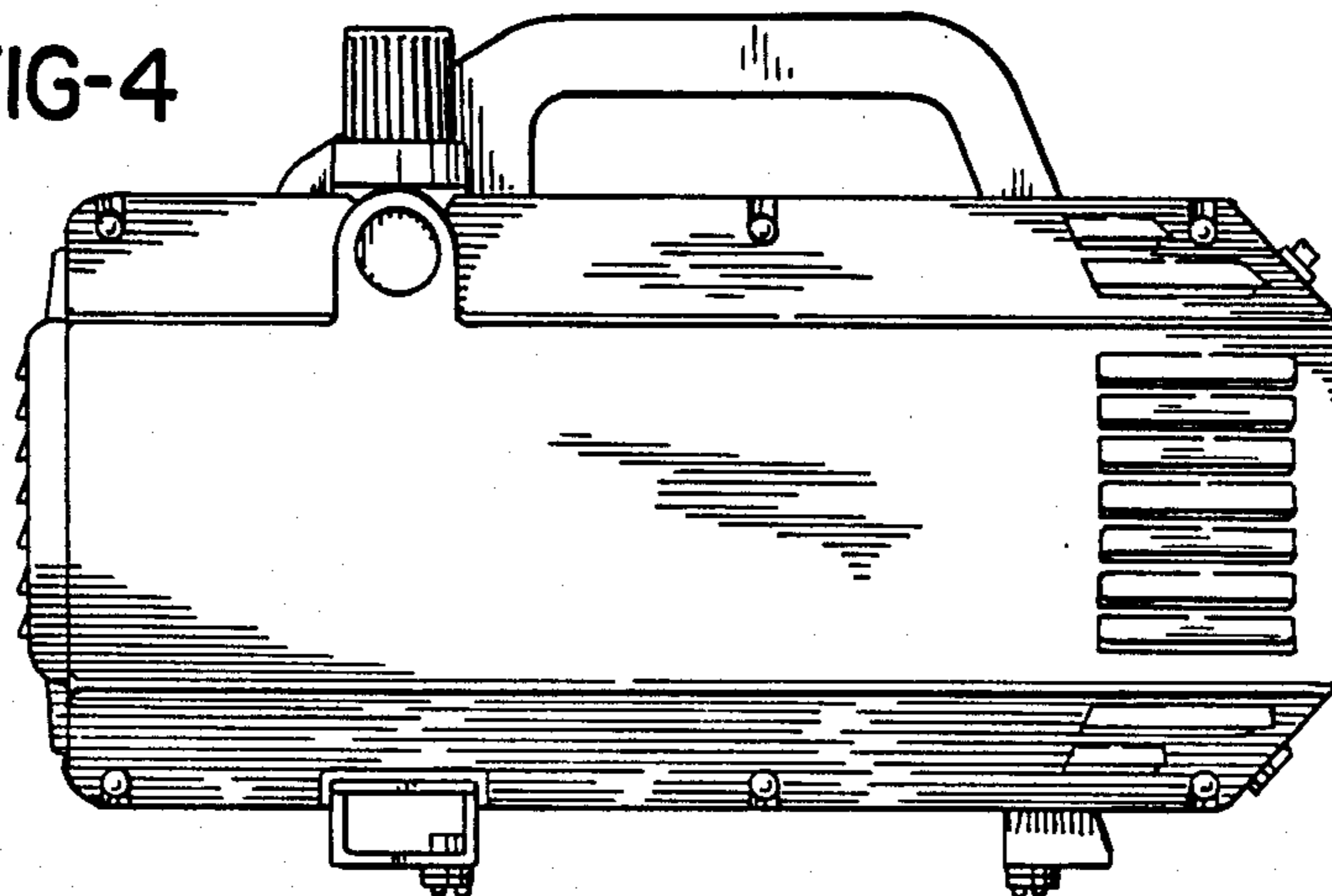


FIG-5

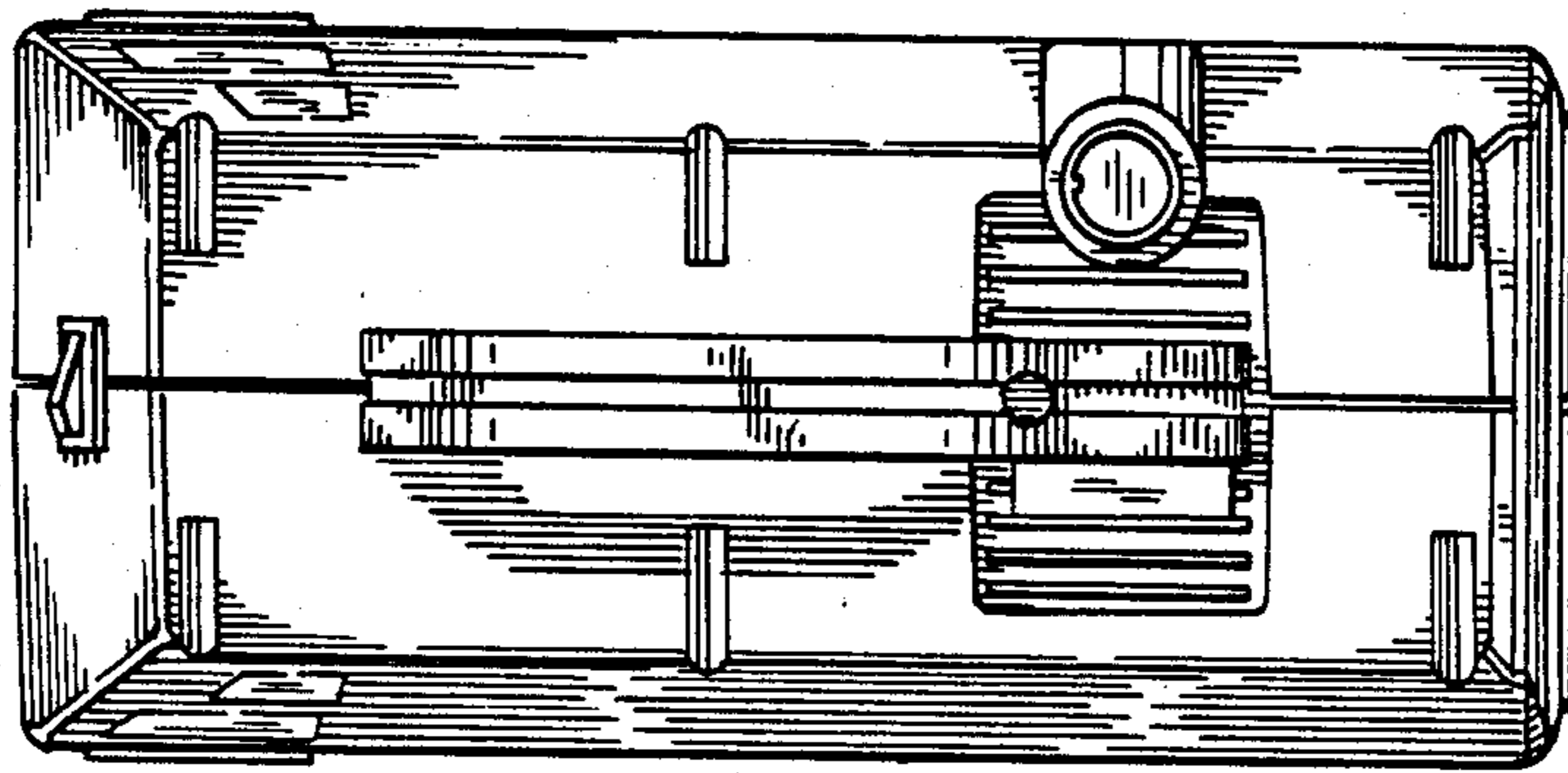


FIG-6

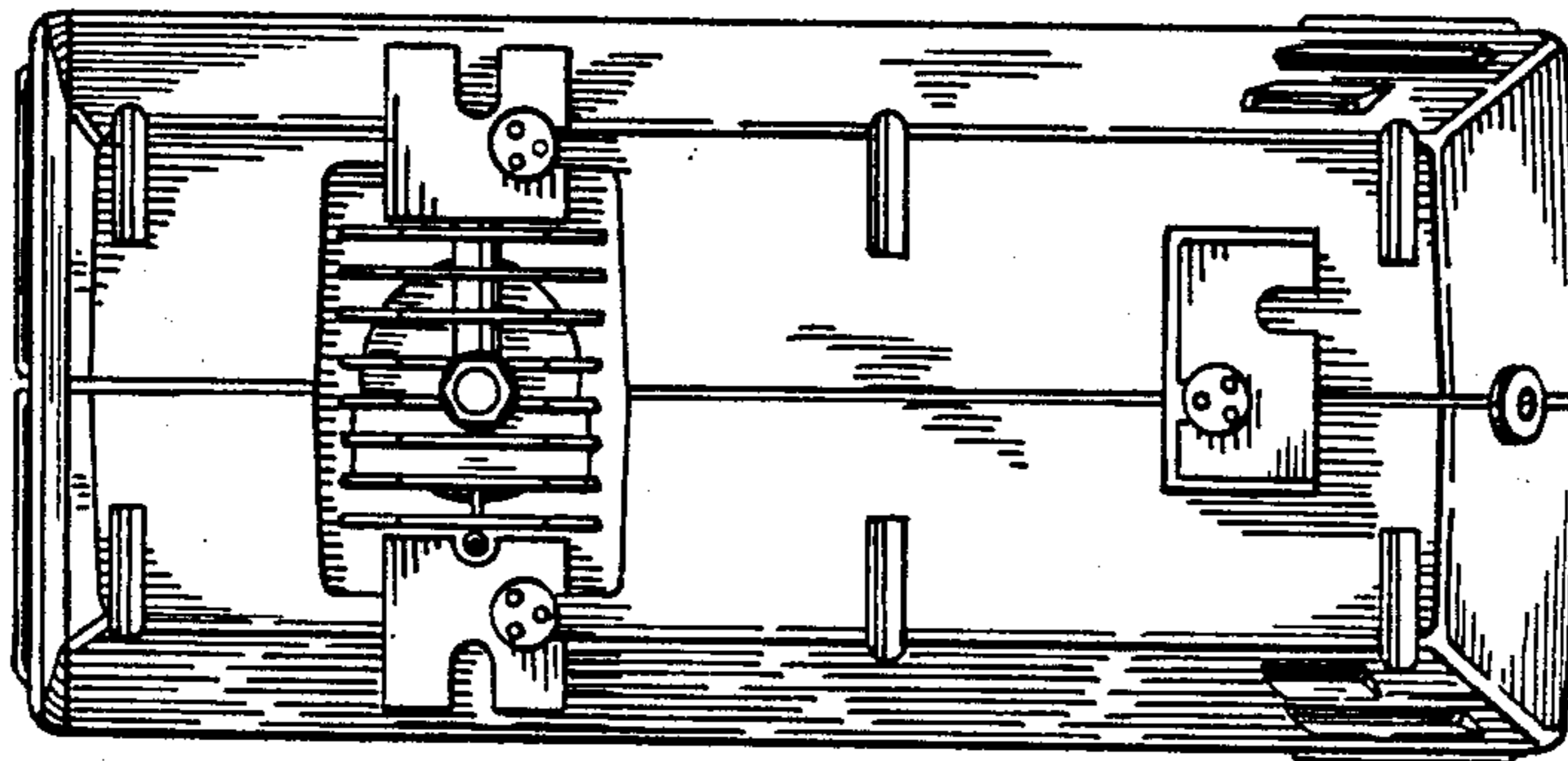


FIG-7

