

[54] POWER DRILL DRIVEN AIR COMPRESSOR

[76] Inventor: Patrick B. Moynihan, 1517 Charlestowne Dr., Edgewood, Md. 21040

[\*\*] Term: 14 Years

[21] Appl. No.: 85,656

[22] Filed: Aug. 17, 1987

[52] U.S. Cl. .... D15/7

[58] Field of Search ..... D15/7, 9; 417/229, 234, 417/236-237; D8/61, 68

[56] References Cited

U.S. PATENT DOCUMENTS

- D. 266,091 9/1982 Richards et al. .... D15/7
- 2,759,665 8/1956 Wilber ..... 417/236
- 3,059,583 10/1962 Huber ..... 417/236 X

OTHER PUBLICATIONS

Black & Decker 7143 3/8" Drill, Catalogue, undated, provided by Applicant.

Primary Examiner—Wallace R. Burke

Assistant Examiner—Brian N. Vinson

Attorney, Agent, or Firm—Leonard Bloom

[57] CLAIM

The ornamental design for a power drill driven air compressor, as shown and described.

DESCRIPTION

FIG. 1 is a top, rear and left side perspective view of a power drill driven air compressor showing my new design;

FIG. 2 is a top, front and right side perspective view thereof;

FIG. 3 is a top plan view thereof;

FIG. 4 is a bottom plan view thereof, the knob element being shown broken-away for convenience of illustration;

FIG. 5 is a left side elevational view thereof;

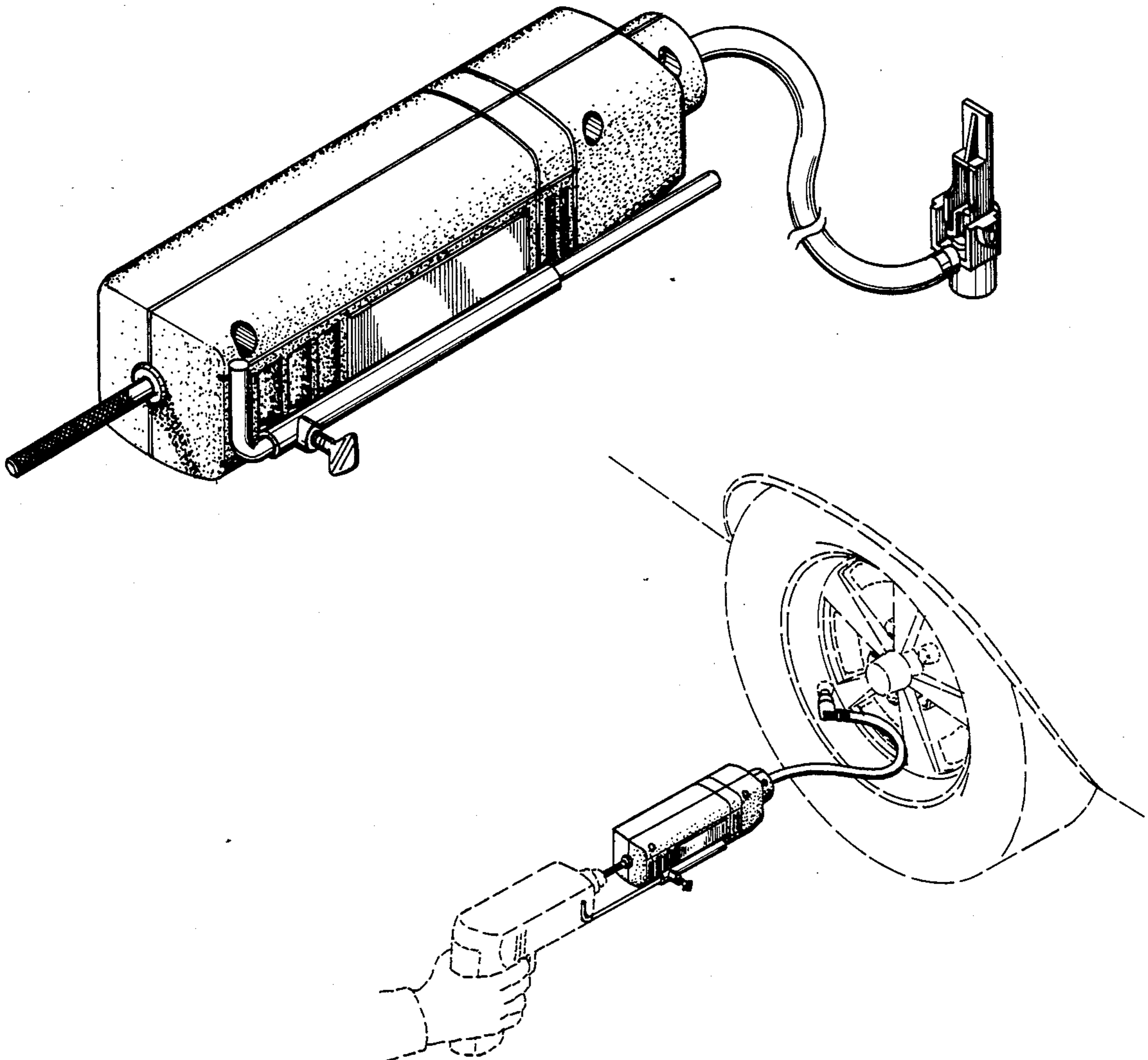
FIG. 6 is a front elevational view thereof;

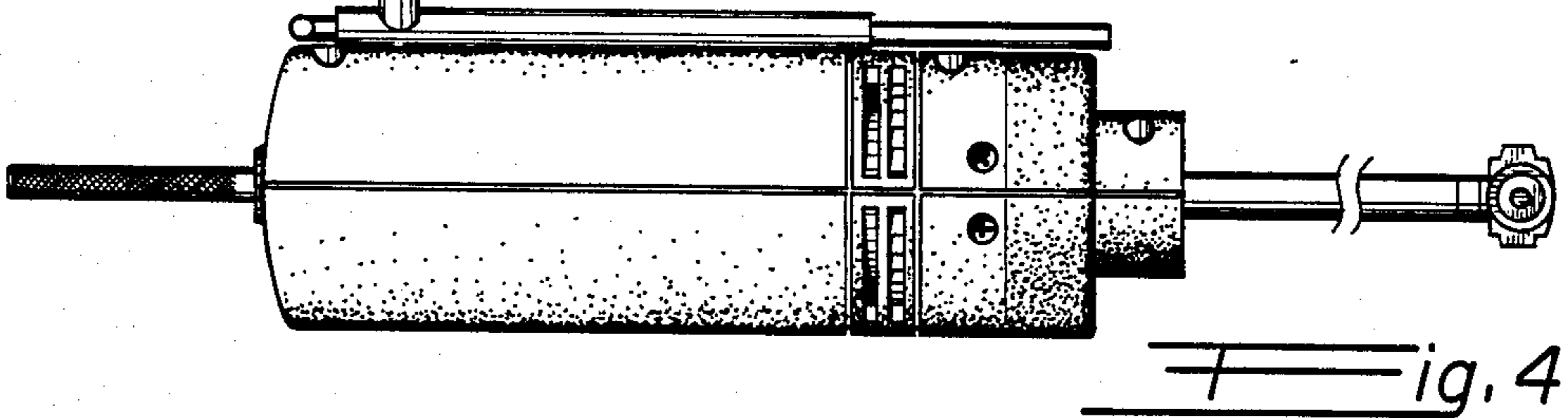
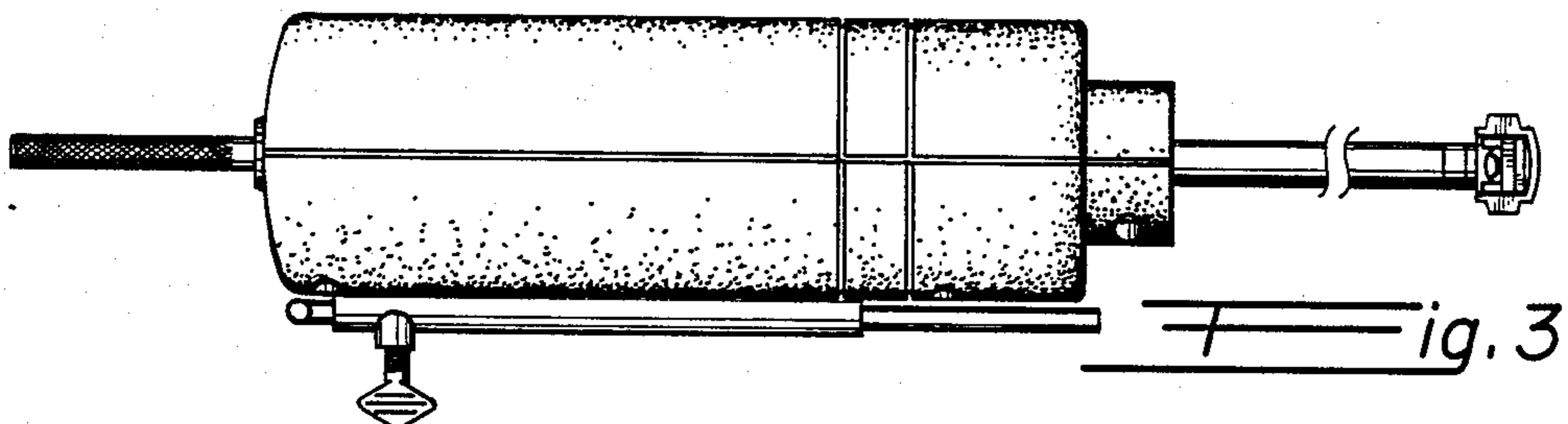
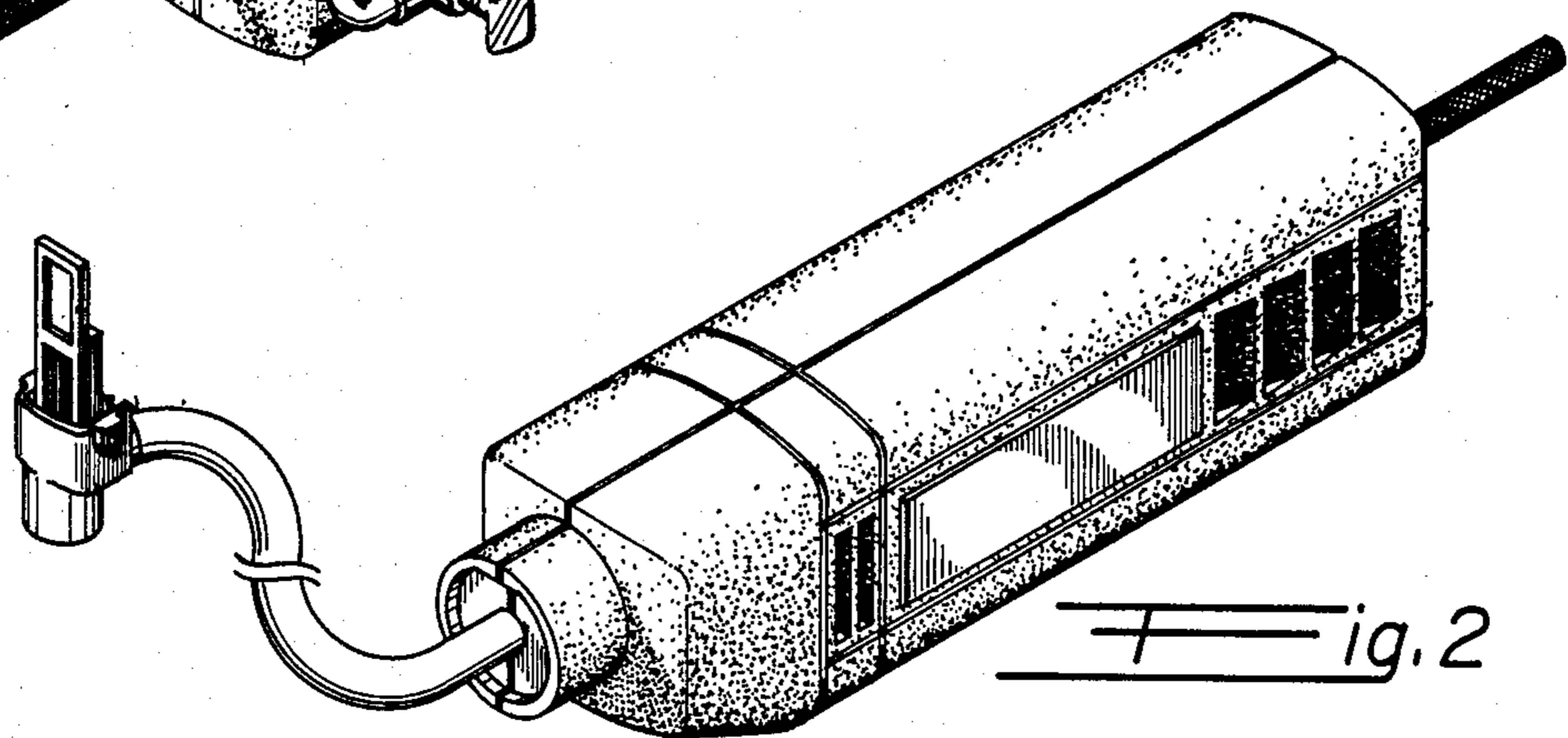
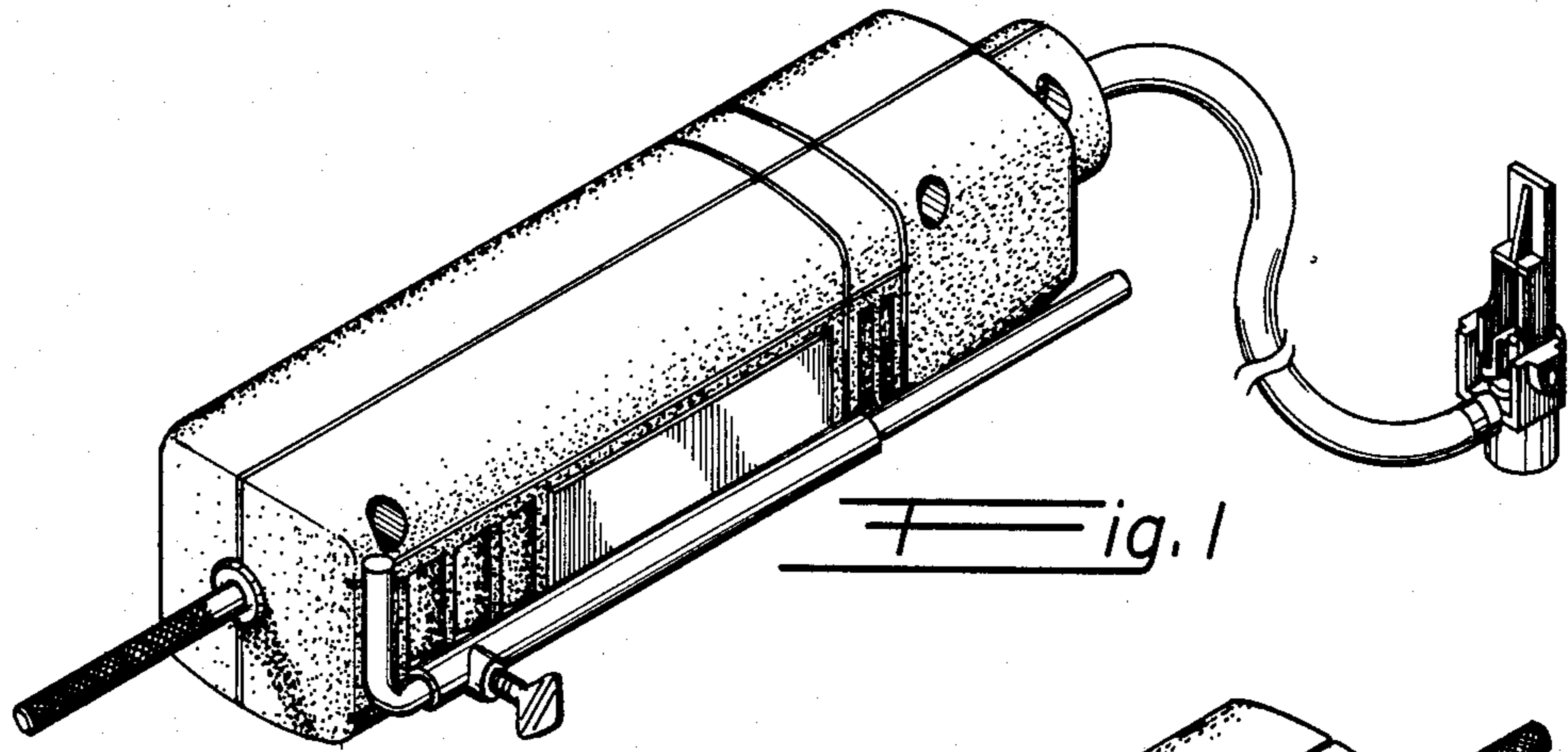
FIG. 7 is a rear elevational view thereof;

FIG. 8 is a right side elevational view thereof; and

FIG. 9 is a reduced perspective view thereof, with the broken-line showing of the power drill and automobile wheel being for illustrative purposes only and forming no part of the claimed design.

The hose element is shown broken-away in the views to indicate indeterminate length.





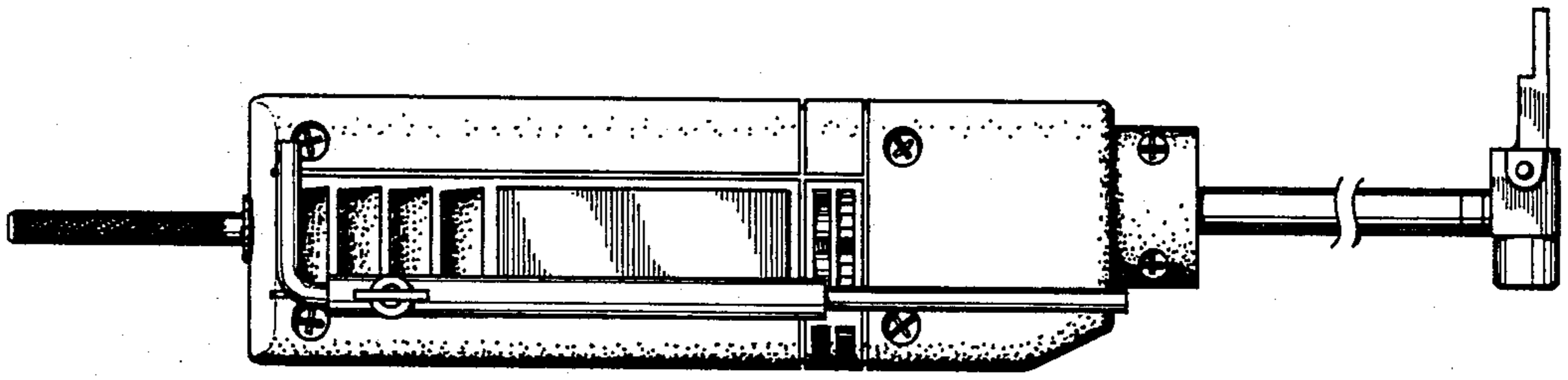


Fig. 5

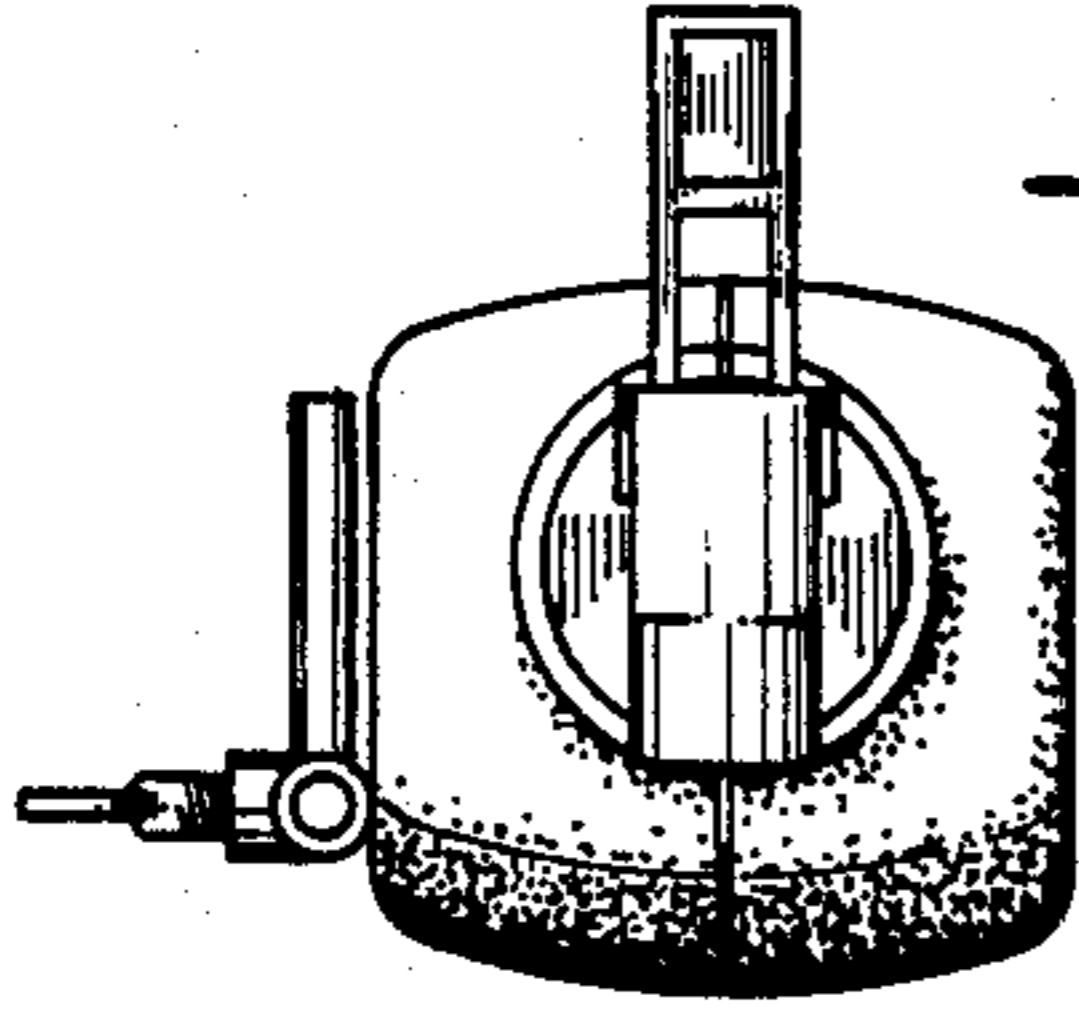


Fig. 6

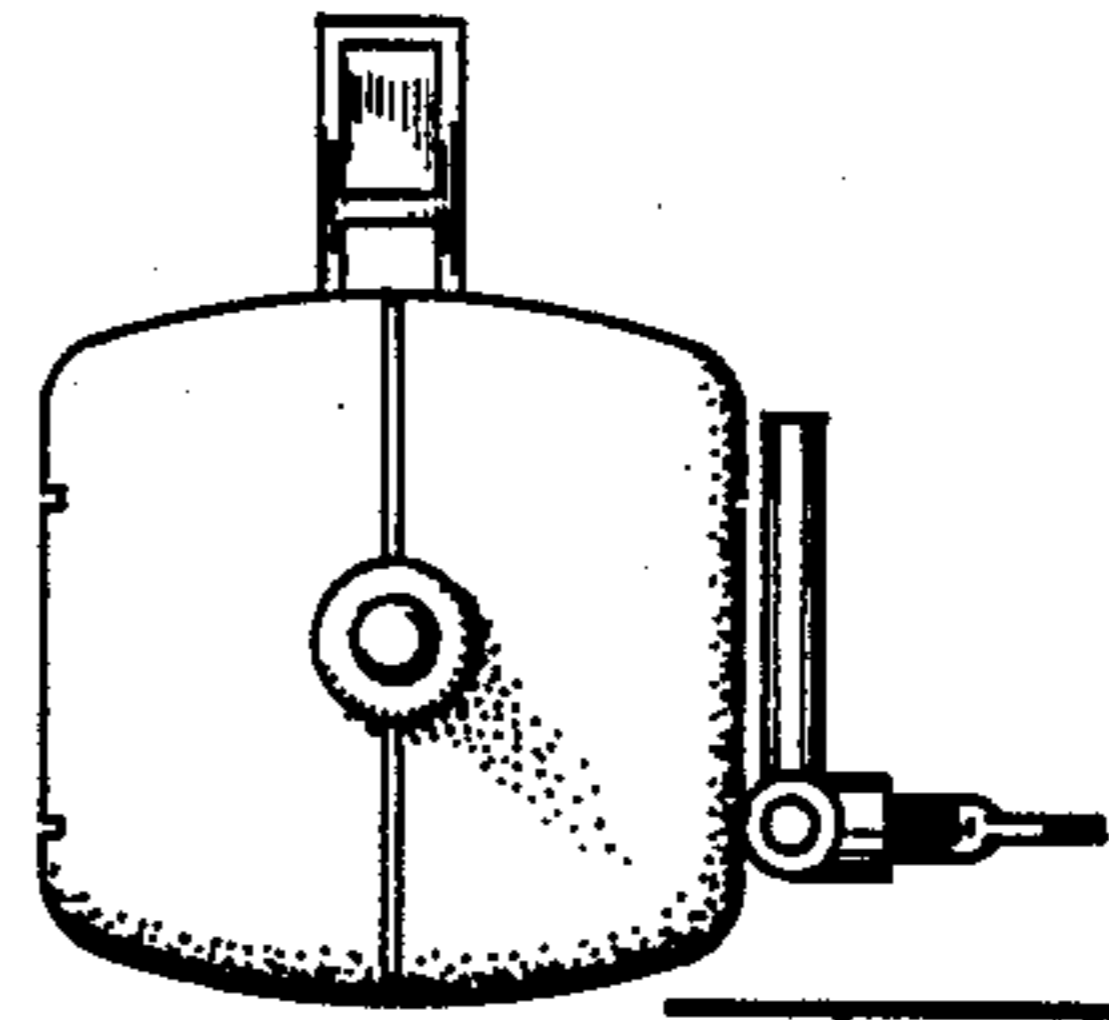


Fig. 7

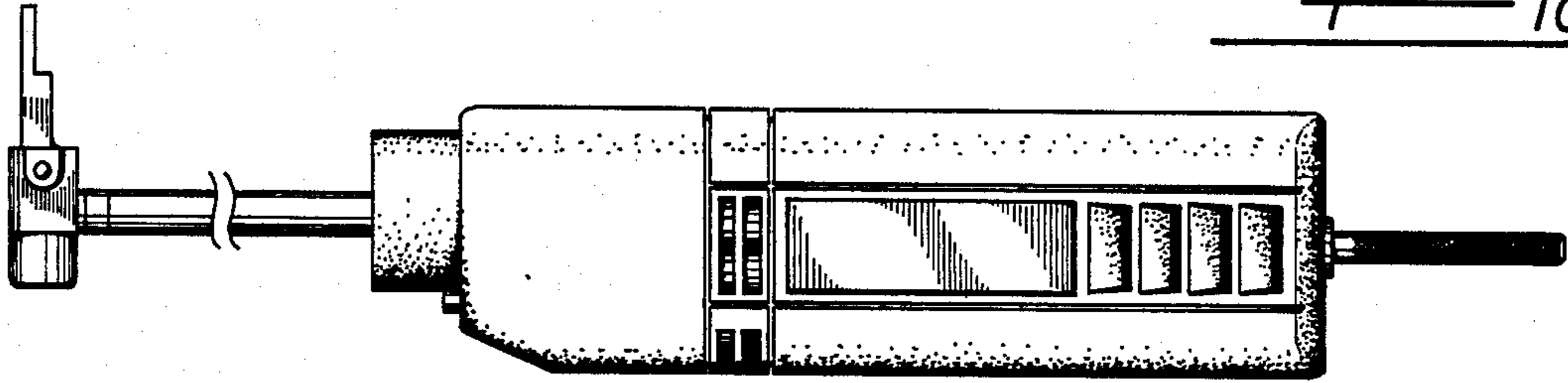


Fig. 8

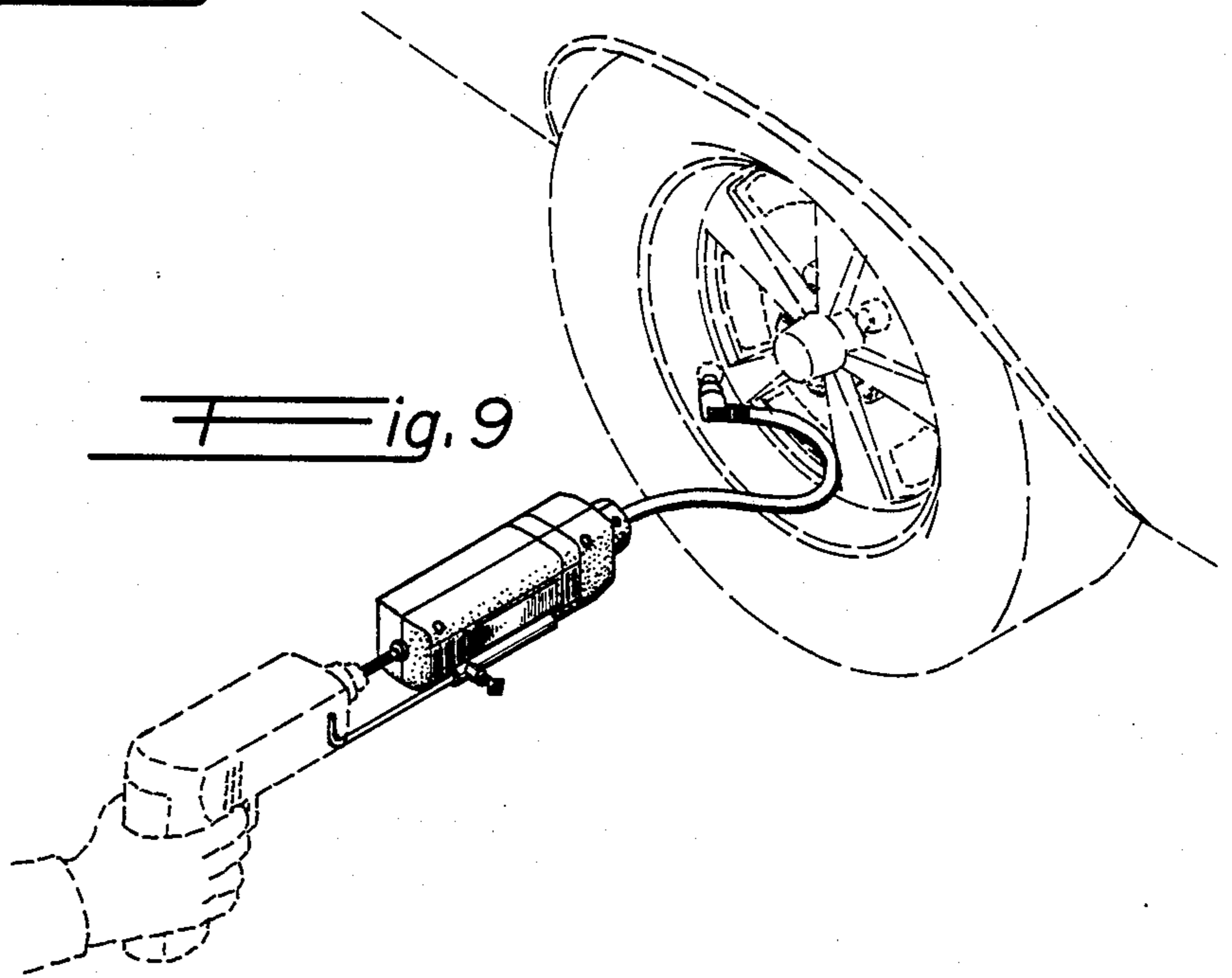


Fig. 9