

United States Patent [19]

Hefling

[11] Patent Number: **Des. 301,245**

[45] Date of Patent: **** May 23, 1989**

[54] AIR PUMP

[75] Inventor: **Dennis V. Hefling, Wichita, Kans.**

[73] Assignee: **The Coleman Company, Inc.,
Wichita, Kans.**

[**] Term: **14 Years**

[21] Appl. No.: **61,573**

[22] Filed: **Jun. 15, 1987**

[52] U.S. Cl. **D15/7**

[58] Field of Search **D15/7, 9; 417/76, 151,
417/194, 234, 321, 366, 405, 408-409, 902;
415/219 R, 219 C**

[56] **References Cited**

U.S. PATENT DOCUMENTS

D. 263,839 4/1982 Somme D15/7

D. 295,046 4/1988 Odell D15/7
D. 296,698 7/1988 King D15/7
2,850,228 9/1958 Rowley 417/234 X

Primary Examiner—Wallace R. Burke
Assistant Examiner—Brian N. Vinson

[57] **CLAIM**

The ornamental design for an air pump, as shown.

DESCRIPTION

FIG. 1 is a perspective view of an air pump showing my new design;

FIG. 2 is a left side elevational view thereof;

FIG. 3 is a right side elevational view thereof;

FIG. 4 is a top plan view thereof;

FIG. 5 is a front elevational view thereof;

FIG. 6 is a bottom plan view thereof; and

FIG. 7 is a rear elevational view thereof.

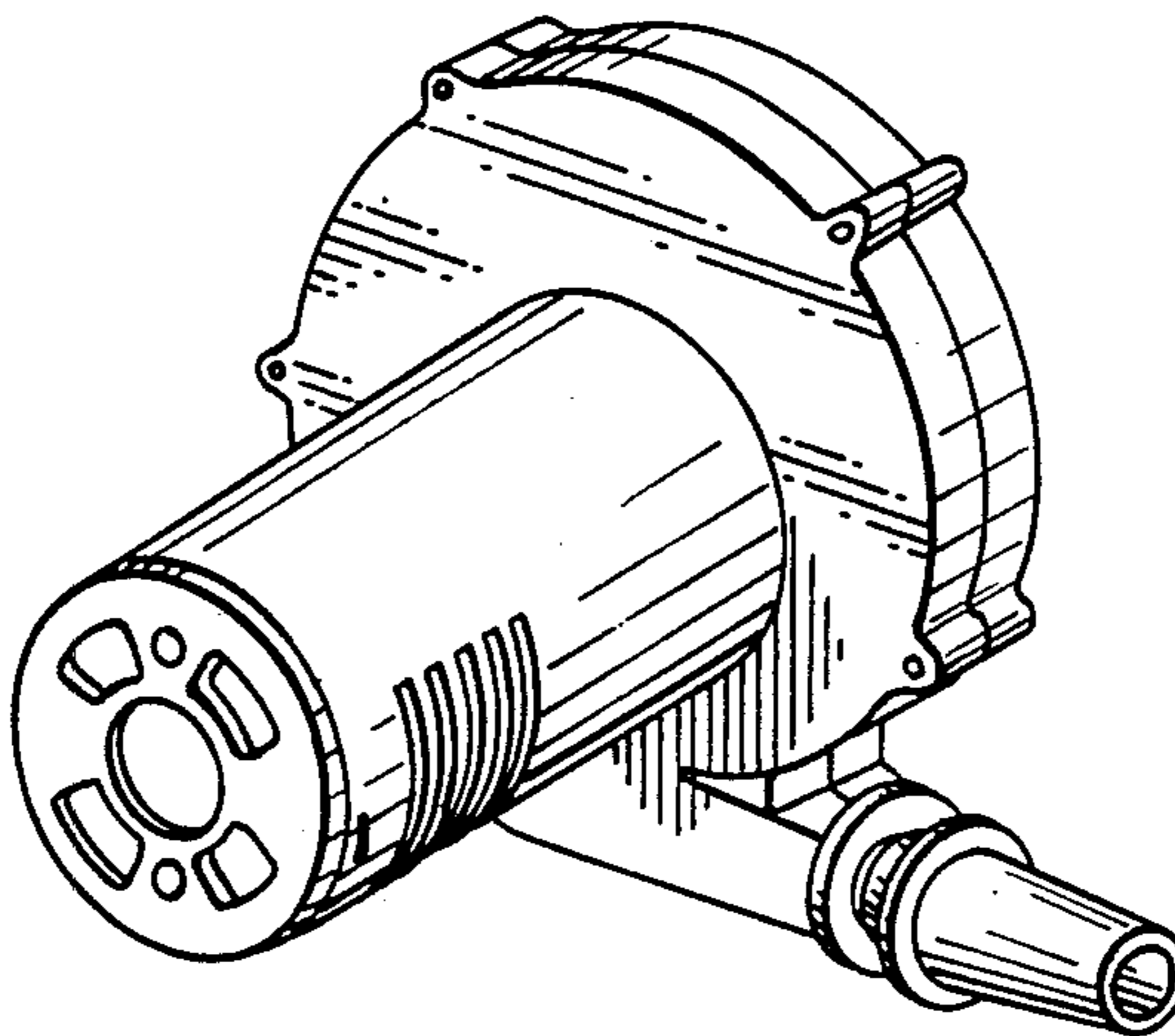


FIG. 1

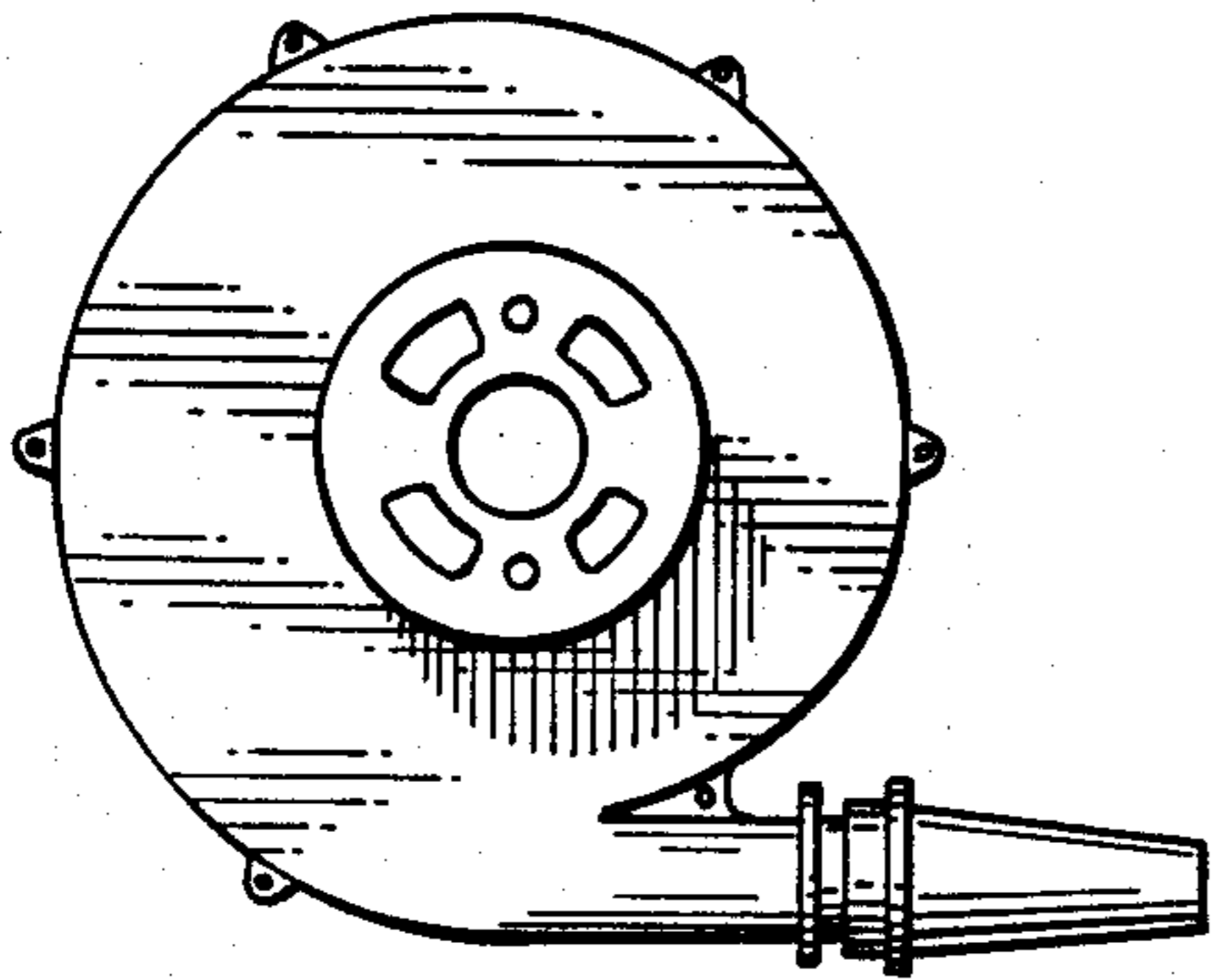
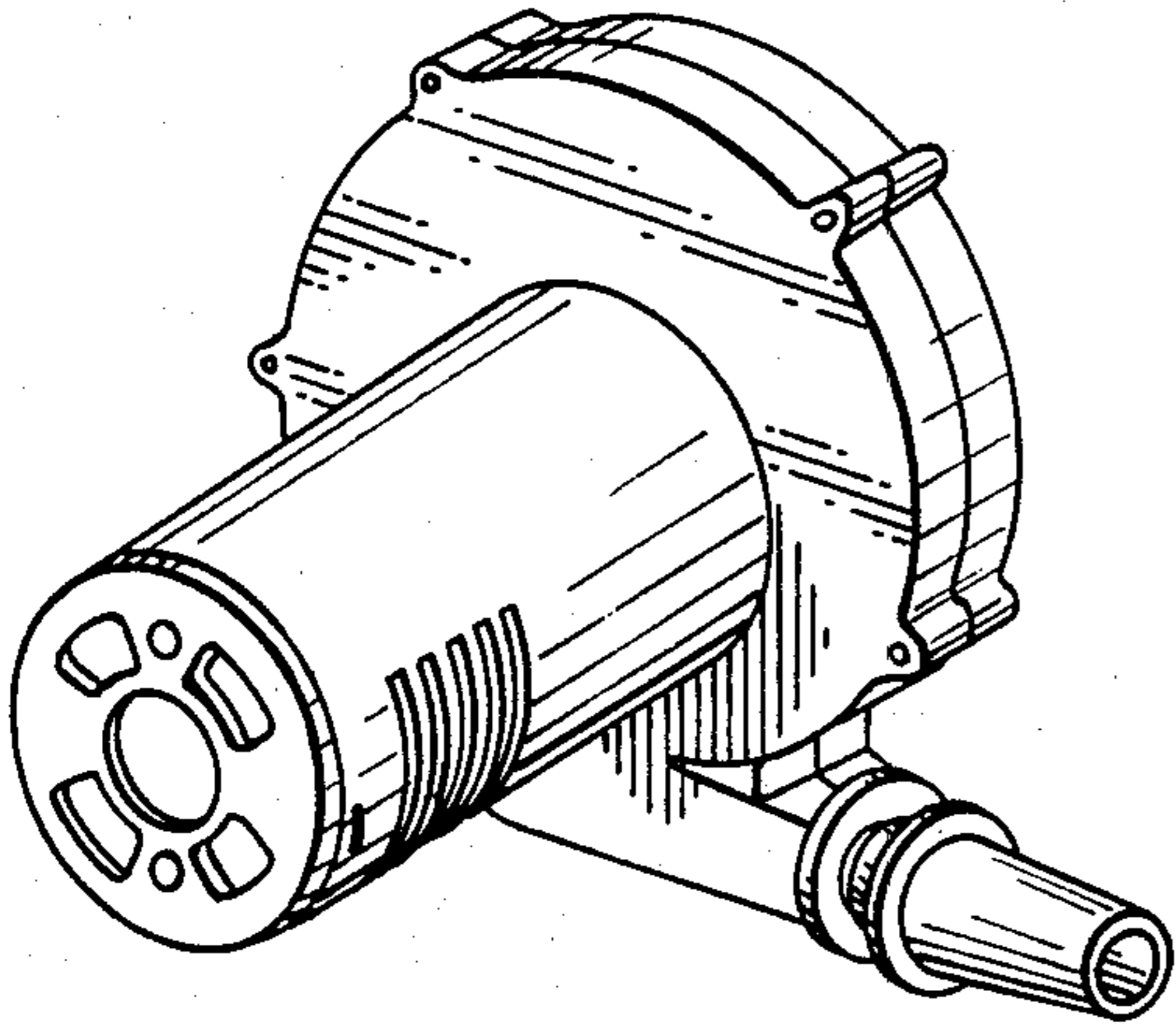


FIG. 2

FIG. 3

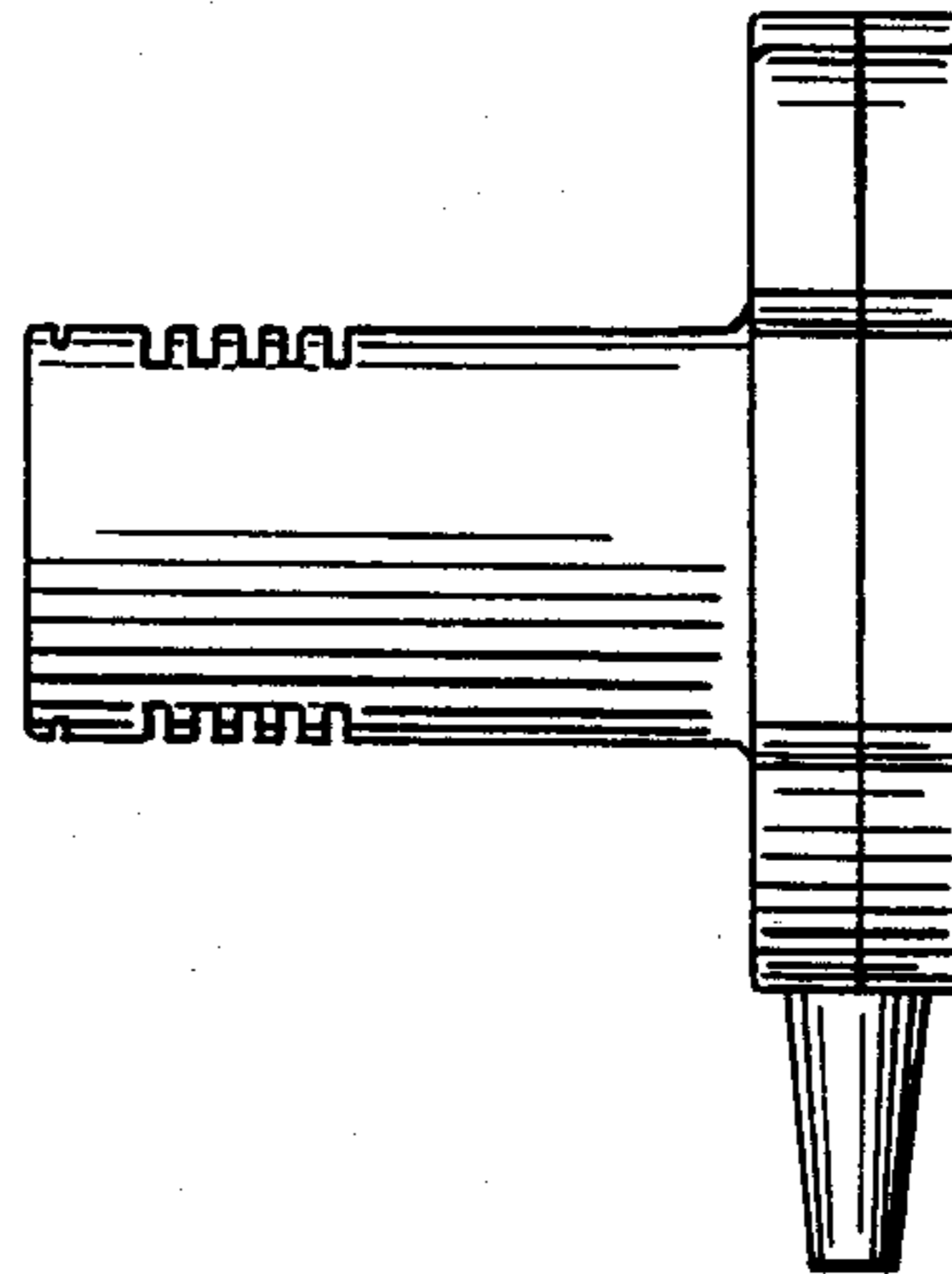
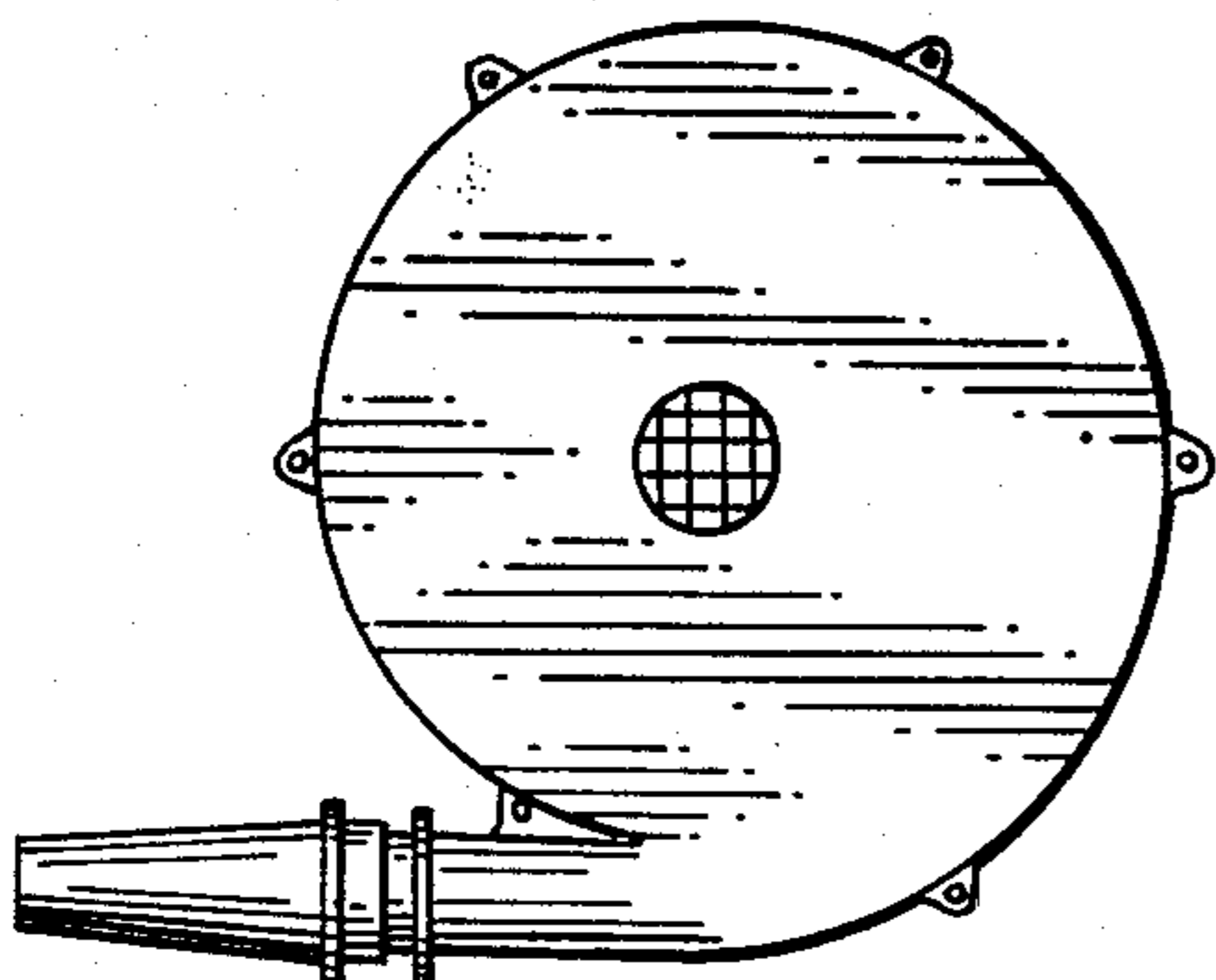


FIG. 4

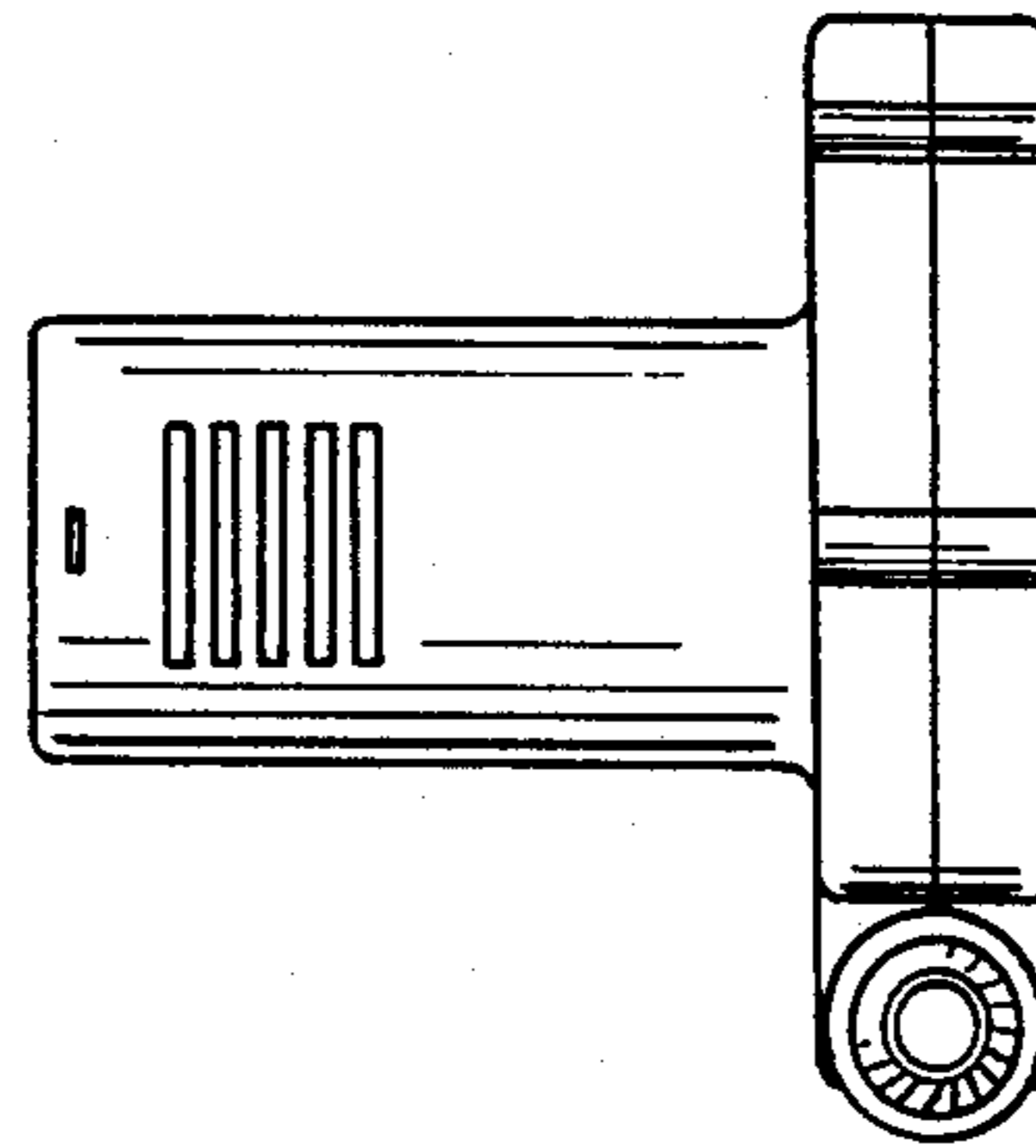


FIG. 5

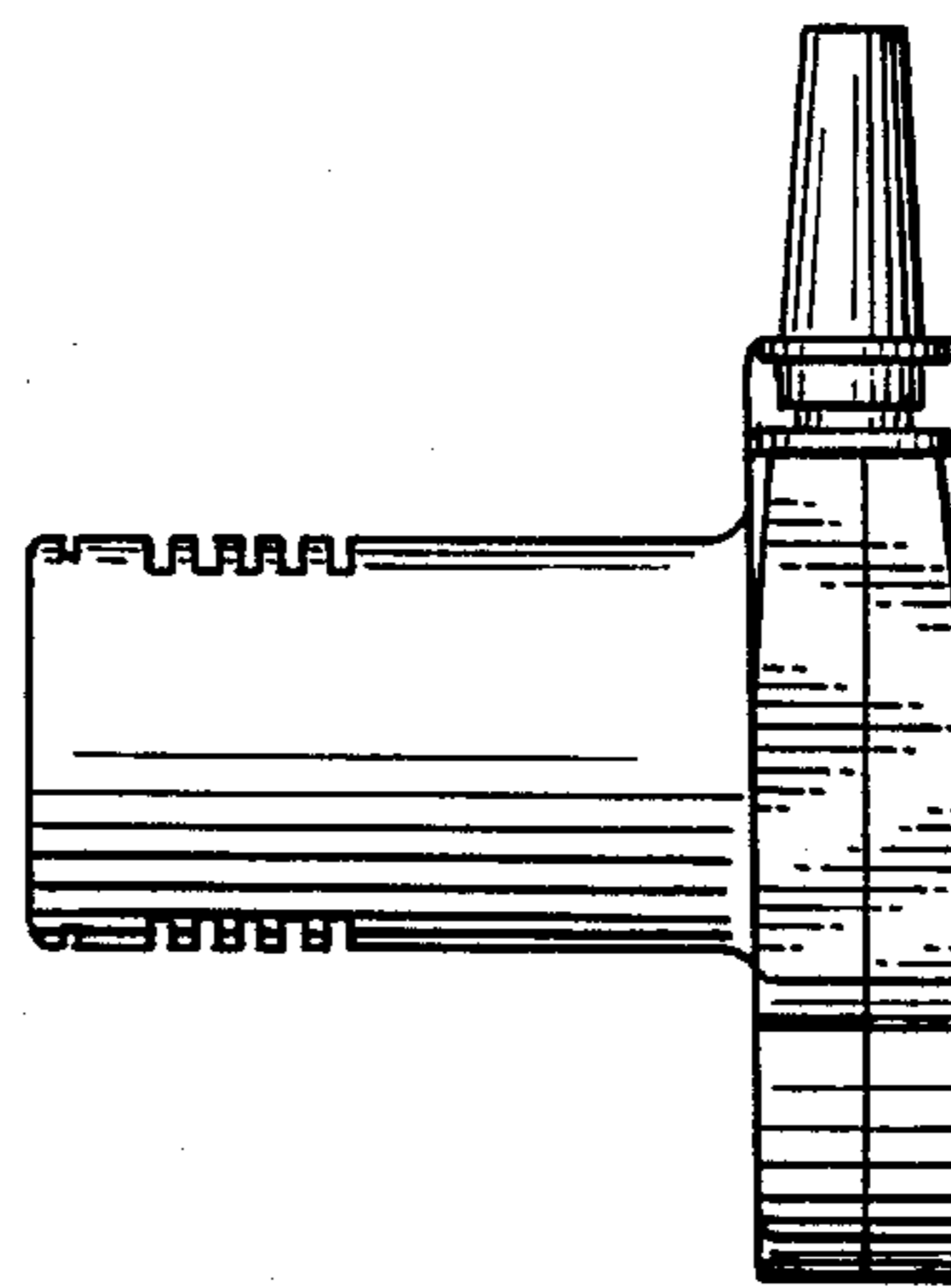


FIG. 6

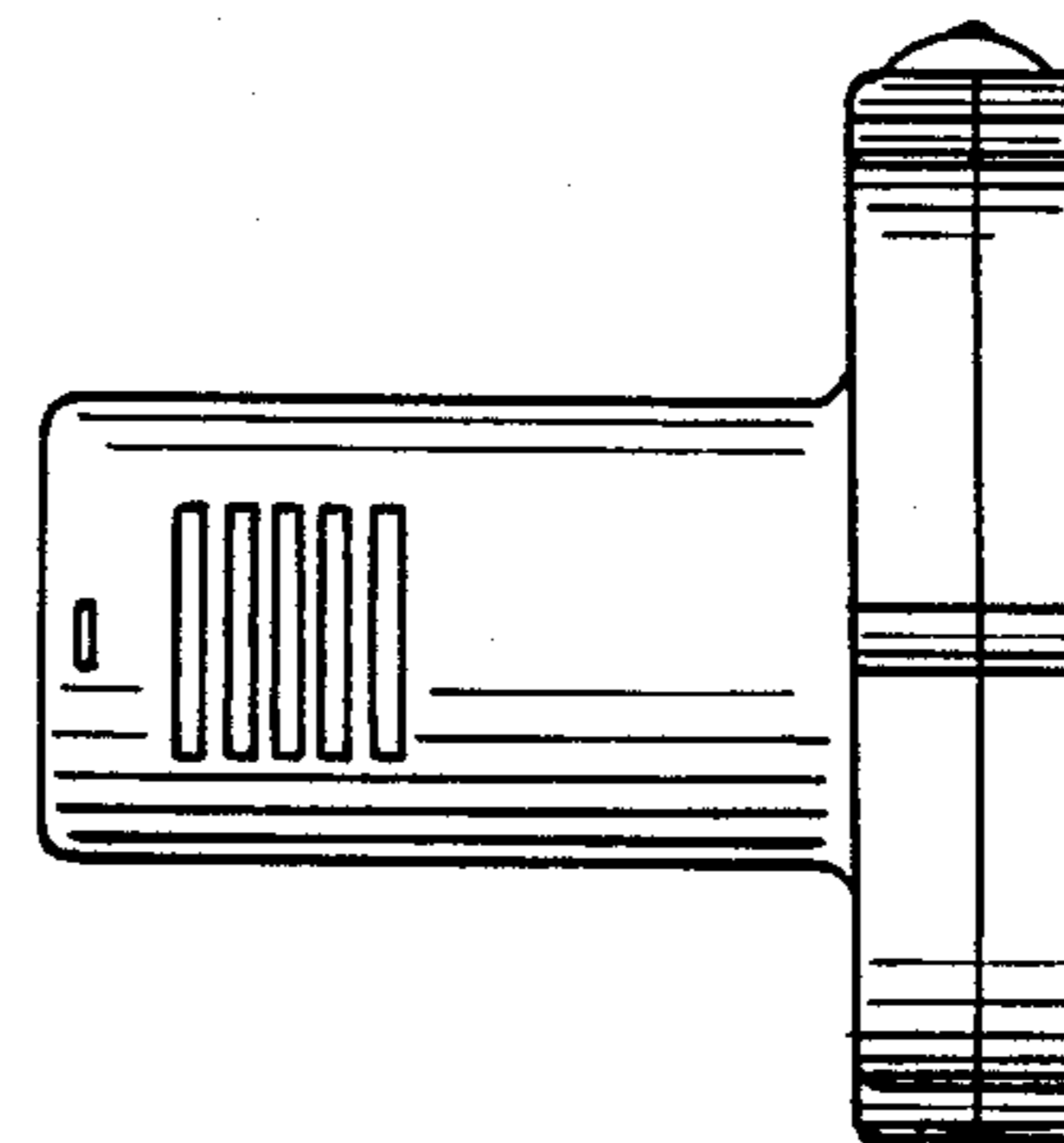


FIG. 7