

[54] SPLITTER

[75] Inventor: Kiyozumi Chino, Tokyo, Japan

[73] Assignee: Uro Denshi Kogyo Kabushiki Kaisha,
Tokyo, Japan

[**] Term: 14 Years

[21] Appl. No.: 821,076

[22] Filed: Jan. 21, 1986

[30] Foreign Application Priority Data

Sep. 9, 1985 [JP] Japan 60-37794

[52] U.S. Cl. D14/217; D14/230;
D14/299

[58] Field of Search D14/90, 86, 99, 84;
D13/24, 28, 12, 40, 41, 99; 333/100, 115, 127,
131

[56] References Cited

U.S. PATENT DOCUMENTS

D. 174,057 2/1955 Ritter D14/90
D. 215,722 10/1969 Winston et al. D14/90 X
3,250,994 5/1966 Porter 333/127 X

OTHER PUBLICATIONS

Radio Shack 1986 Catalog No. 393, p. 99, Item #18-Hybrid Splitter/Combiner.

RMS 1973 Catalog No. 73, p. 29-bottom left Mini-Midget 2-Way Hybrid Splitter.

Primary Examiner—Bernard Ansher

Assistant Examiner—Theodore M. Shooman

Attorney, Agent, or Firm—Bruce L. Adams; Van C. Wilks

[57] CLAIM

The ornamental design for a splitter, as shown and described.

DESCRIPTION

FIG. 1 is a top, rear and left side perspective view of a splitter showing my new design;

FIG. 2 is a front elevational view thereof;

FIG. 3 is a rear elevational view thereof;

FIG. 4 is a top plan view thereof;

FIG. 5 is a bottom plan view thereof;

FIG. 6 is a right side elevational view thereof;

FIG. 7 is a left side elevational view thereof;

FIG. 8 is a sectional view thereof taken in the direction of the arrows on line 8—3 of FIG. 4;

FIG. 9 is a sectional view thereof taken in the direction of the arrows on line 9—9 of FIG. 4; and

FIG. 10 is a sectional view thereof taken in the direction of the arrows on line 10—10 of FIG. 2.

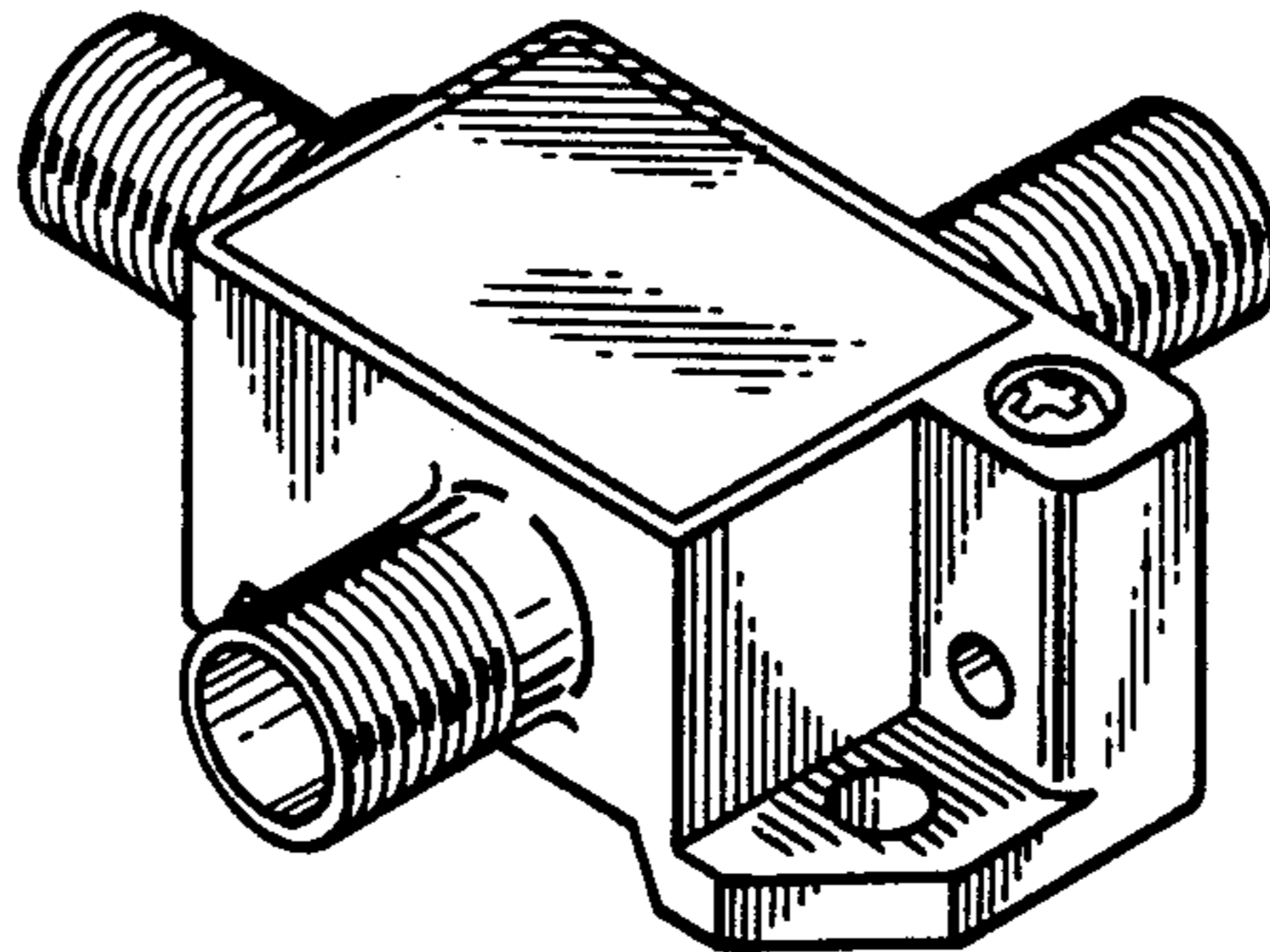


FIG. 1

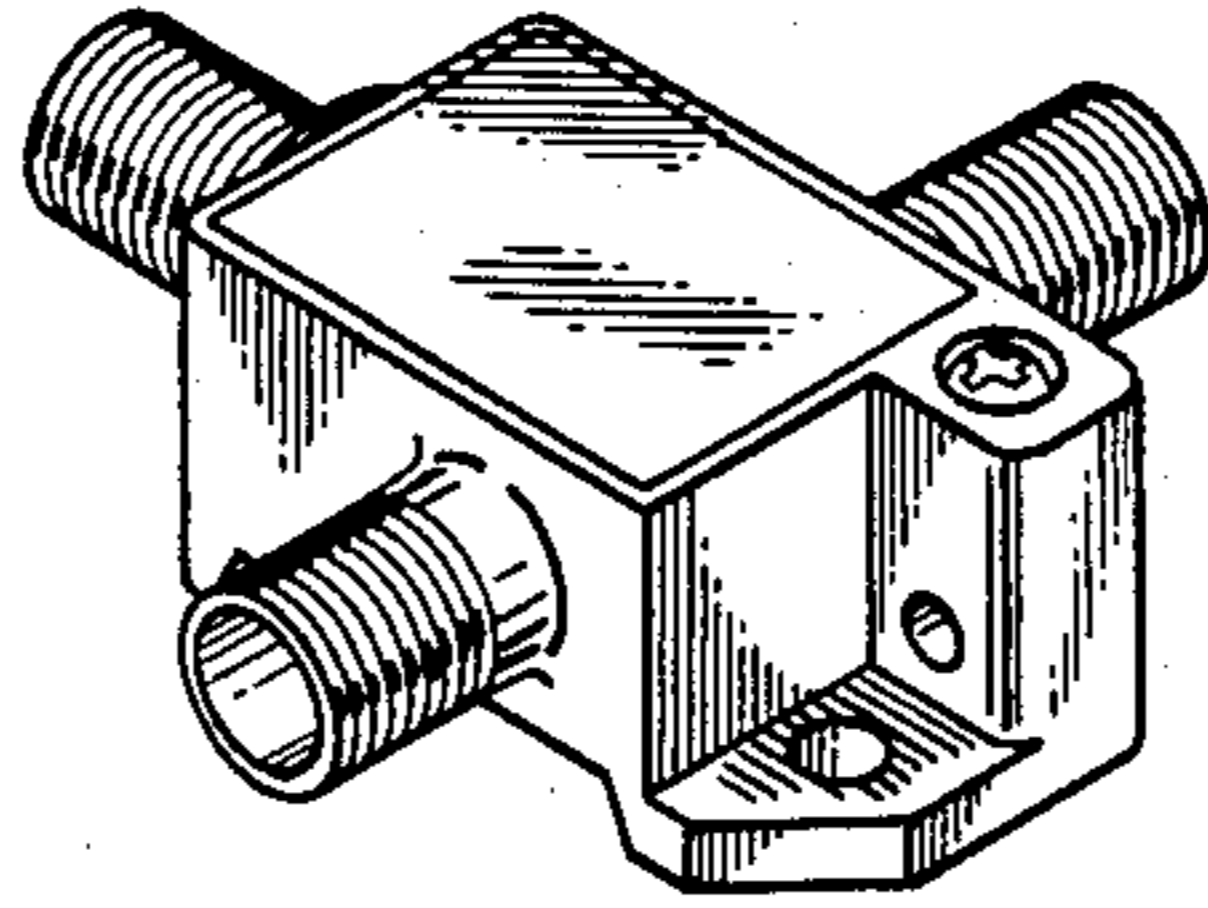


FIG. 2

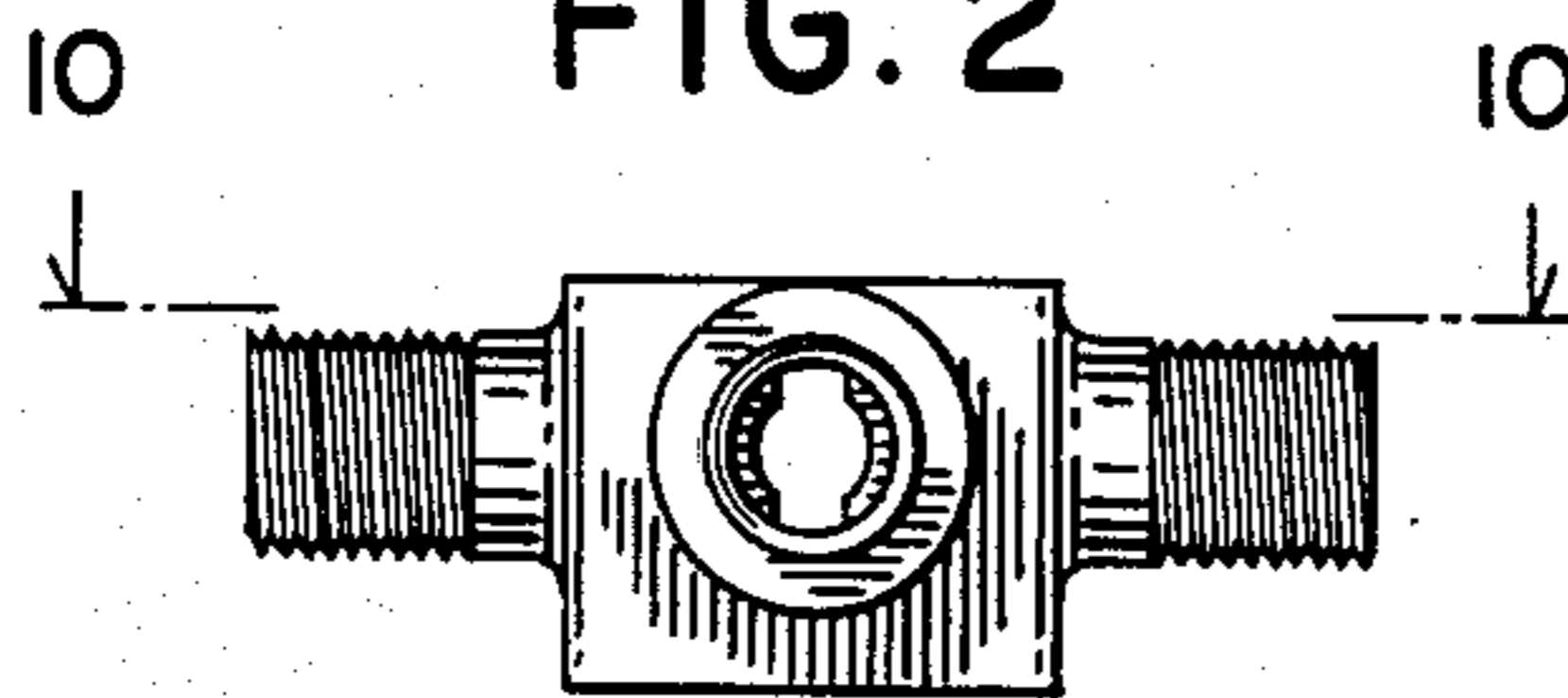


FIG. 3

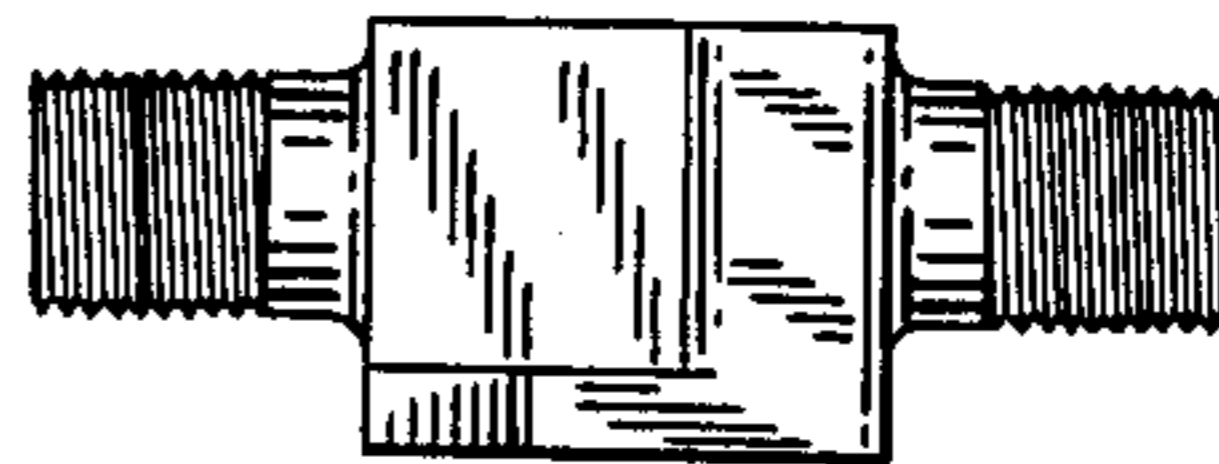


FIG. 4

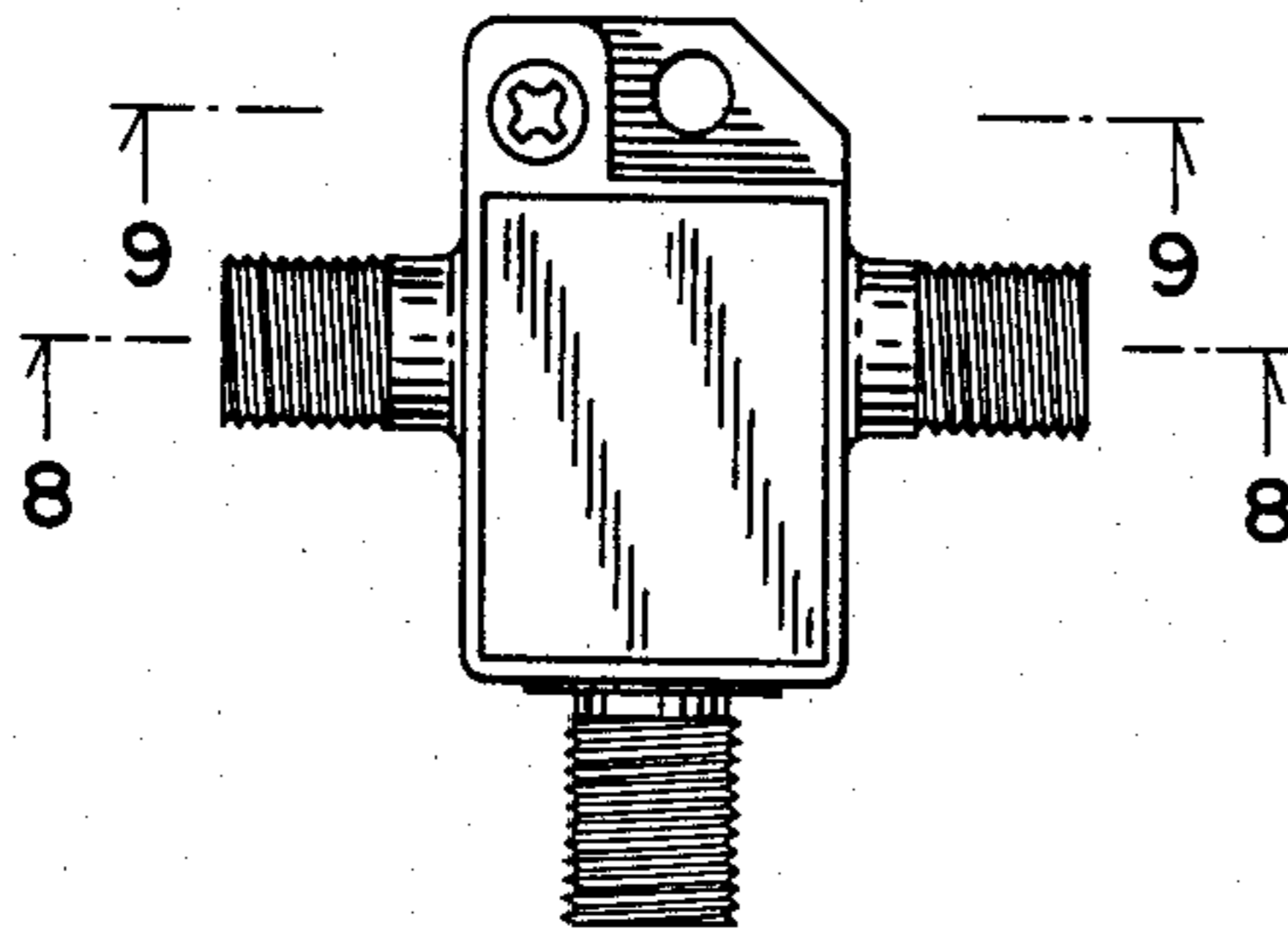


FIG. 5

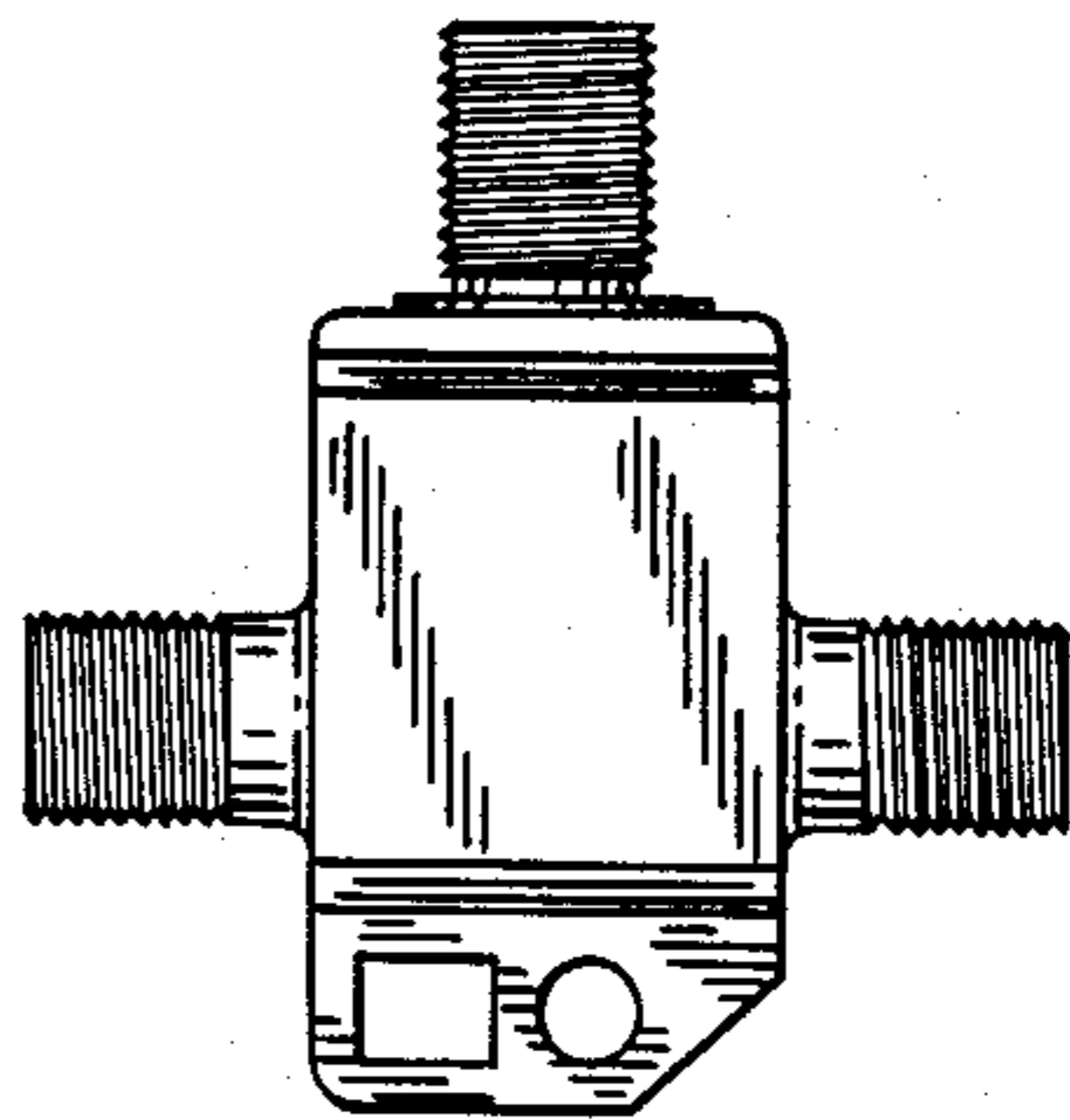


FIG. 6

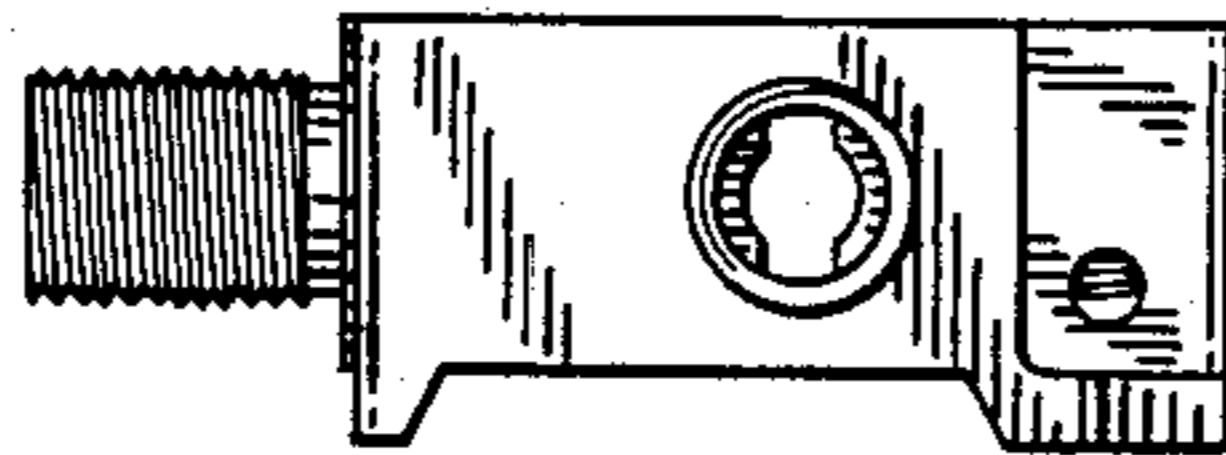


FIG. 7

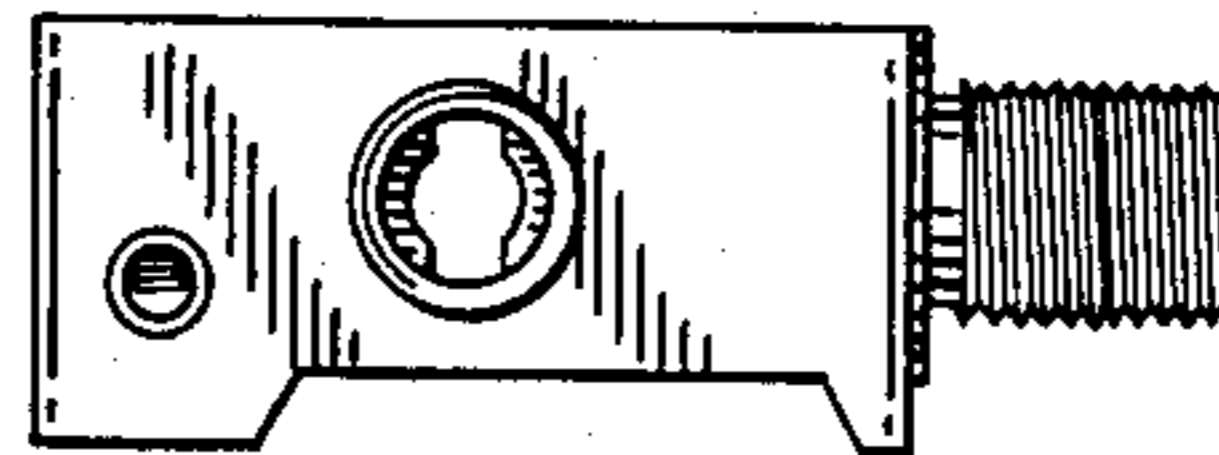


FIG. 8

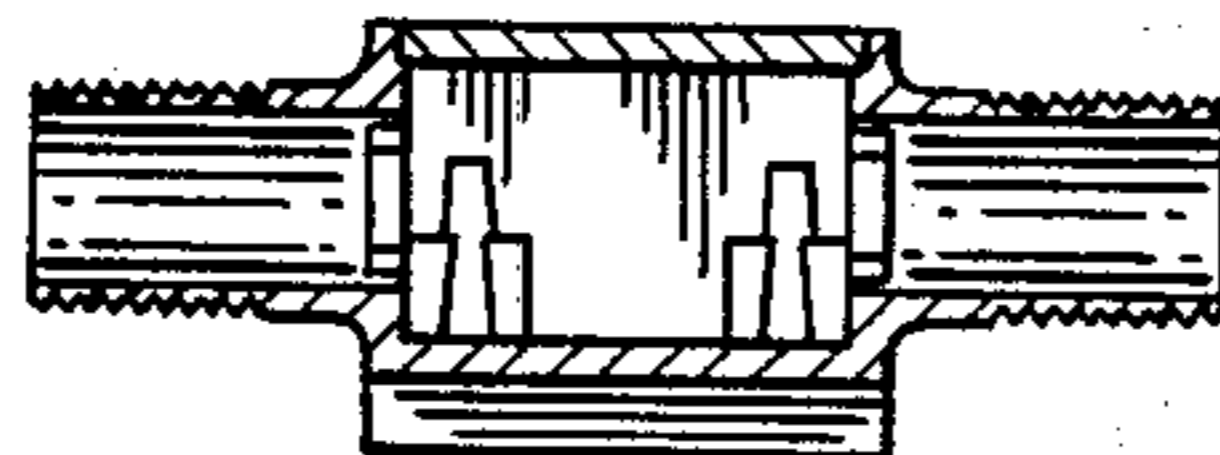


FIG. 10

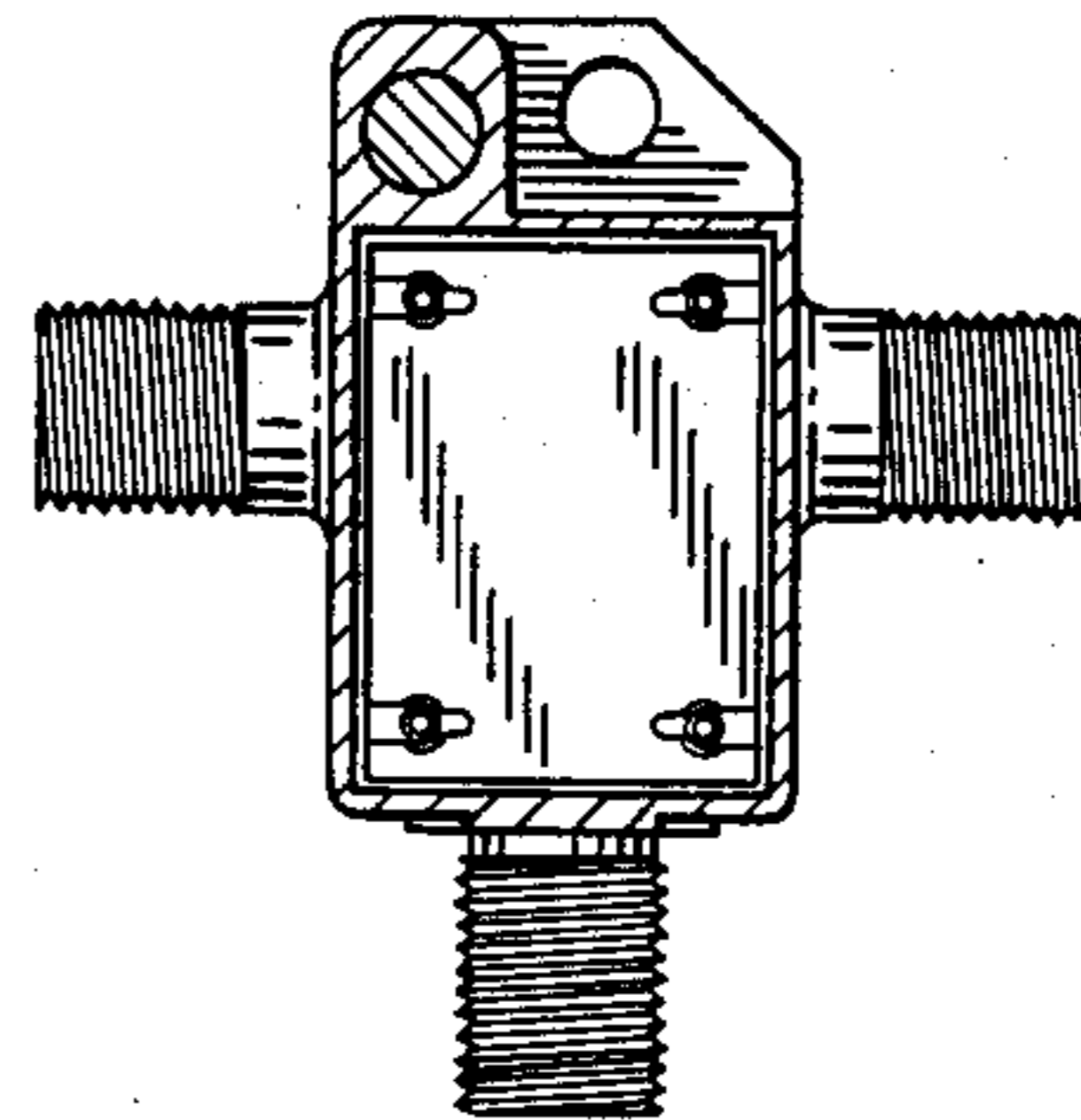


FIG. 9

