

[54] SPLITTER

[75] Inventor: Kiyozumi Chino, Tokyo, Japan

[73] Assignee: Uro Denshi Kogyo Kabushiki Kaisha,
Tokyo, Japan

[**] Term: 14 Years

[21] Appl. No.: 820,944

[22] Filed: Jan. 21, 1986

[30] Foreign Application Priority Data

Sep. 9, 1985 [JP] Japan 60-37793

[52] U.S. Cl. D14/217; D14/230;
D14/299

[58] Field of Search D14/90, 86, 99, 84;
D13/24, 28, 12, 40, 41, 99; 333/100, 115, 127,
131

[56] References Cited

U.S. PATENT DOCUMENTS

D. 174,057 2/1955 Ritter D14/90
D. 201,884 8/1965 Blake et al. D14/99 X
D. 215,722 10/1969 Winston et al. D14/90 X
D. 236,481 8/1975 Johnston D13/24

OTHER PUBLICATIONS

Radio Shack 1986 Catalog No. 393, p. 99, Item #16
4-Set Amplified Coupler.

RMS 1973 Catalog, No. 73, p. 29, bottom center, Eight-
-Way Hybrid Splitter.

Primary Examiner—Bernard Ansher

Assistant Examiner—Theodore M. Shooman

Attorney, Agent, or Firm—Bruce L. Adams; Van C.
Wilks

[57] CLAIM

The ornamental design for a splitter, as shown and
described.

DESCRIPTION

FIG. 1 is a front elevational view of a splitter showing
my new design;

FIG. 2 is a rear elevational view thereof;

FIG. 3 is a top plan view thereof;

FIG. 4 is a bottom plan view thereof;

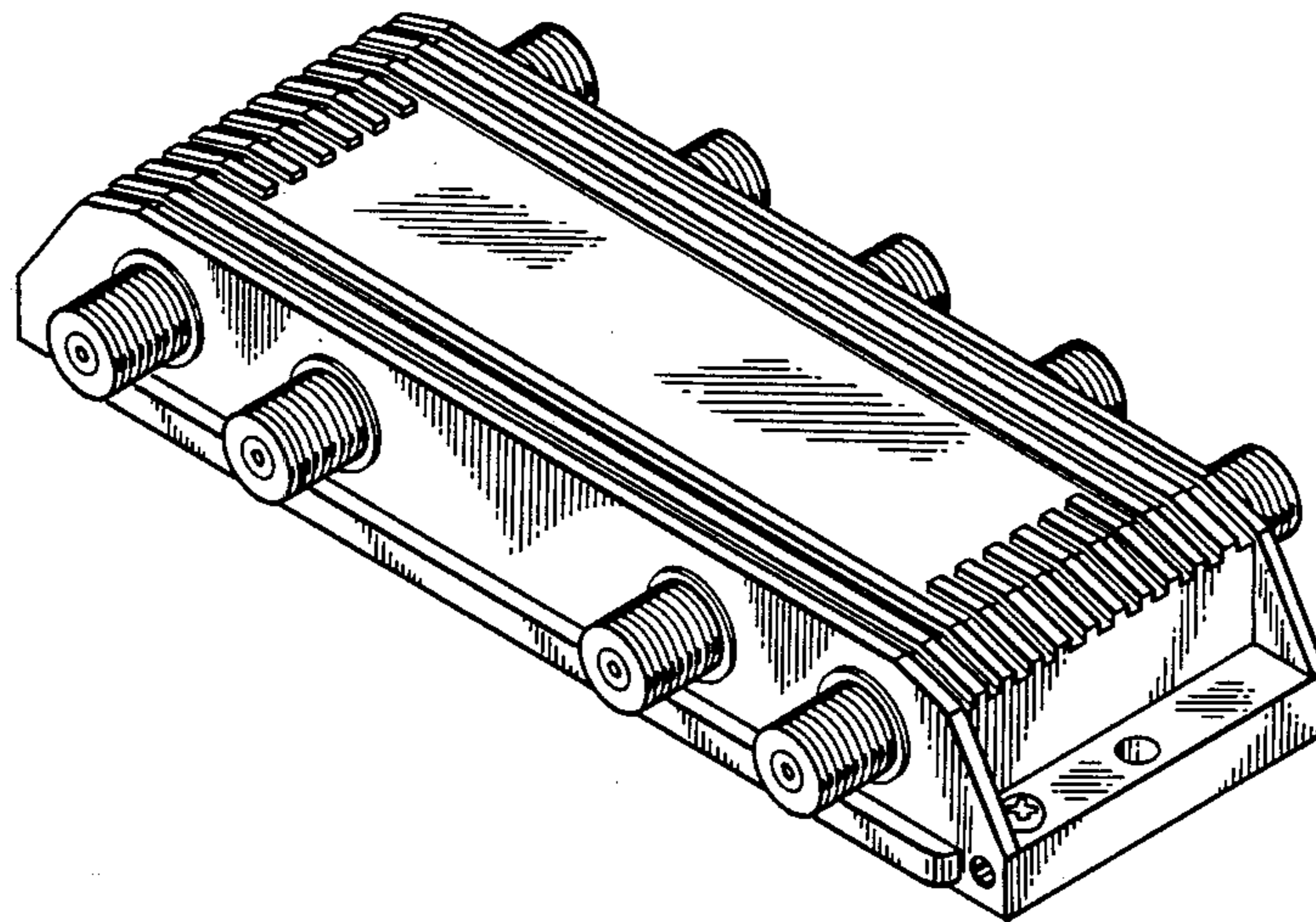
FIG. 5 is a right side elevational view thereof;

FIG. 6 is a left side elevational view thereof;

FIG. 7 is a top front perspective view thereof;

FIG. 8 is a sectional view thereof taken in the direction
of the arrows on line 8—8 of FIG. 1; and

FIG. 9 is a sectional view thereof taken in the direction
of the arrows on line 9—9 of FIG. 1.



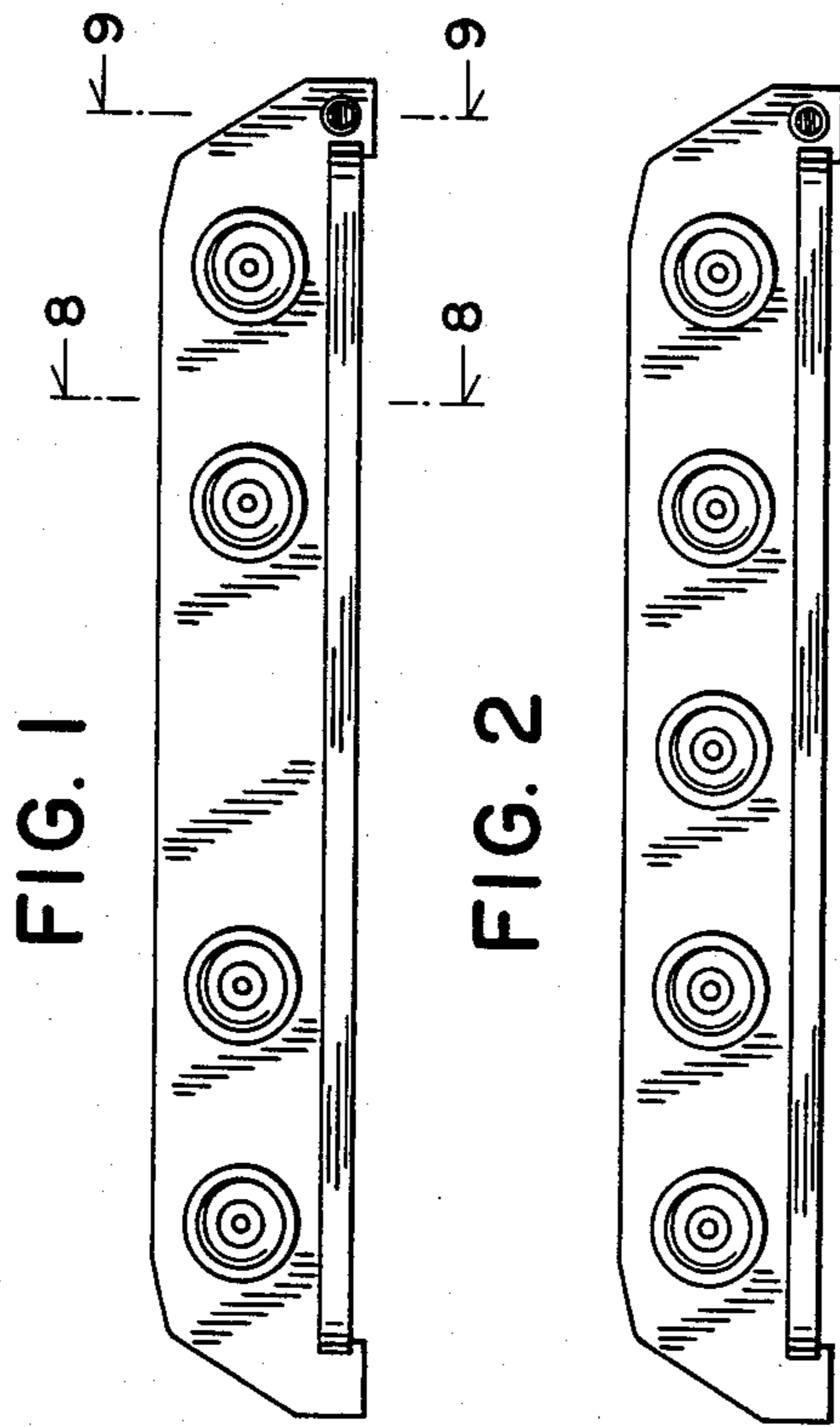


FIG. 4

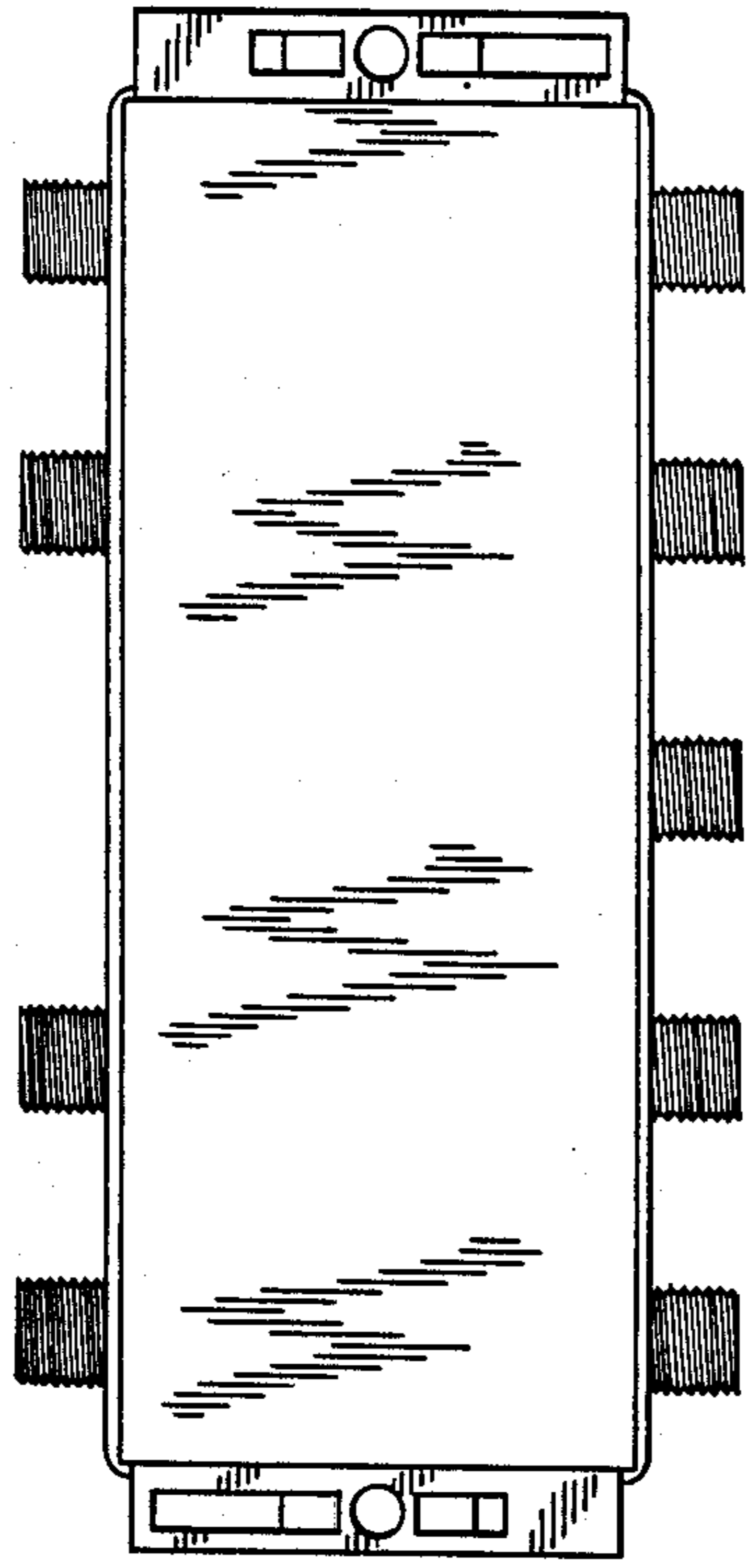


FIG. 5

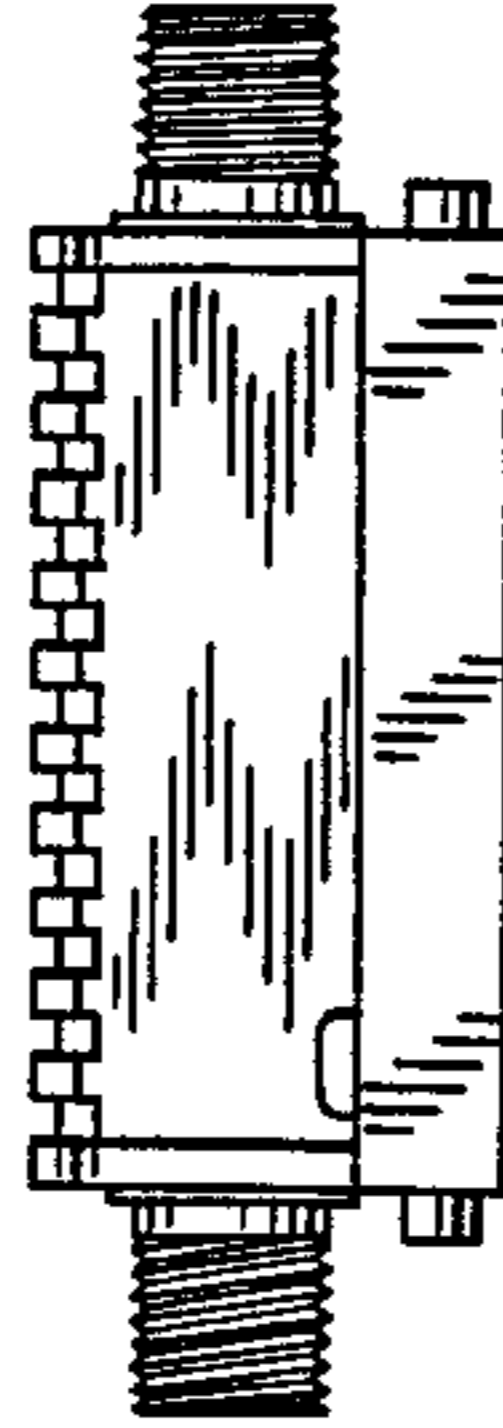


FIG. 6

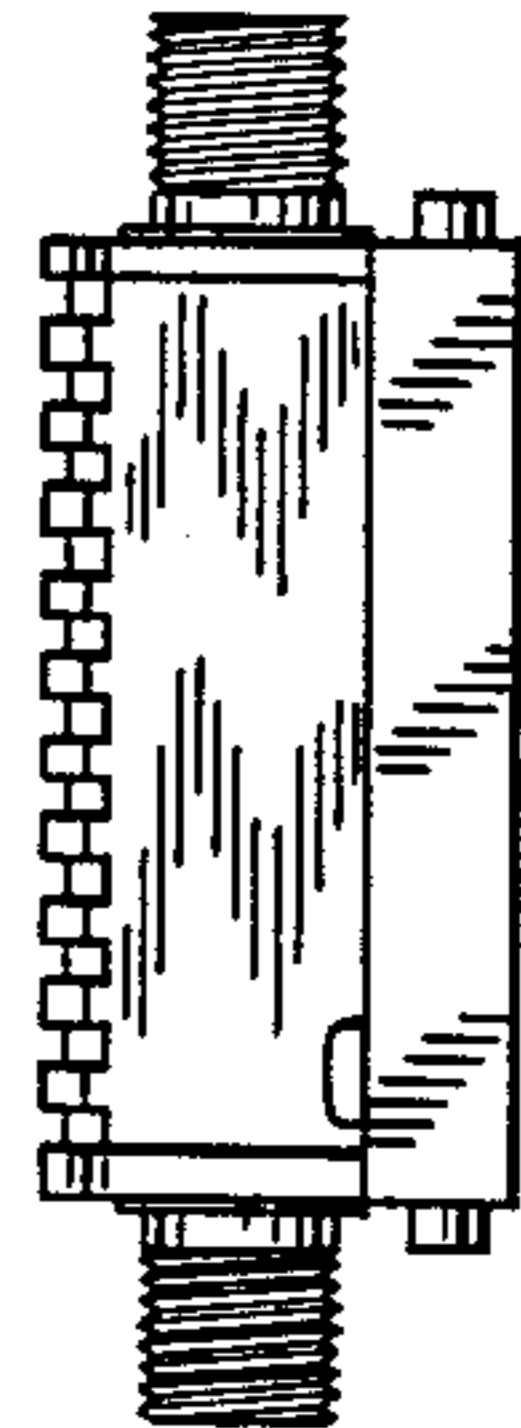


FIG. 3

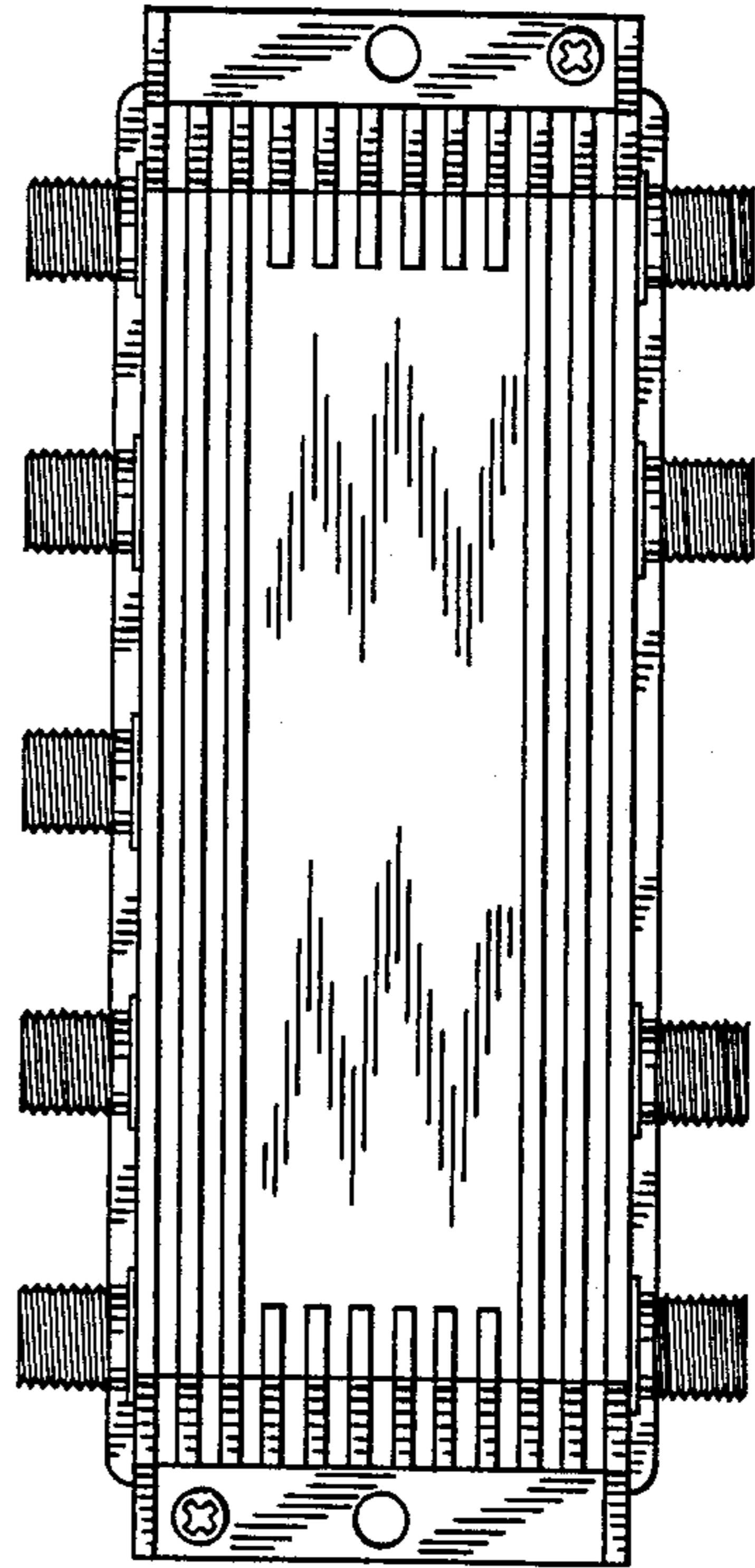


FIG. 7

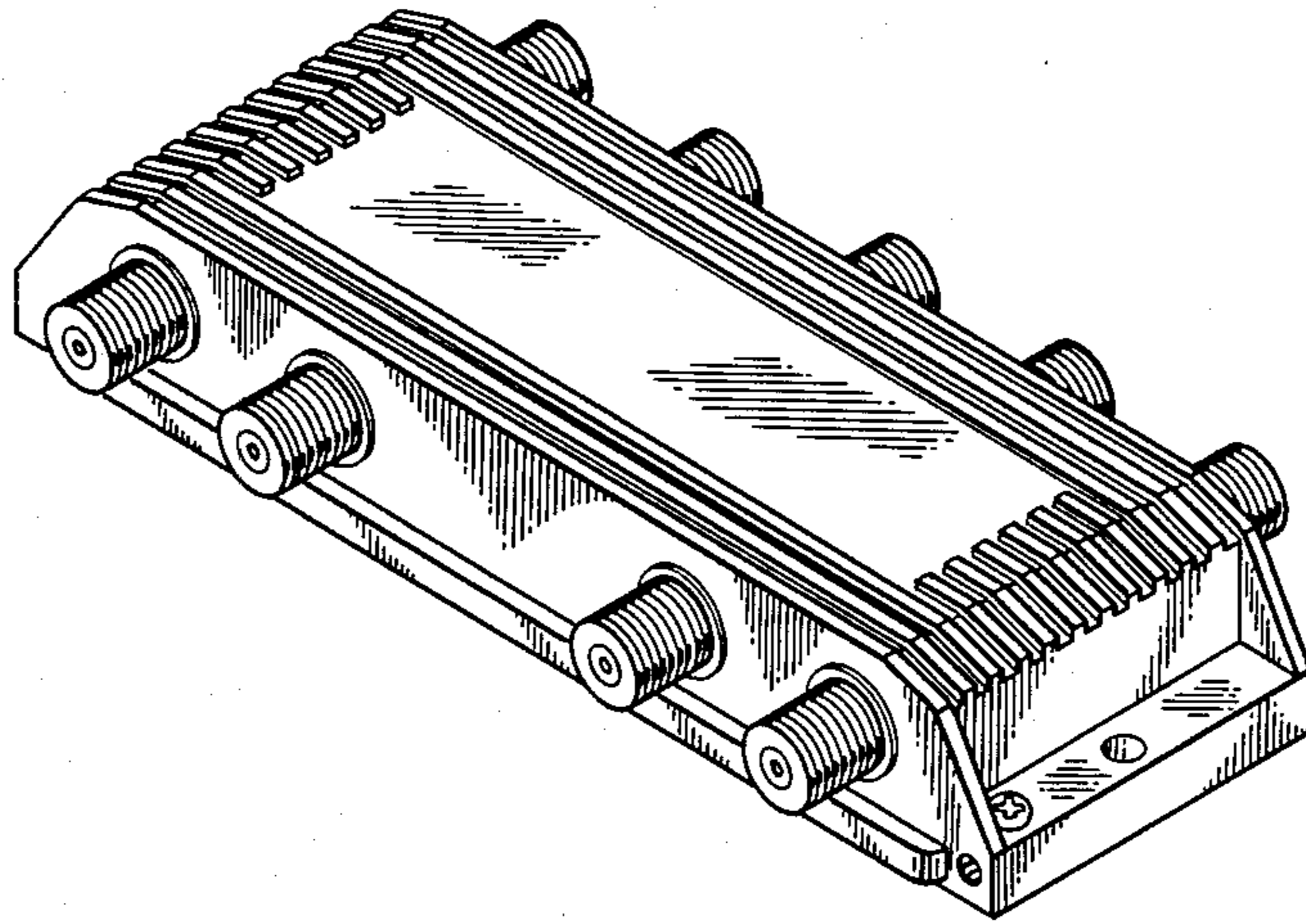


FIG. 8

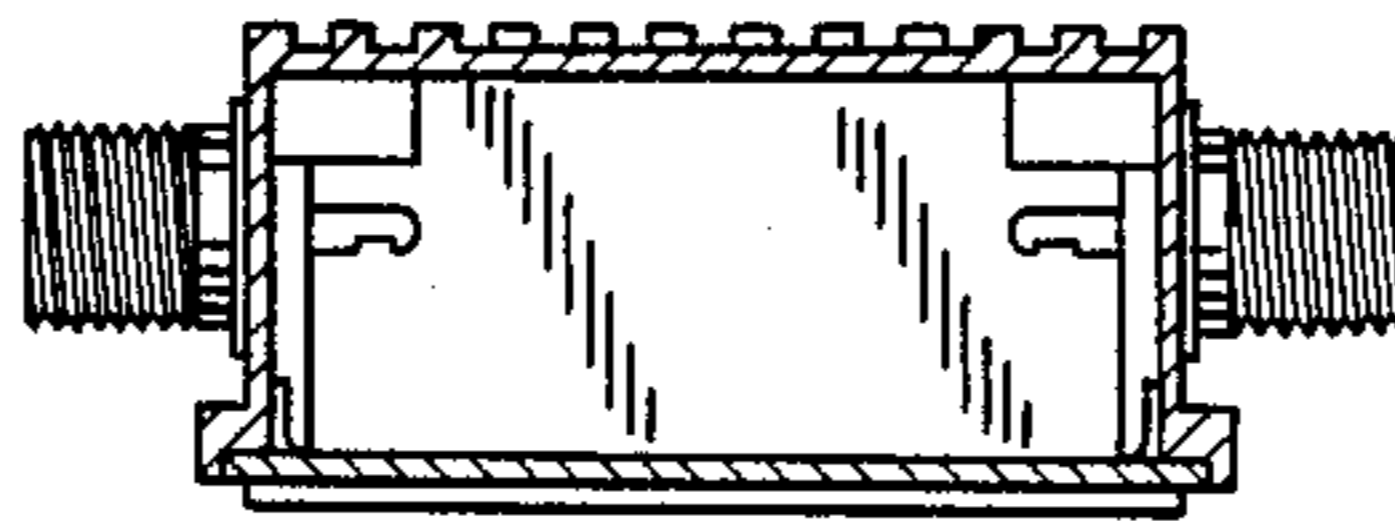


FIG. 9

