

[54] SPLITTER

[75] Inventor: Kiyozumi Chino, Tokyo, Japan  
[73] Assignee: Uro Denshi Kogyo Kabushiki Kaisha,  
Tokyo, Japan  
[\*\*] Term: 14 Years  
[21] Appl. No.: 820,942  
[22] Filed: Jan. 21, 1986

[30] Foreign Application Priority Data

Sep. 9, 1985 [JP] Japan ..... 60-37795  
[52] U.S. Cl. .... D14/217; D14/230;  
D14/299  
[58] Field of Search ..... D14/90, 86, 99, 84;  
D13/24, 28, 12, 40, 41, 99; 333/100, 115, 127,  
131

[56] References Cited

U.S. PATENT DOCUMENTS

D. 174,057 2/1955 Ritter ..... D14/90  
D. 215,722 10/1969 Winston et al. .... D14/90 X  
D. 236,481 8/1975 Johnston ..... D13/24  
3,676,744 7/1972 Pennypacker ..... 333/127 X

OTHER PUBLICATIONS

Radio Shack 1986 Catalog No. 393, p. 99, Item #18,  
Hybrid Splitter/Combiner.

Primary Examiner—Bernard Ansher  
Assistant Examiner—Theodore M. Shooman  
Attorney, Agent, or Firm—Bruce L. Adams; Van C.  
Wilks

[57] CLAIM

The ornamental design for a splitter, as shown and  
described.

DESCRIPTION

FIG. 1 is a top front perspective view of the splitter  
showing my new design;  
FIG. 2 is a front elevational view thereof;  
FIG. 3 is a rear elevational view thereof;  
FIG. 4 is a top plan view thereof;  
FIG. 5 is a bottom plan view thereof;  
FIG. 6 is a right side elevational view thereof;  
FIG. 7 is a left side elevational view thereof;  
FIG. 8 is a sectional view thereof taken in the direction  
of the arrows on line 8—8 of FIG. 2;  
FIG. 9 is a sectional view thereof taken in the direction  
of the arrows on line 9—9 of FIG. 2; and  
FIG. 10 is a sectional view thereof taken in the direction  
of the arrows on line 10—10 of FIG. 2.

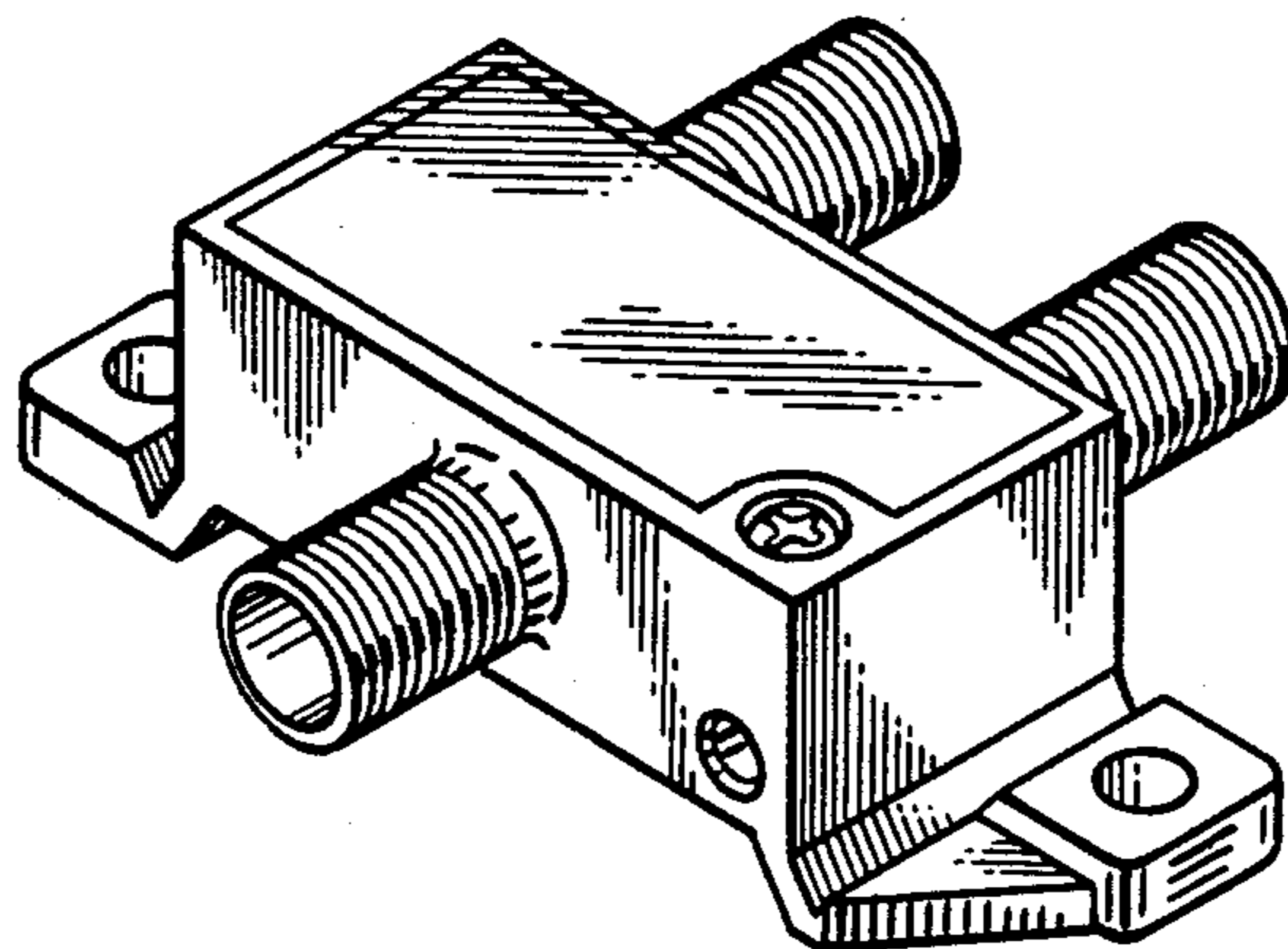


FIG. 1

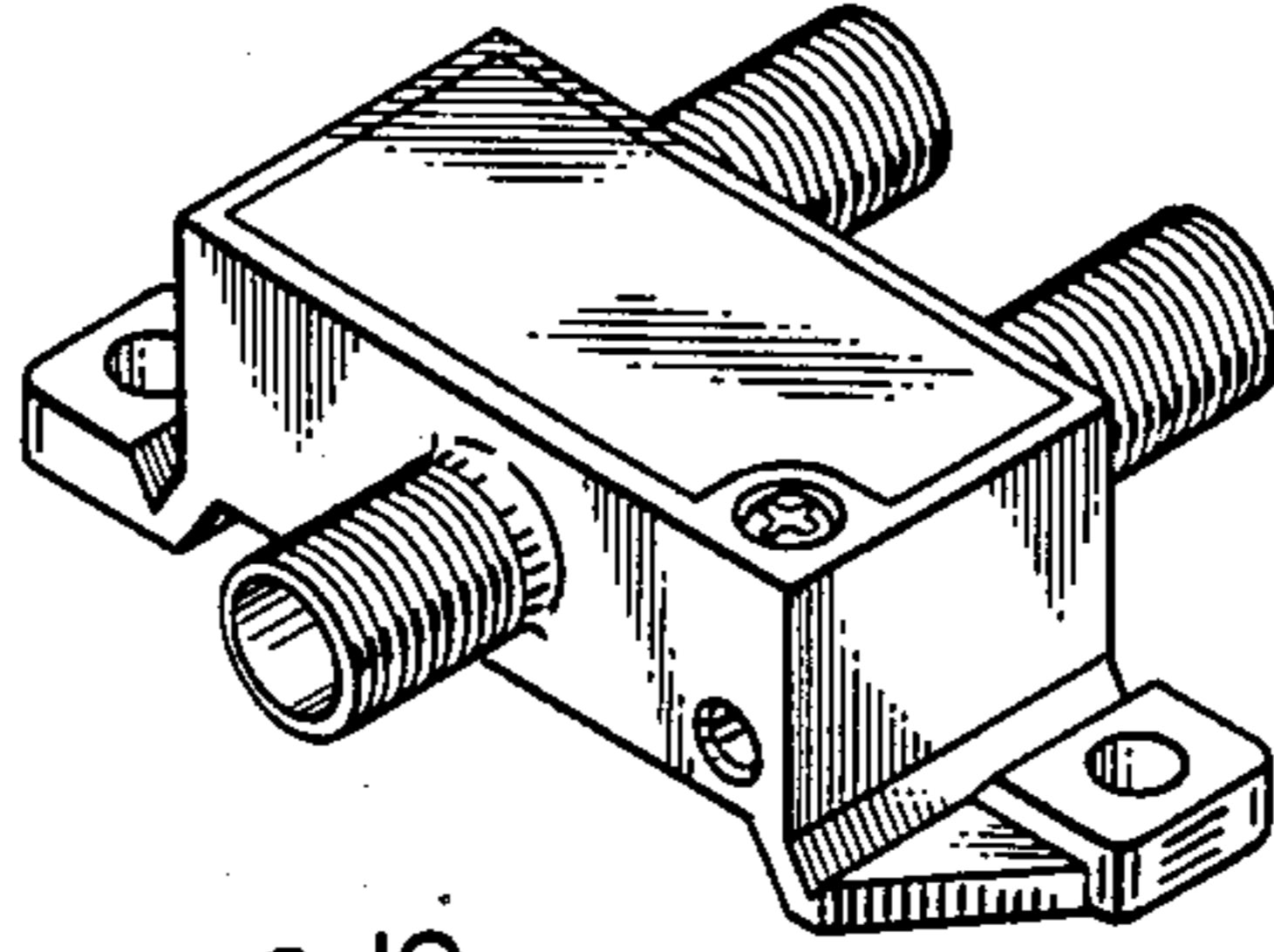


FIG. 2

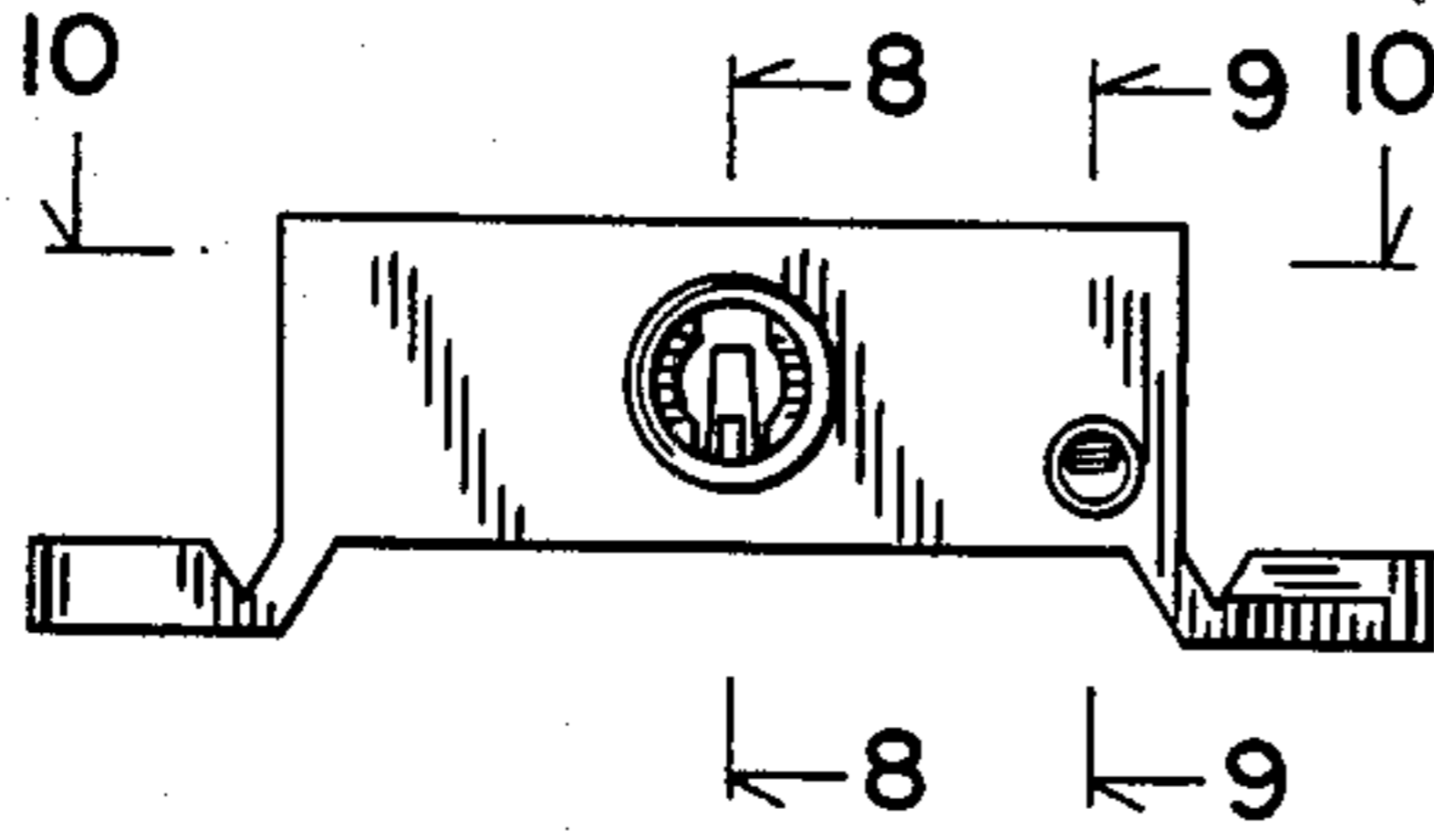


FIG. 3

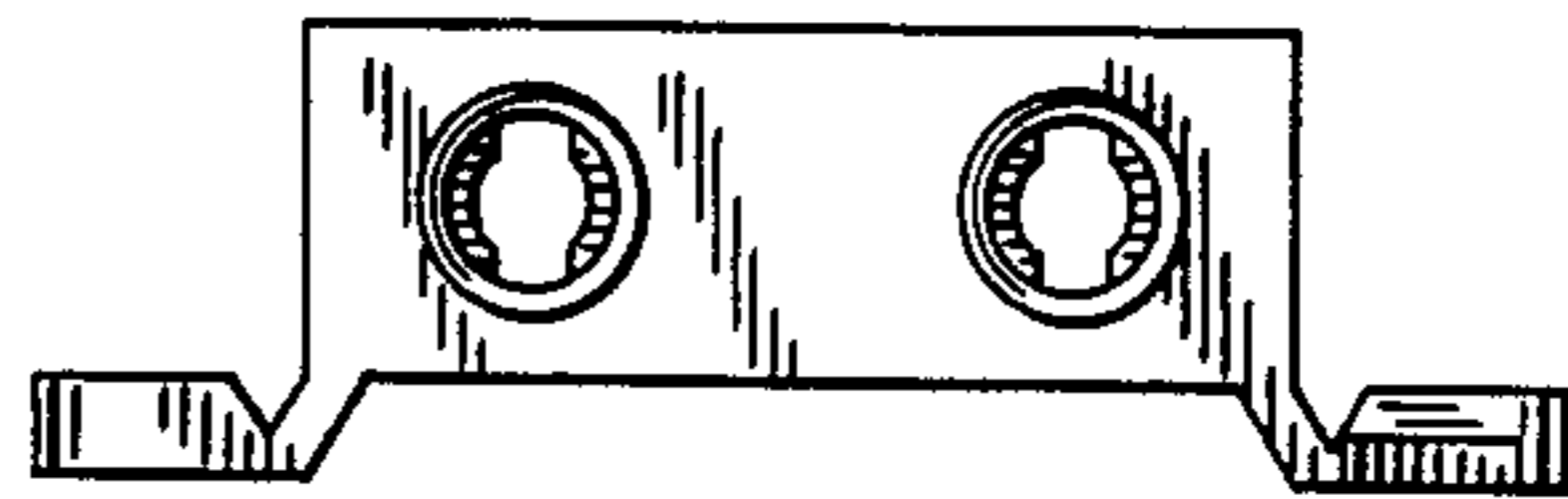


FIG. 4

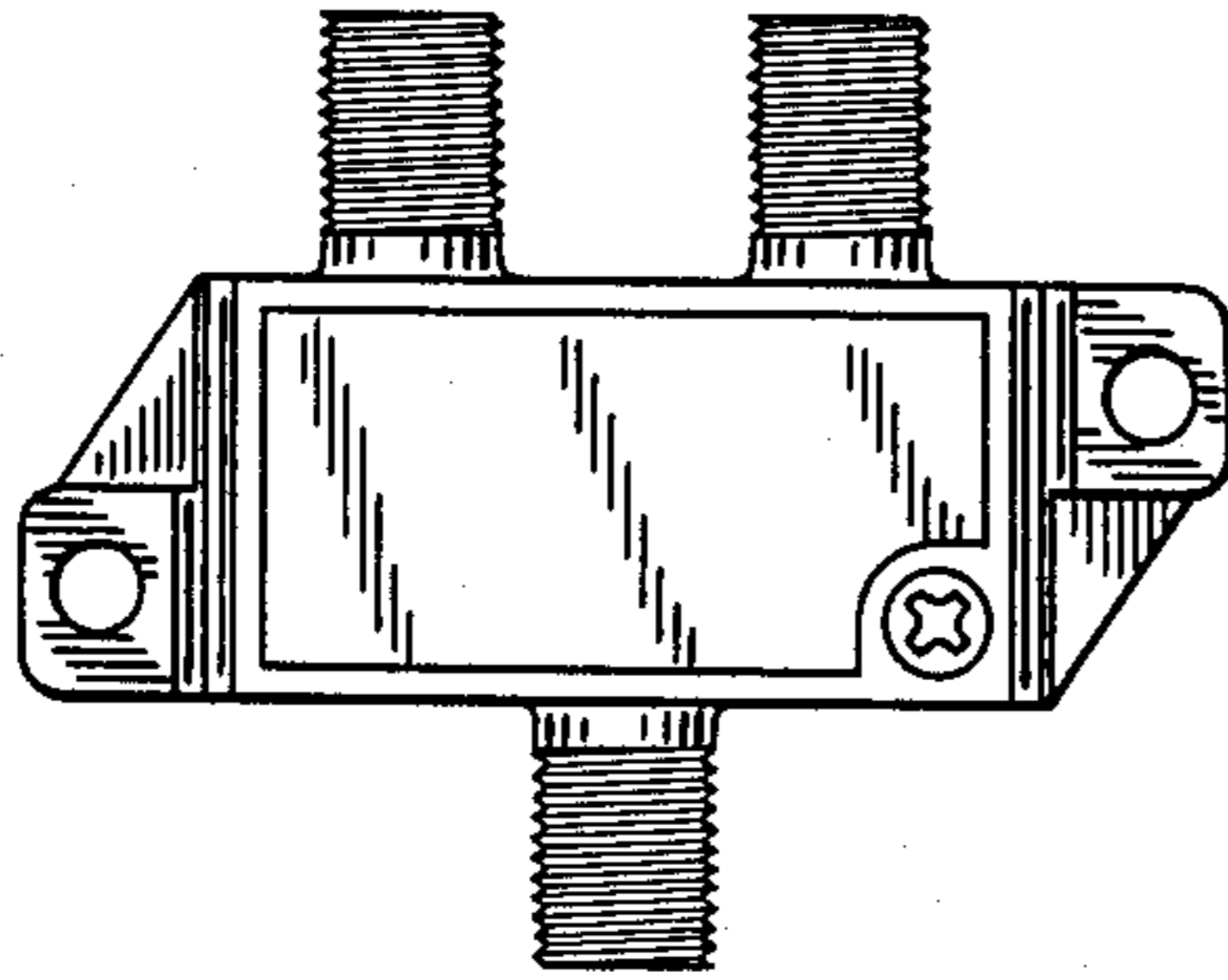


FIG. 5

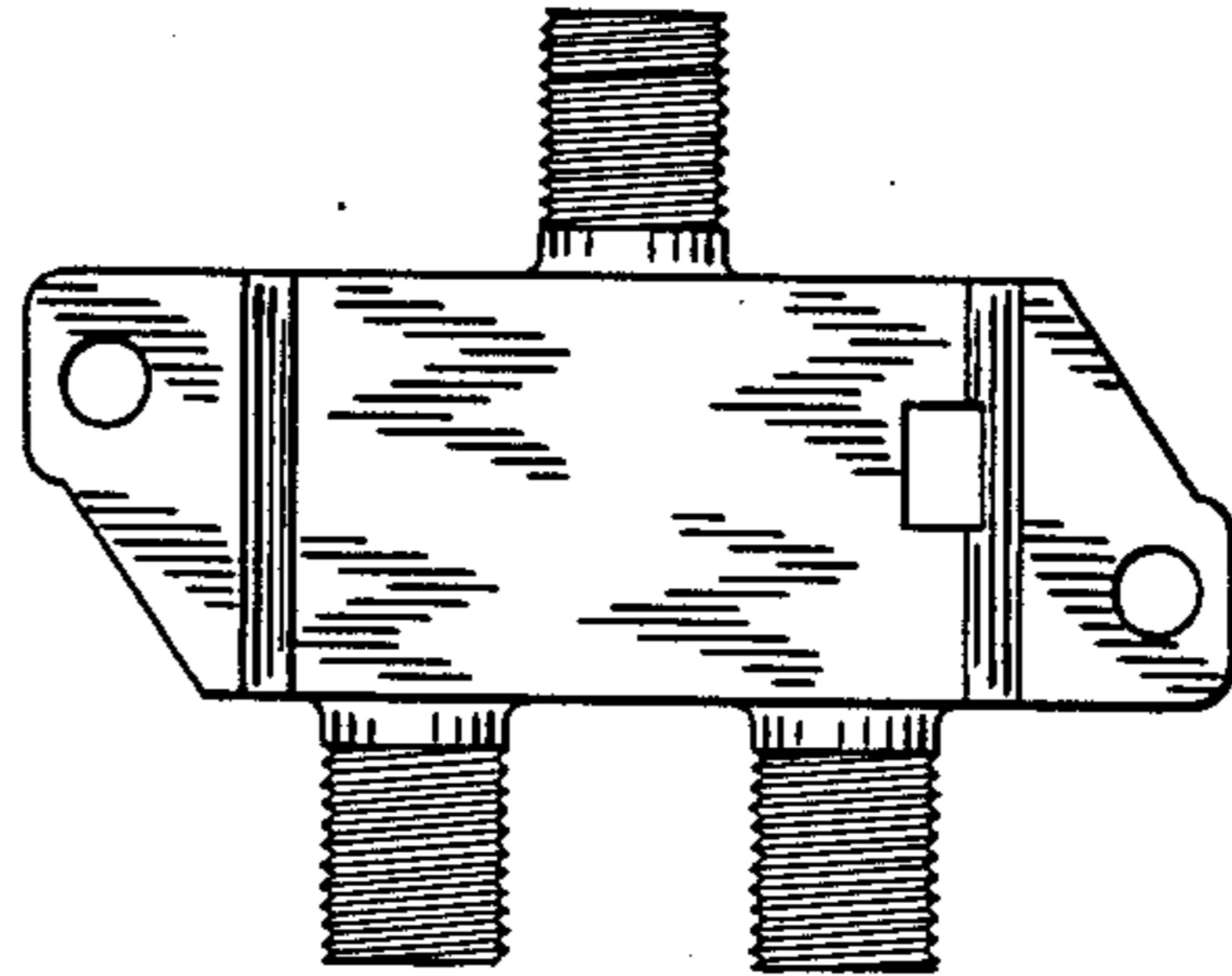


FIG. 6

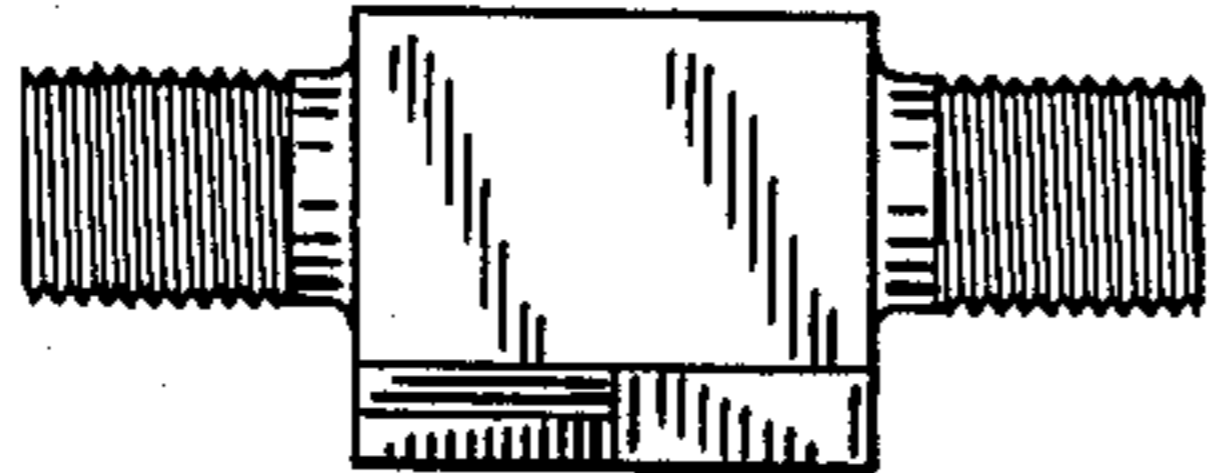


FIG. 7

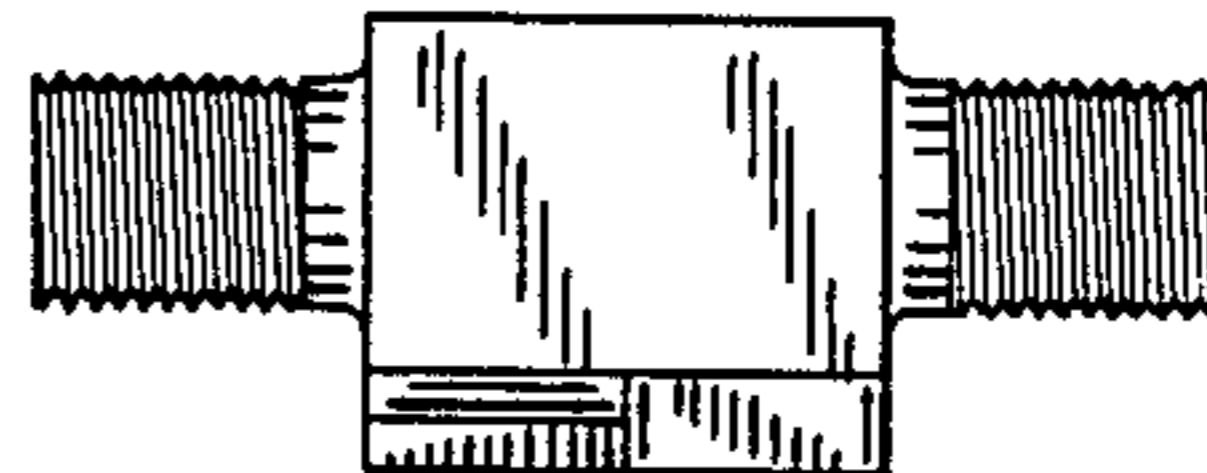


FIG. 8

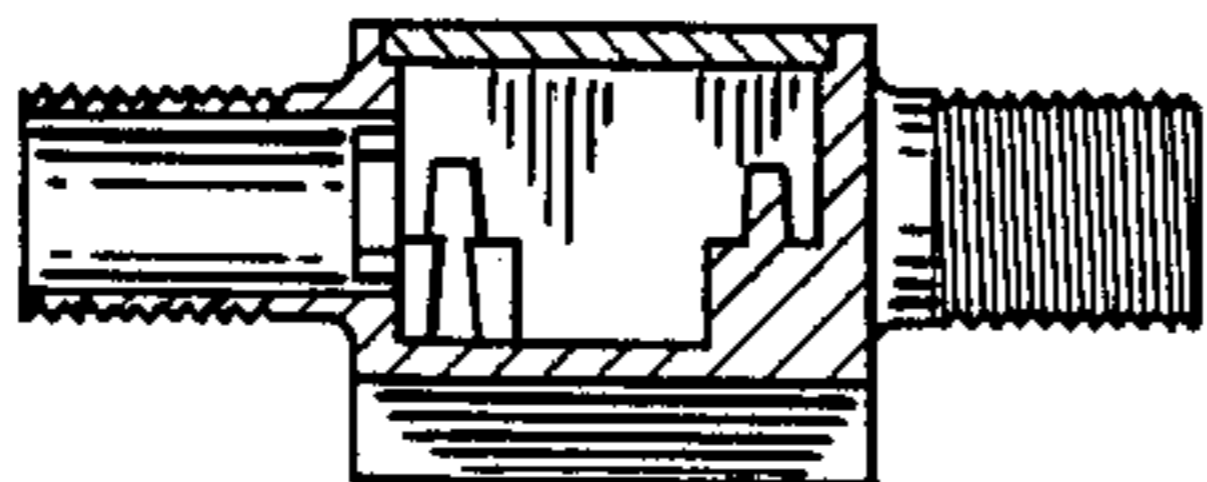


FIG. 10

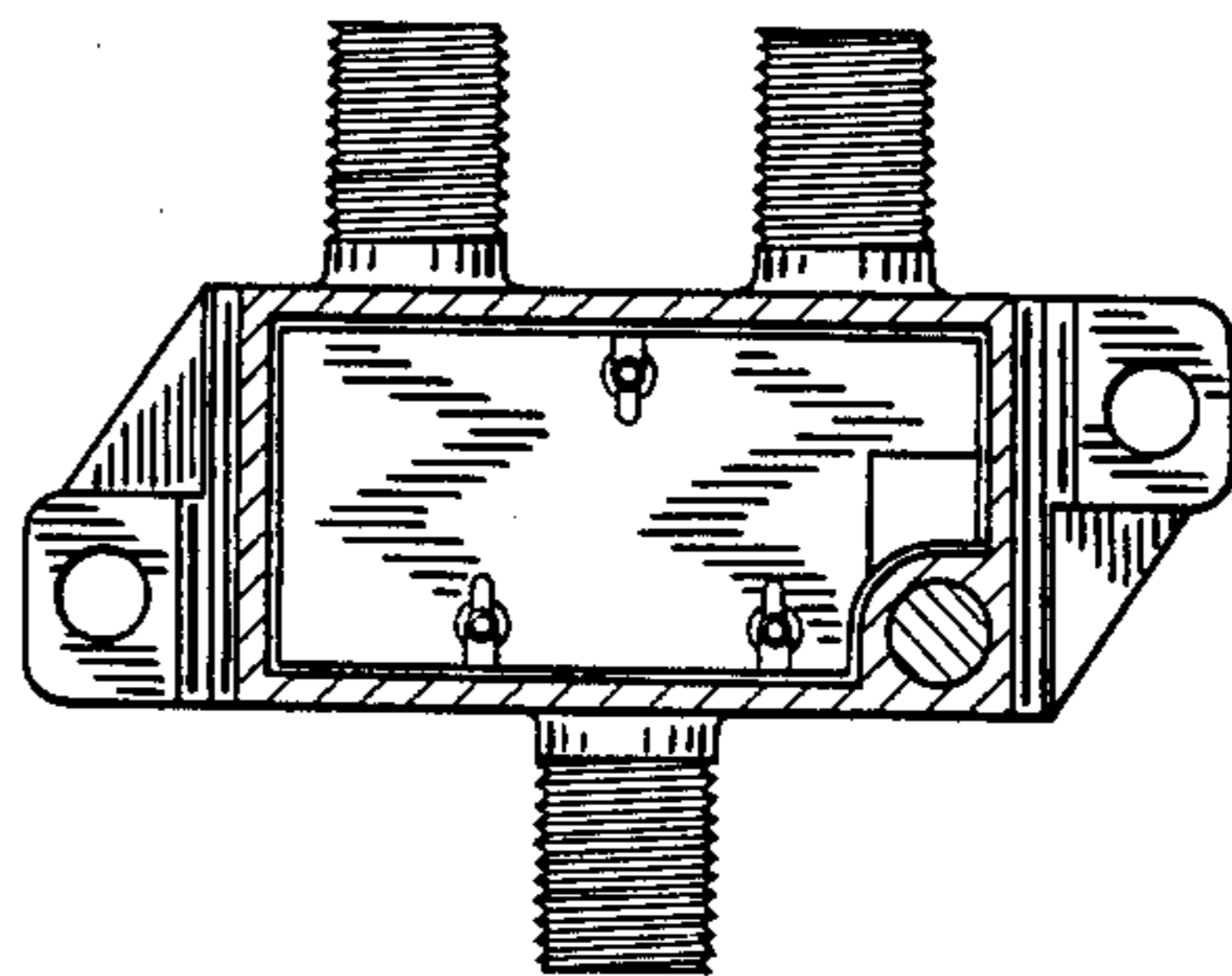


FIG. 9

