

[54] SEALER

[75] Inventor: Kendo Makihara, Osaka, Japan

[73] Assignee: Sharp Corporation, Osaka, Japan

[\*\*] Term: 14 Years

[21] Appl. No.: 912,349

[22] Filed: Sep. 26, 1986

[30] Foreign Application Priority Data

Mar. 28, 1986 [JP] Japan ..... 61-11512

[52] U.S. Cl. .... D15/146

[58] Field of Search ..... D15/145, 146;  
156/583.2, 583.8, 583.9

[56] References Cited

U.S. PATENT DOCUMENTS

D. 215,568	10/1969	Kellogg	.....	D15/146
D. 233,066	10/1974	Bair	.....	D15/146
D. 249,526	9/1978	Kishida	.....	D15/146
3,092,018	6/1963	Turner	.....	156/583.9
3,764,434	10/1973	Bridenstine	.....	156/583.9
4,093,500	6/1978	Browne	.....	156/583.9

Primary Examiner—B. J. Bullock

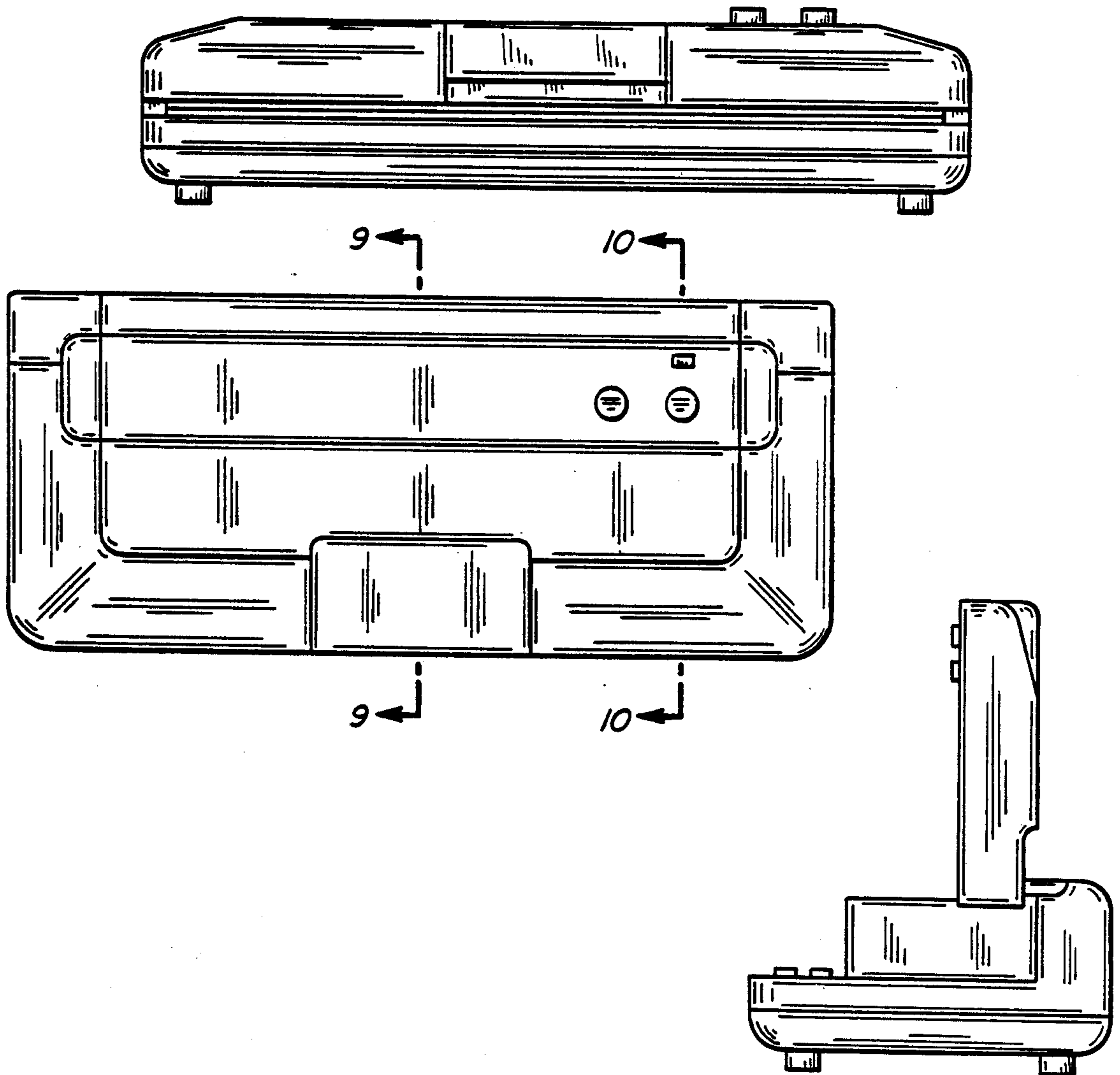
Attorney, Agent, or Firm—Flehr, Hohbach, Test, Albritton & Herbert

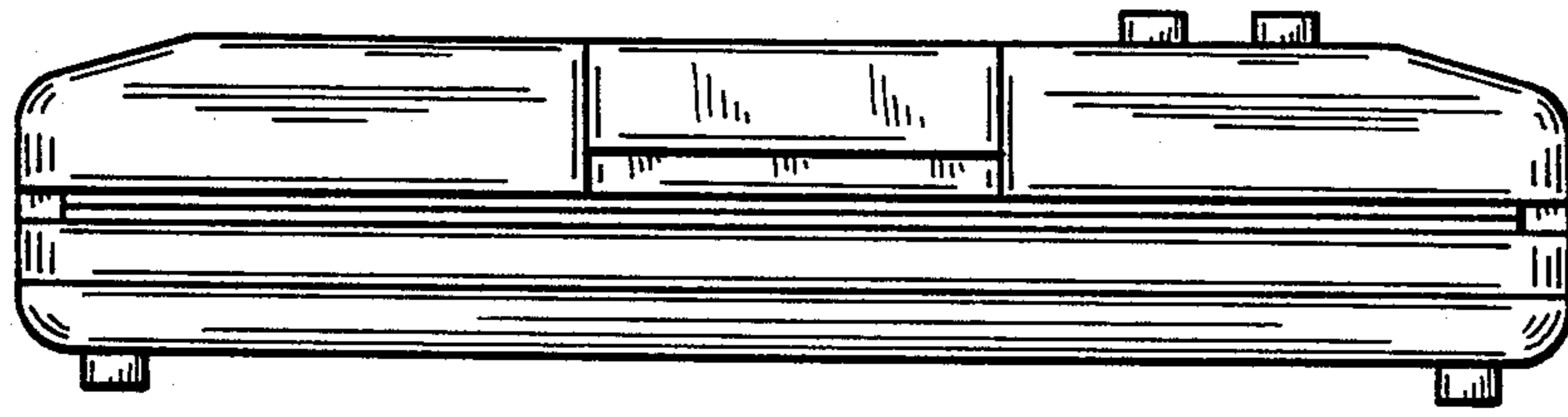
[57] CLAIM

The ornamental design for a sealer, as shown and described.

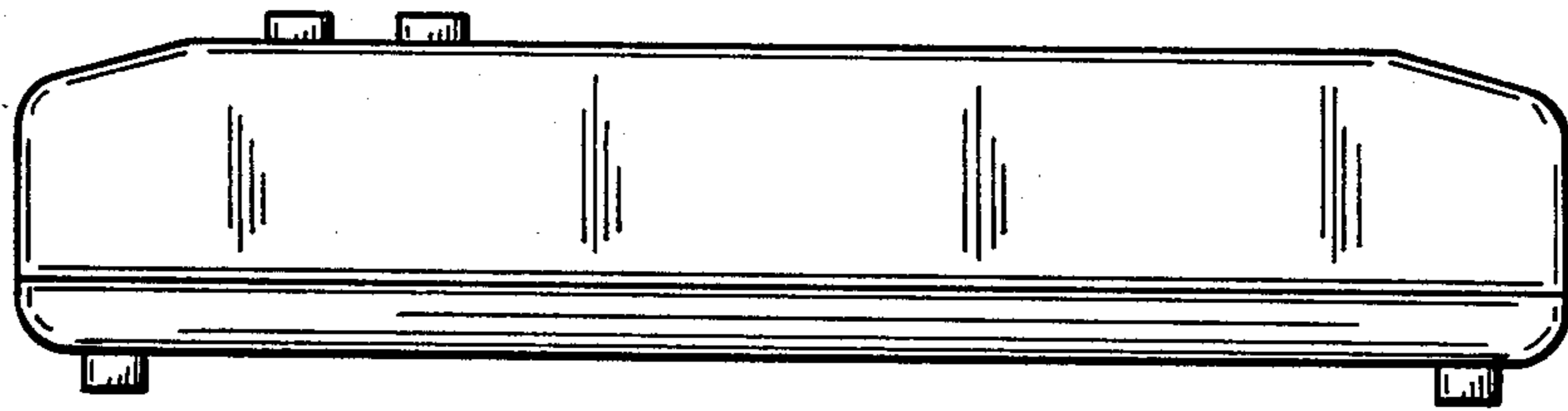
DESCRIPTION

FIG. 1 is a front elevational view of the sealer showing my new design;  
 FIG. 2 is a rear elevational view thereof;  
 FIG. 3 is a top plan view thereof;  
 FIG. 4 is a bottom plan view thereof;  
 FIG. 5 is a front elevational view thereof with the cover open;  
 FIG. 6 is a top plan view thereof with the cover open;  
 FIG. 7 is a left side elevational view, the right side elevational view being a mirror image thereof;  
 FIG. 8 is a right side elevational view thereof with the cover open, the left side elevational view being a mirror image thereof;  
 FIG. 9 is an enlarged sectional view taken in the direction of the arrows on line 9—9 of FIG. 3;  
 FIG. 10 is an enlarged sectional view taken in the direction of the arrows on line 10—10 of FIG. 3.

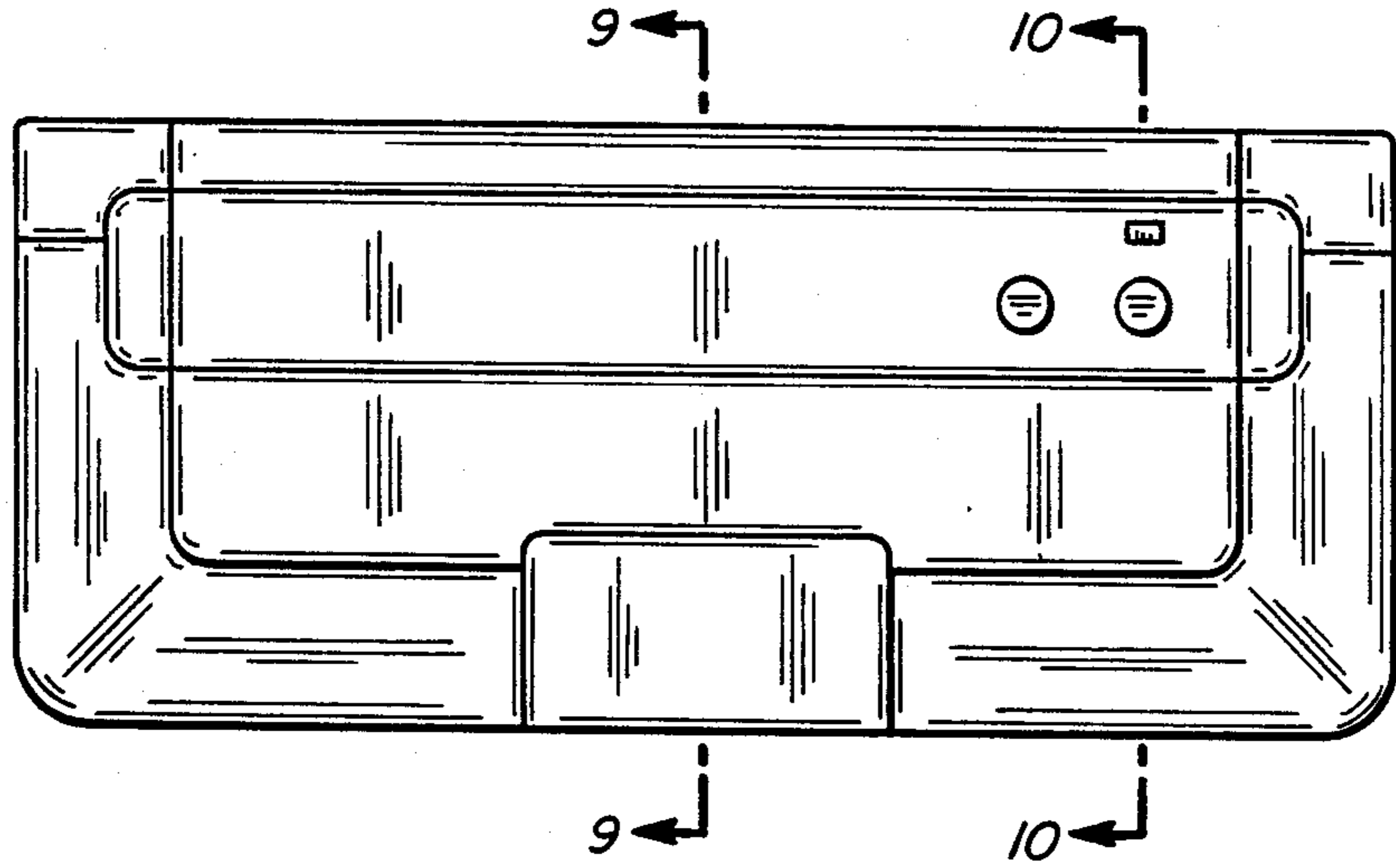




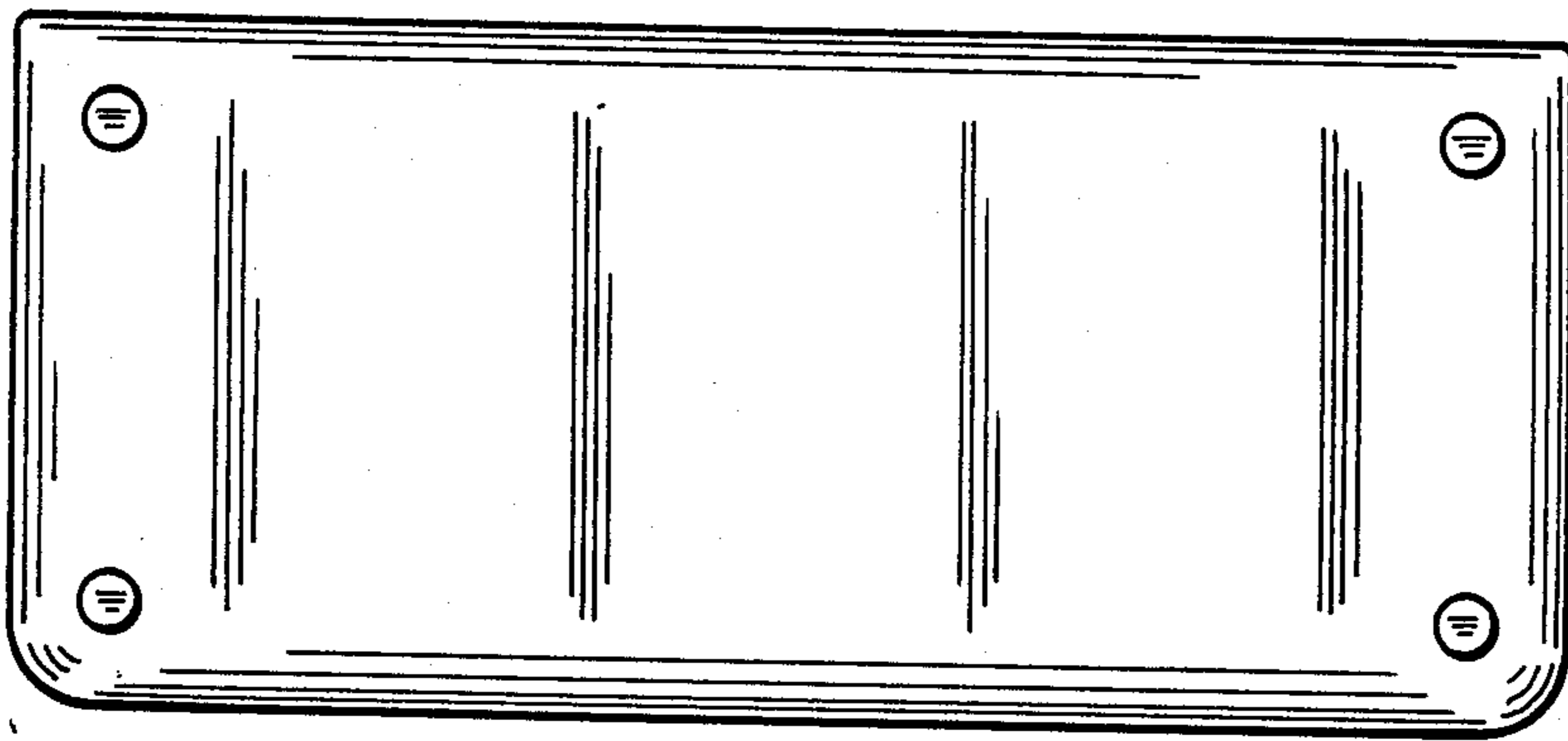
FIG\_1



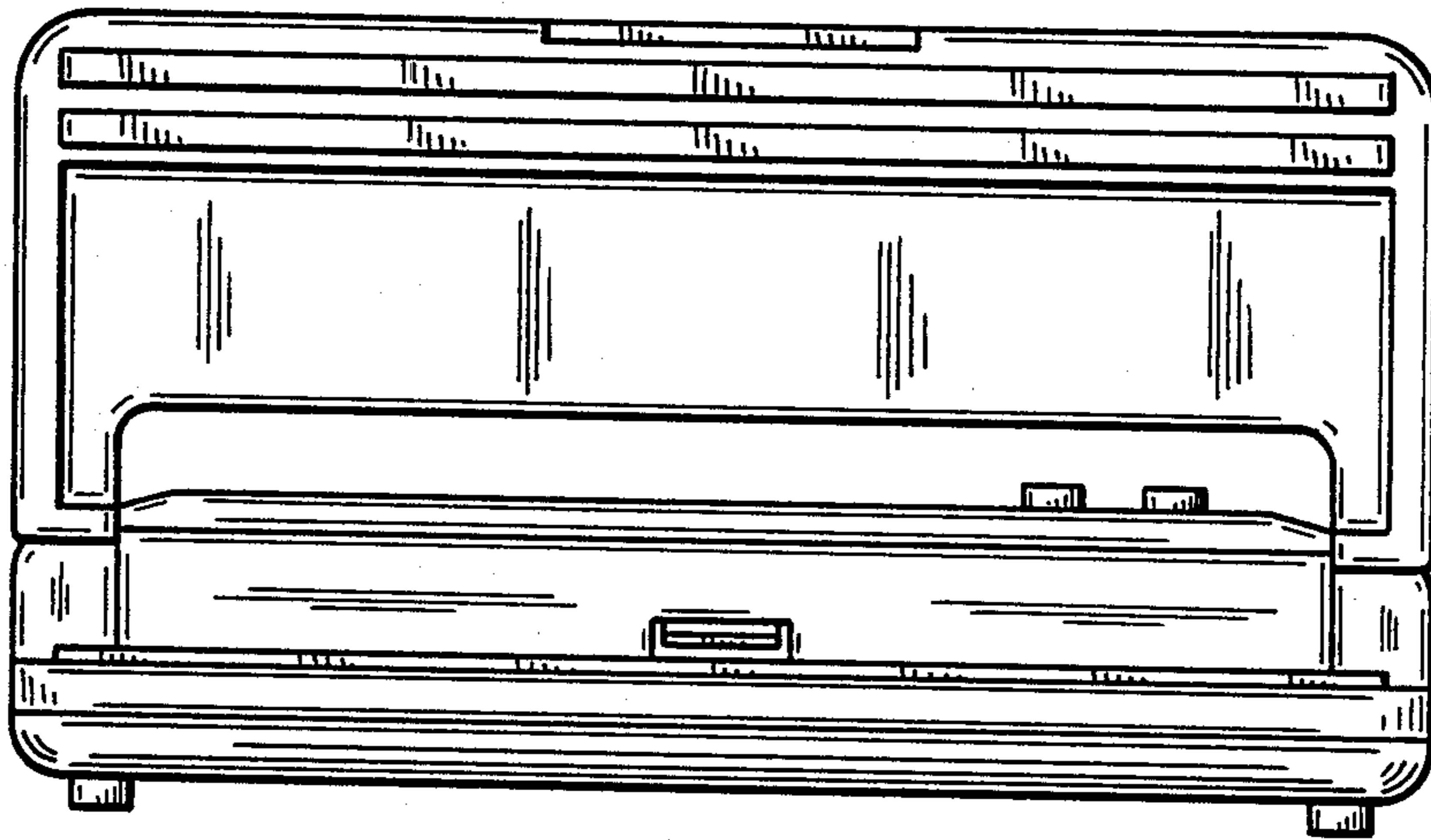
FIG\_2



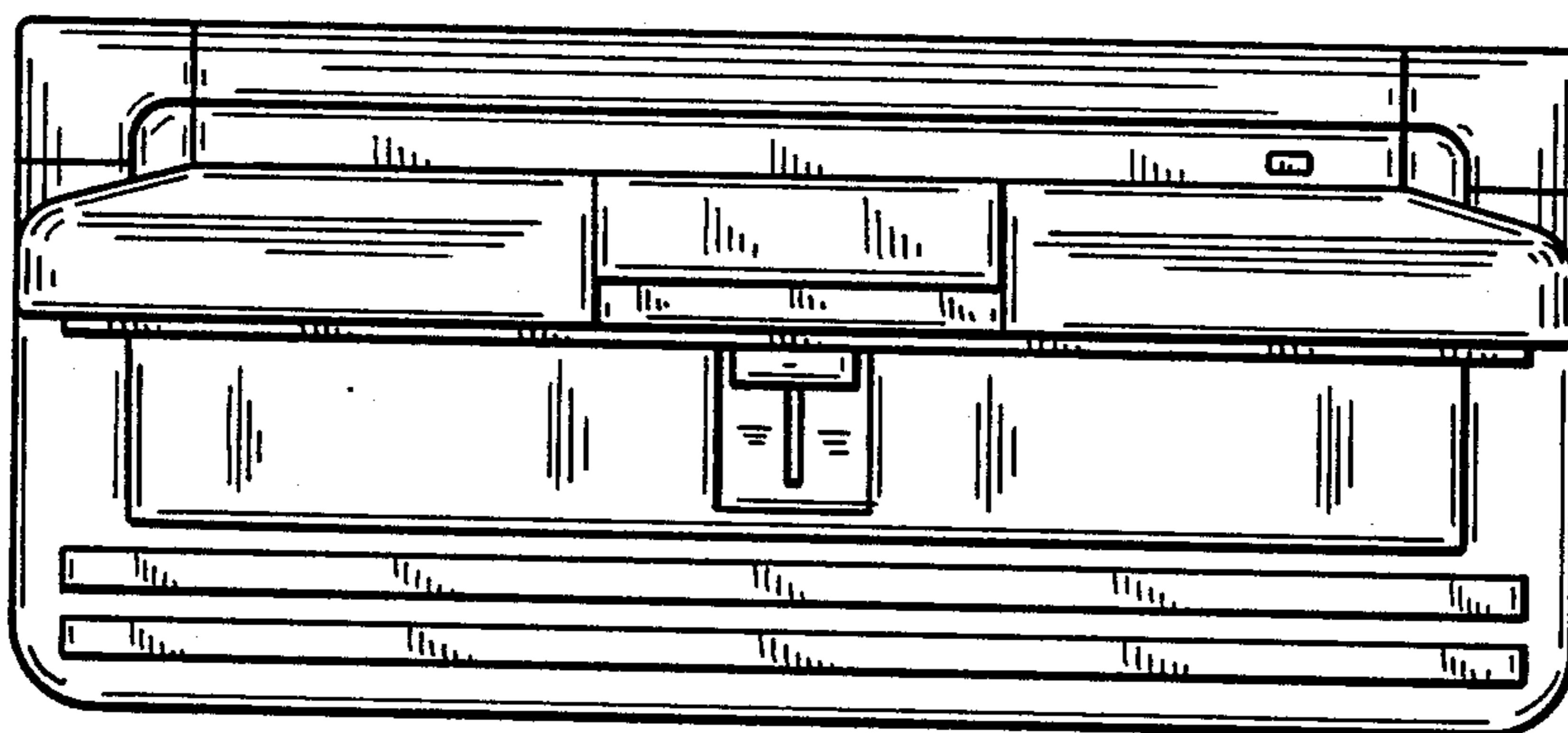
FIG\_3



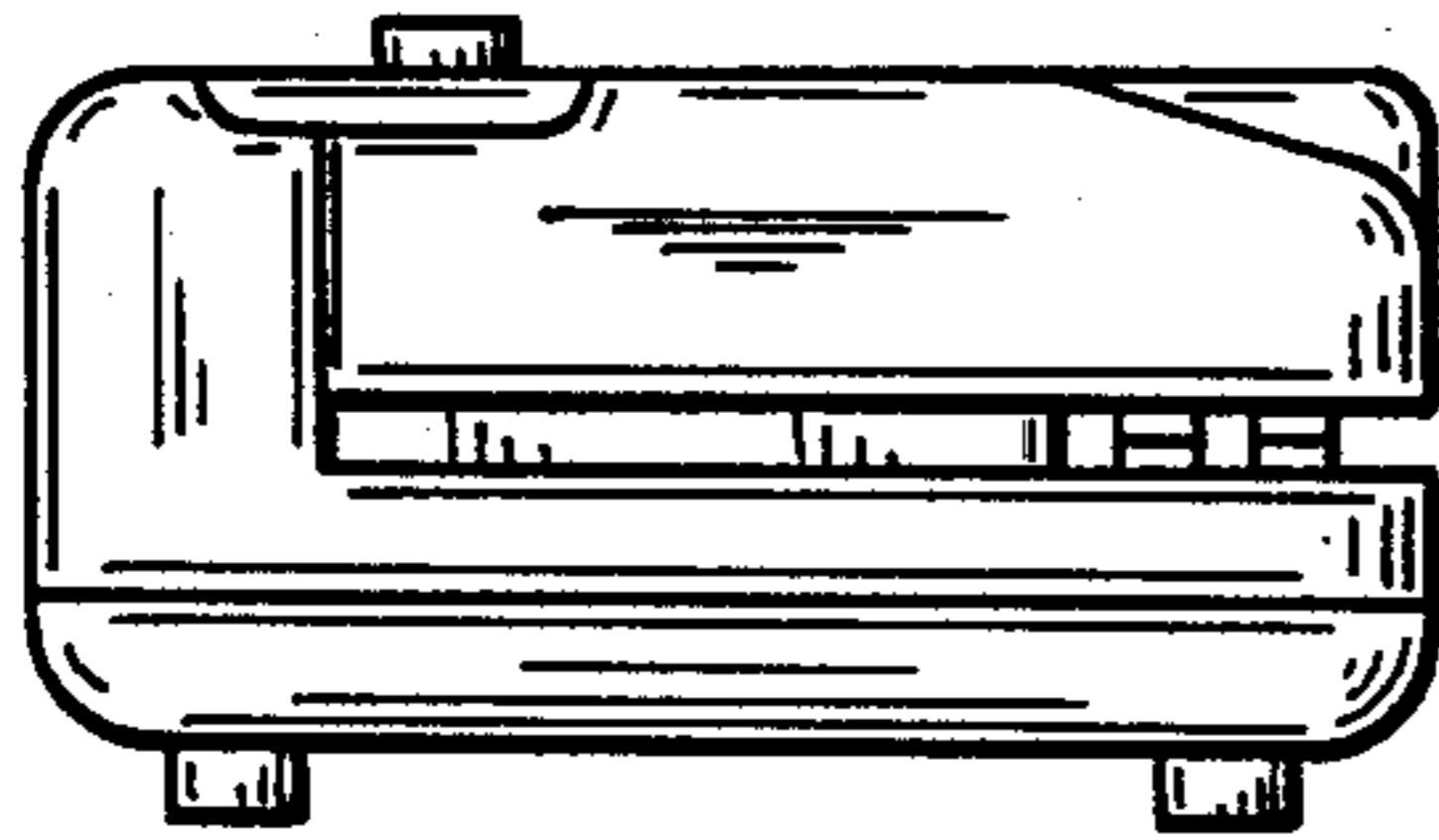
FIG\_4



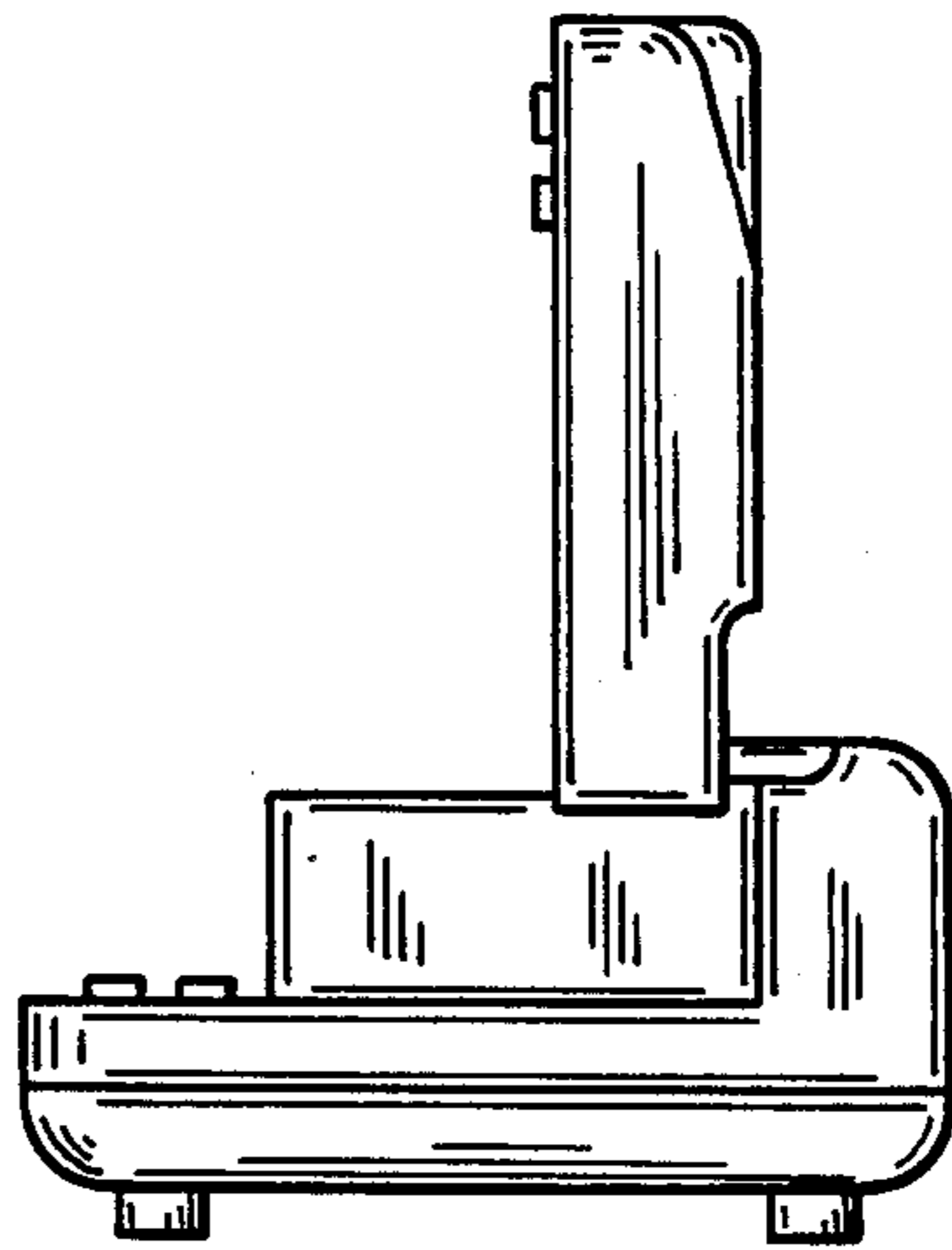
FIG\_5



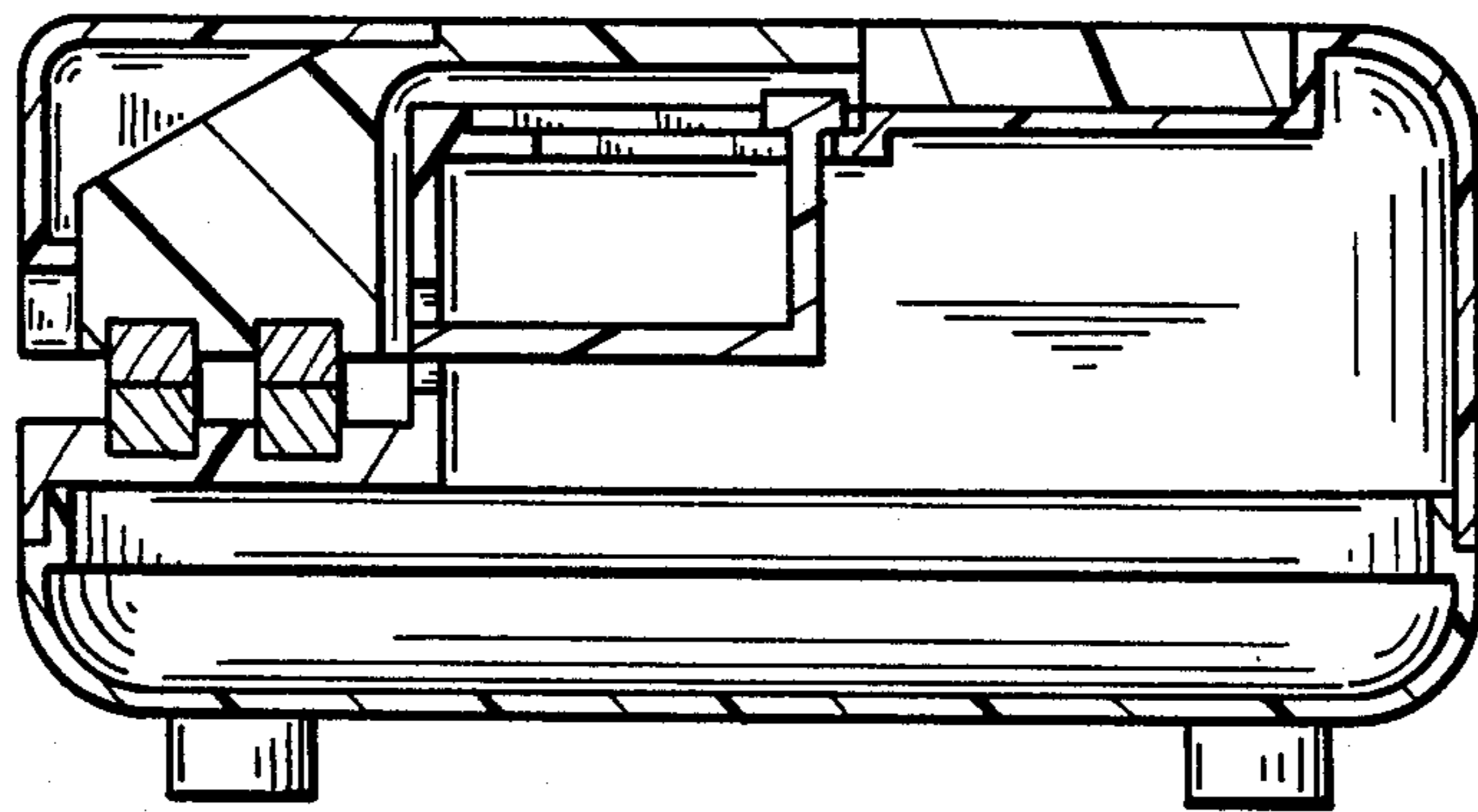
FIG\_6



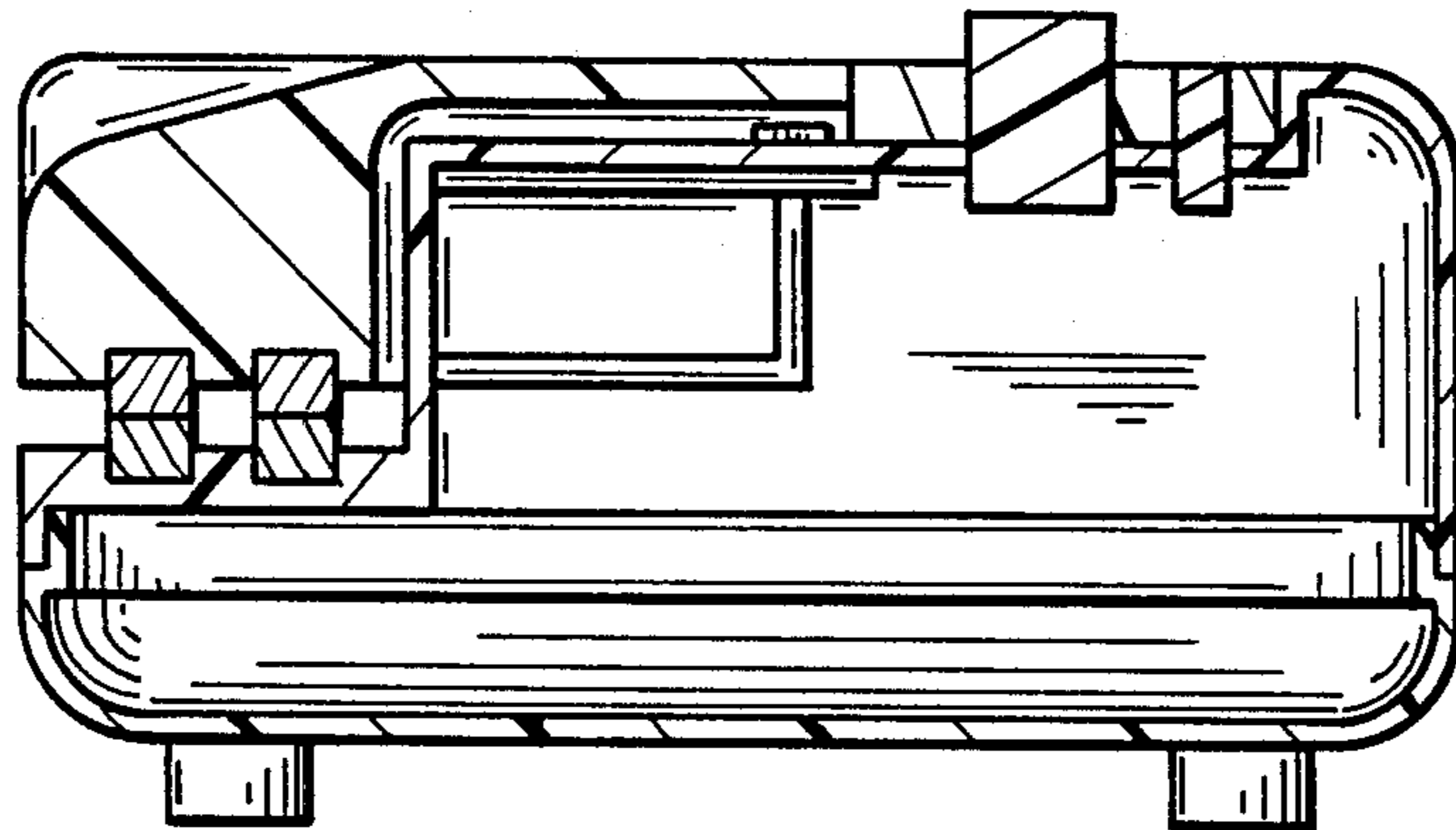
*FIG\_7*



*FIG\_8*



*FIG\_9*



*FIG\_10*