

[54] HANDSET TELEPHONE

[75] Inventor: Takei Yoshiharu, Shatin, Hong Kong

[73] Assignee: Tasca International Ltd., Kowloon, Hong Kong

[\*\*] Term: 14 Years

[21] Appl. No.: 57,815

[22] Filed: Jun. 1, 1987

[30] Foreign Application Priority Data

Feb. 4, 1987 [GB] United Kingdom ..... 1039742

[52] U.S. Cl. .... D14/147; D28/13

[58] Field of Search ..... D14/64, 53; 379/440, 379/434, 433, 428, 436; D28/13; D23/332

[56] References Cited

U.S. PATENT DOCUMENTS

- D. 194,538 2/1963 Brown ..... D14/64
- D. 253,253 10/1979 Rakocy ..... D28/13
- D. 282,735 2/1986 Tizzard ..... D14/53
- D. 282,738 2/1986 Nichols ..... D14/64 X
- D. 282,744 2/1986 Huang ..... D14/64 X
- D. 285,438 9/1986 Chen ..... D14/53
- D. 286,877 11/1986 Powell ..... D14/64
- D. 287,574 1/1987 Nakane ..... D10/33
- D. 290,118 6/1987 Kaufman ..... D14/53
- D. 291,437 8/1987 Lee ..... D14/53
- D. 291,569 8/1987 Sun ..... D14/64

- D. 293,020 12/1987 Steinel et al. .... D23/332
- D. 294,873 3/1988 Ogawa ..... D28/13
- D. 296,070 6/1988 Cunningham ..... D28/13

Primary Examiner—Horace B. Fay, Jr.  
Attorney, Agent, or Firm—Wolf, Greenfield & Sacks

[57] CLAIM

The ornamental design for a handset telephone, as shown and described.

DESCRIPTION

FIG. 1 is a right side elevational view of a handset telephone showing my new design in folded, non-operative position;

FIGS. 2 and 3 are respectively bottom and top plan views thereof;

FIG. 4 is a left side elevational view thereof;

FIGS. 5 and 6 are respectively front and rear elevational views thereof;

FIG. 7 is a front and right side perspective view thereof;

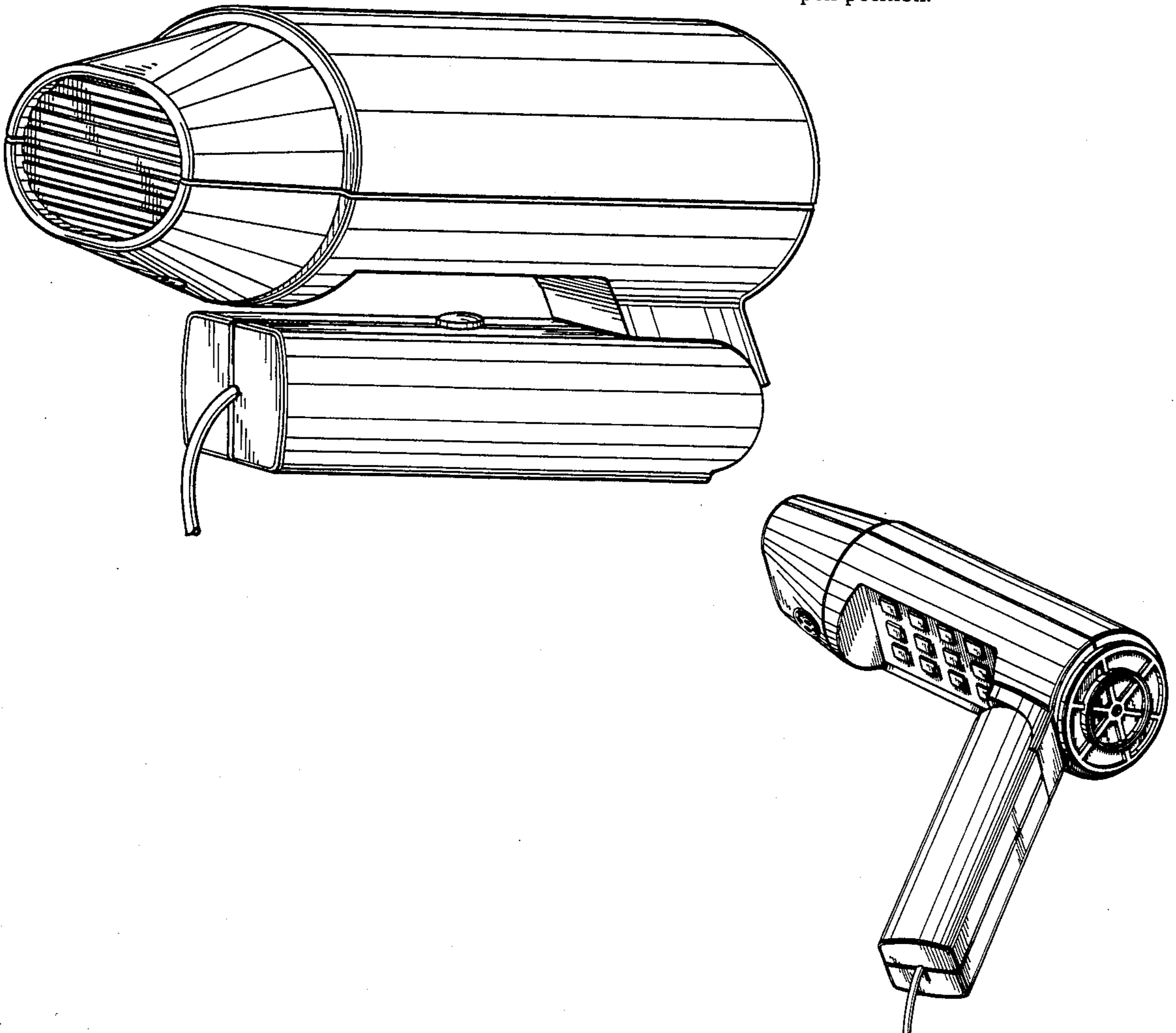
FIG. 8 is a right side elevational view thereof in open, operative position;

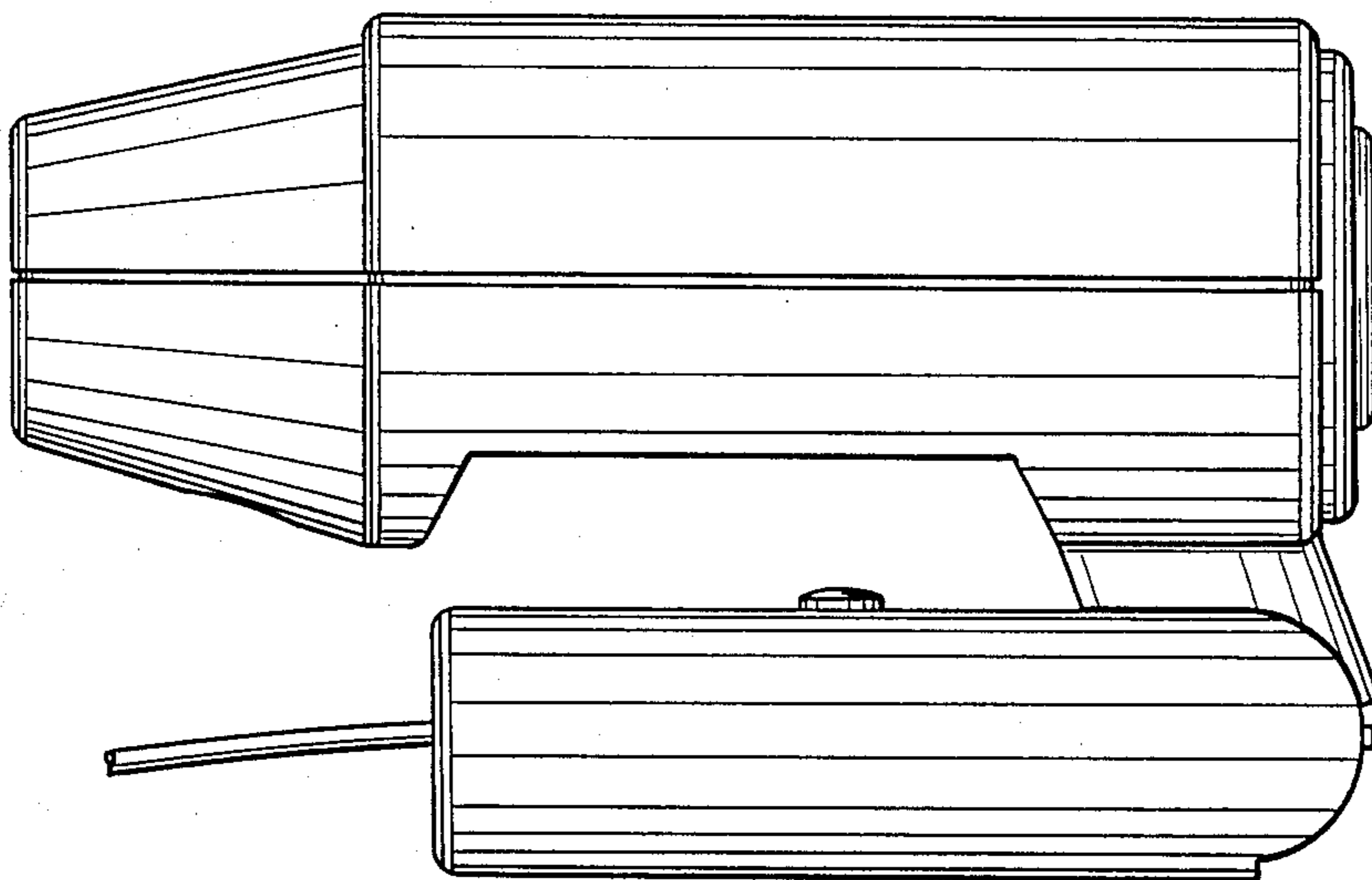
FIGS. 9 and 10 are respectively bottom and top plan views thereof in open position;

FIG. 11 is a left side elevational view thereof in open position;

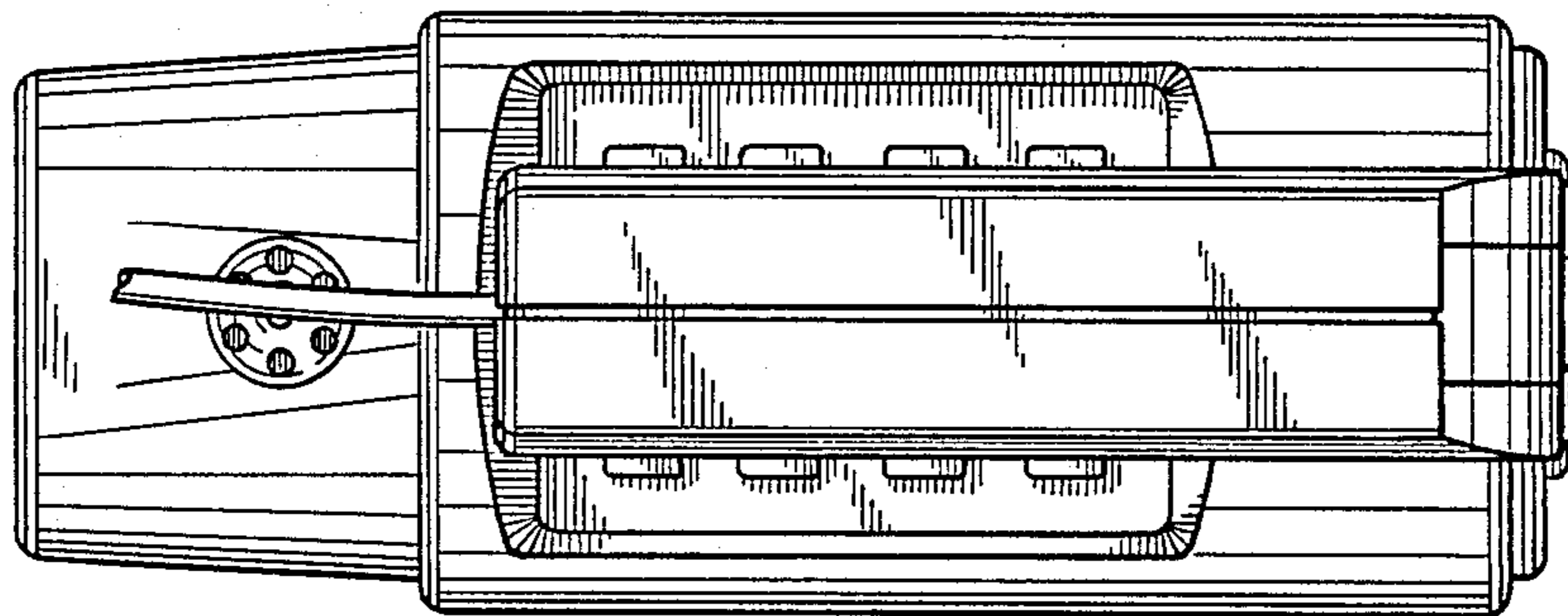
FIGS. 12 and 13 are respectively front and rear elevational views thereof in open position; and,

FIG. 14 is a bottom, right side and rear perspective view thereof in open position.

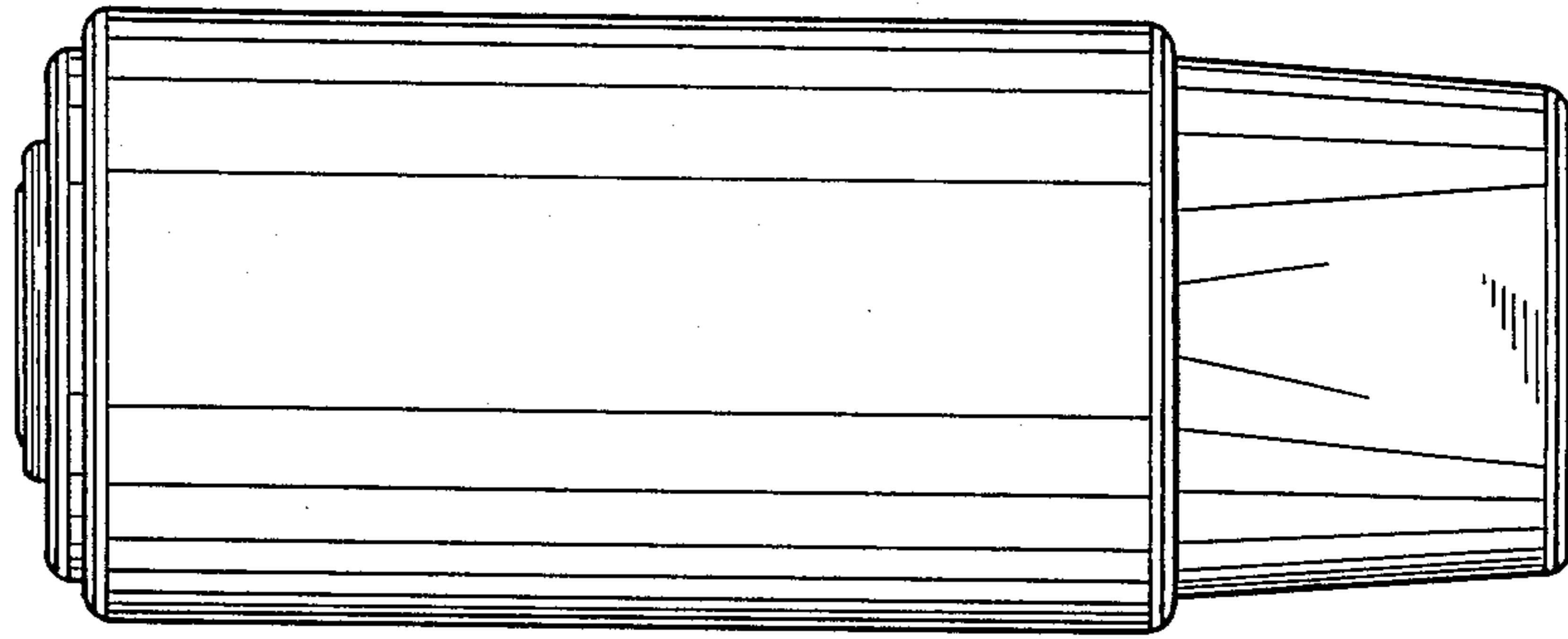




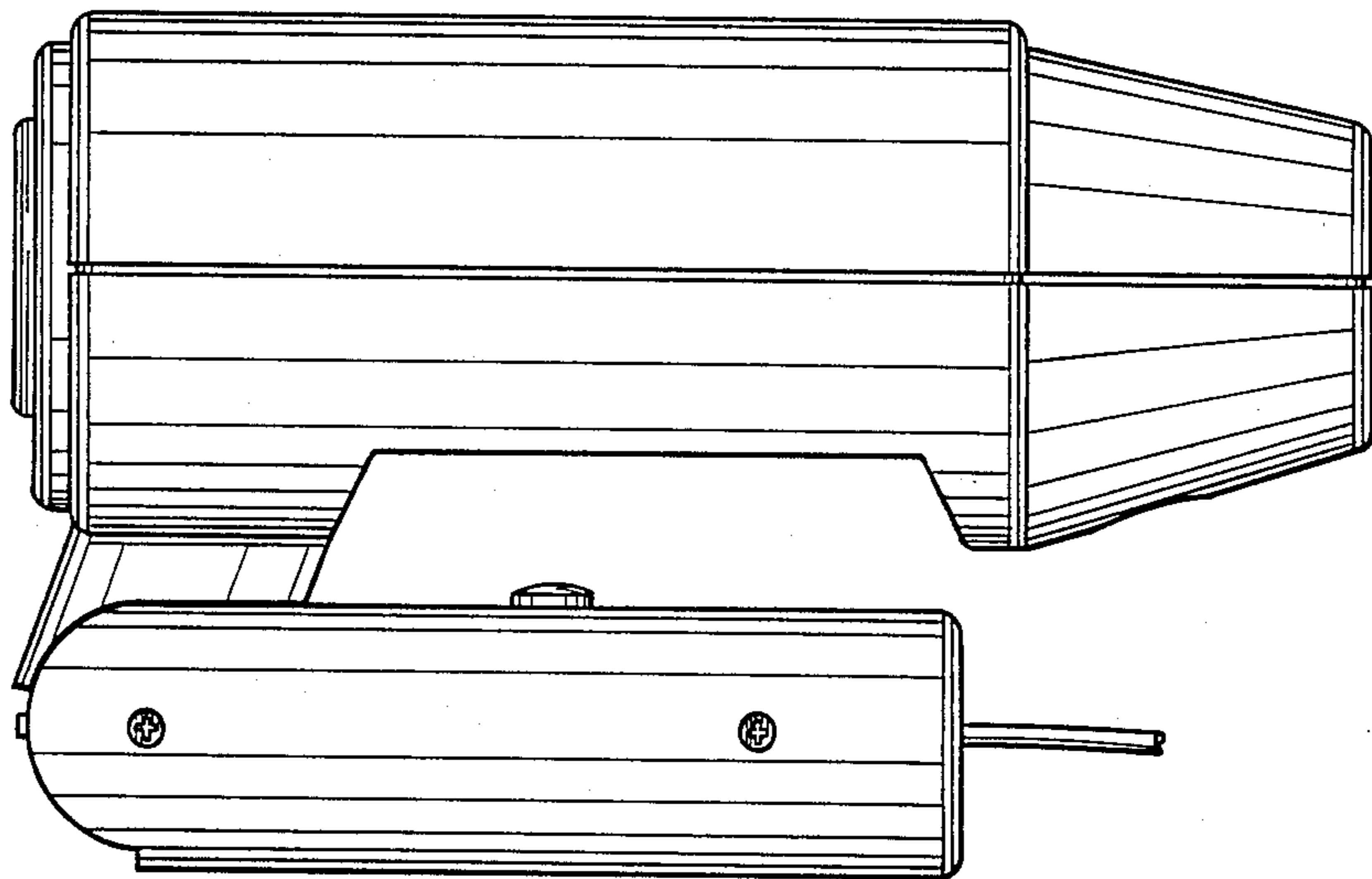
*Fig. 1*



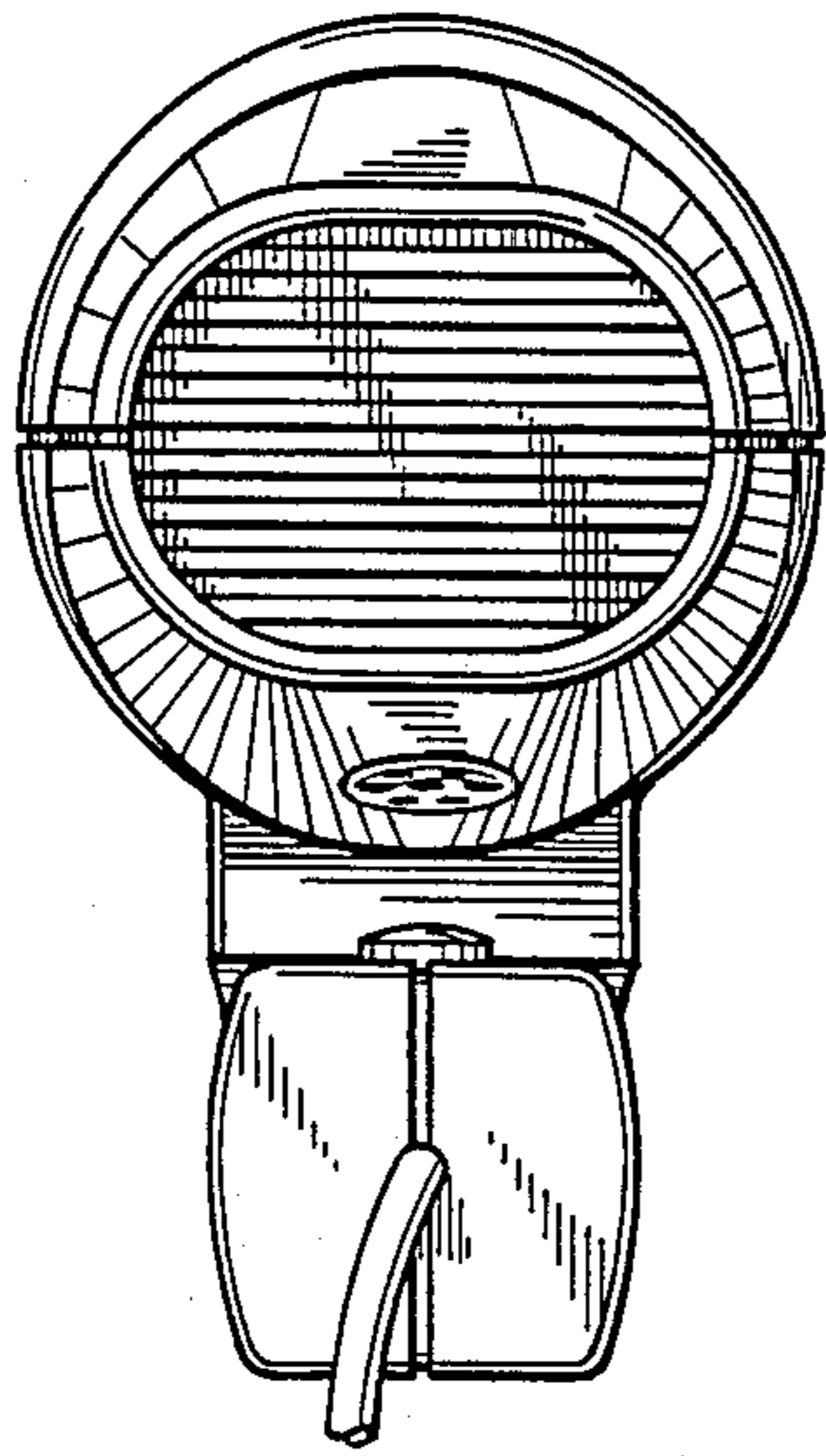
*Fig. 2*



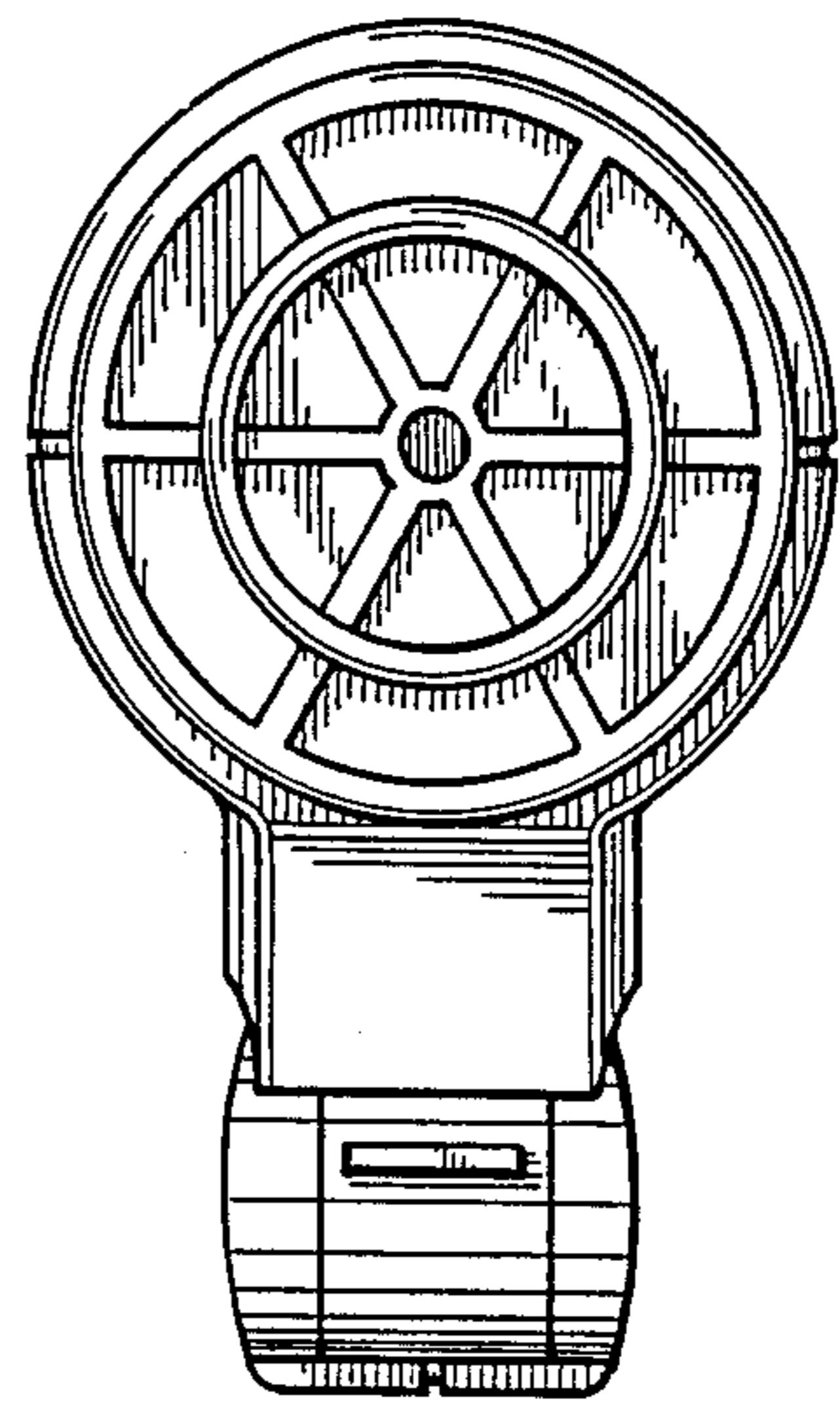
*Fig. 3*



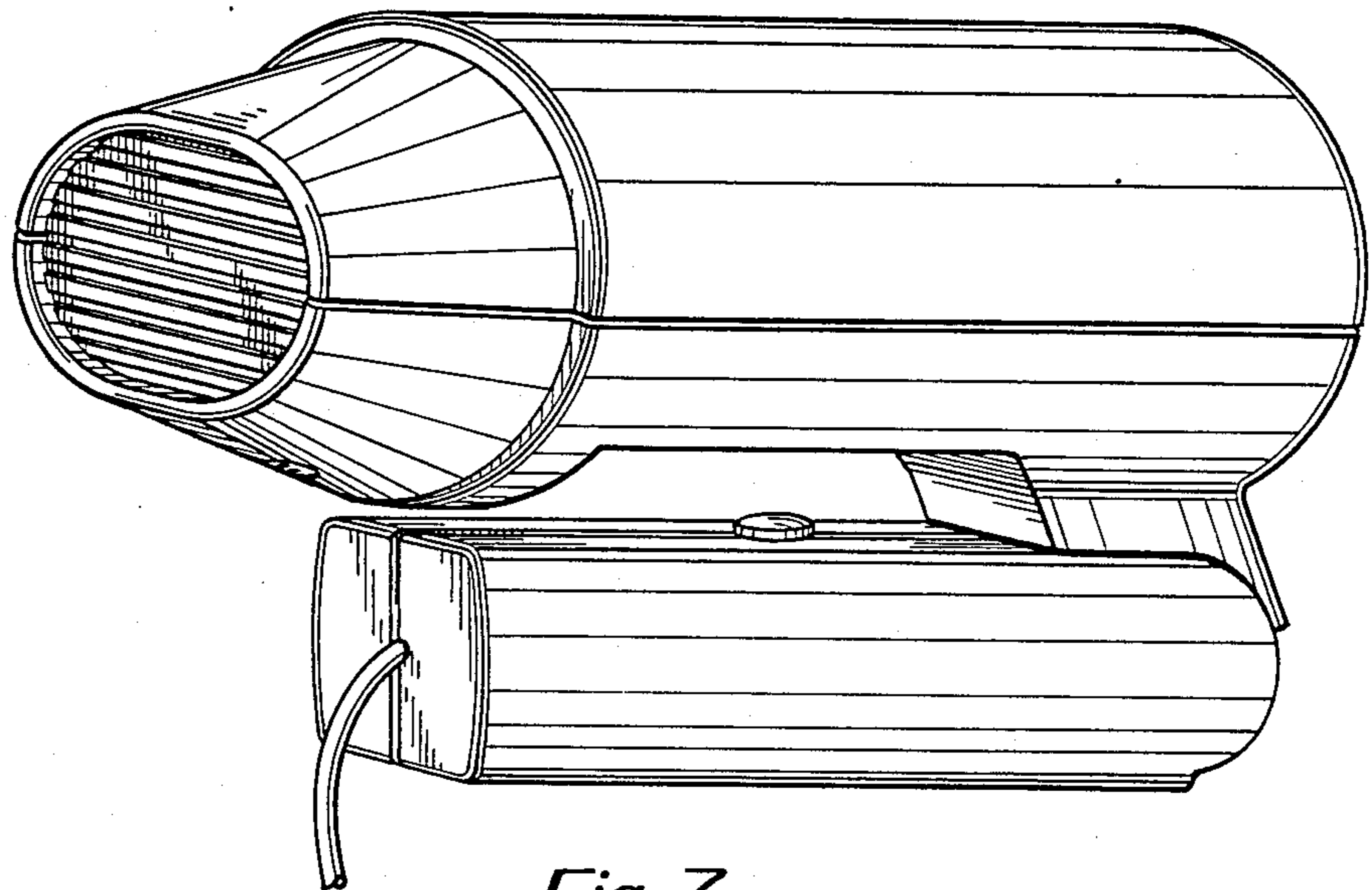
*Fig. 4*



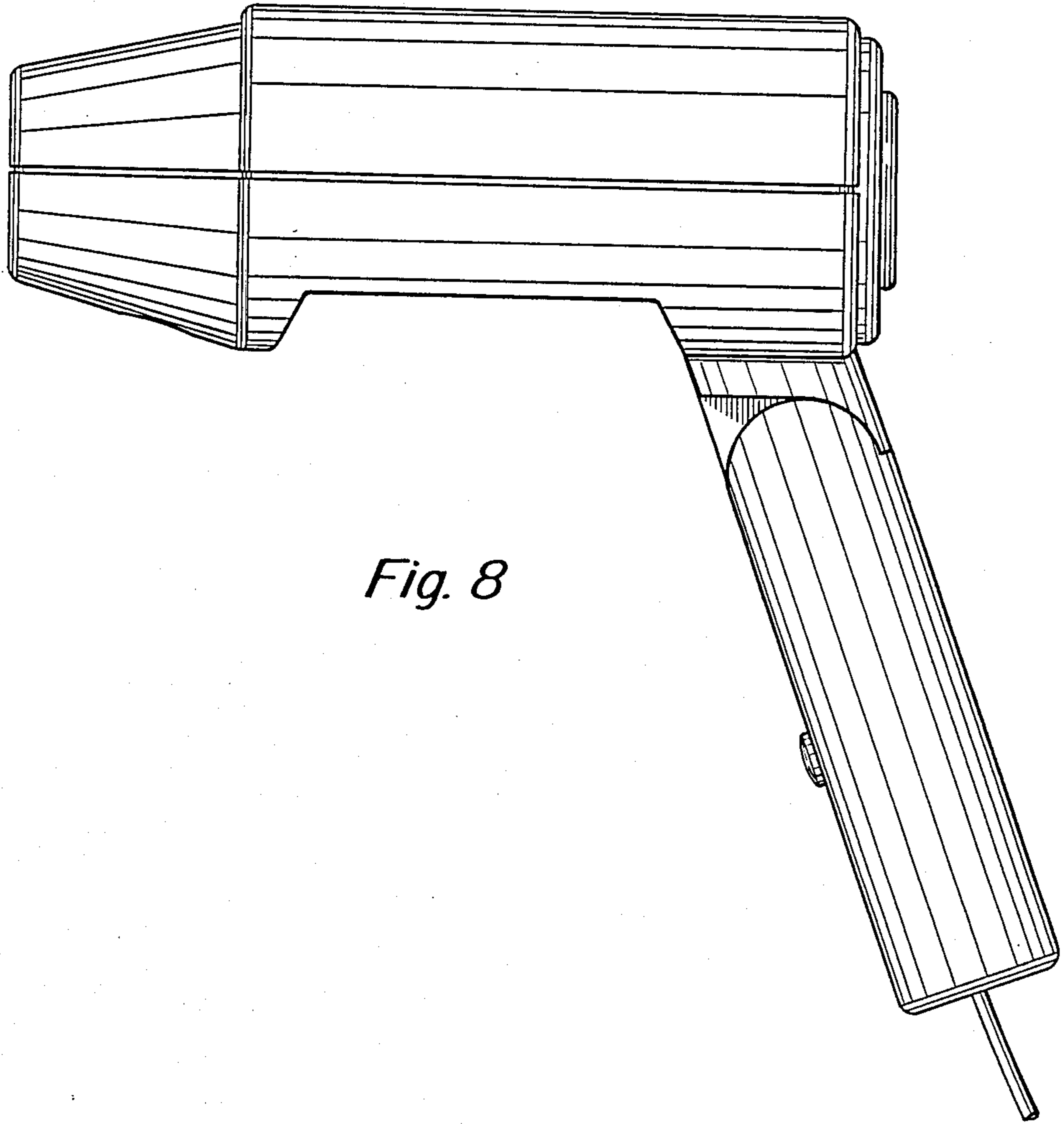
*Fig. 5*



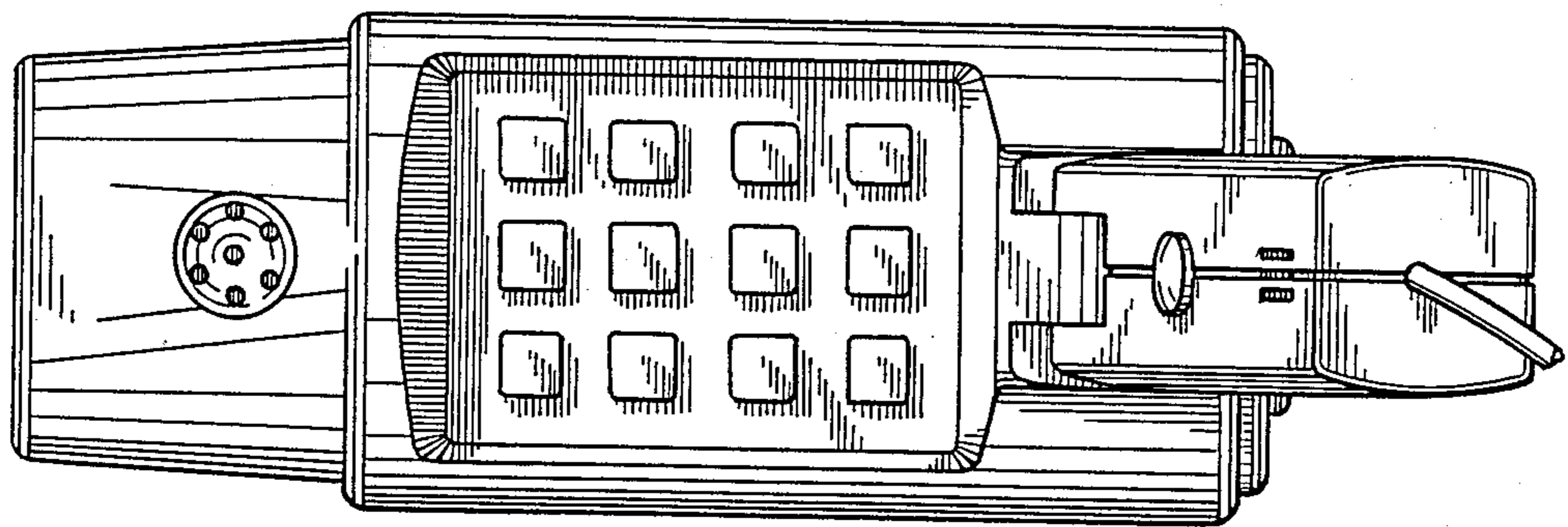
*Fig. 6*



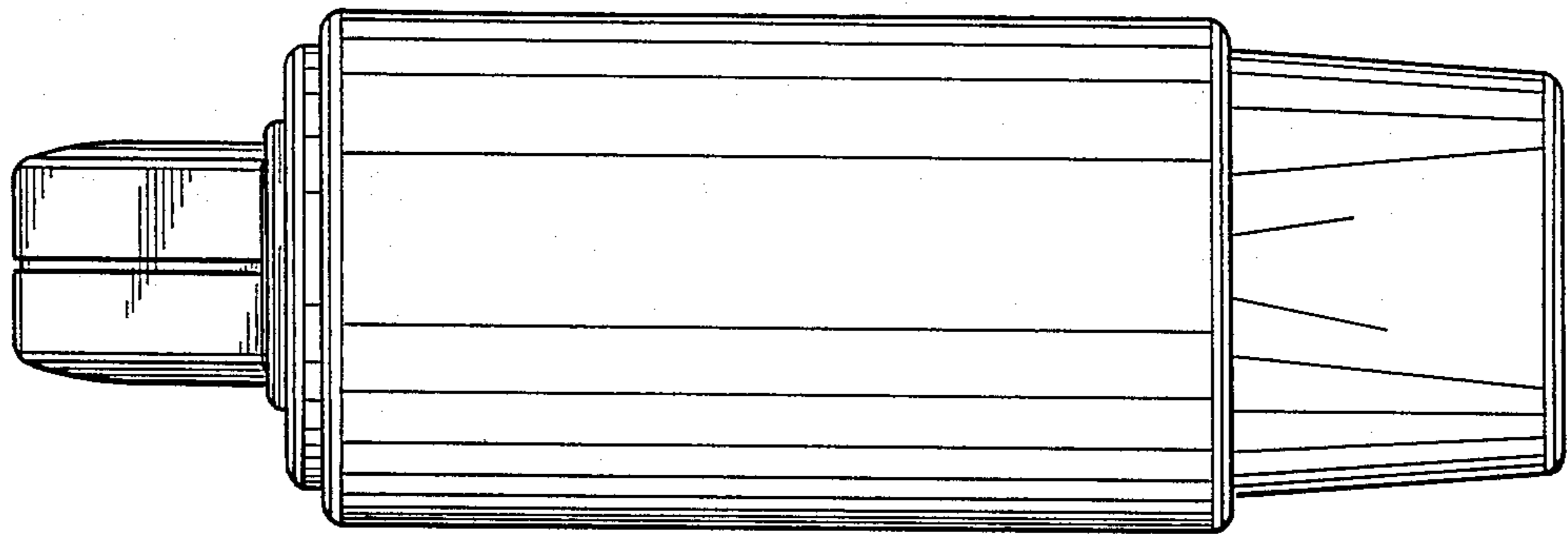
*Fig. 7*



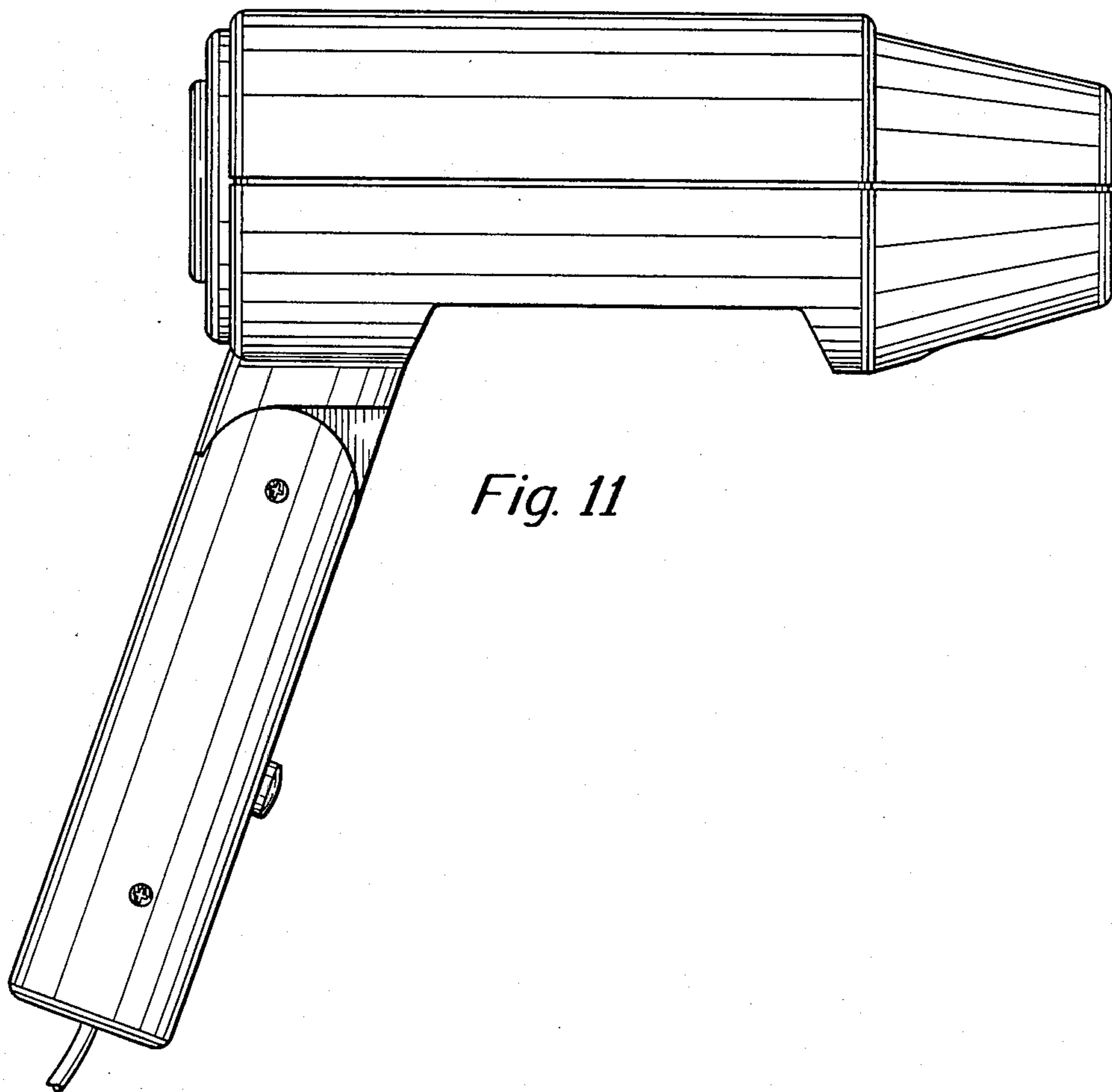
*Fig. 8*



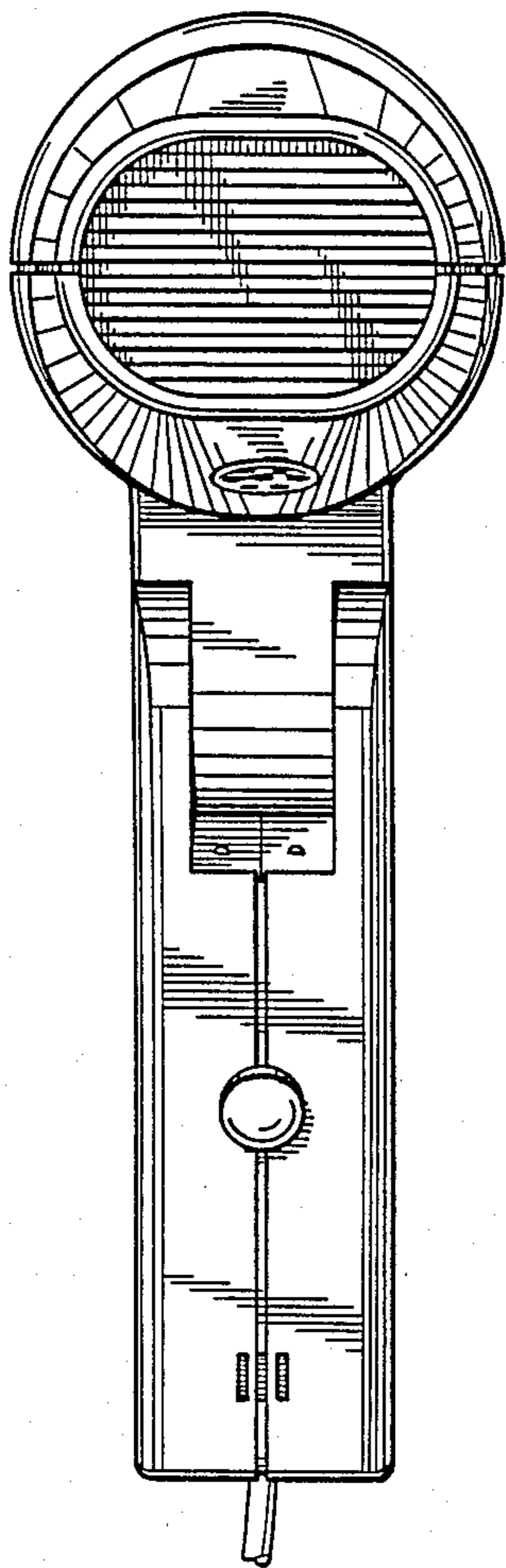
*Fig. 9*



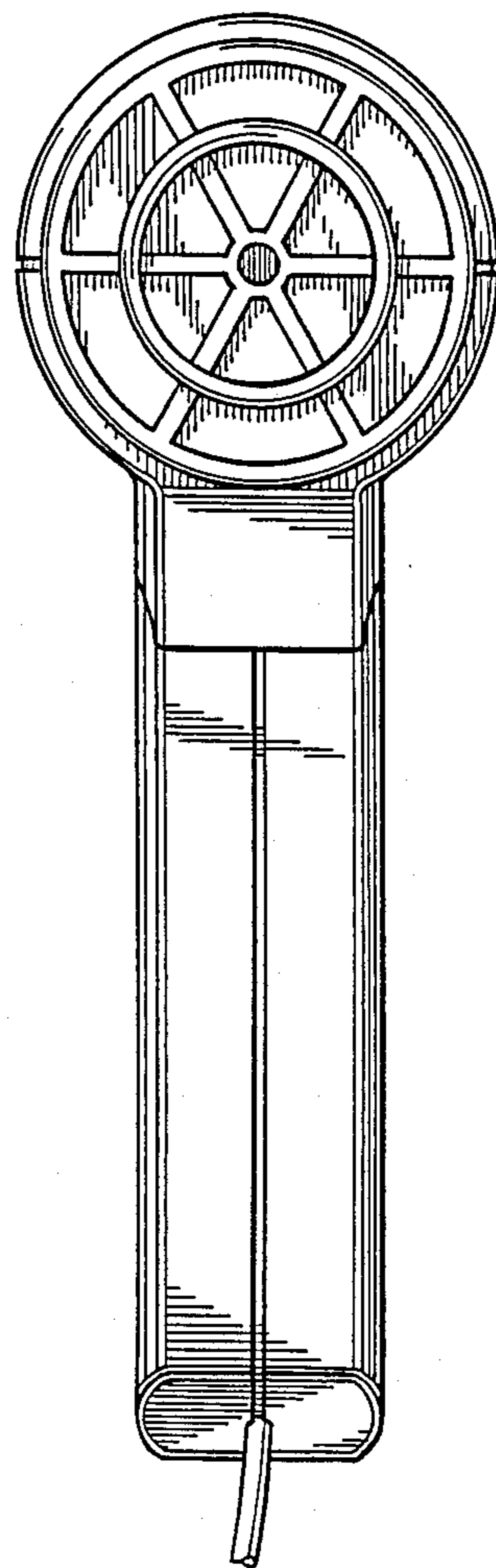
*Fig. 10*



*Fig. 11*



*Fig. 12*



*Fig. 13*

*Fig. 14*

