

[54] COMBINED DUMMY CONTROL UNIT HANDSET, WITH CORD AND PLUG, FOR A MOBILE RADIOTELEPHONE SET

[75] Inventor: Jorma Pitkonen, Turku, Finland

[73] Assignee: Mobira Oy, Salo, Finland

[\*\*] Term: 14 Years

[21] Appl. No.: 200,303

[22] Filed: May 31, 1988

D. 278,626	4/1985	Takagi et al. ....	D14/53
D. 281,681	12/1985	Kaufman .....	D13/28 X
D. 282,465	2/1986	Hurley et al. ....	D14/64 X
3,558,831	1/1971	Prescott et al. ....	179/100
4,153,822	5/1979	Ueda et al. ....	179/90 K X
4,268,721	5/1981	Nielson et al. ....	379/444
4,514,029	4/1985	Lax et al. ....	439/588
4,572,602	2/1986	Rupnik .....	439/544 X
4,722,022	1/1988	Myers et al. ....	439/544 X

FOREIGN PATENT DOCUMENTS

0161039	7/1986	Japan .....	379/61
---------	--------	-------------	--------

Related U.S. Application Data

[62] Division of Ser. No. 850,346, Apr. 4, 1986.

[30] Foreign Application Priority Data

Oct. 11, 1985 [FI] Finland ..... 771/85

[52] U.S. Cl. .... D14/138; D14/248

[58] Field of Search ..... D14/52, 53, 59, 60, D14/62, 63, 64, 66; 379/58, 59, 440, 433, 434, 419, 428; 455/89, 90

[56] References Cited

U.S. PATENT DOCUMENTS

D. 86,515	3/1932	Cox .....	D13/28
D. 152,315	1/1949	Barnhart .....	D13/28
D. 227,370	6/1973	Ely .....	D13/28
D. 243,244	2/1977	Creamer .....	D13/28
D. 245,417	8/1977	Kneller .....	D13/28
D. 252,752	8/1979	Hisao .....	D14/53
D. 257,035	9/1980	Ostrelich et al. ....	D13/28
D. 257,841	1/1981	Tada .....	D14/62 X
D. 263,704	4/1982	Fukushima et al. ....	D14/56 X
D. 264,465	5/1982	MacKenzie .....	D14/64 X
D. 272,344	1/1984	MacKenzie .....	D14/64 X

OTHER PUBLICATIONS

B. A. Pargh Co. Inc., ©1985 catalog: Plugs at bottom of p. 381.

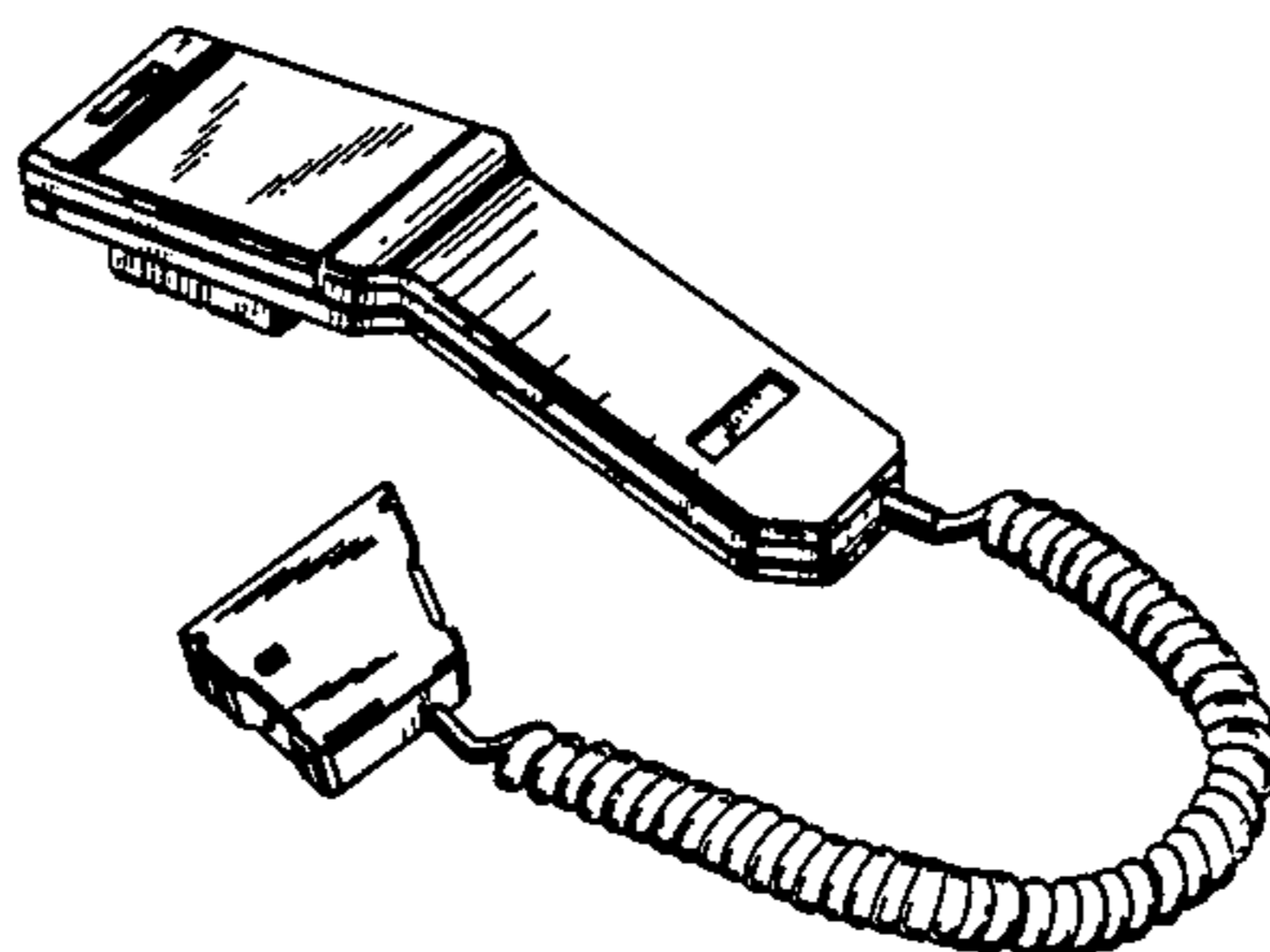
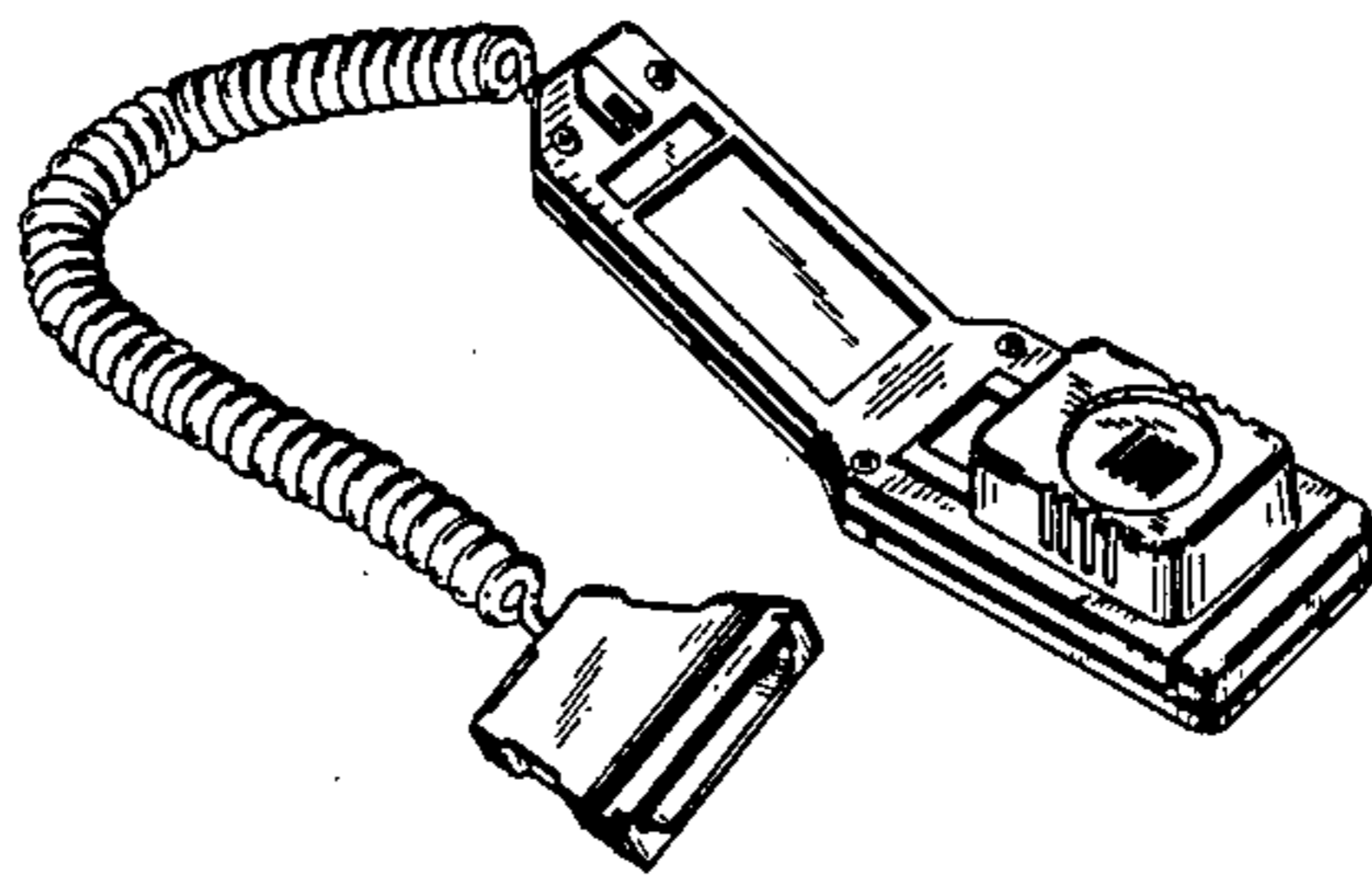
Primary Examiner—Horace B. Fay, Jr.  
Attorney, Agent, or Firm—Ladas & Parry

[57] CLAIM

The ornamental design for a combined dummy control unit handset, with cord and plug, for a mobile radiotelephone set, as shown and described.

DESCRIPTION

FIG. 1 is a left side, top and front perspective view of the dummy handset, and plug with cord, of a combined dummy control unit handset, with cord and plug, for a mobile radiotelephone set showing my new design; FIG. 2 is a left side, bottom and rear perspective view thereof; FIG. 3 is a front, top and right side perspective view thereof; and, FIG. 4 is a right side, bottom and front perspective view thereof.



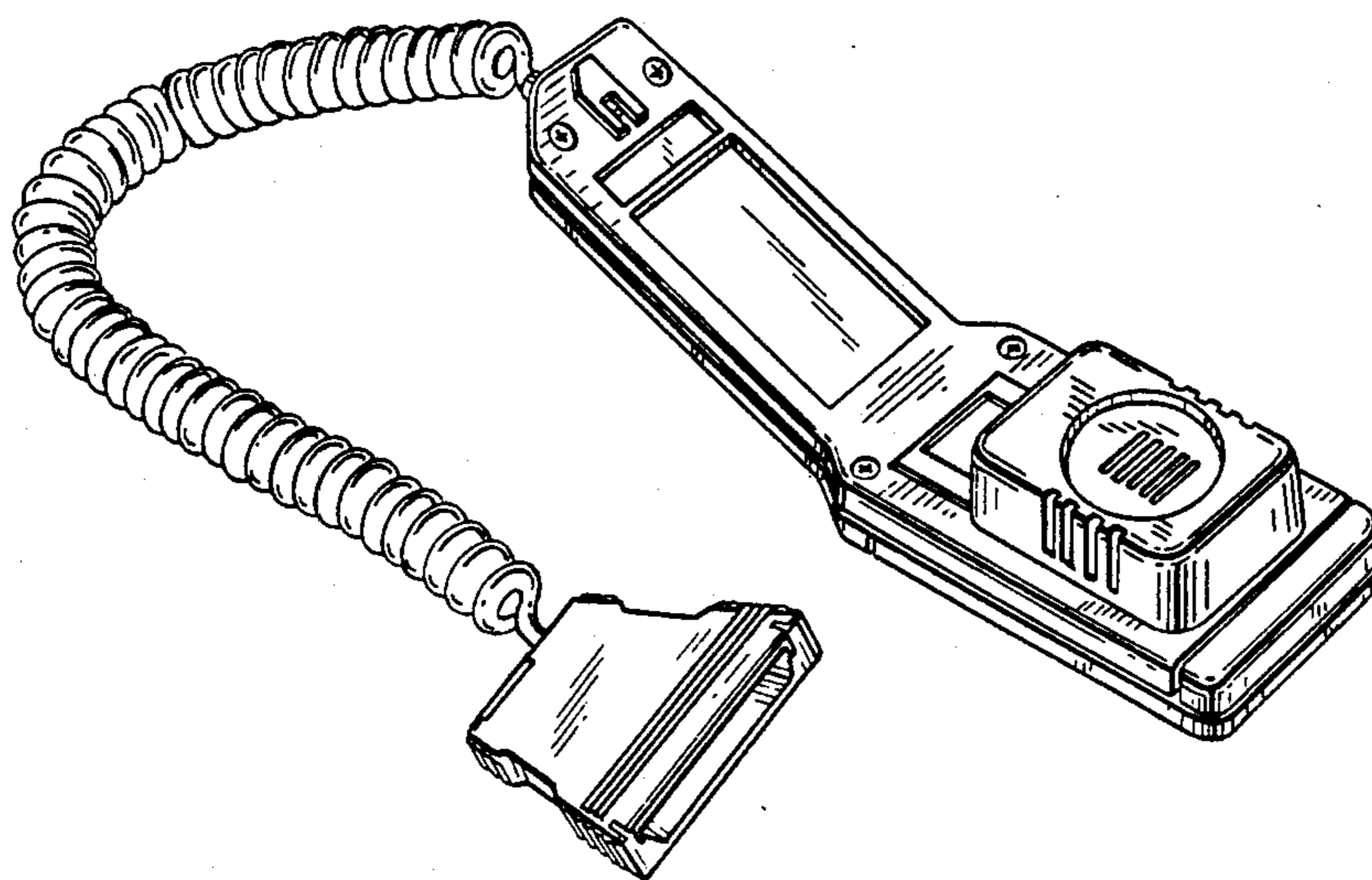


Fig. 1

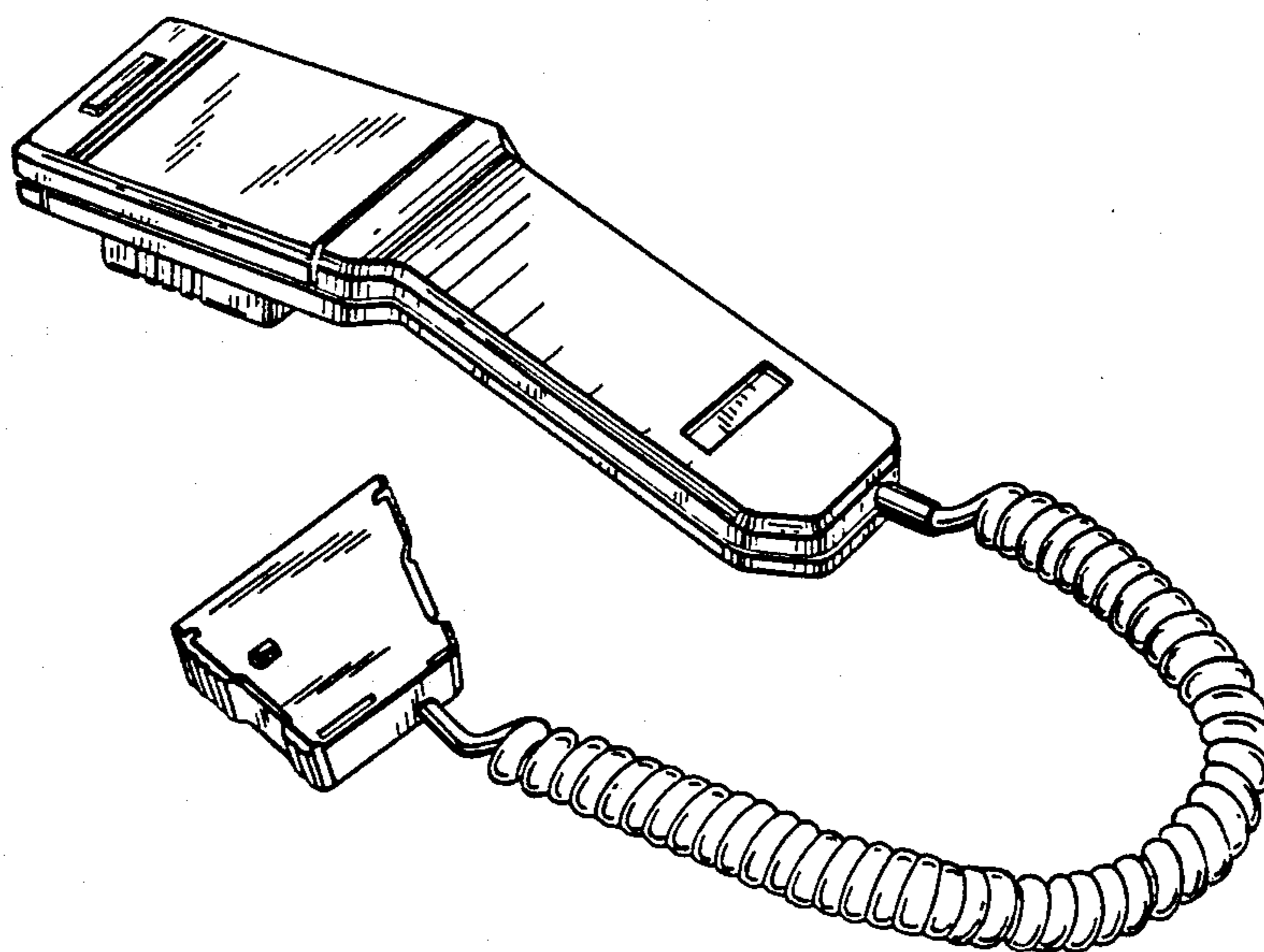


Fig. 2

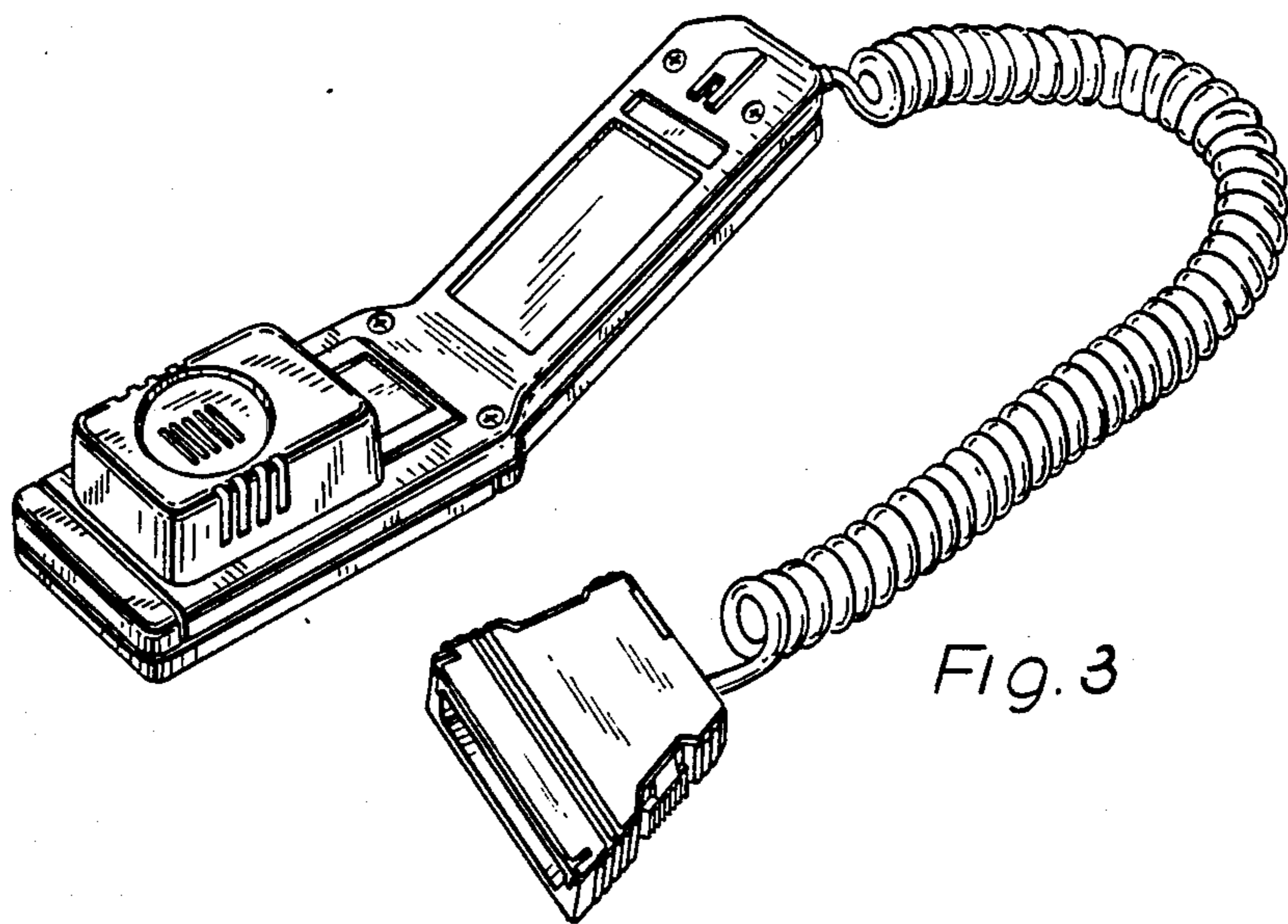


Fig. 3

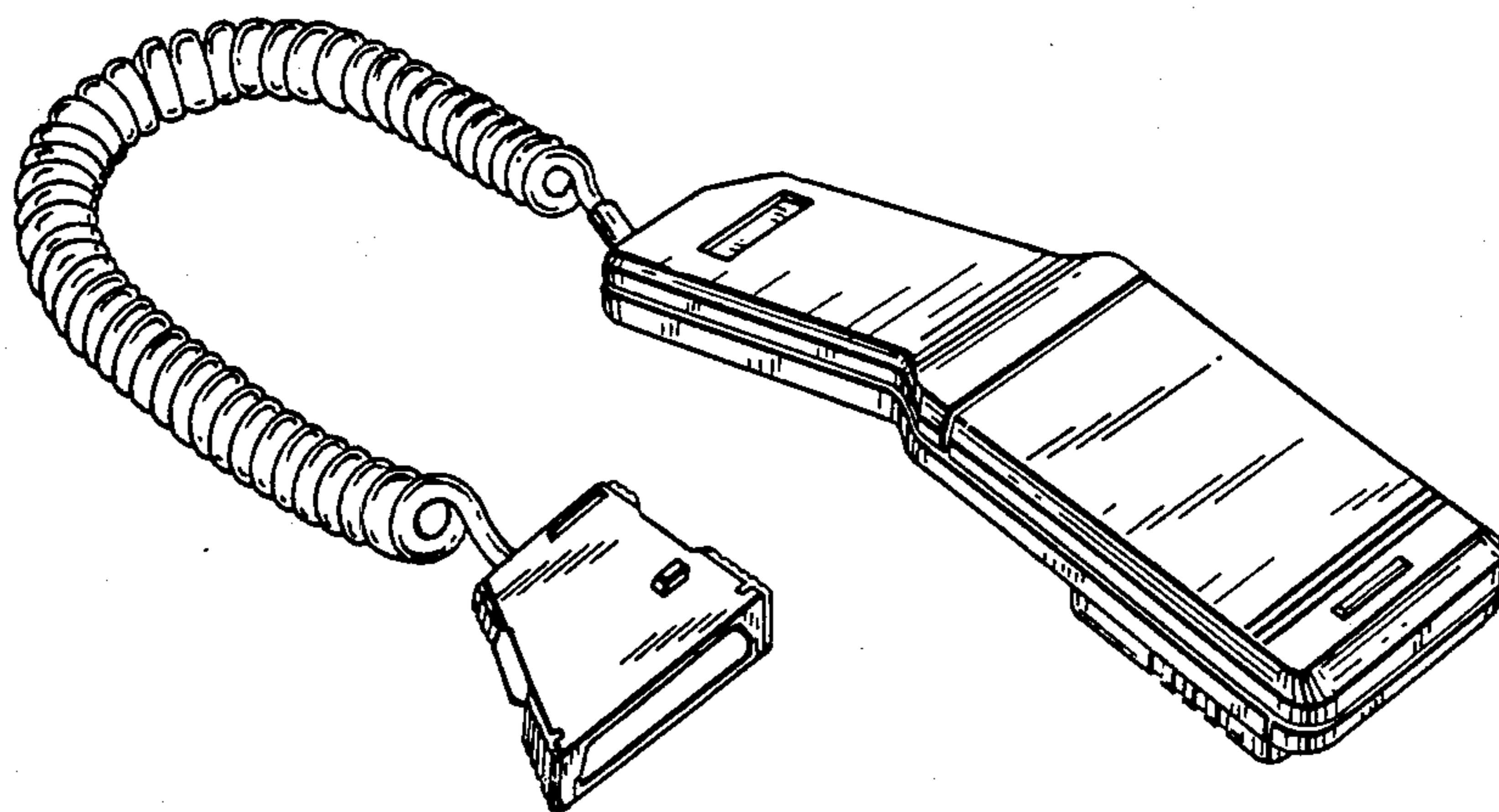


Fig. 4