

[54] BATTERY CHARGING ADAPTER FOR A REMOTE MONITORING AND ALARM SYSTEM

[75] Inventor: Dennis L. Vories, Valley Center, Calif.

[73] Assignee: F. B. Nutter Enterprises, Inc., San Bernardino, Calif.

[\*\*] Term: 14 Years

[21] Appl. No.: 845,827

[22] Filed: Mar. 25, 1986

[52] U.S. Cl. .... D13/5

[58] Field of Search ..... D13/4-6, D13/11; 320/2-5; 363/144, 146; 340/539, 693

[56] References Cited

U.S. PATENT DOCUMENTS

- D. 256,236 8/1980 Nagele et al. .... D14/76
- D. 263,465 3/1982 Fathi ..... D13/4
- 4,543,624 9/1985 Rumble ..... D13/11

4,636,703 1/1987 Tohya et al. .... 320/2

FOREIGN PATENT DOCUMENTS

0155674 9/1983 Japan ..... D13/4

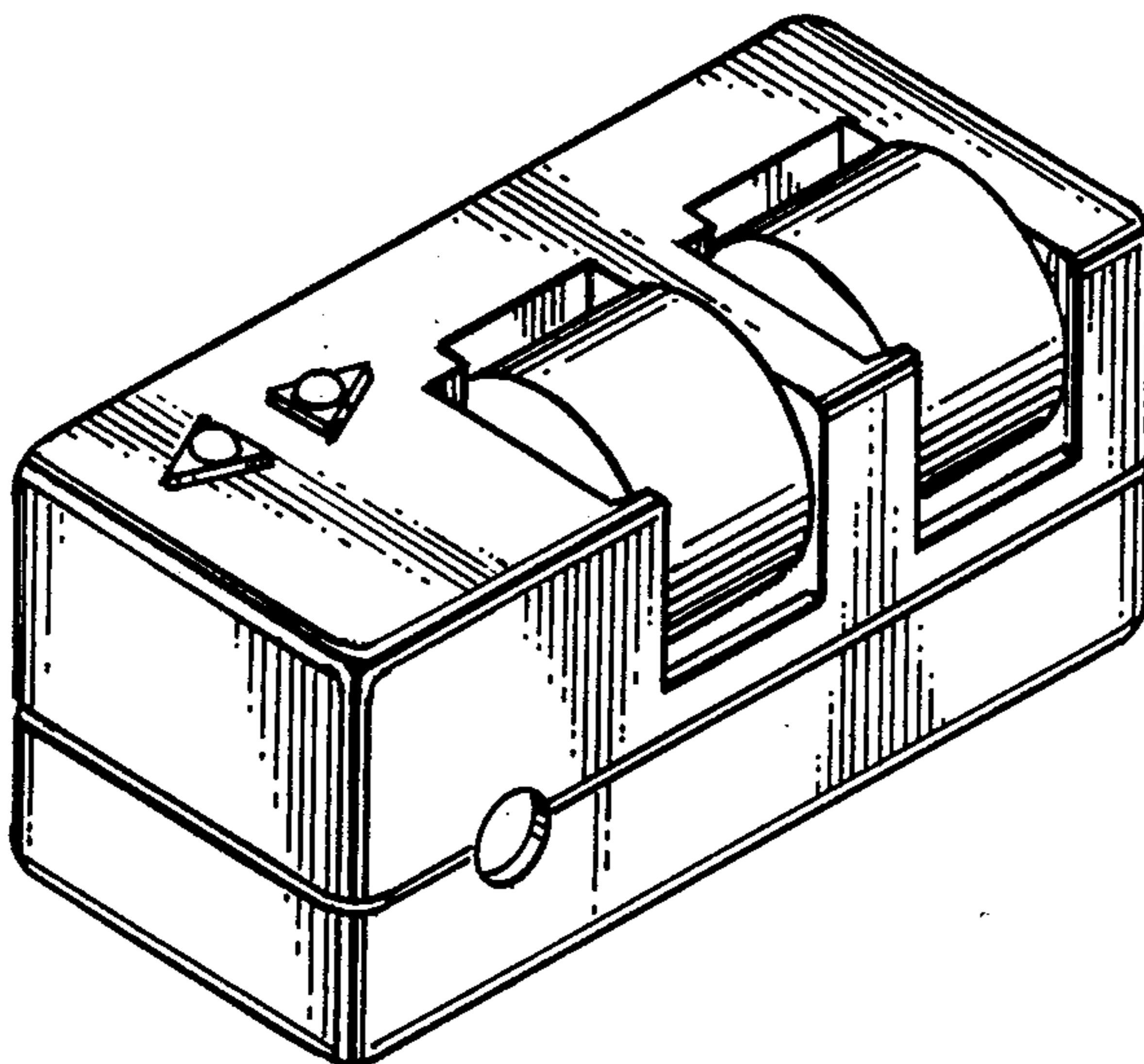
Primary Examiner—Bruce W. Dunkins  
Assistant Examiner—Ruth Takemoto  
Attorney, Agent, or Firm—Christie, Parker & Hale

[57] CLAIM

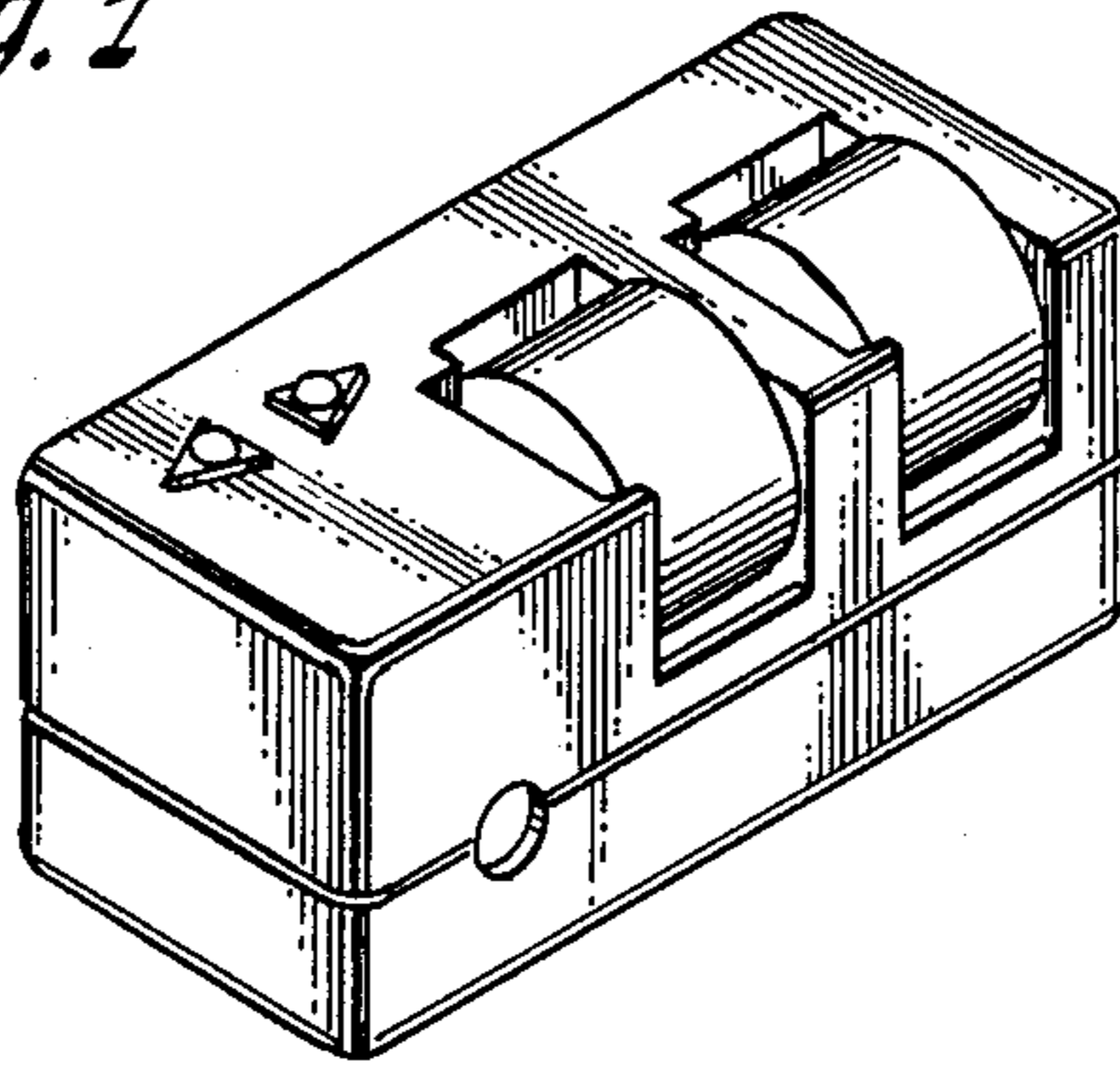
The ornamental design for a battery charging adapter for a remote monitoring and alarm system, as shown and described.

DESCRIPTION

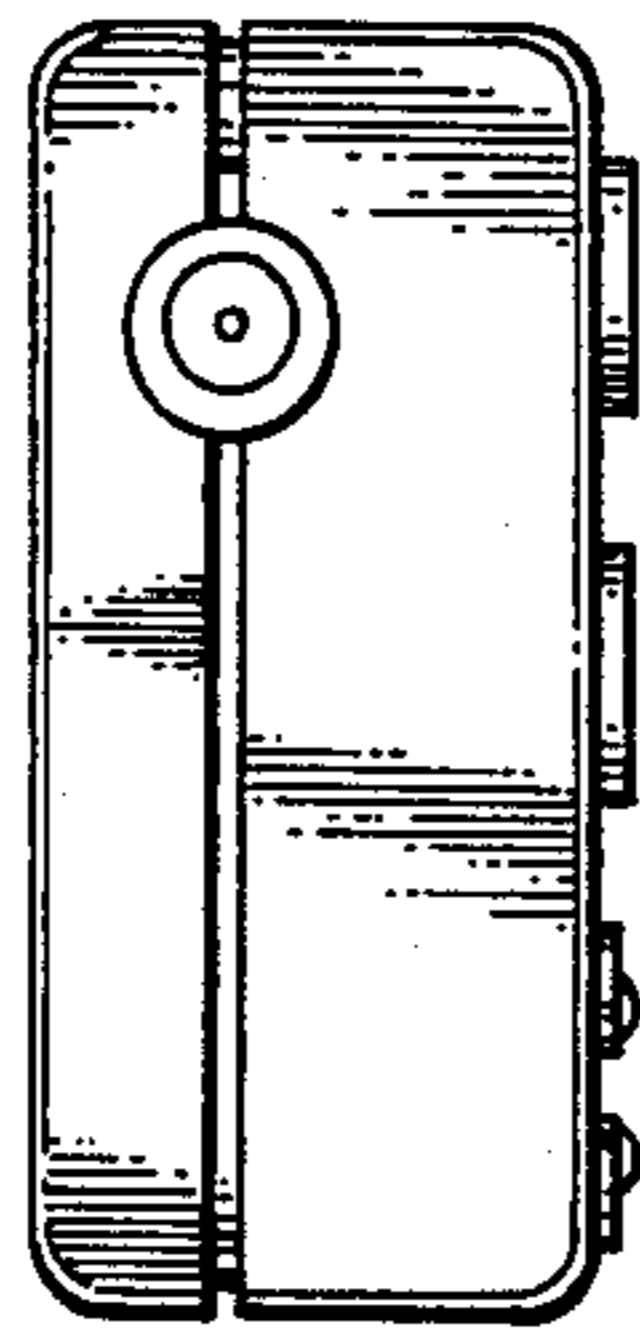
FIG. 1 is a top, front and left side perspective view of a battery charging adapter for a remote monitoring and alarm system showing my new design; FIG. 2 is a right side elevational view thereof; FIG. 3 is a top view thereof; FIG. 4 is a left side elevational view thereof; FIG. 5 is a bottom view thereof; and FIG. 6 is a front elevational view thereof.



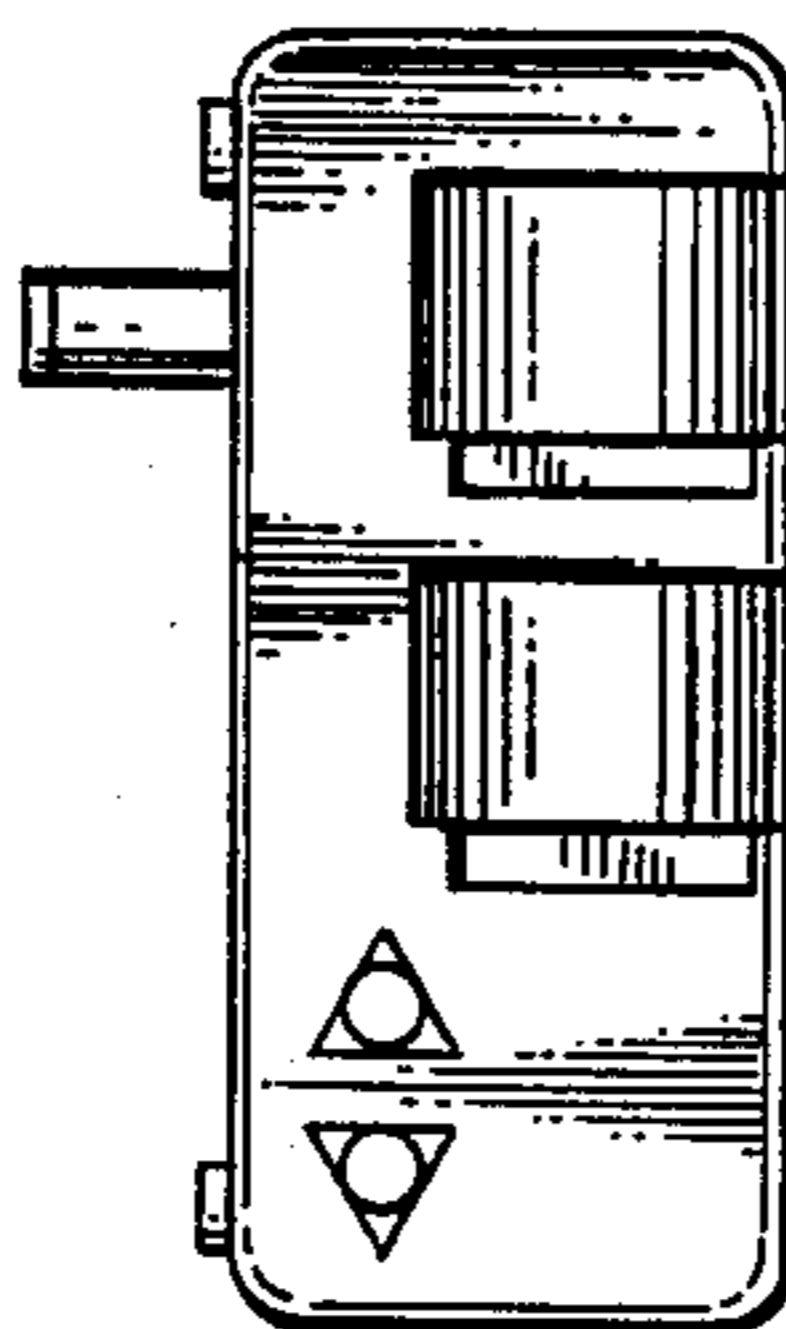
*Fig. 1*



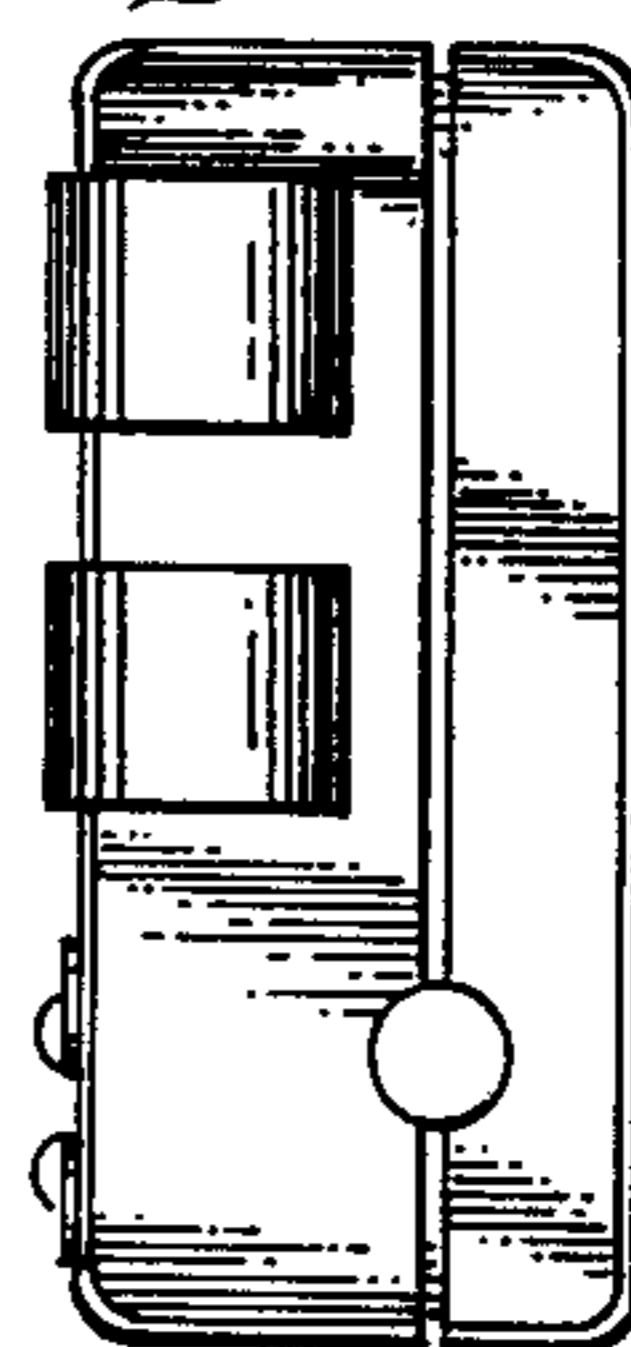
*Fig. 2*



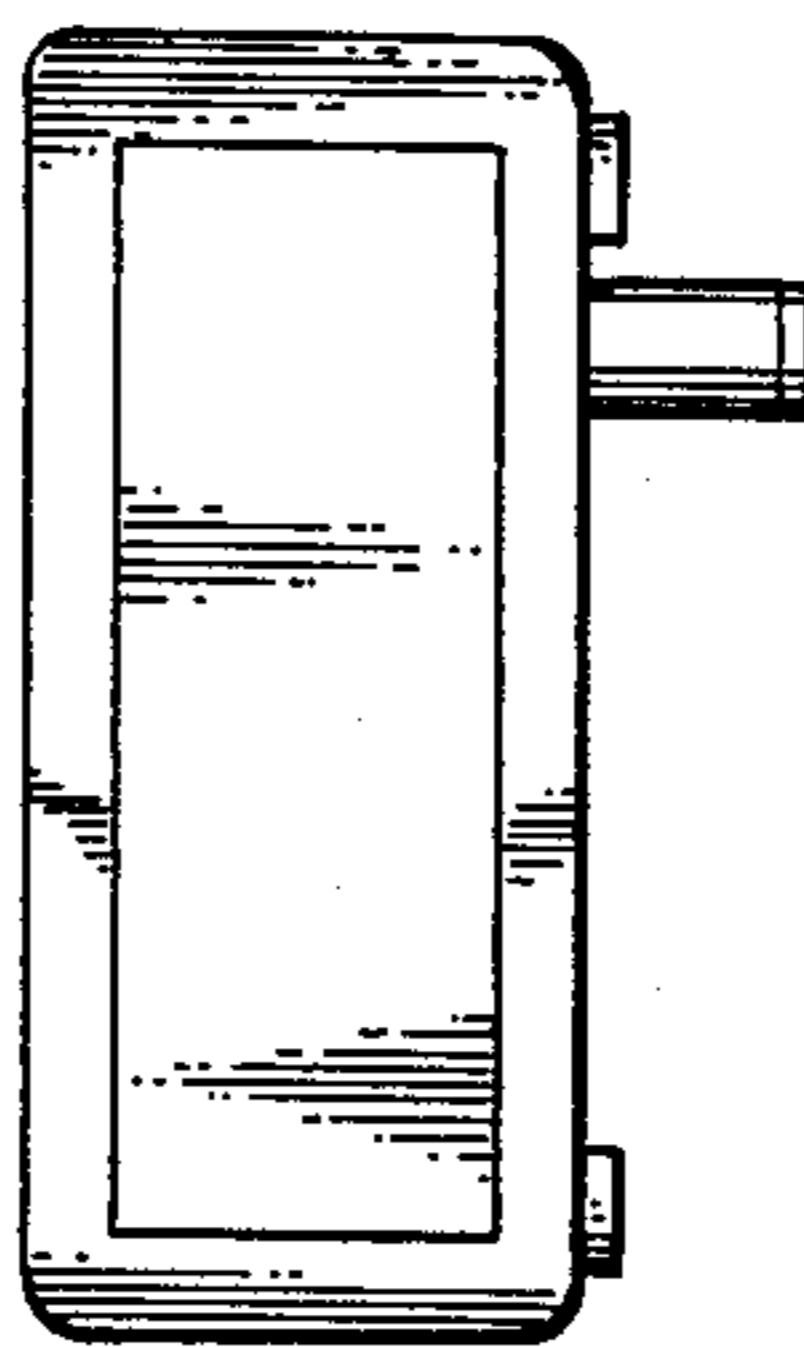
*Fig. 3*



*Fig. 4*



*Fig. 5*



*Fig. 6*

