

[54] WINDSURFER

[76] Inventor: Robert B. Wood, Jr., 1070 Parker, Detroit, Mich. 48214

[**] Term: 14 Years

[21] Appl. No.: 22,330

[22] Filed: Mar. 5, 1987

[52] U.S. Cl. D12/304; D21/228

[58] Field of Search D12/304, 303, 300; 14/39.2, 61; 441/74

[56] References Cited

U.S. PATENT DOCUMENTS

D. 293,096	12/1987	Keller	D12/304
3,812,805	5/1974	Forssell et al.	114/61
4,437,424	3/1984	Lord	114/61

4,702,186	10/1987	Tiede	114/61
4,715,306	12/1987	Horais	114/39.2

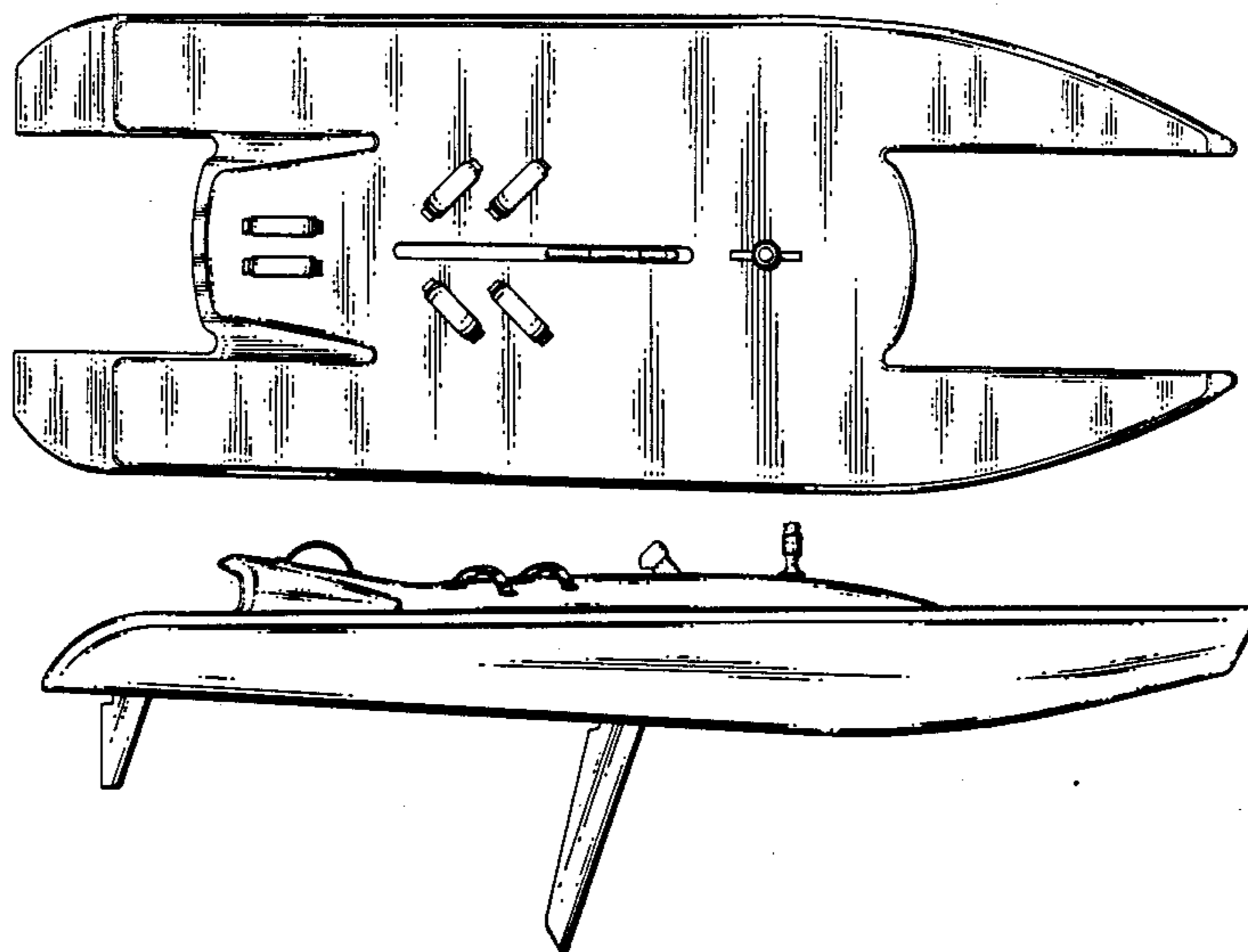
Primary Examiner—Wallace R. Burke
Assistant Examiner—Kay H. Chin
Attorney, Agent, or Firm—Brooks & Kushman

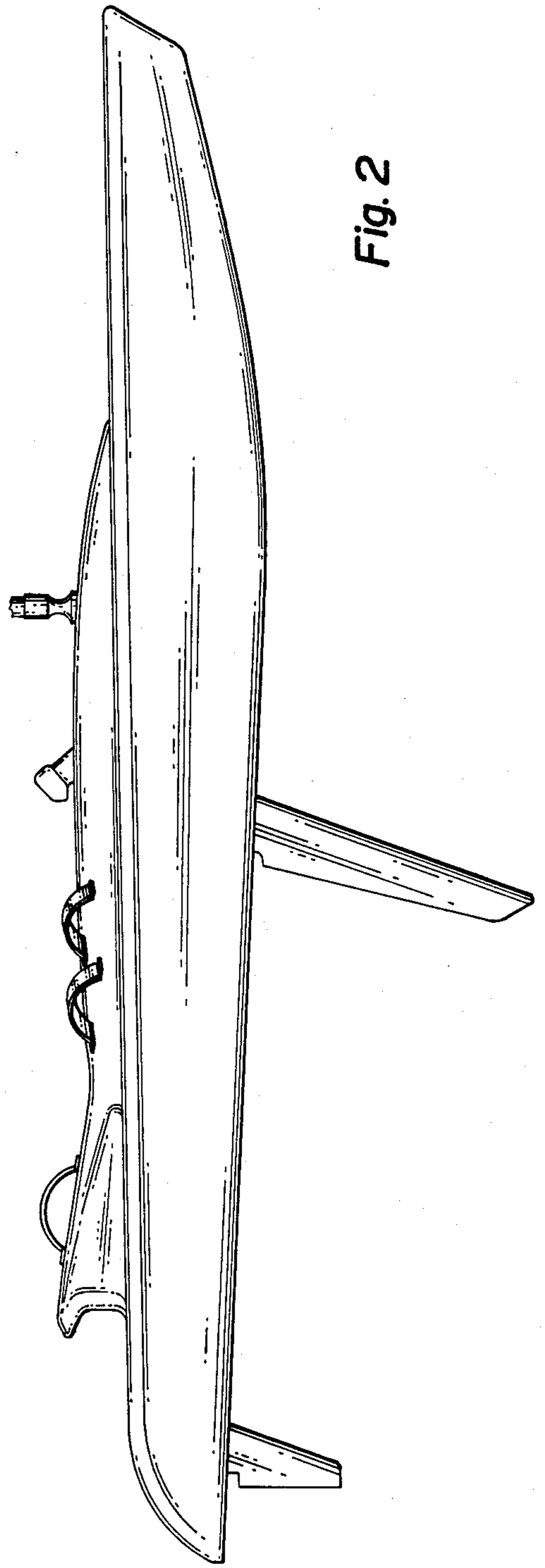
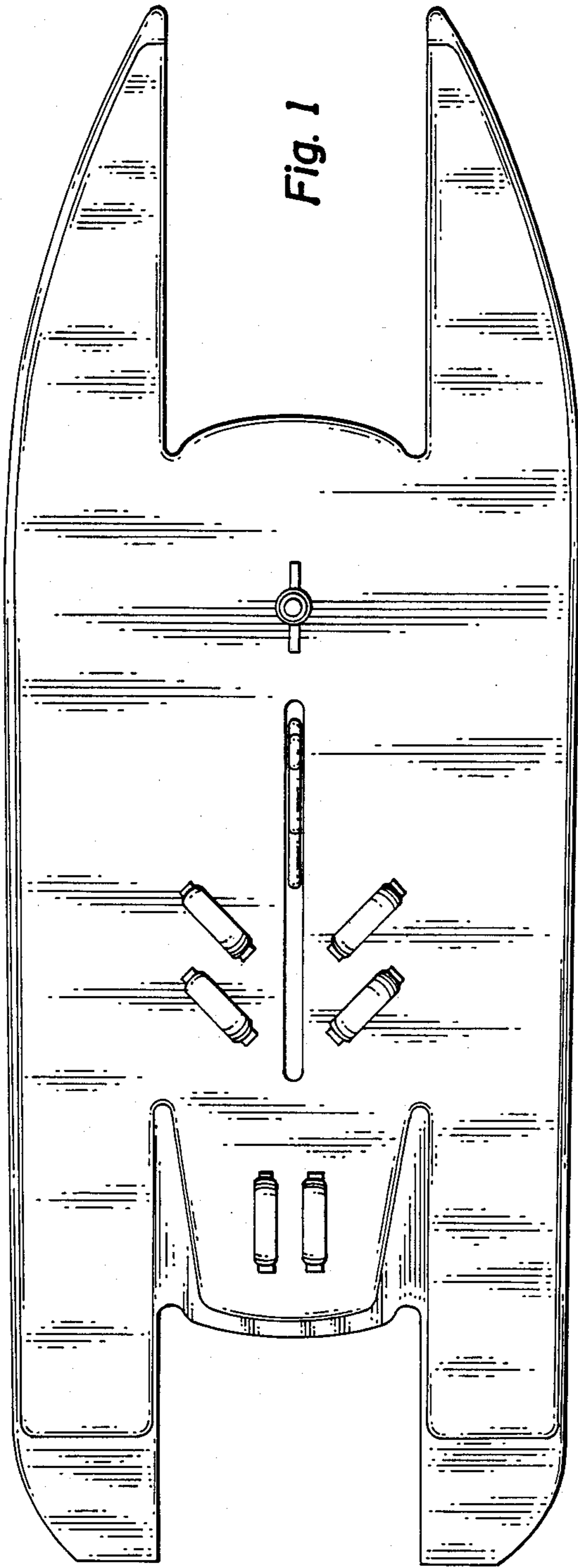
[57] CLAIM

The ornamental design for a windsurfer, as shown and described.

DESCRIPTION

FIG. 1 is a top plan view of a windsurfer showing my new design;
FIG. 2 is a left side elevational view thereof;
FIG. 3 is a bottom plan view thereof;
FIG. 4 is a right side elevational view thereof;
FIG. 5 is a front elevational view thereof; and
FIG. 6 is a rear elevational view thereof.





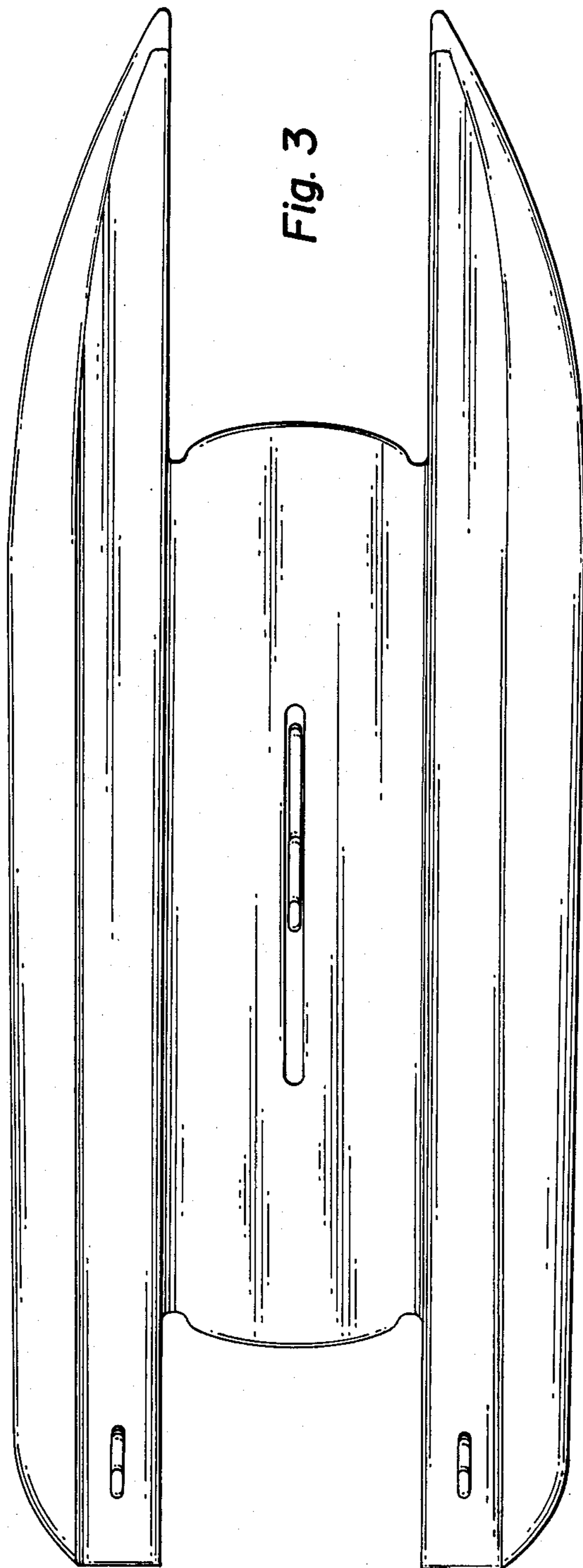


Fig. 3

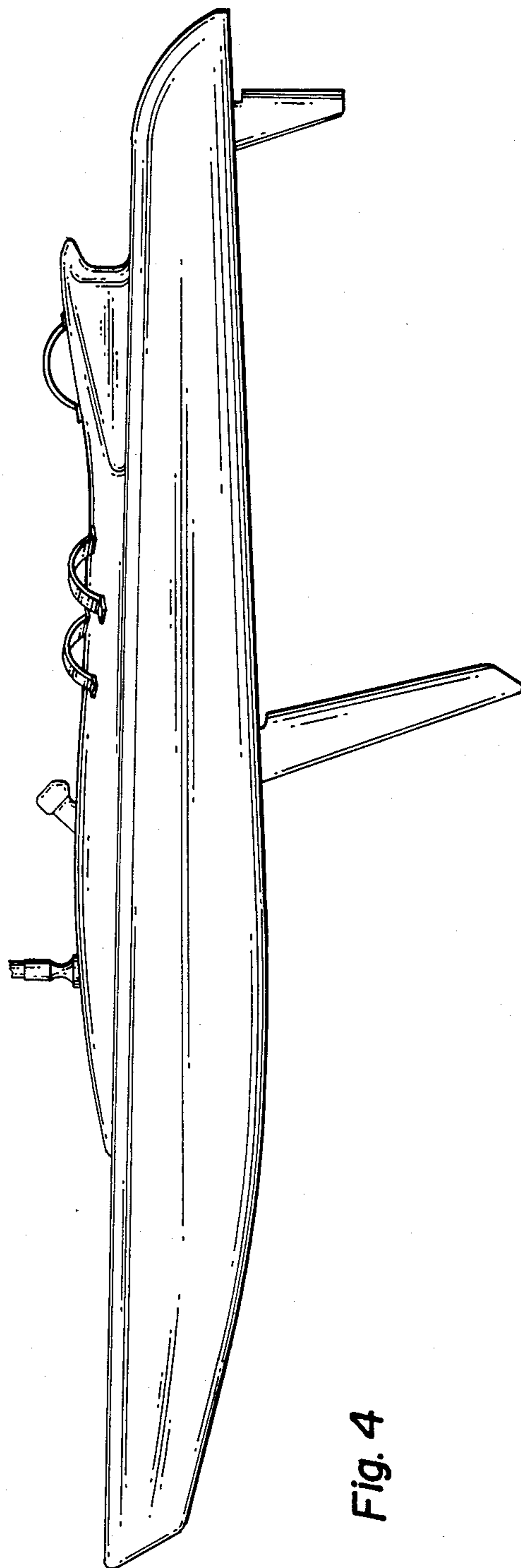


Fig. 4

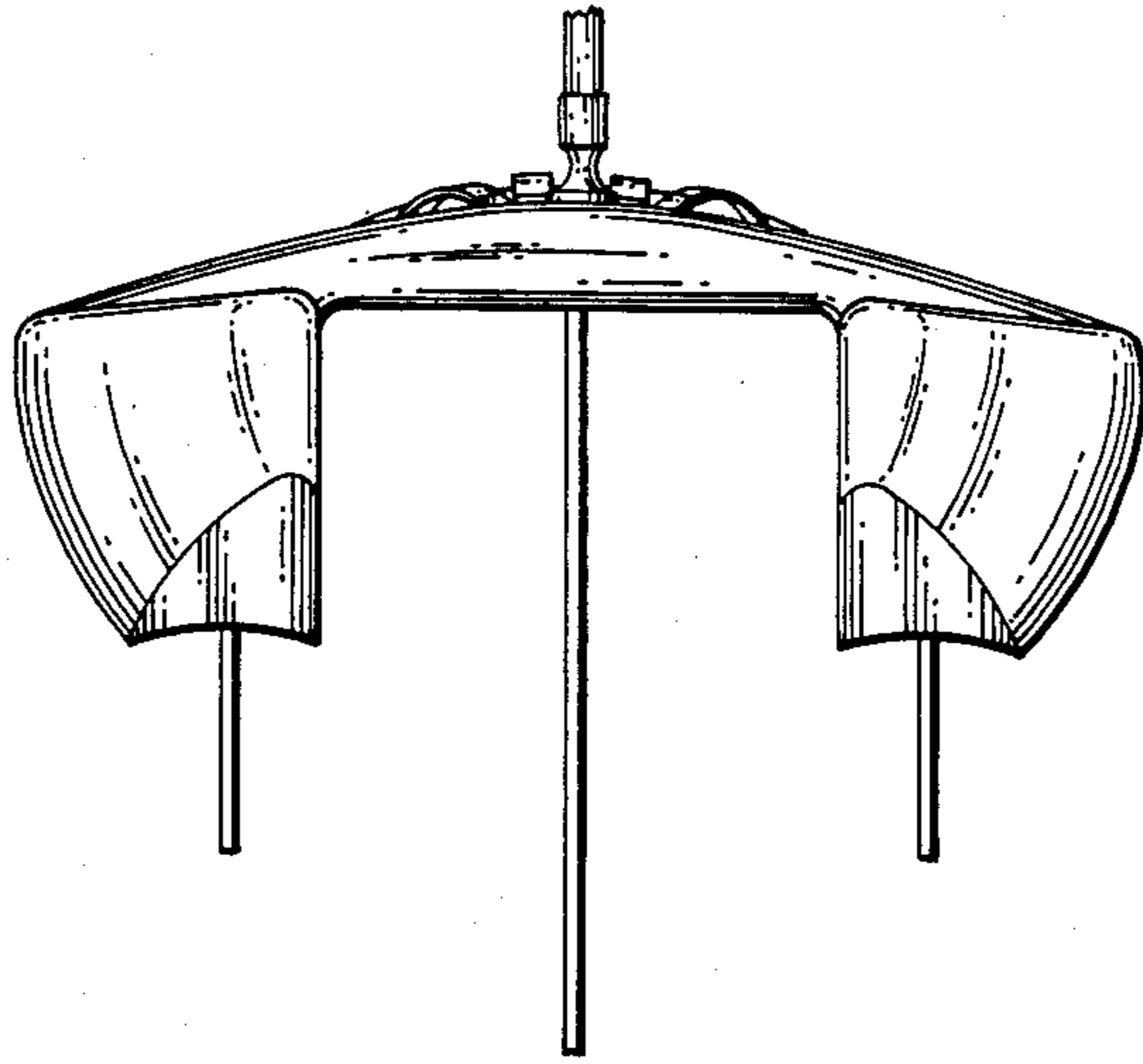


Fig. 5

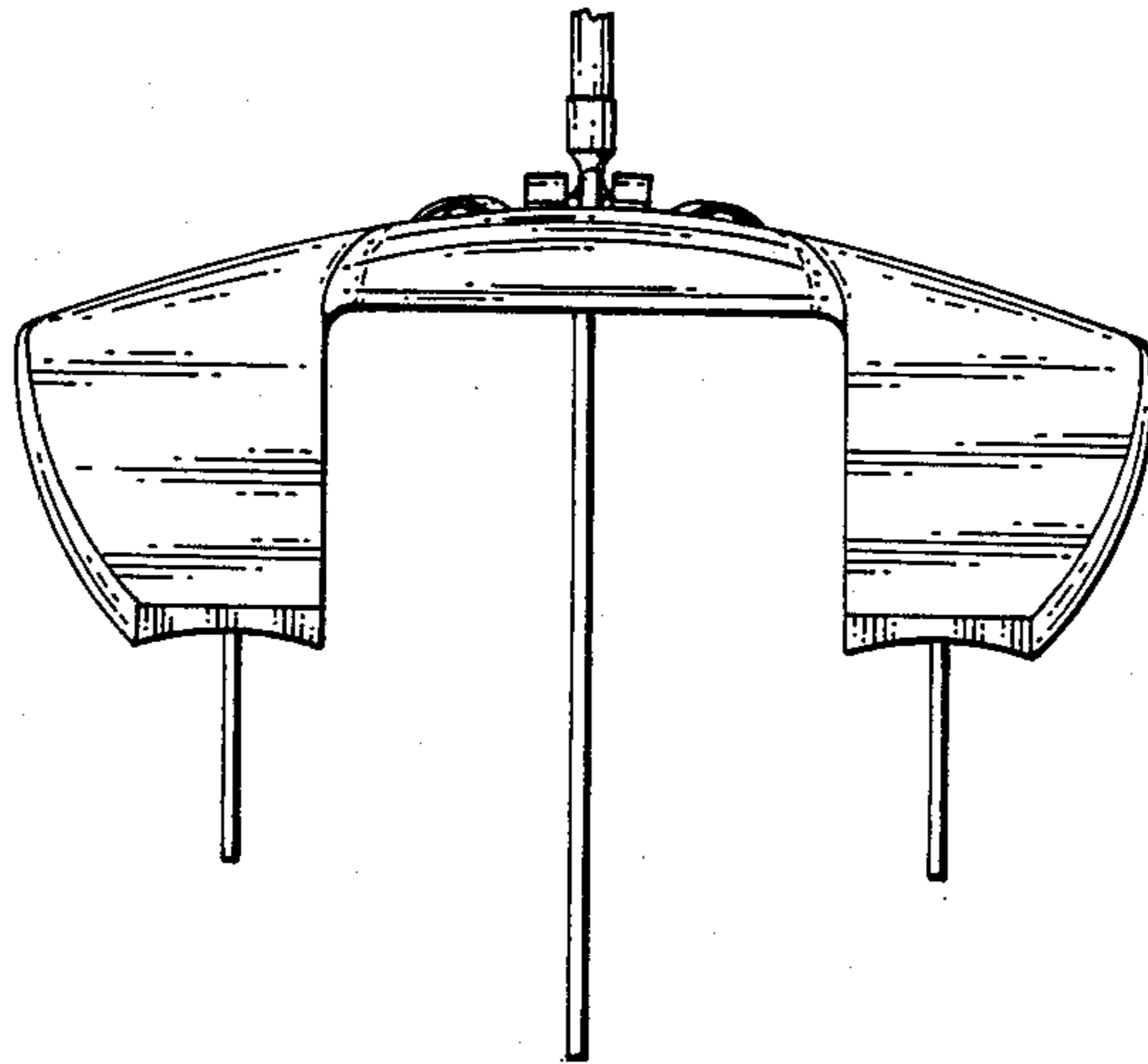


Fig. 6