

United States Patent [19]

Funabashi et al.

[11] Patent Number: **Des. 301,224**

[45] Date of Patent: **** May 23, 1989**

[54] **STEERING WHEEL FOR AGRICULTURAL MACHINE**

[75] Inventors: **Genichi Funabashi, Sennan; Hitoshi Oshima, Nagoya, both of Japan**

[73] Assignees: **Kubota, Ltd., Osaka; Toyoda Gosei Co., Ltd., Aichi, both of Japan**

[**] Term: **14 Years**

[21] Appl. No.: **856,533**

[22] Filed: **Apr. 28, 1986**

[52] U.S. Cl. **D12/176**

[58] Field of Search **D12/176; 74/552**

[56] **References Cited**

U.S. PATENT DOCUMENTS

D. 222,448 10/1971 Faul et al. D12/176

D. 254,486 3/1980 Montgomery et al. D12/176
D. 295,846 5/1988 Whitley, II D12/176

Primary Examiner—James M. Gandy
Attorney, Agent, or Firm—Jordan and Hamburg

[57] CLAIM

The ornamental design for a steering wheel for agricultural machine, as shown.

DESCRIPTION

FIG. 1 is a top plan view of our steering wheel for agricultural machine;
FIG. 2 is a bottom plan view thereof;
FIG. 3 is a front elevation view thereof;
FIG. 4 is a rear elevation view thereof;
FIG. 5 is a left side elevation view thereof;
FIG. 6 is a right side elevation view thereof; and
FIG. 7 is an enlarged perspective view thereof.

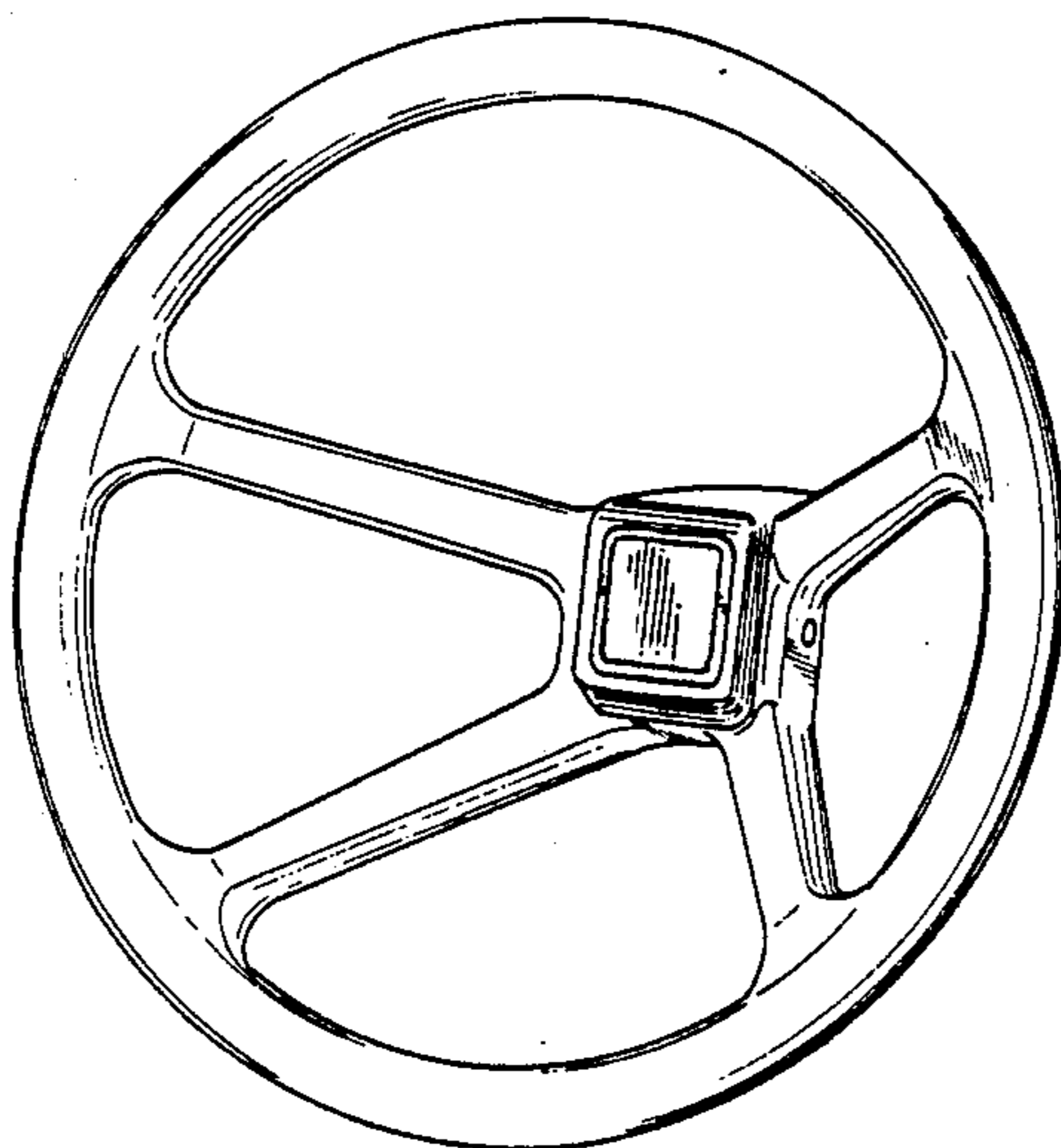


Fig.1

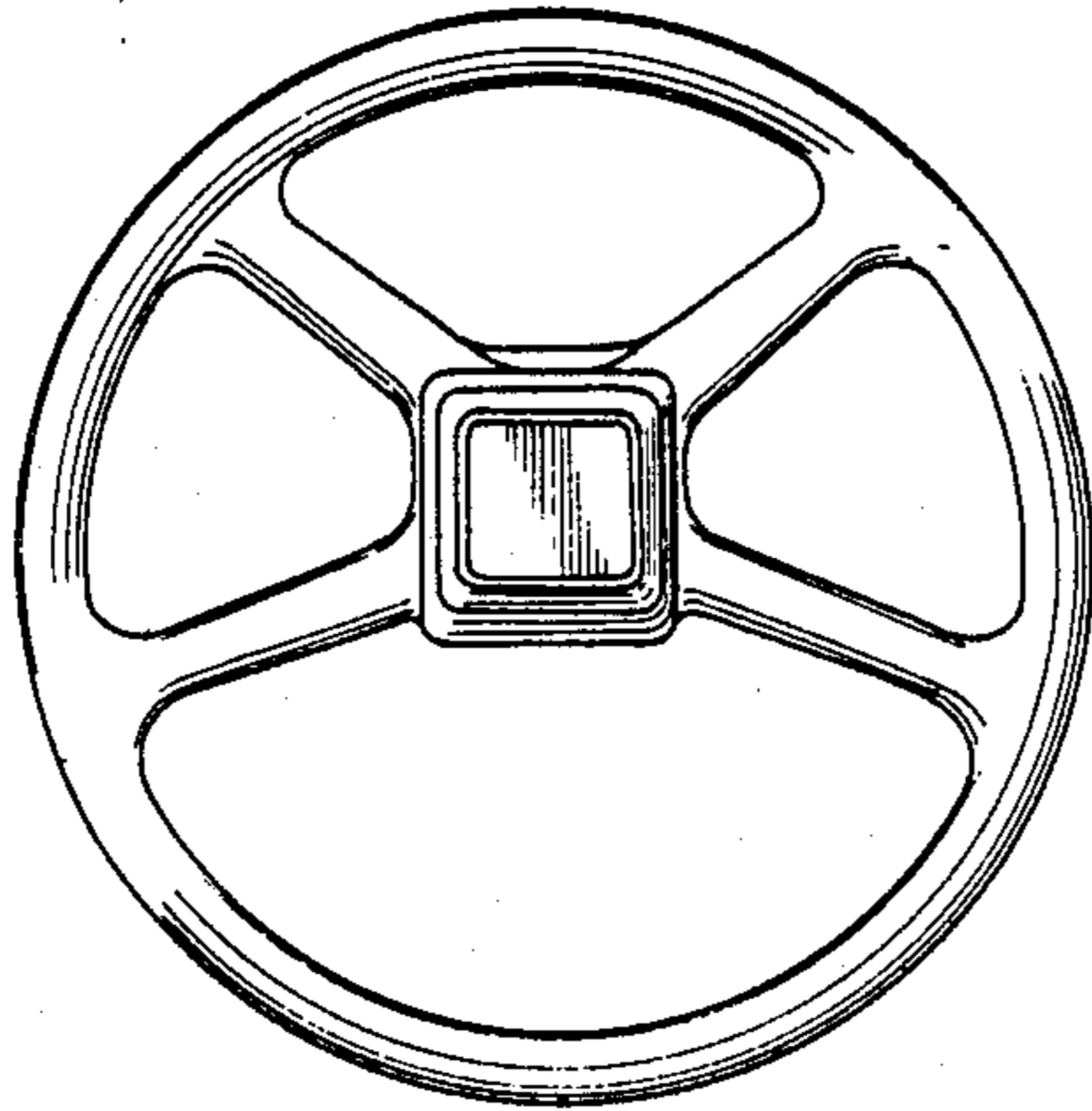


Fig. 2

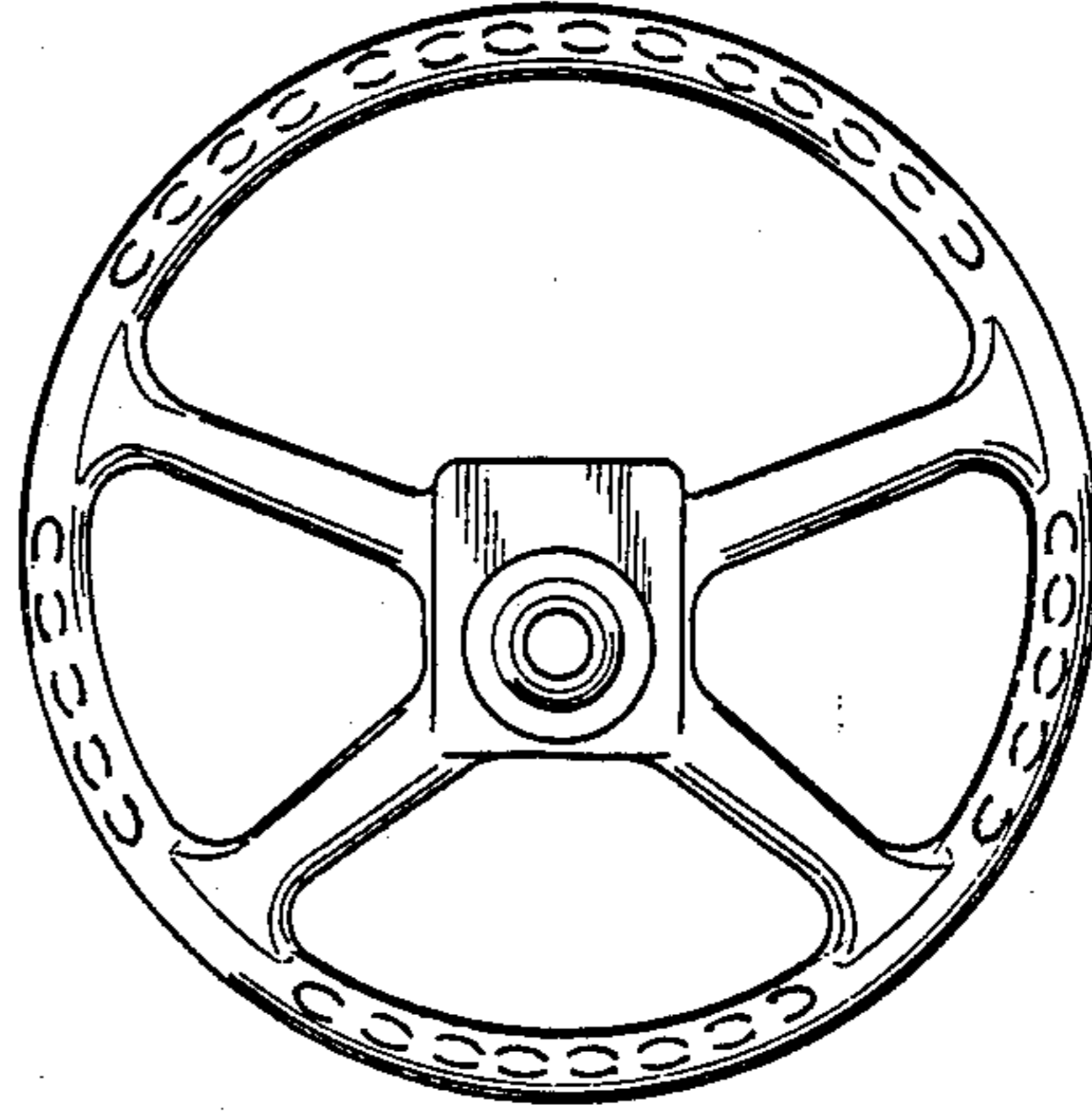


Fig. 3

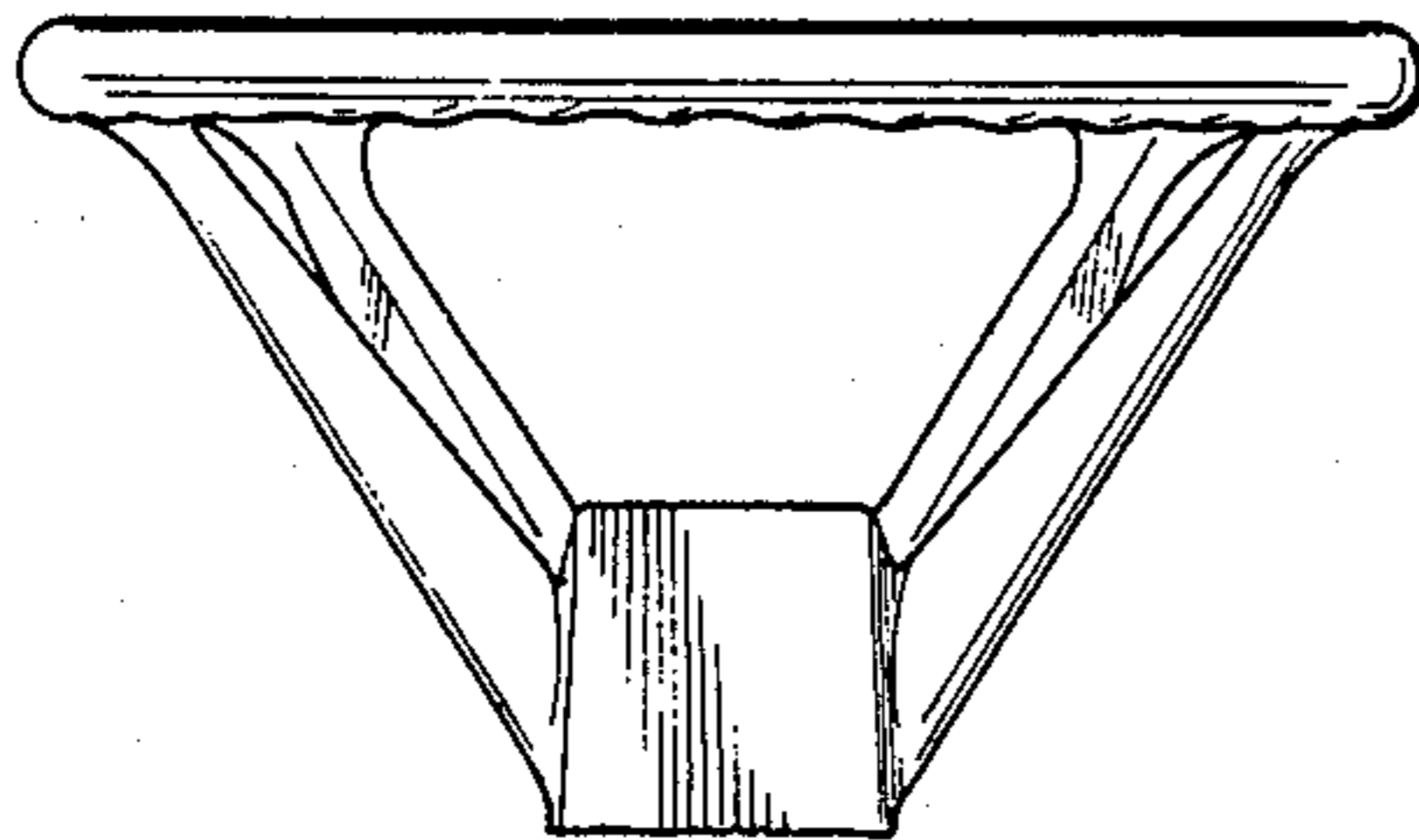


Fig. 4

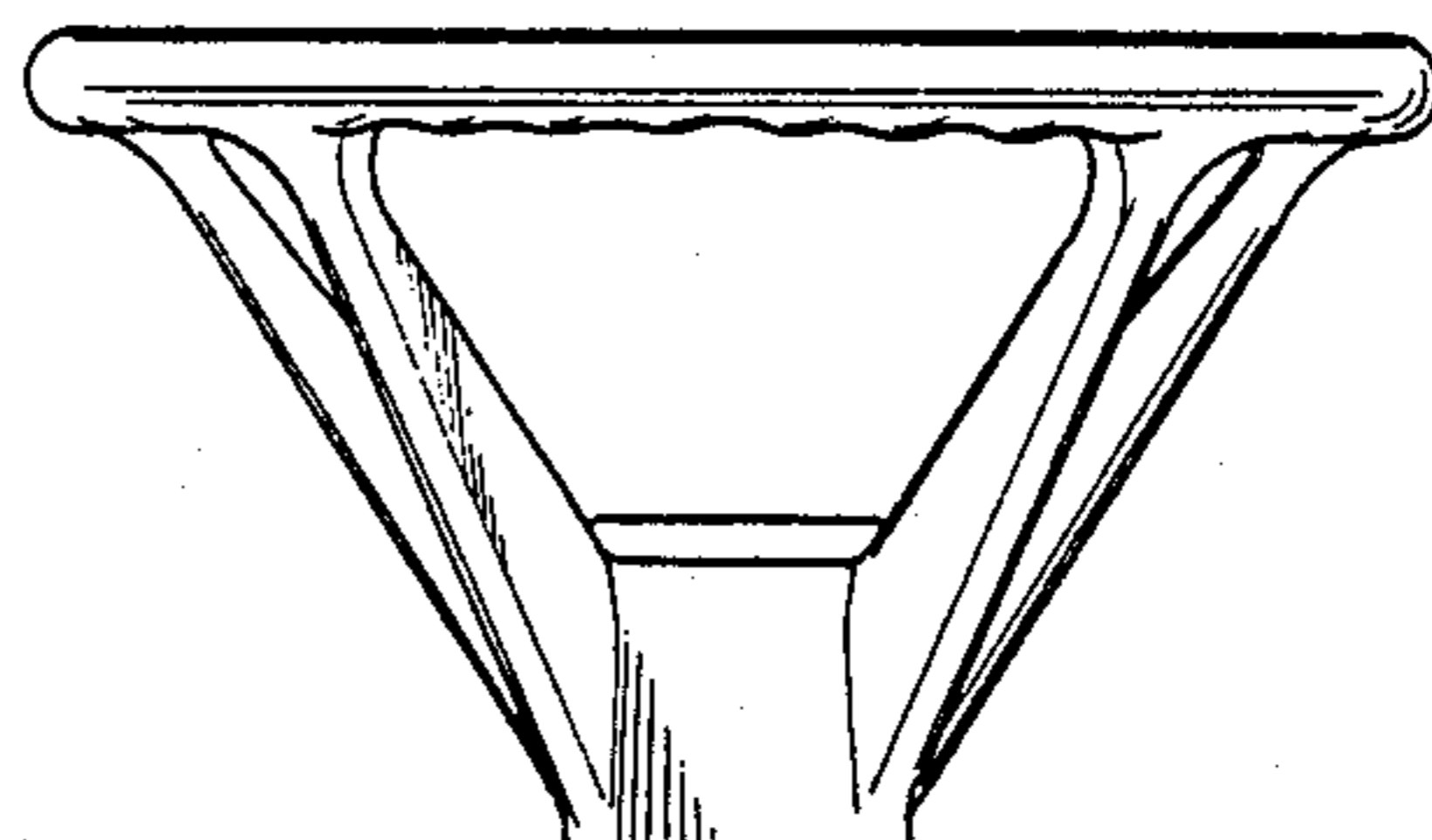


Fig. 5

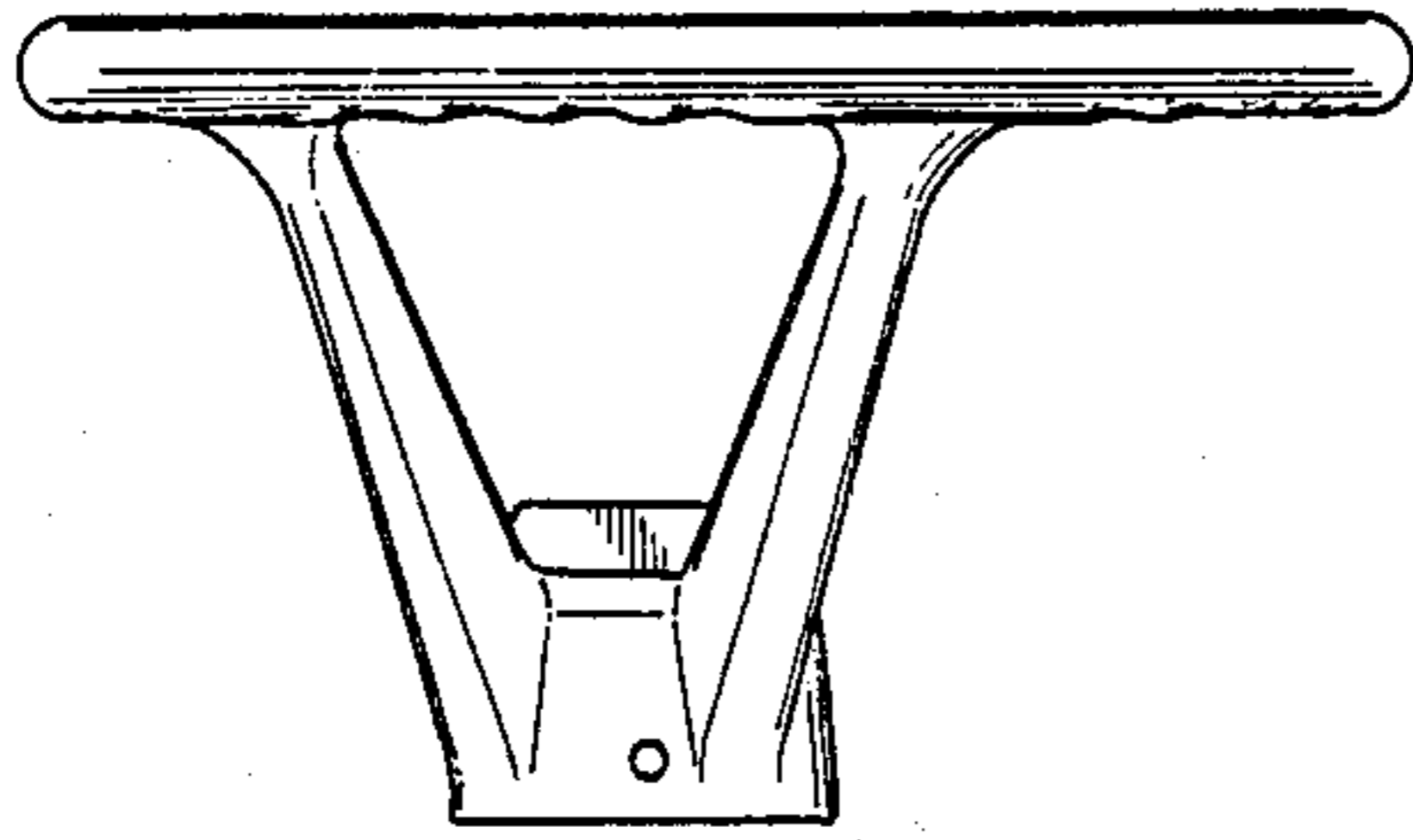


Fig. 6

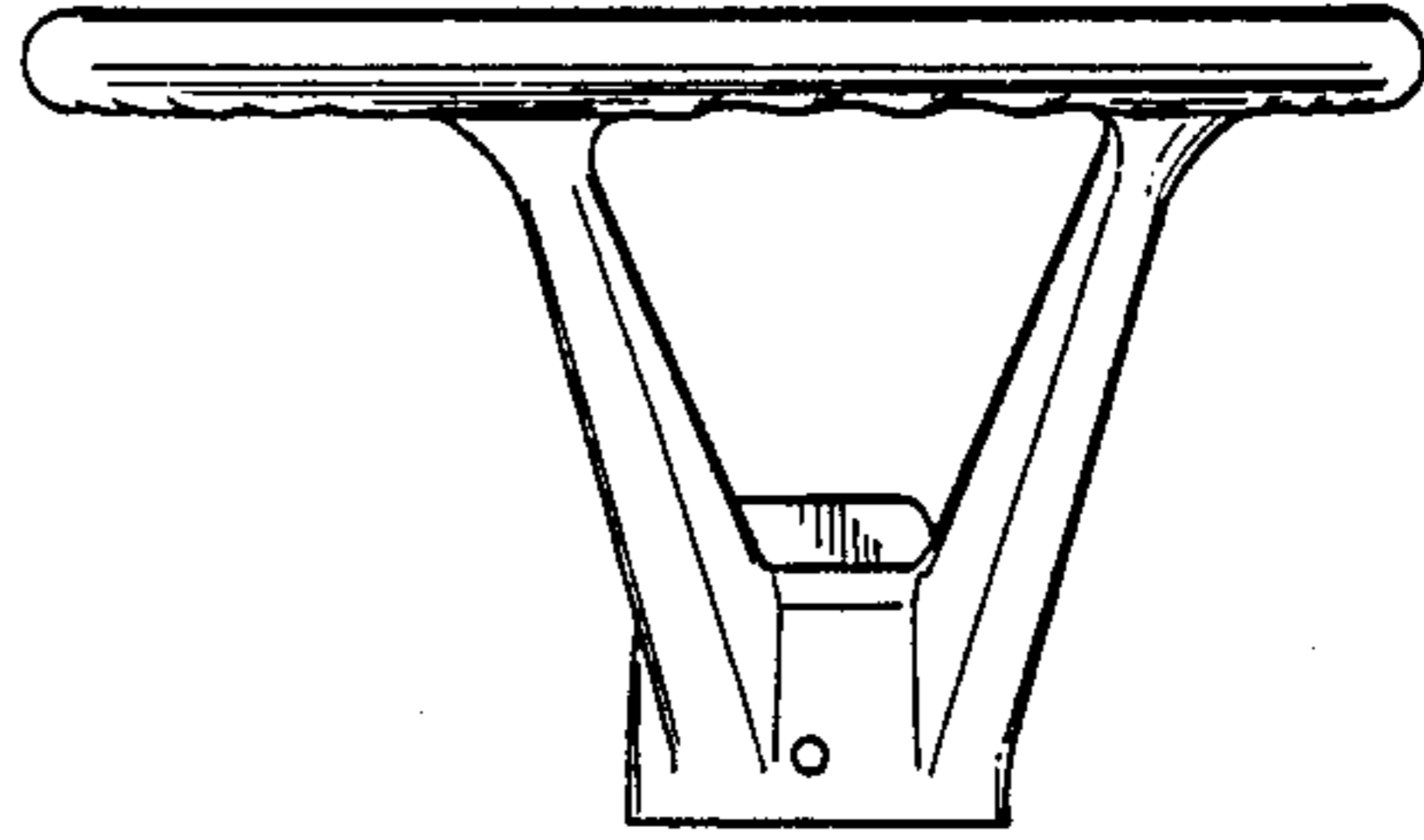


Fig. 7

