

[54] **SUSPENDER FASTENER**

[75] **Inventor:** William G. Crowle, Deerfield, Ill.

[73] **Assignee:** Illinois Tool Works Inc., Chicago, Ill.

[**] **Term:** 14 Years

[21] **Appl. No.:** 857,785

[22] **Filed:** Apr. 25, 1986

[52] **U.S. Cl.** D11/218; D2/640

[58] **Field of Search** D11/212, 218, 200, 216;
24/198, 200, 163 R, 170, 191, 193, 640; D2/624,
626, 625

[56] **References Cited**

U.S. PATENT DOCUMENTS

1,216,881	2/1917	Tabler	24/200
1,264,996	5/1918	Tabler	24/200
2,769,220	11/1956	Harley	24/193
4,677,711	7/1987	Anscher	24/200

OTHER PUBLICATIONS

Luggage & Travelware—vol. 163/Sep. 1978—Feb. 1979, p. 43.

Primary Examiner—Louis S. Zarfaz
Assistant Examiner—R. Seifert
Attorney, Agent, or Firm—John P. O'Brien; Thomas W. Buckman

[57] **CLAIM**

The ornamental design for a suspender fastener, as shown and described.

DESCRIPTION

FIG. 1 is a top plan view of a suspender fastener showing my new design;
FIG. 2 is a left side elevational view thereof;
FIG. 3 is a right side elevational view thereof;
FIG. 4 is a bottom plan view of a suspender fastener depicting my new design;
FIG. 5 is a front elevational view of the suspender fastener depicted in FIG. 1; and
FIG. 6 is a sectional view of the suspender fastener depicted in FIG. 1 taken along the center line.

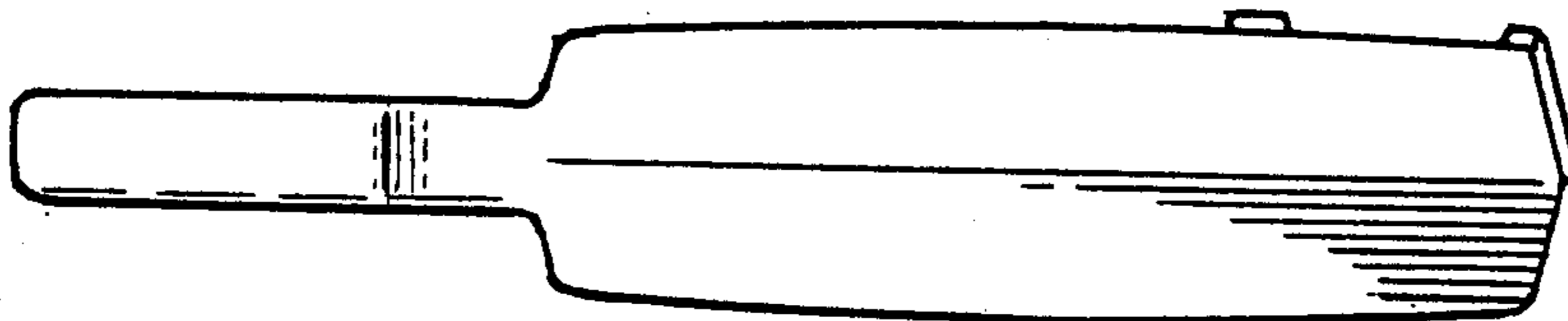
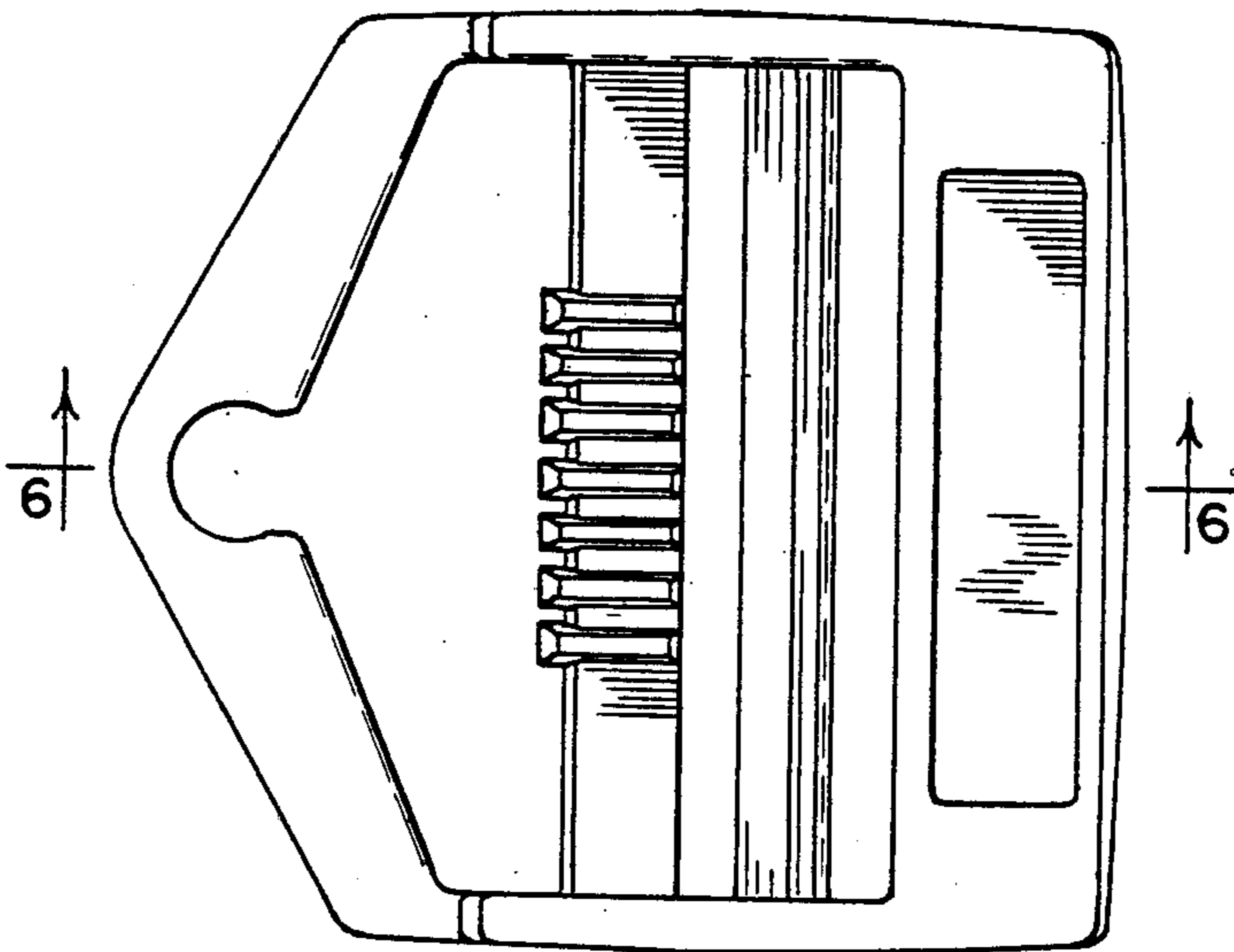


Fig. 2

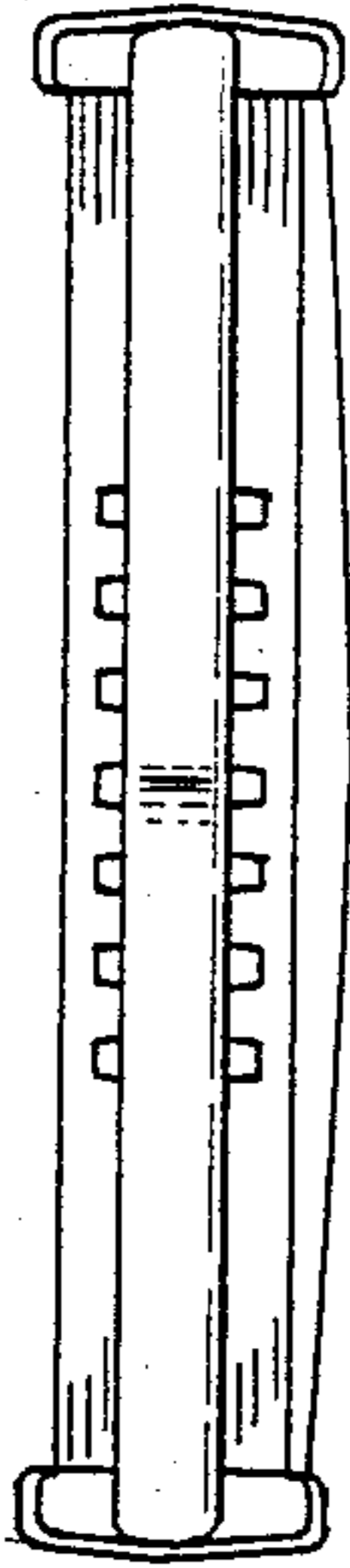


Fig. 1

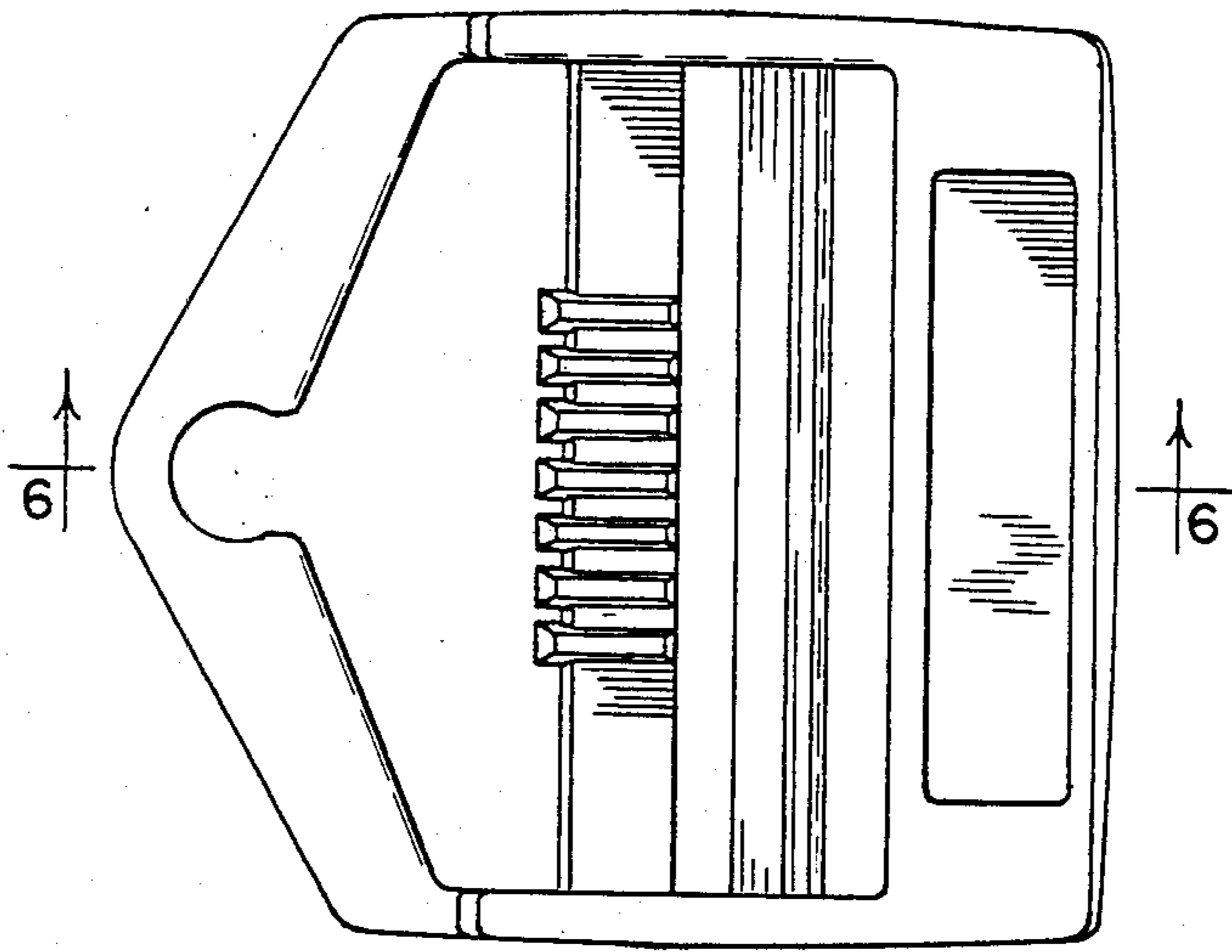


Fig. 3



Fig. 4

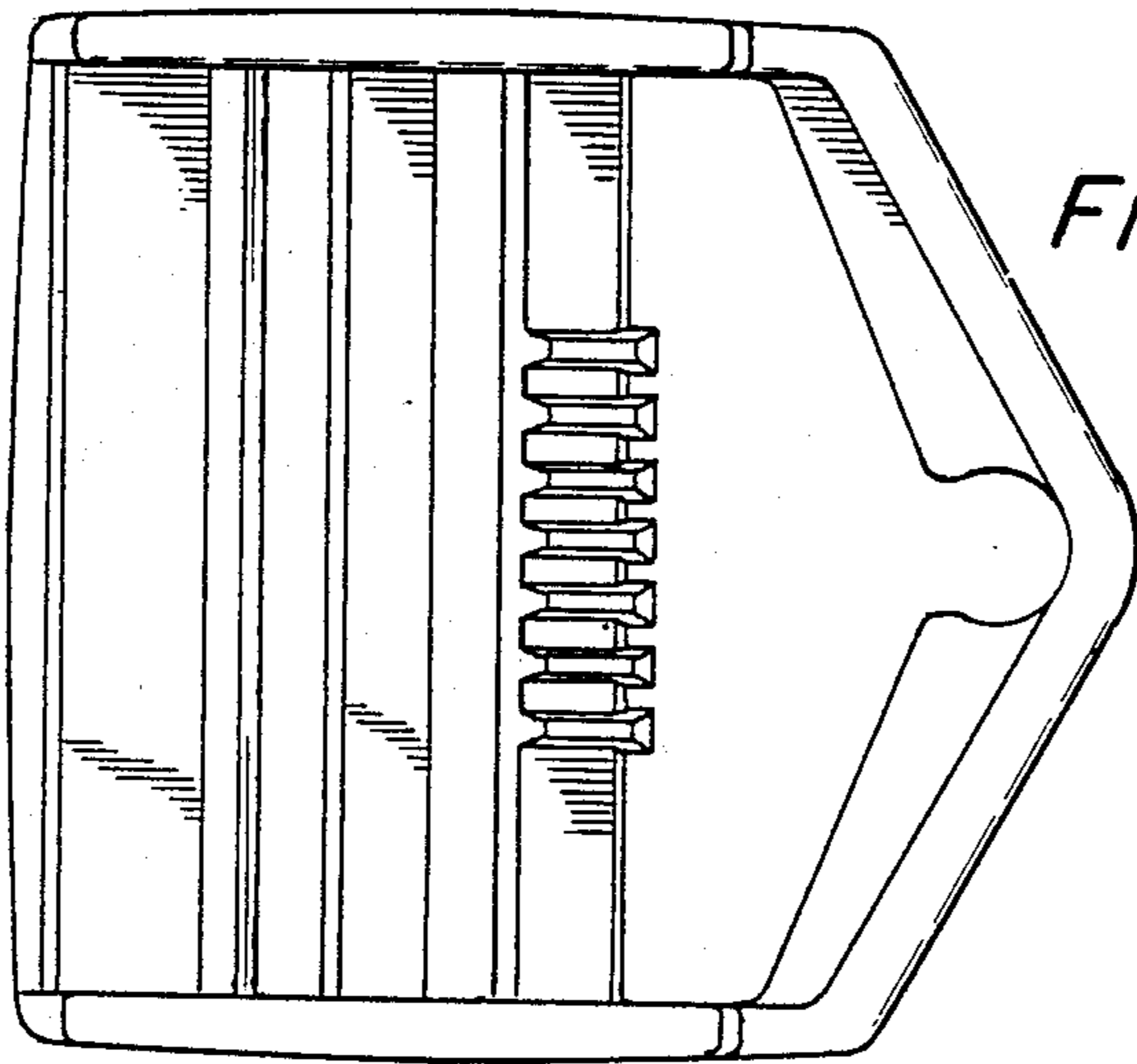


Fig. 5

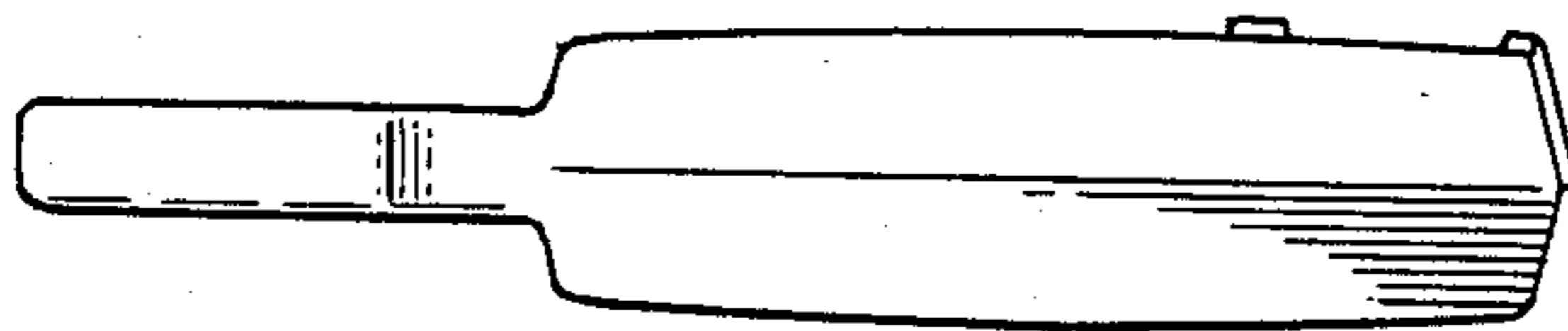


Fig. 6

