

[54] CENTERING GUIDE FOR A PORTABLE
DRILL

3,318,010 5/1967 Mahl 33/673
3,628,253 12/1971 Shepard 33/520
4,281,462 8/1981 Herbold 33/673

[75] Inventor: John Totten, Orlando, Fla.

[73] Assignee: Porta-Nails, Inc., Wilmington, N.C.

[**] Term: 14 Years

[21] Appl. No.: 791,741

[22] Filed: Oct. 28, 1985

[52] U.S. Cl. D10/61; D8/70

[58] Field of Search D8/14, 70; D10/61, 73;
33/172 D, 169 C, 520, 673

Primary Examiner—Bruce W. Dunkins
Assistant Examiner—Clare E. Heflin
Attorney, Agent, or Firm—Duckworth, Allen, Dyer &
Doppelt

[57] CLAIM

The ornamental design for a centering guide for a portable drill, as shown and described.

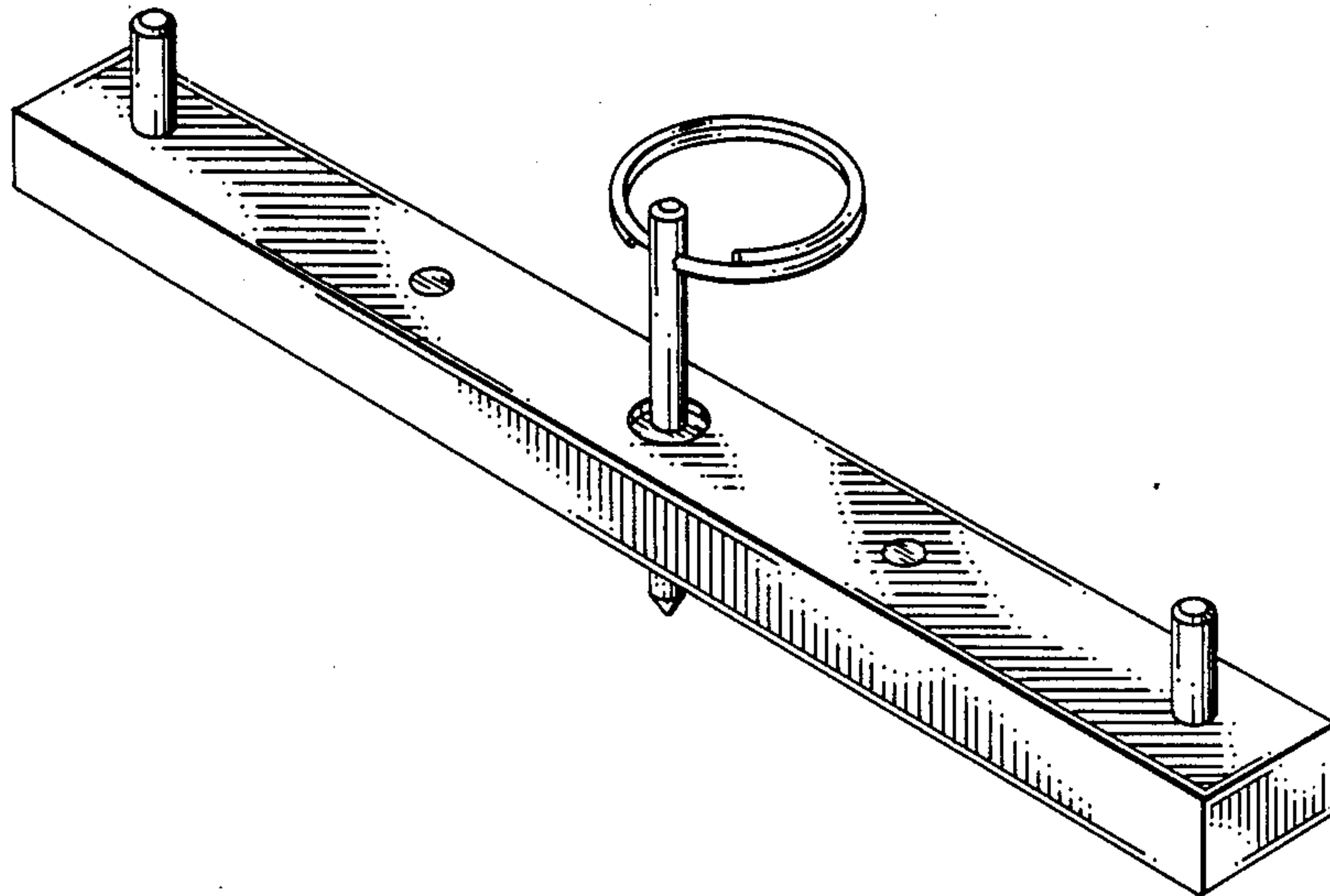
DESCRIPTION

FIG. 1 is a perspective view of the centering guide for a portable drill showing my new design;
FIG. 2 is a top plan view thereof;
FIG. 3 is a top plan view thereof;
FIG. 4 is a side elevational view thereof, the opposite side being a mirror image; and
FIG. 5 is an end elevational view thereof, the opposite end being a mirror image.

[56] References Cited

U.S. PATENT DOCUMENTS

1,508,175 9/1924 Fontaine 33/673
2,484,801 10/1949 Anderson 33/169 C
2,677,186 5/1954 Sorensen 33/520
2,907,114 10/1959 Wentling 33/673
2,978,814 4/1961 Burhans 33/520



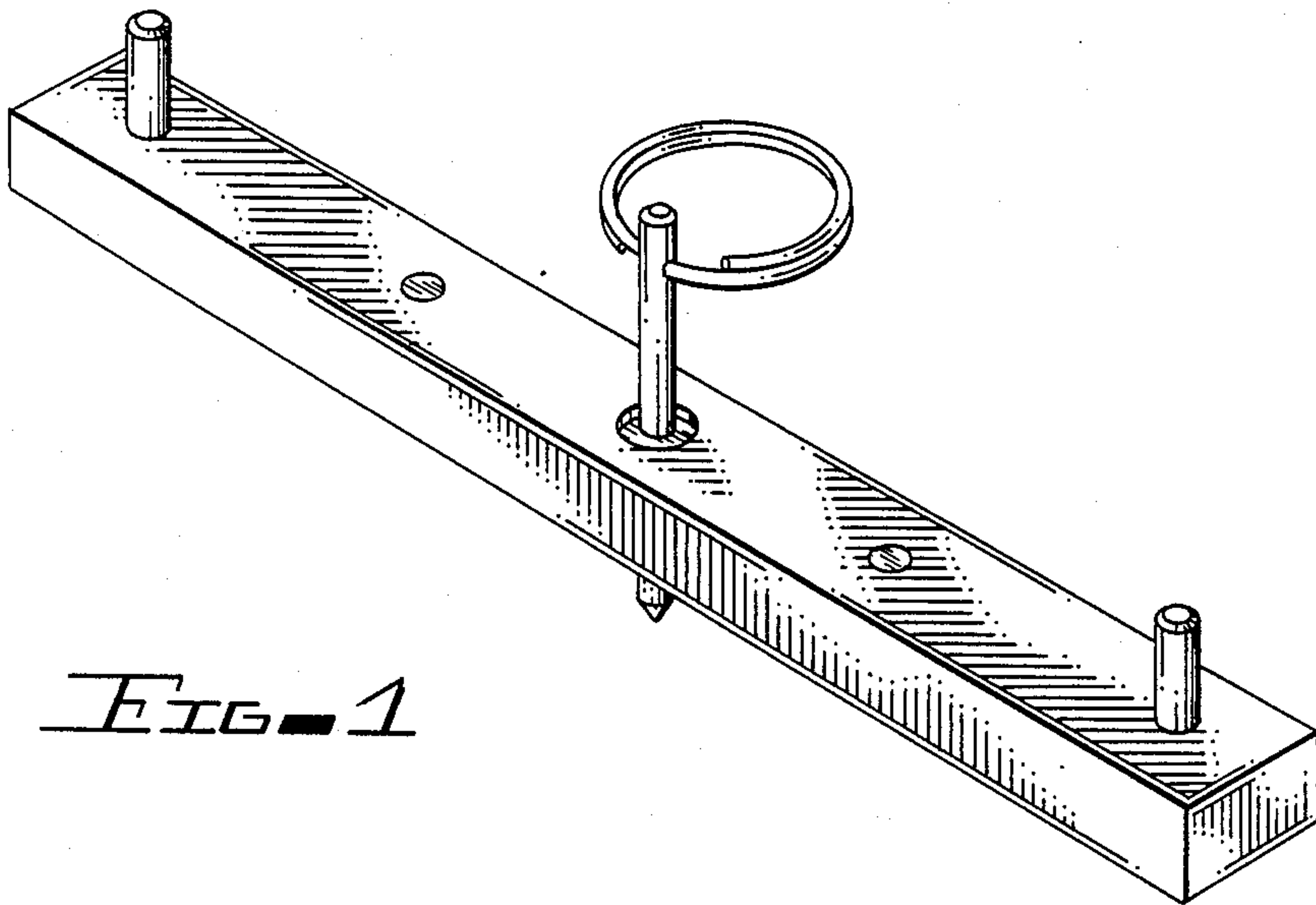


FIG. 1

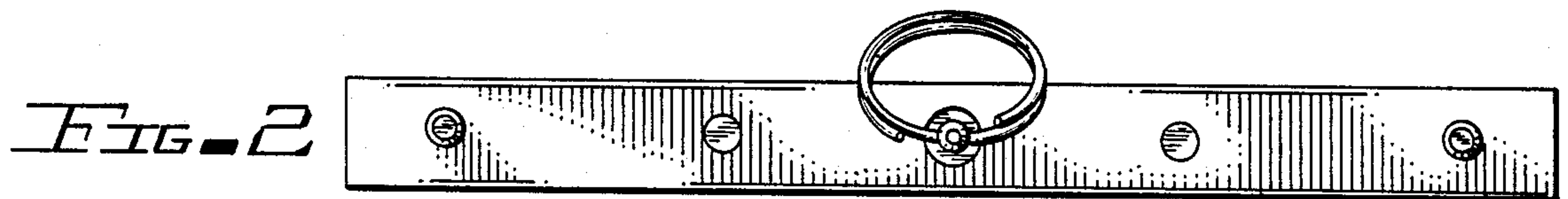


FIG. 2

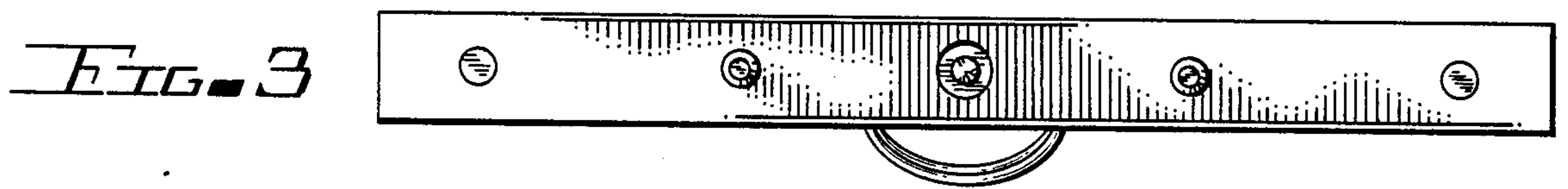


FIG. 3

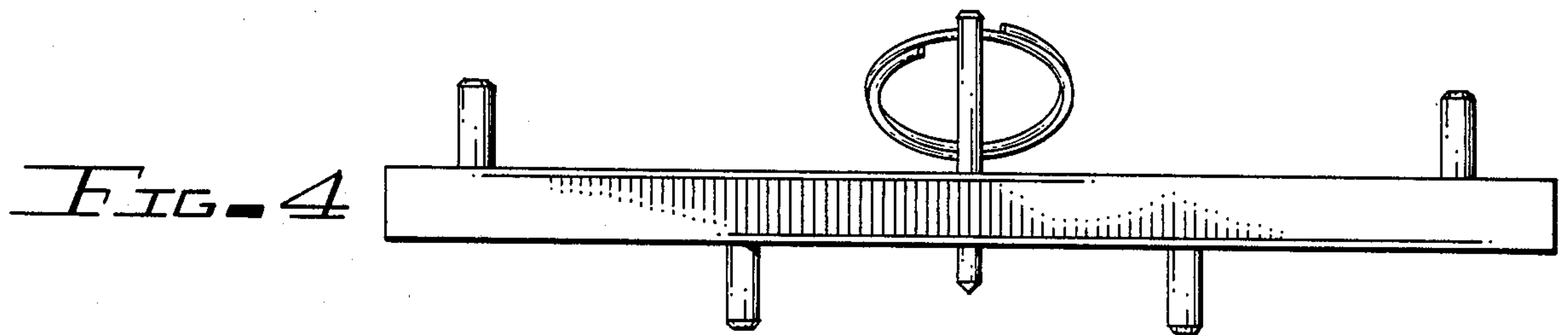


FIG. 4

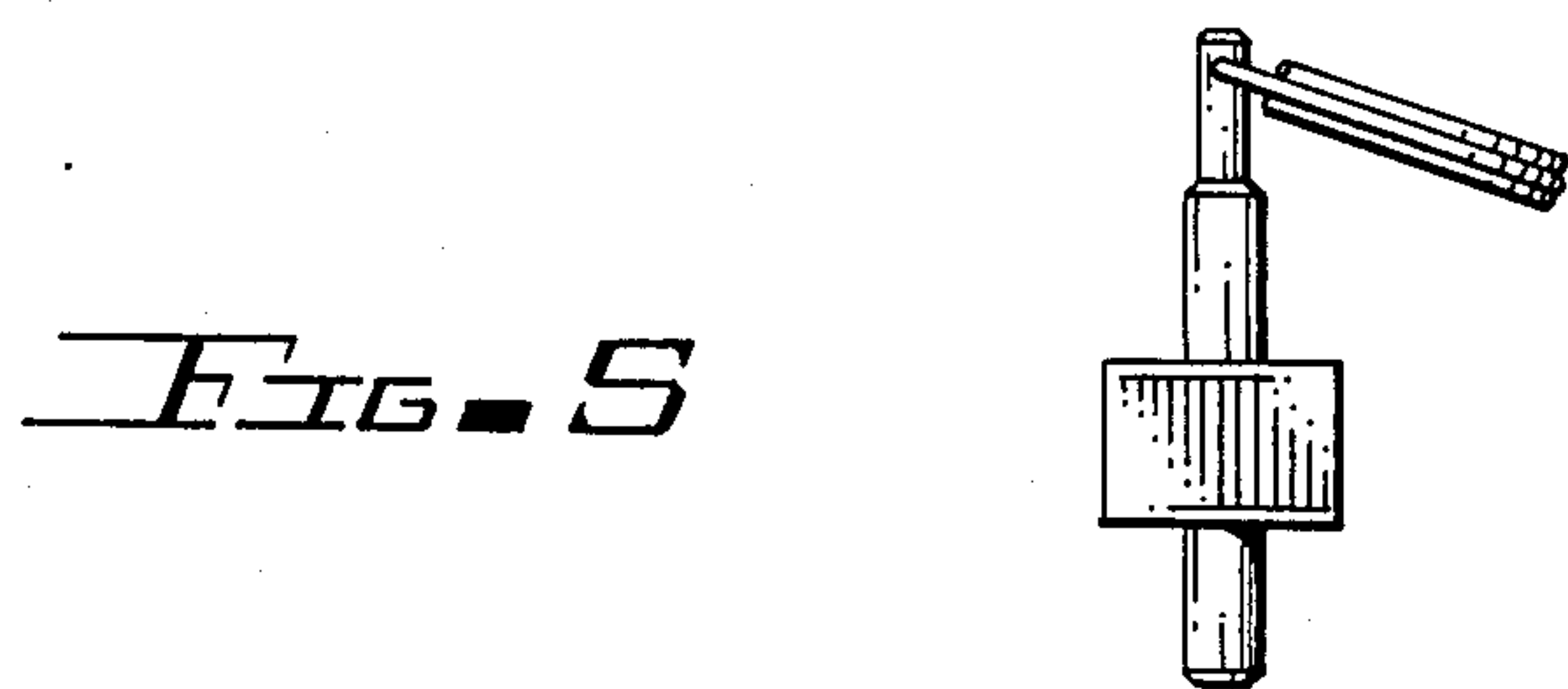


FIG. 5