

[54] THERMOSTAT

[75] Inventors: Gary P. Wereley, Chicago; Hari Matsuda, Evanston, both of Ill.

[73] Assignee: Seatt Corporation, Downers Grove, Ill.

[**] Term: 14 Years

[21] Appl. No.: 909,420

[22] Filed: Sep. 19, 1986

[52] U.S. Cl. D10/50; D10/60

[58] Field of Search D10/49-52; 337/112, 327, 360, 380, 414

[56] References Cited

U.S. PATENT DOCUMENTS

D. 181,303	10/1957	Lombard	D10/49 X
D. 188,347	7/1960	Dreyfuss	D10/51
D. 213,221	1/1969	Plumb	D10/50
D. 256,336	8/1980	Odom	D10/51
D. 264,189	5/1982	Crawford	D10/50
D. 271,086	10/1983	Odom	D10/50

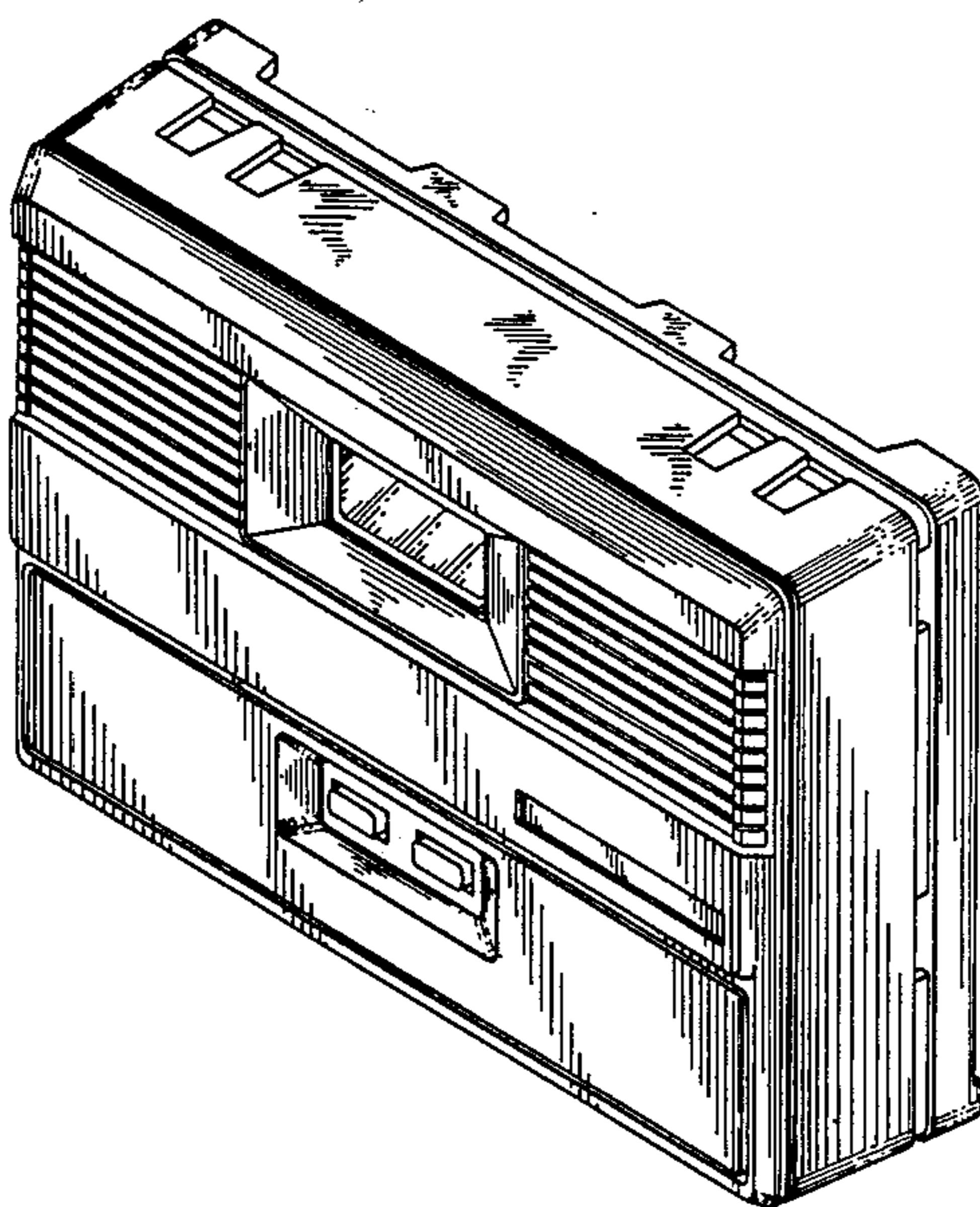
Primary Examiner—Nelson C. Holtje
Attorney, Agent, or Firm—Niro, Scavone, Haller & Niro, Ltd.

[57] CLAIM

The ornamental design for thermostat, as shown.

DESCRIPTION

FIG. 1 is a front and top-right perspective view of a thermostat showing our new design;
 FIG. 2 is a left side elevational view thereof;
 FIG. 3 is a bottom plan view thereof;
 FIG. 4 is a rear elevational view thereof;
 FIG. 5 is a front elevational view thereof with the cover plate in an open position;
 FIG. 6 is a front and top-right perspective view of another embodiment of our new design of FIGS. 1-5;
 FIG. 7 is a left side elevational view thereof;
 FIG. 8 is a bottom plan view thereof;
 FIG. 9 is a rear elevational view thereof;
 FIG. 10 is a front elevational view thereof with the cover plate in an open position.



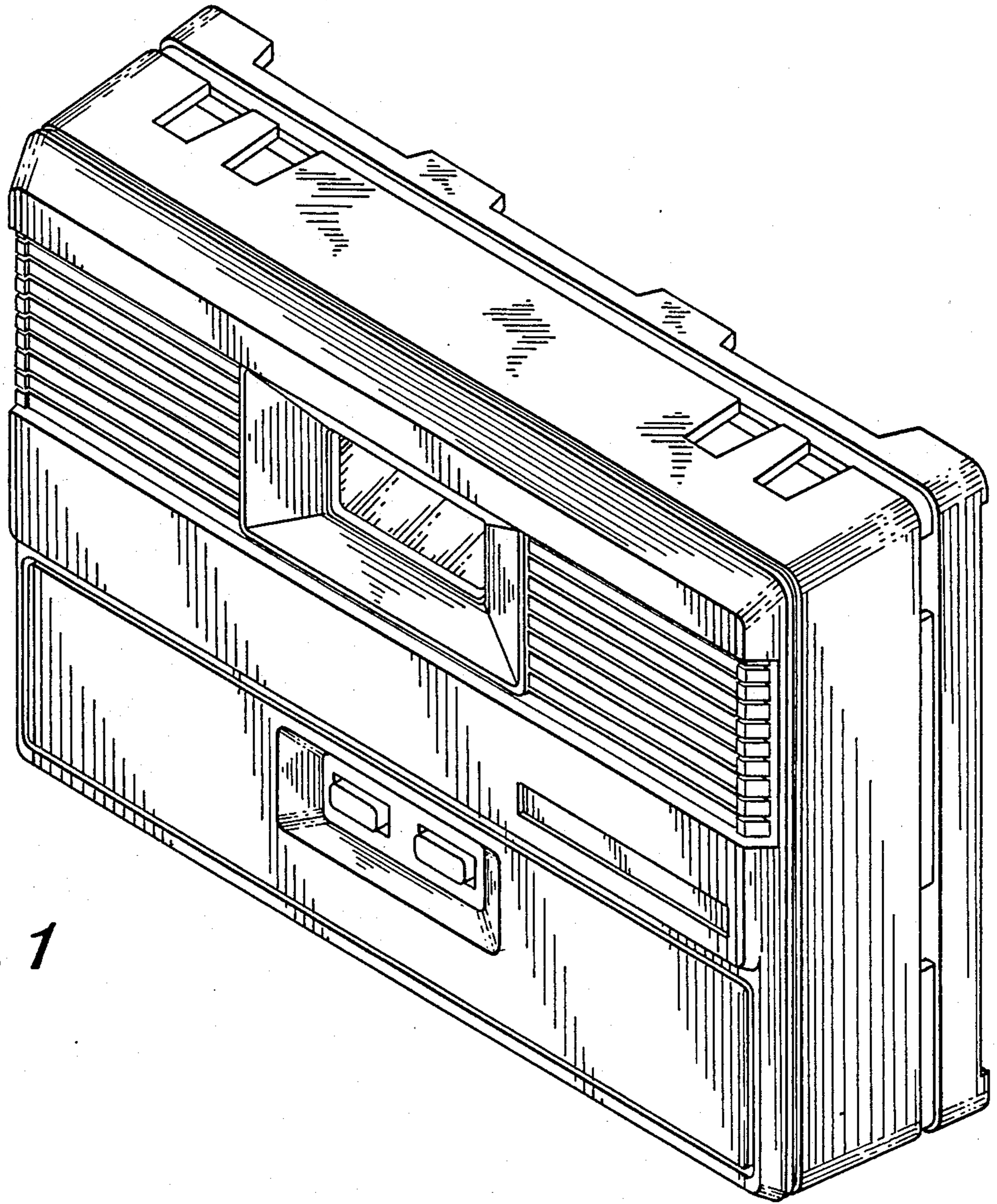


FIG. 1

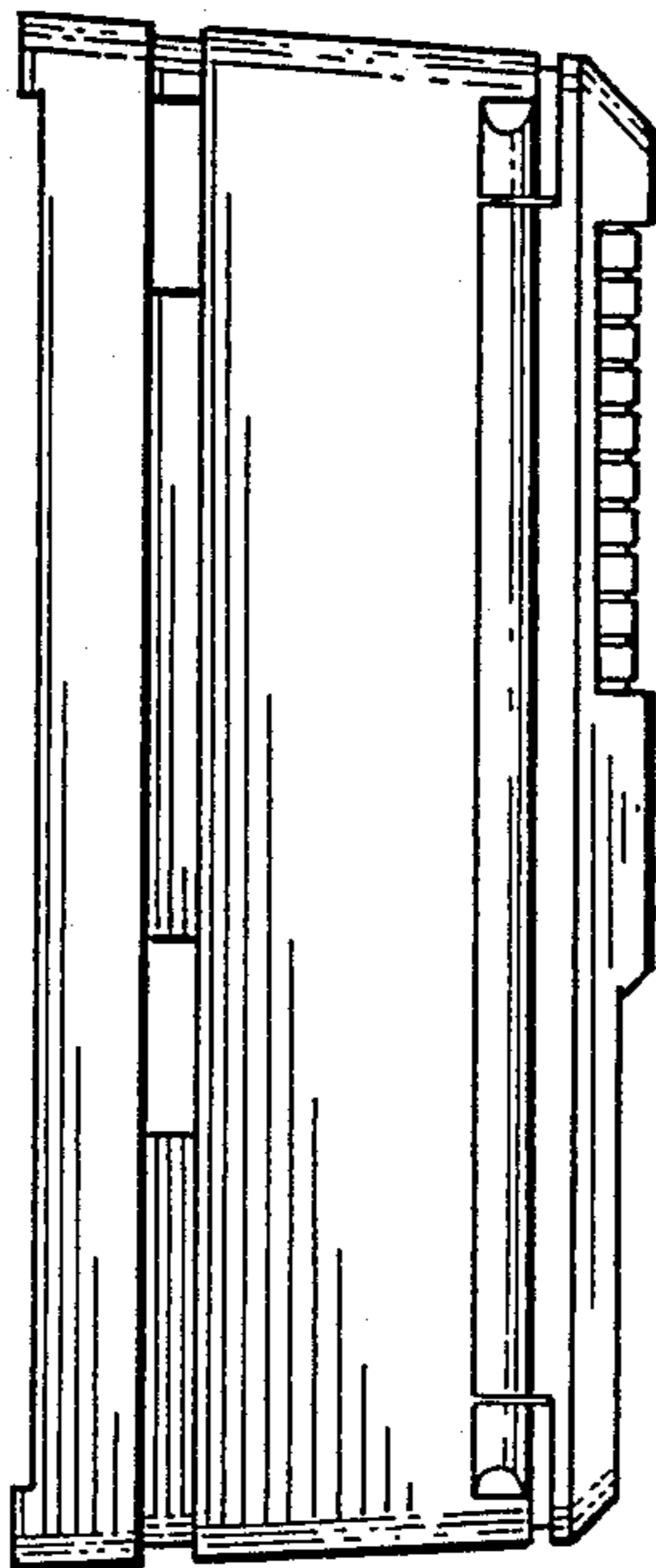


FIG. 2

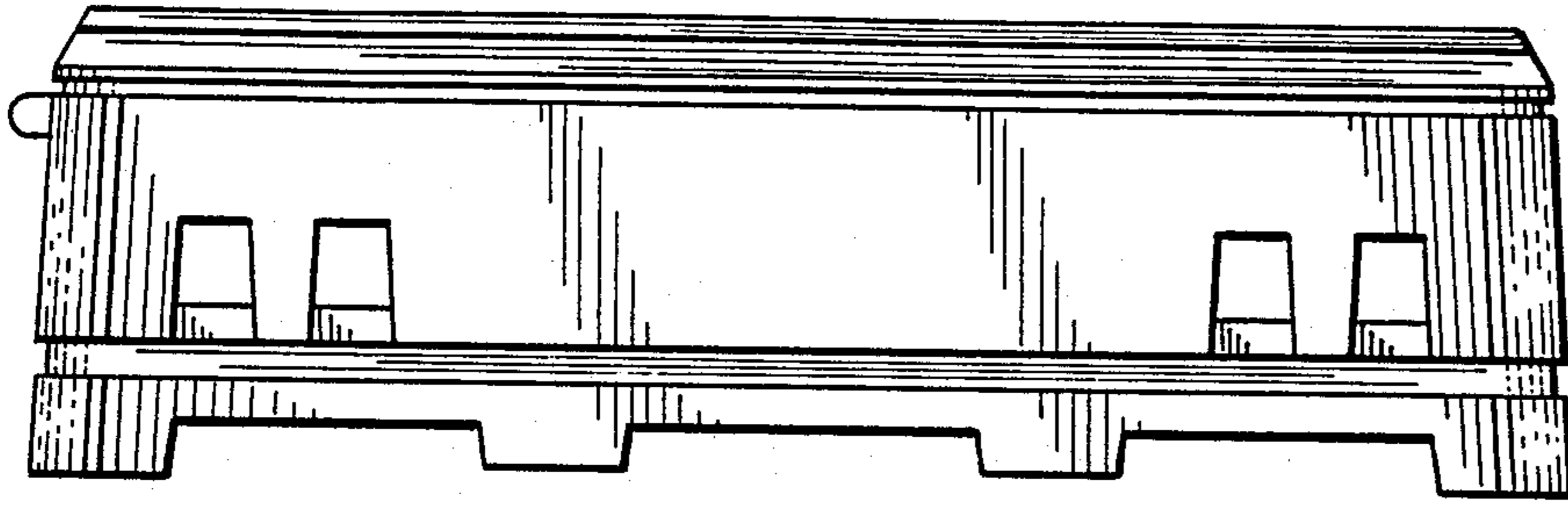


FIG. 3

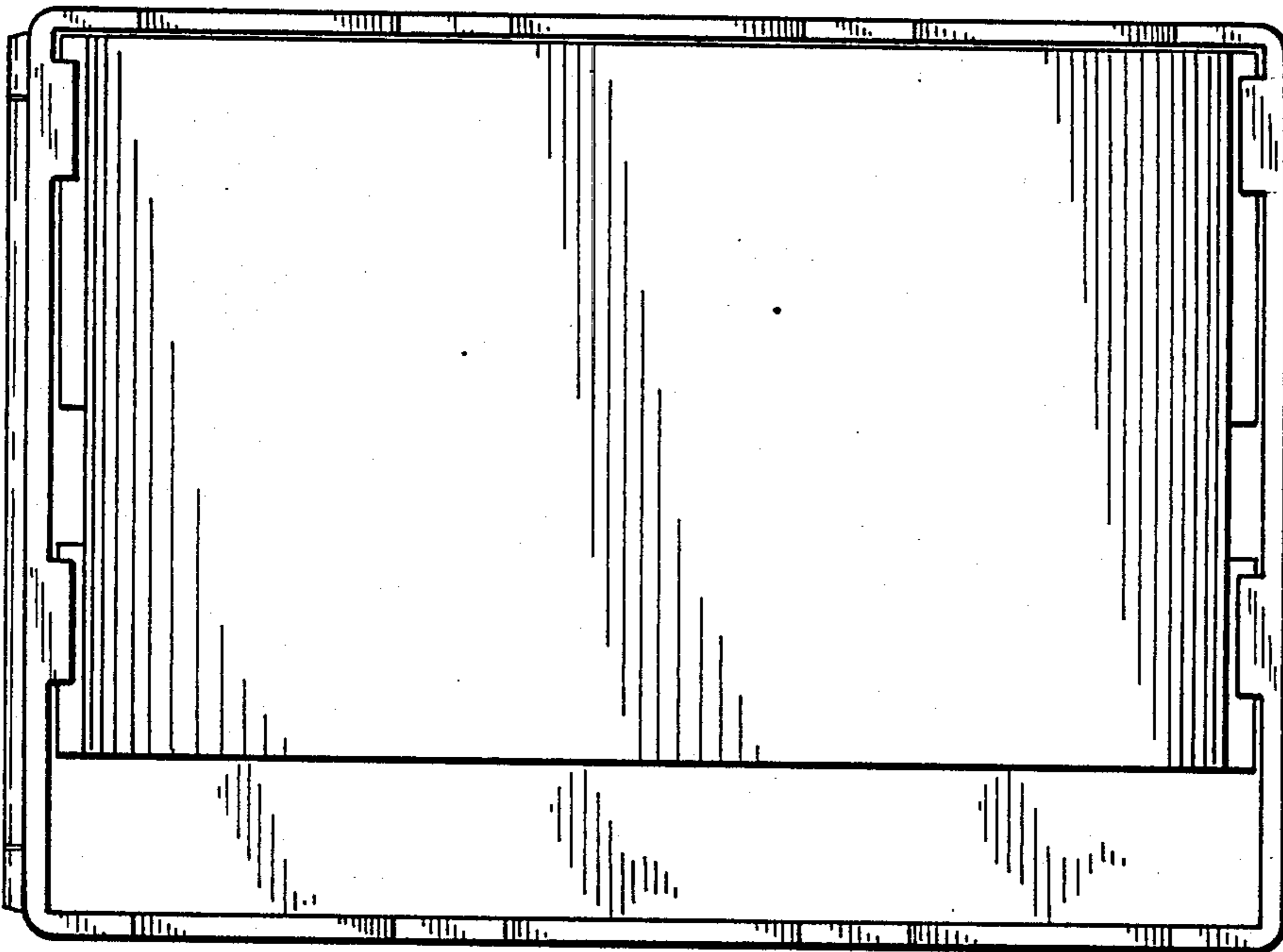


FIG. 4

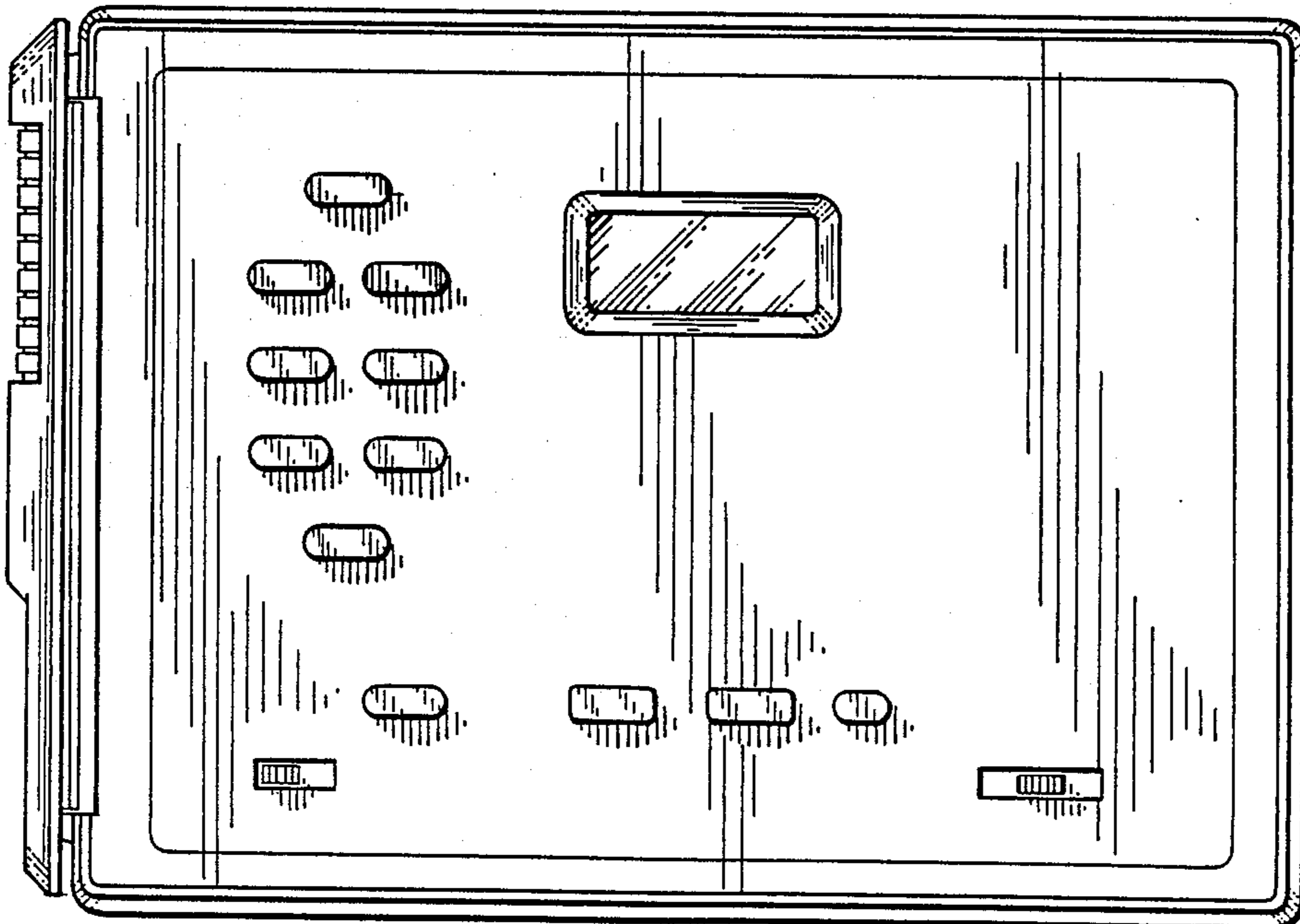


FIG. 5

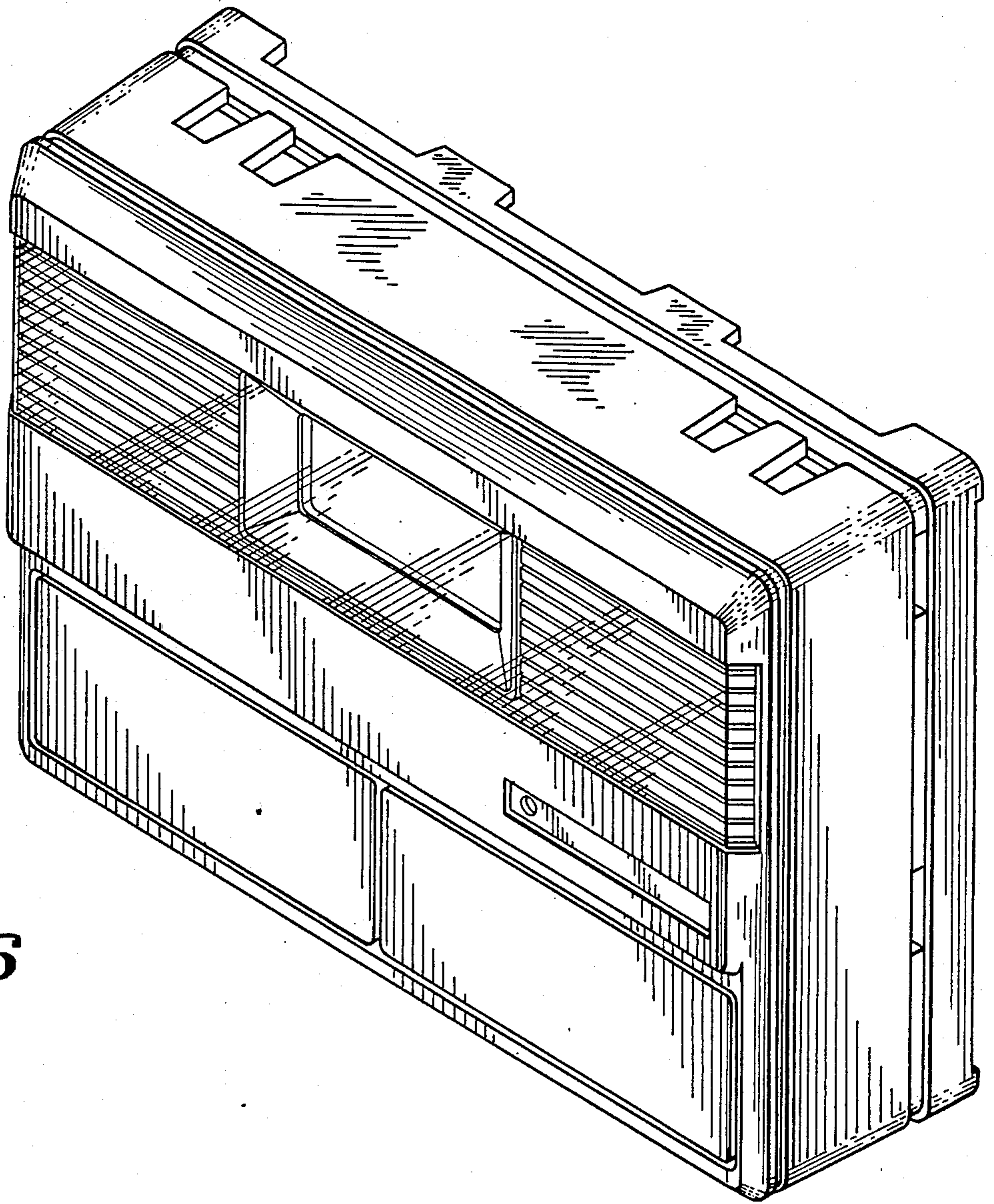


FIG. 6

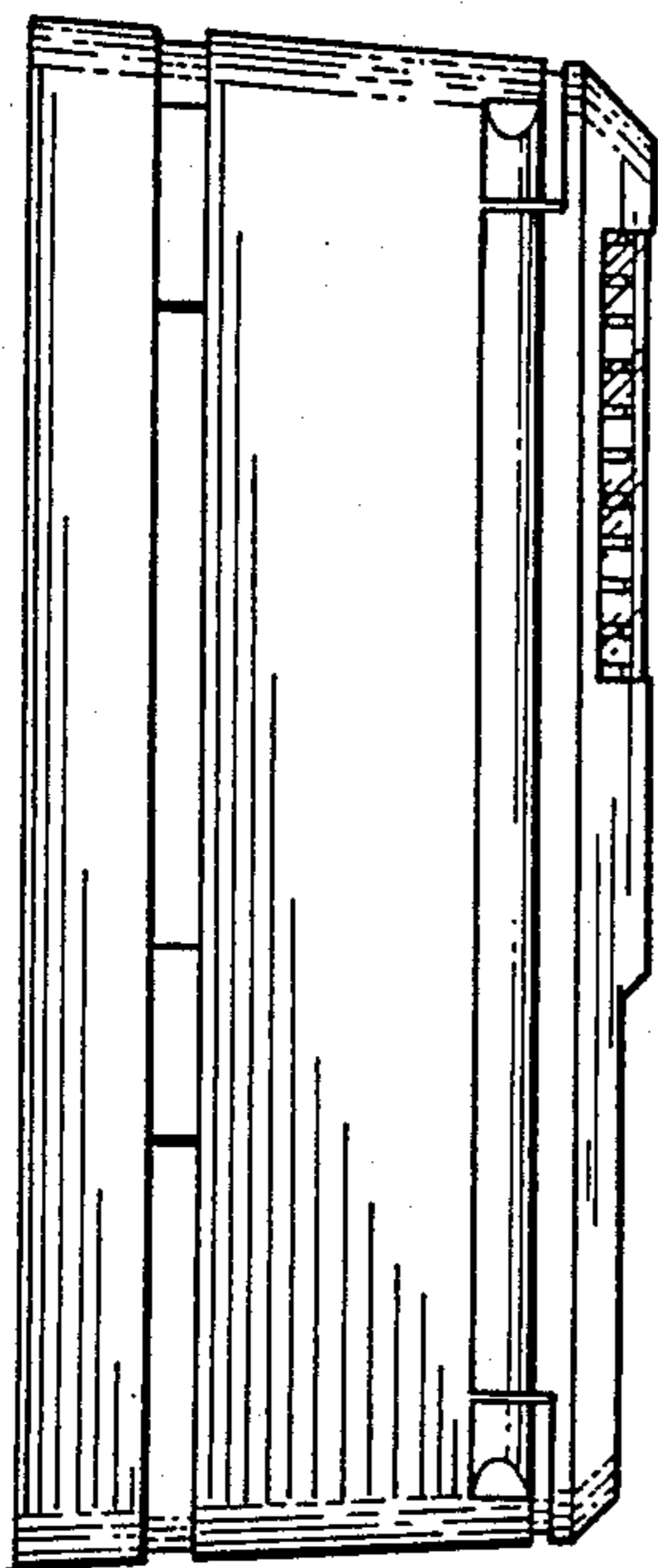


FIG. 7

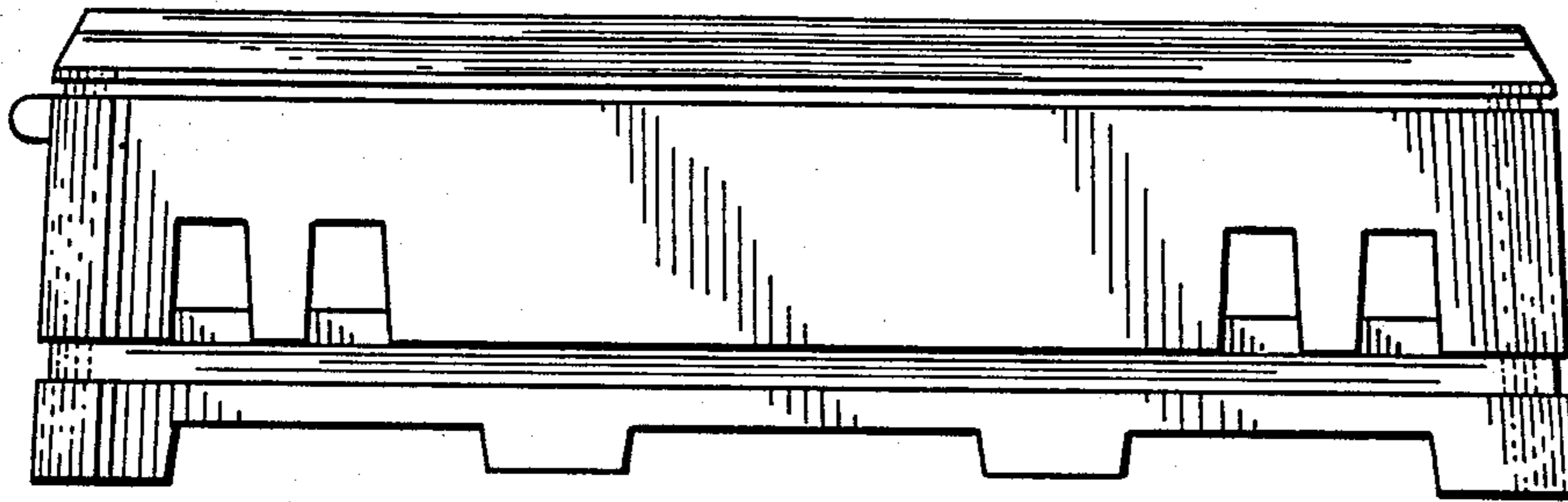


FIG. 8

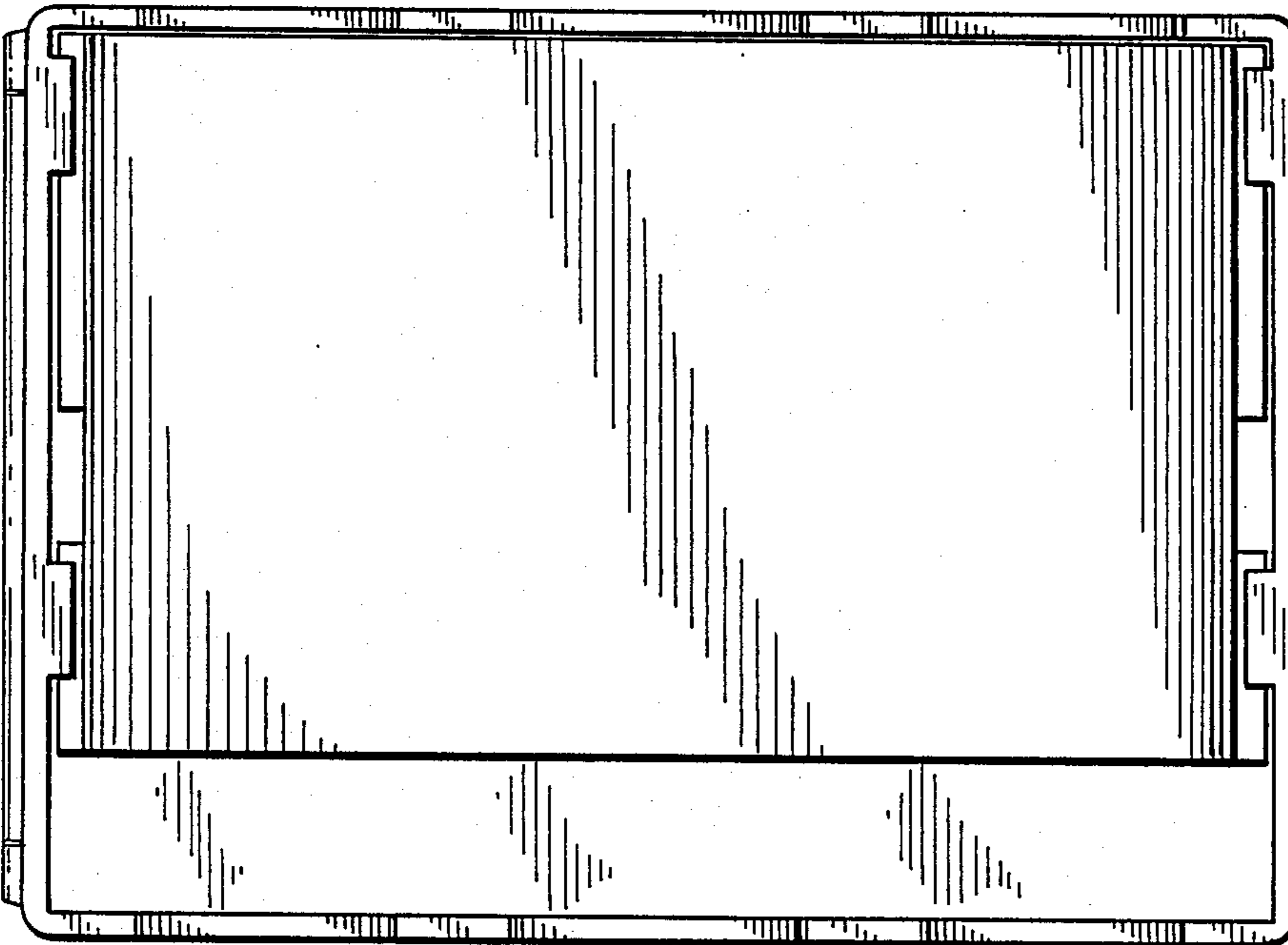


FIG. 9

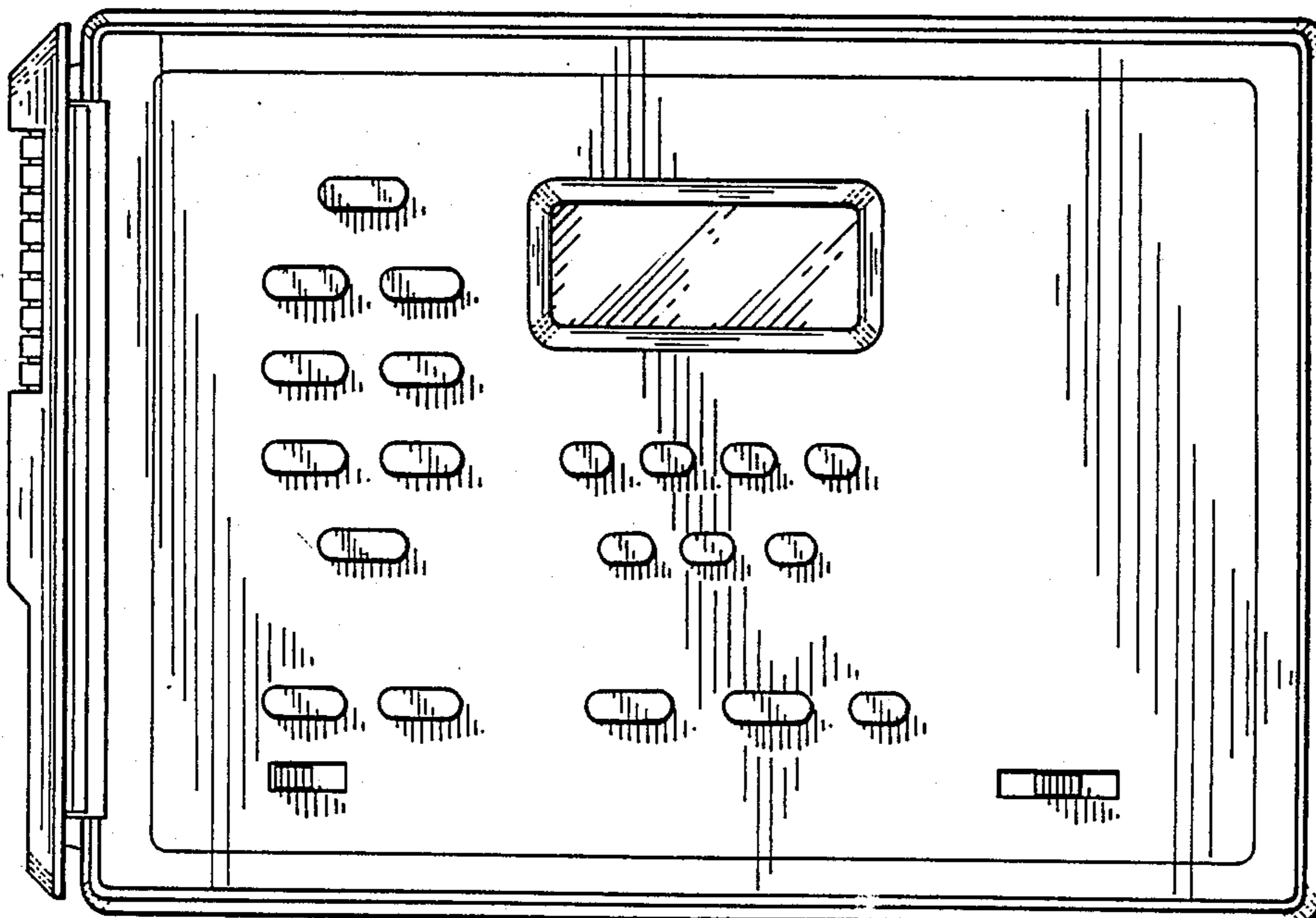


FIG. 10