

[54] COFFEEMAKER OR THE LIKE

[75] Inventors: Kwan W. Chan, West Point; Detlef M. T. von der Luehe, Cimbria Court, both of Hong Kong

[73] Assignee: Melitta, Inc., Cherry Hill, N.J.

[\*\*] Term: 14 Years

[21] Appl. No.: 869,026

[22] Filed: May 30, 1986

[52] U.S. Cl. .... D7/309; D7/312

[58] Field of Search ..... D7/305, 306, 307, 300, D7/312, 397, 399, 309

[56] References Cited

U.S. PATENT DOCUMENTS

D. 135,000	2/1943	Norris	.....	D7/307
D. 136,370	9/1943	Norris	.....	D7/307
D. 145,838	10/1946	Florian	.....	D7/300
D. 229,897	1/1974	Martin	.....	D7/309
D. 234,284	2/1975	Stuetzer et al.	.....	D7/309
D. 239,757	5/1976	Martin	.....	D7/309
D. 240,386	7/1976	Stuetzer	.....	D7/309
D. 241,219	8/1976	Martin	.....	D7/309
D. 243,499	3/1977	Julkenbeck	.....	D7/309
D. 248,720	8/1978	Sato et al.	.....	D7/309
D. 248,721	8/1978	Sato et al.	.....	D7/309

D. 250,316	11/1978	Painter et al.	.....	D7/309
D. 253,572	12/1979	Rinaldi	.....	D7/309
D. 254,285	2/1980	Lee et al.	.....	D7/309
D. 255,529	6/1980	Dziekonski	.....	D7/309
D. 257,475	11/1980	von der Luehe	.....	D7/309
D. 261,344	10/1981	Maass	.....	D7/309
D. 278,200	4/1985	Dahlberg	.....	D7/312
3,592,125	7/1971	Tolmie	.....	99/307
3,736,155	5/1973	Martin	.....	99/282
4,083,295	4/1978	Hollingsworth	.....	99/283
4,356,381	10/1982	Flaherty, Jr. et al.	.....	D7/309 X

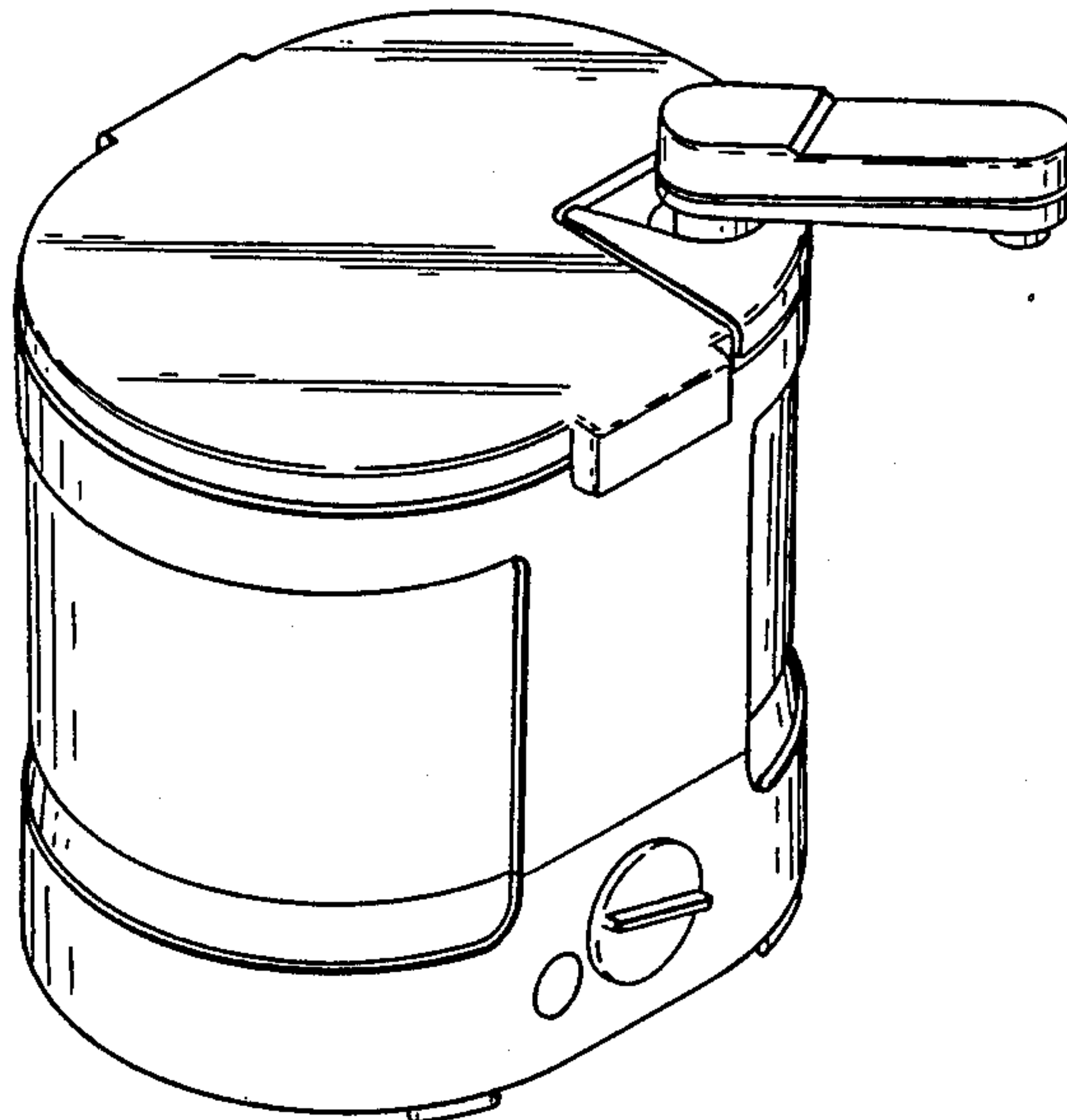
Primary Examiner—Winifred E. Herrmann  
Attorney, Agent, or Firm—Jacob Trachtman

[57] CLAIM

The ornamental design for a coffeemaker or the like, as shown and described.

DESCRIPTION

FIG. 1 is a perspective view of a coffeemaker or the like showing our new design;  
FIG. 2 is a front elevational view thereof;  
FIG. 3 is a rear elevational view thereof;  
FIG. 4 is a top plan view thereof;  
FIG. 5 is a bottom plan view thereof;  
FIG. 6 is a right end view thereof;  
FIG. 7 is a left end view thereof; and  
FIG. 8 is a perspective view similar to that of FIG. 1 with the nozzle retracted.



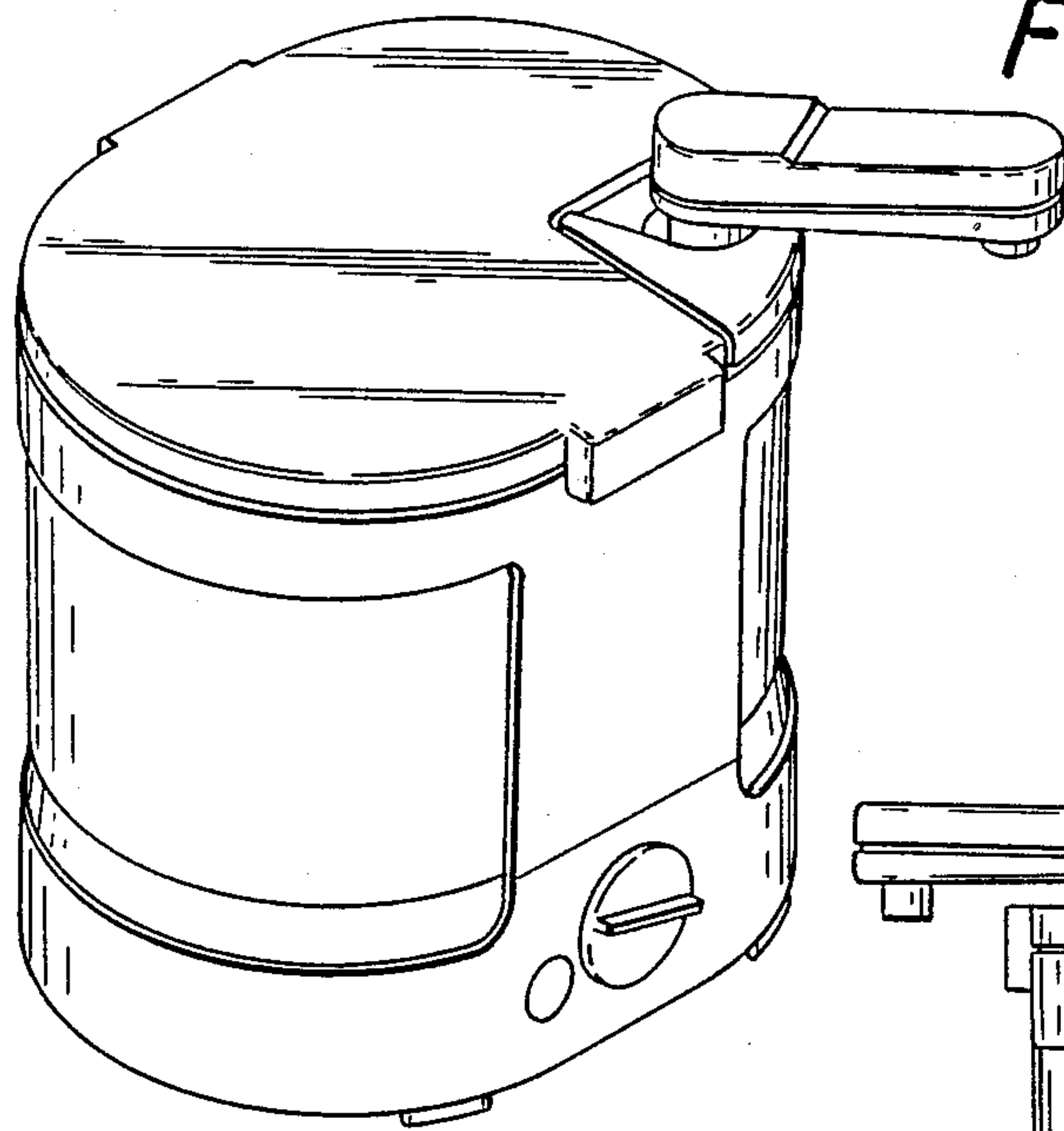


FIG. 1

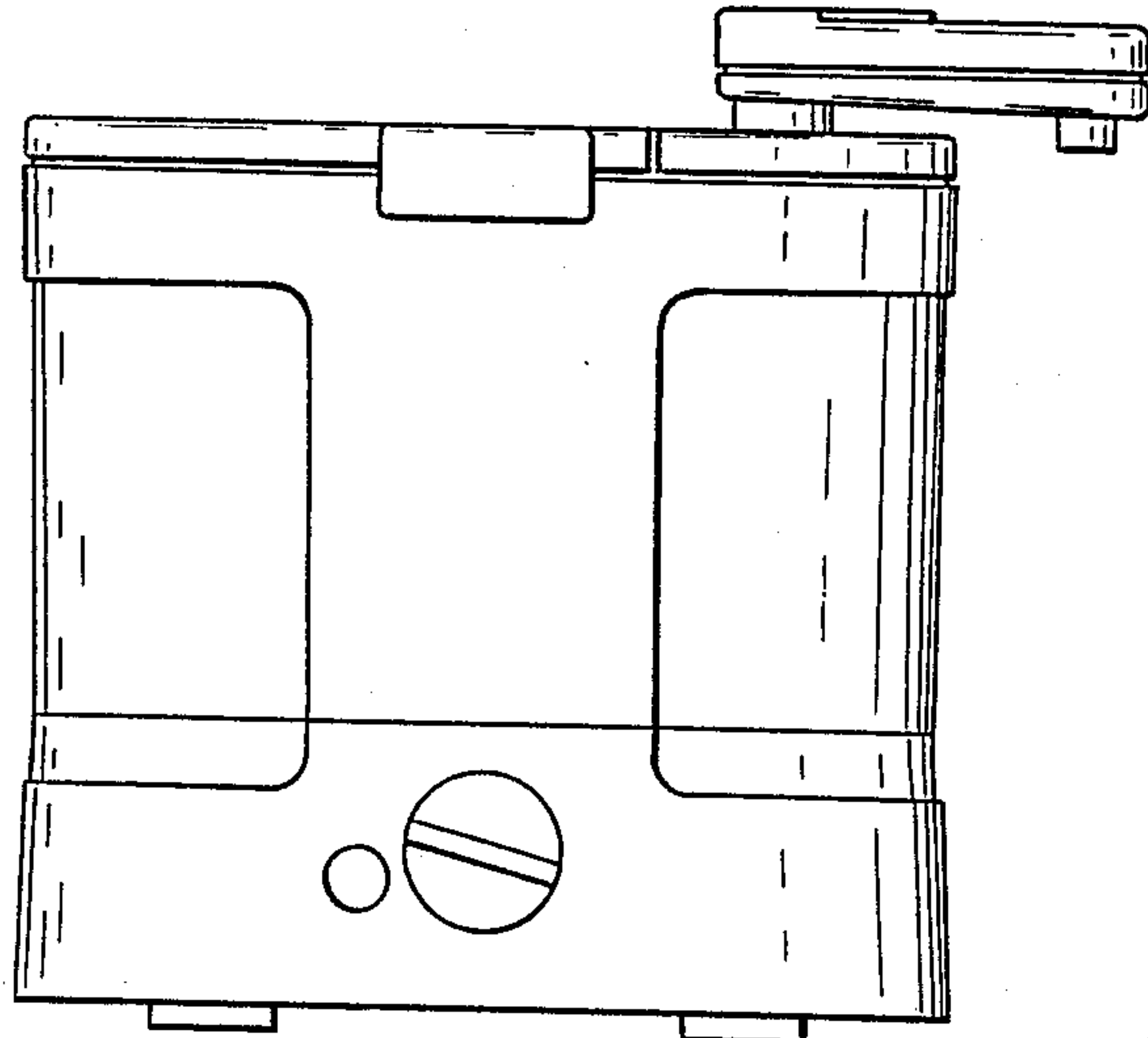


FIG. 2

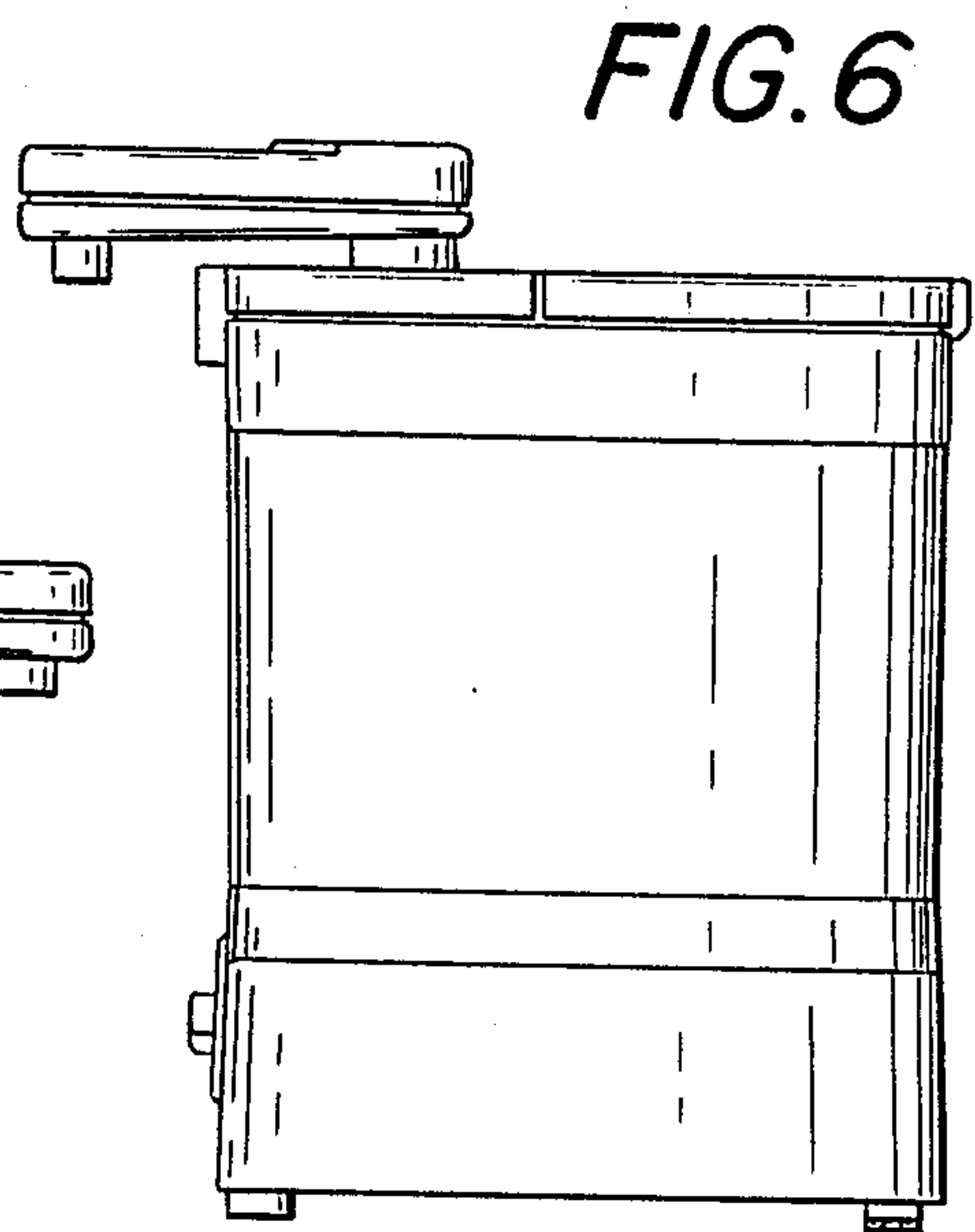


FIG. 6

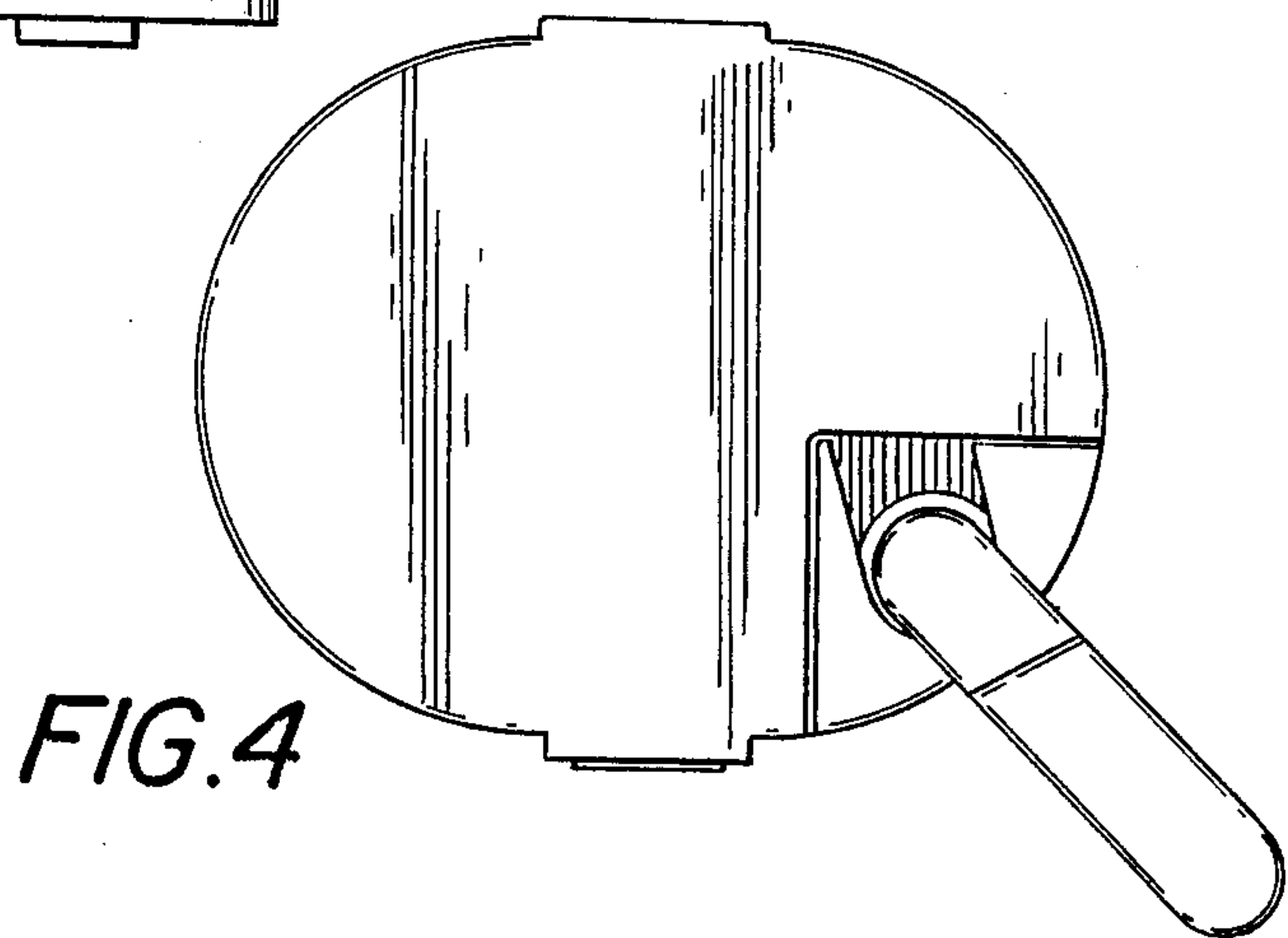


FIG. 4

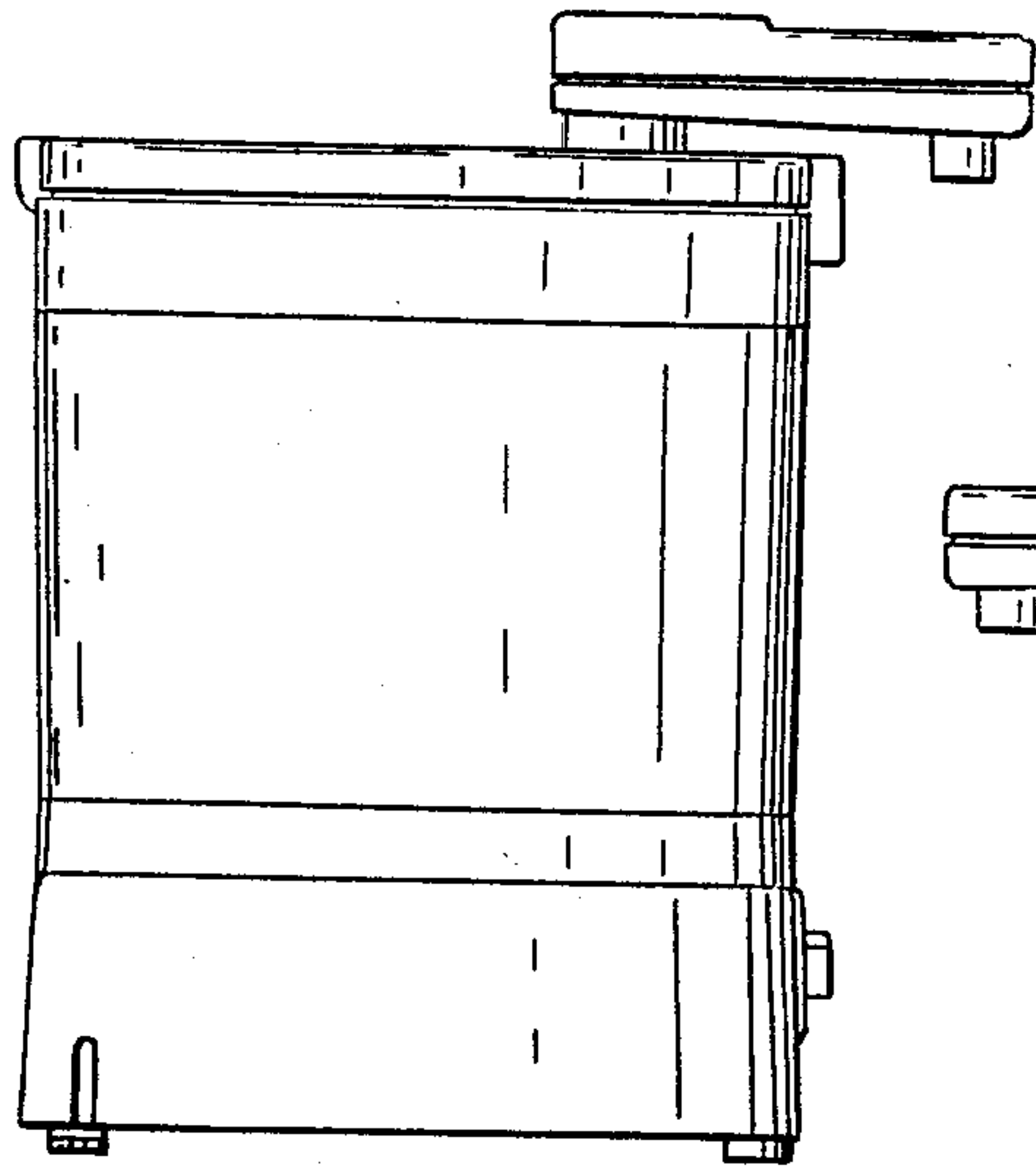


FIG. 7

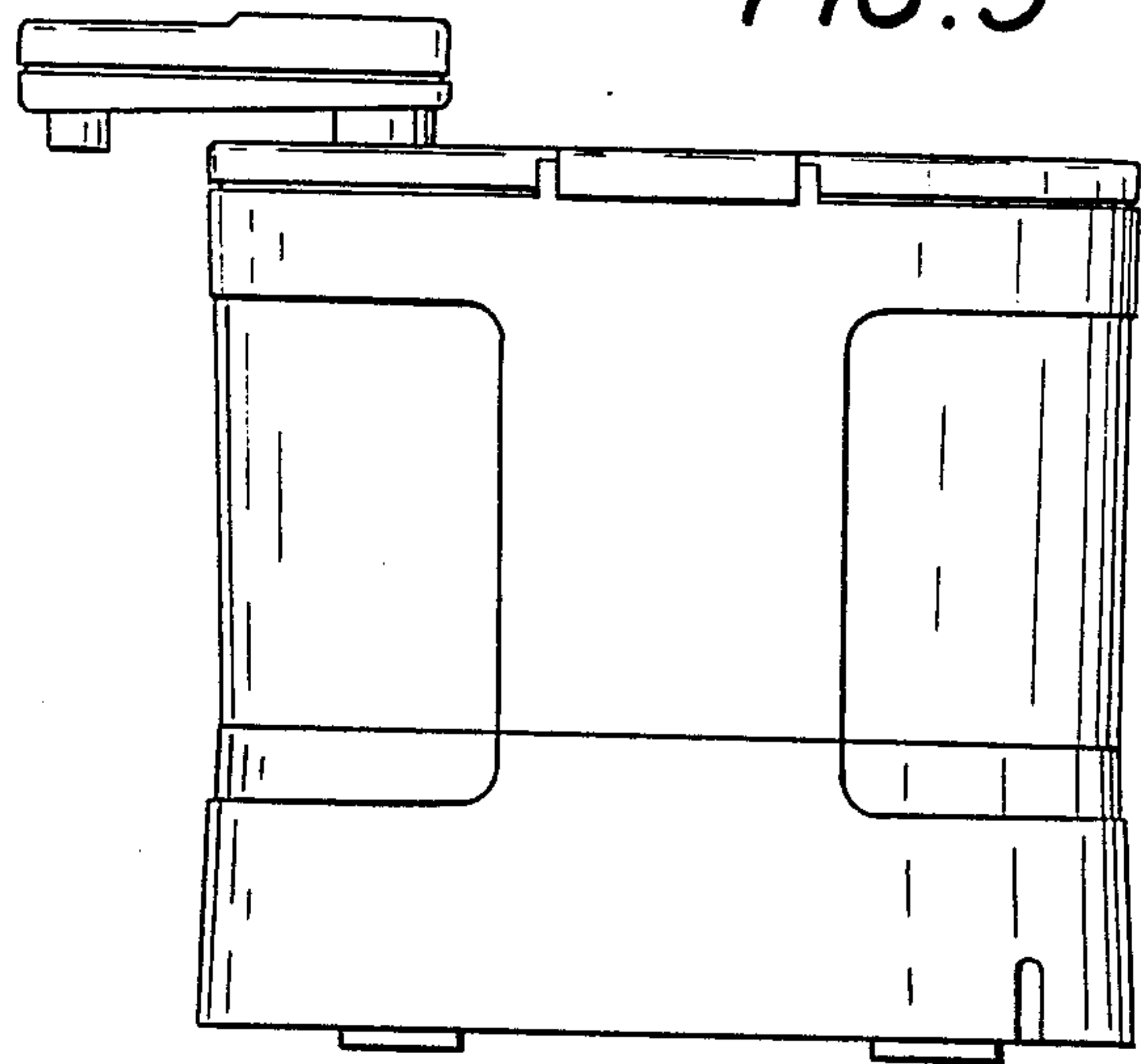


FIG. 3

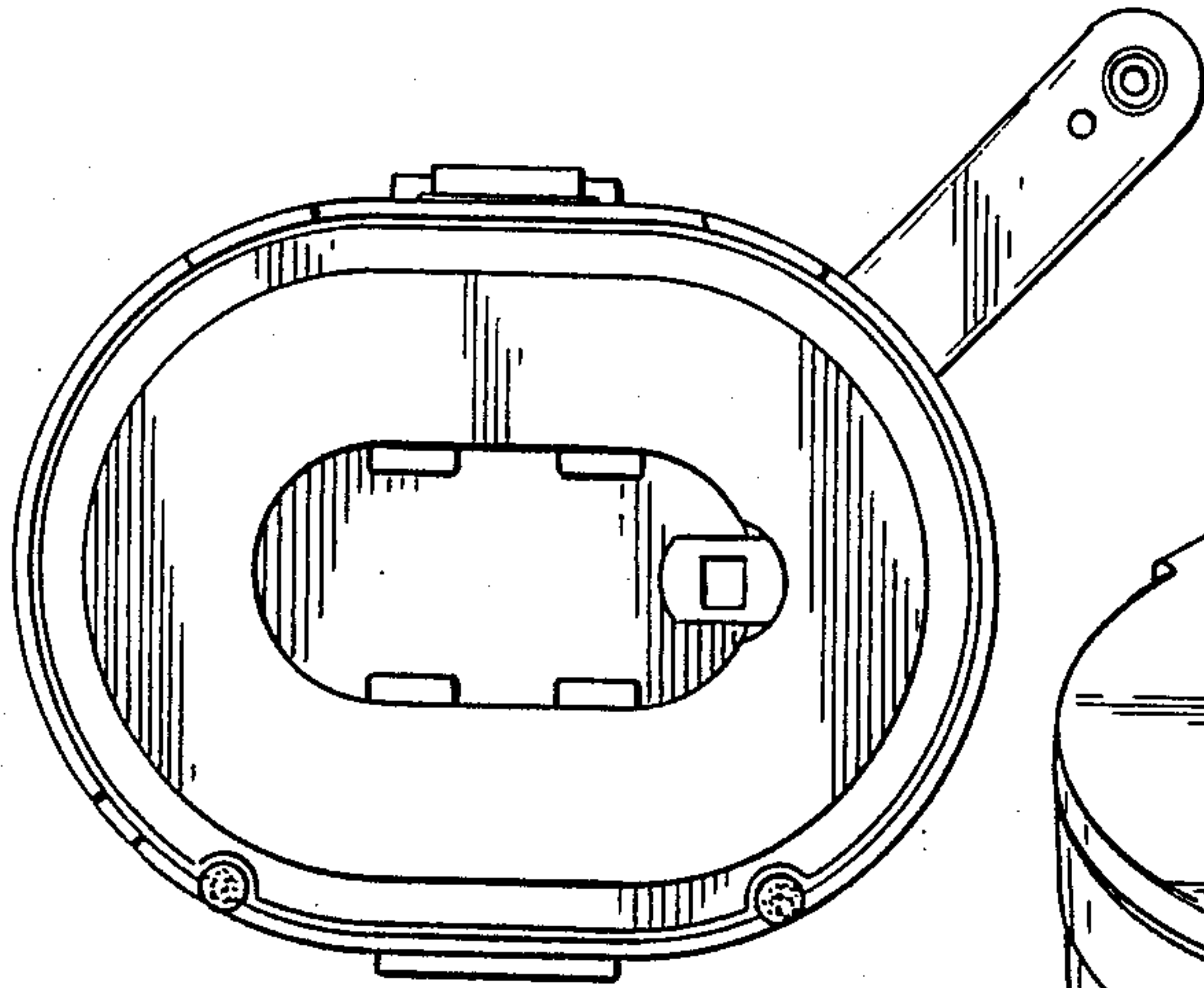


FIG. 5

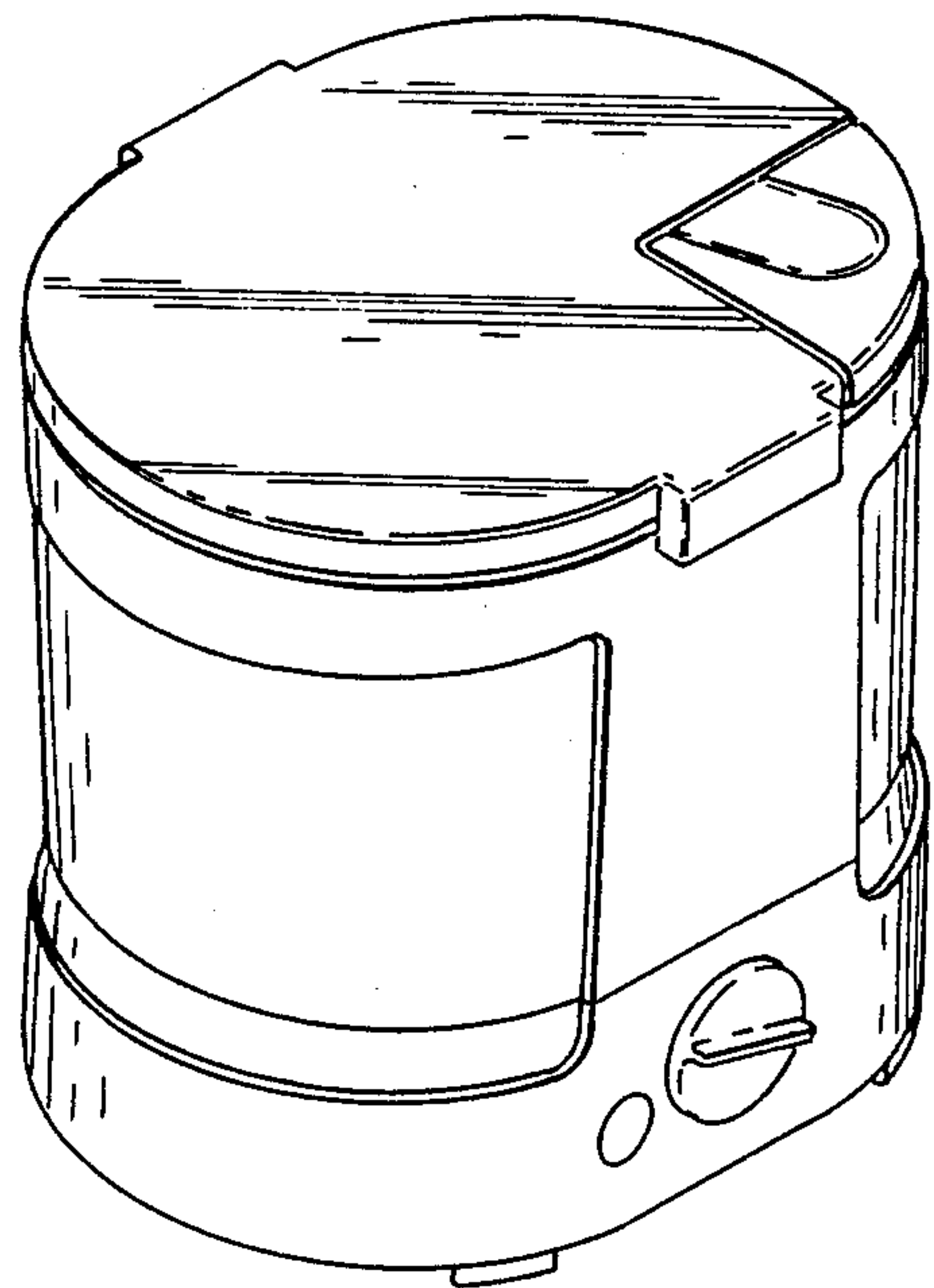


FIG. 8