

[54] **T-TOWER BEVERAGE DISPENSER**

[75] **Inventors:** Alvin H. Schechter, New York, N.Y.;
Carl R. Thompson, Stratford, Conn.

[73] **Assignee:** The Coca-Cola Company, Atlanta,
Ga.

[**] **Term:** 14 Years

[21] **Appl. No.:** 841,749

[22] **Filed:** Mar. 5, 1986

[52] **U.S. Cl.** D7/308

[58] **Field of Search** 141/198, 207, 234, 95,
141/361; 222/129.1-129.4, 132; D7/305, 311,
306-308, 300, 398, 397, 312; D20/4, 5

[56] **References Cited**

U.S. PATENT DOCUMENTS

D. 188,909	9/1960	Maxson	D7/309
D. 202,688	11/1965	Cornelius	D7/311
D. 215,045	8/1969	Benjamin	D7/309
D. 215,259	11/1969	Syverson	D7/308
D. 218,083	7/1970	Hartley	D7/308
D. 231,575	4/1974	Syverson	D7/308
D. 234,832	4/1975	Syverson	D7/308
D. 234,833	4/1975	Syverson	D7/308
D. 236,391	8/1975	Audette	D7/311
D. 238,721	2/1976	Buffington	D7/308
D. 242,084	10/1976	Moreton	D7/311
D. 242,498	11/1976	Syverson	D7/308
D. 254,255	2/1980	Kiser	D7/308
D. 258,455	3/1981	Stafford	D20/4
D. 259,725	6/1981	Wasserstrom et al.	D7/308
D. 260,996	9/1981	Cornett	D7/308
3,331,536	7/1967	Lorenzo	222/129.1 X

OTHER PUBLICATIONS

Restaurants & Institutions, June 1, 1982, p. 62-0, Cornelius Co. Adv./SF-1 Valve, lower left Dispenser.

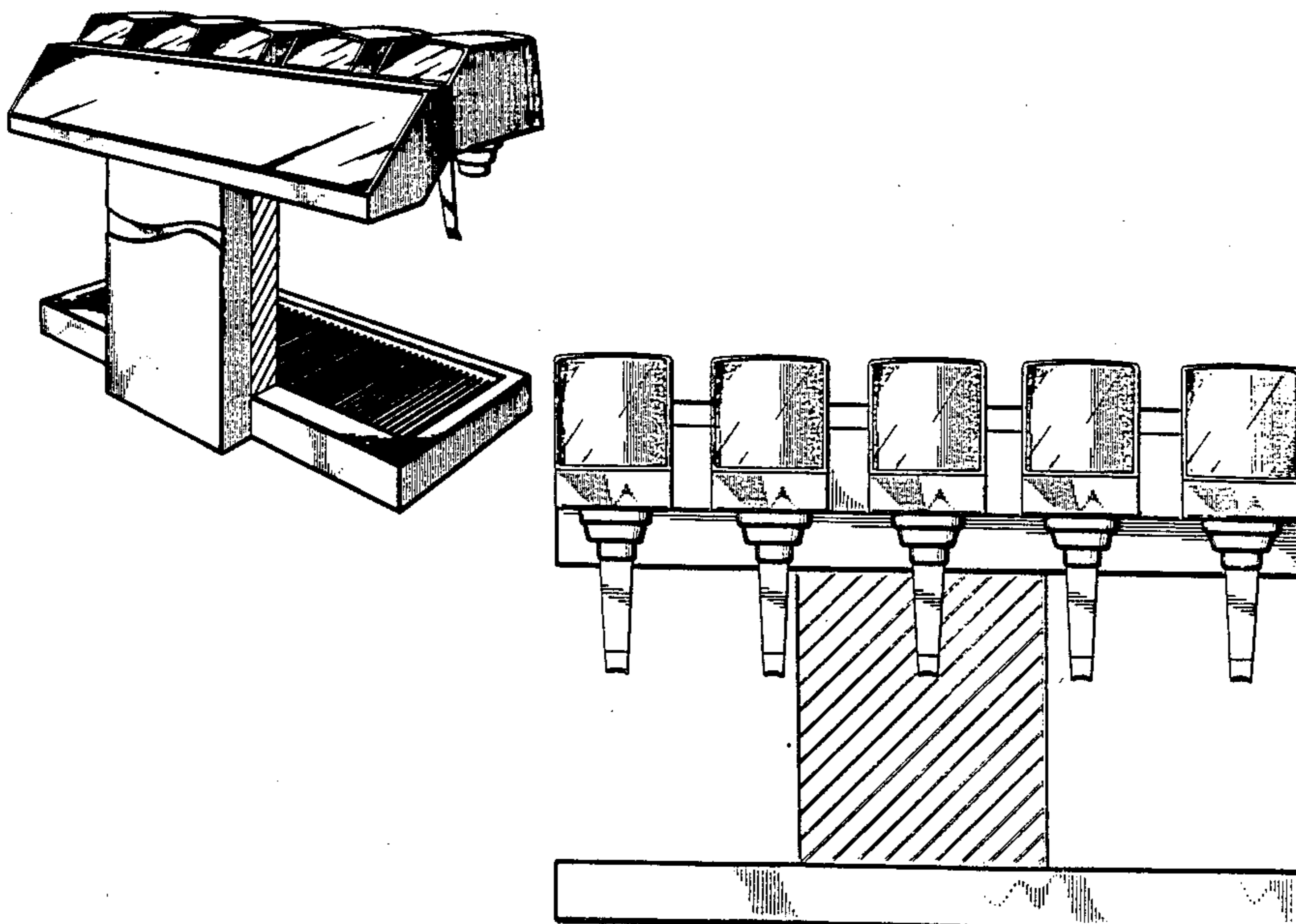
Primary Examiner—Winifred E. Herrmann
Attorney, Agent, or Firm—Thomas R. Boston; Dexter Brooks

[57] **CLAIM**

The ornamental design for a T-tower beverage dispenser, as shown and described.

DESCRIPTION

FIG. 1 is a top front right side perspective view of a T-tower beverage dispenser showing our new design; FIG. 2 is a left side elevational view thereof; and FIG. 3 is a right side elevational view thereof; FIG. 4 is a front elevational view thereof; FIG. 5 is a rear elevational view thereof; FIG. 6 is a top plan view thereof; and FIG. 7 is a bottom plan view thereof. FIG. 8 is top front right side perspective view of a first modified form of our new design; FIG. 9 is a left side elevational view thereof; FIG. 10 is a right side elevational view thereof; FIG. 11 is a front elevational view thereof; FIG. 12 is a rear elevational view thereof; FIG. 13 is a top plan view thereof; and FIG. 14 is bottom plan view thereof. FIG. 15 is a top front right side perspective view of a second modified form of our new design; FIG. 16 is a left side elevational view thereof; FIG. 17 is a right side elevational view thereof; FIG. 18 is a front elevational view thereof; FIG. 19 is a rear elevational view thereof; FIG. 20 is a top plan view thereof; and FIG. 21 is a bottom plan view thereof.



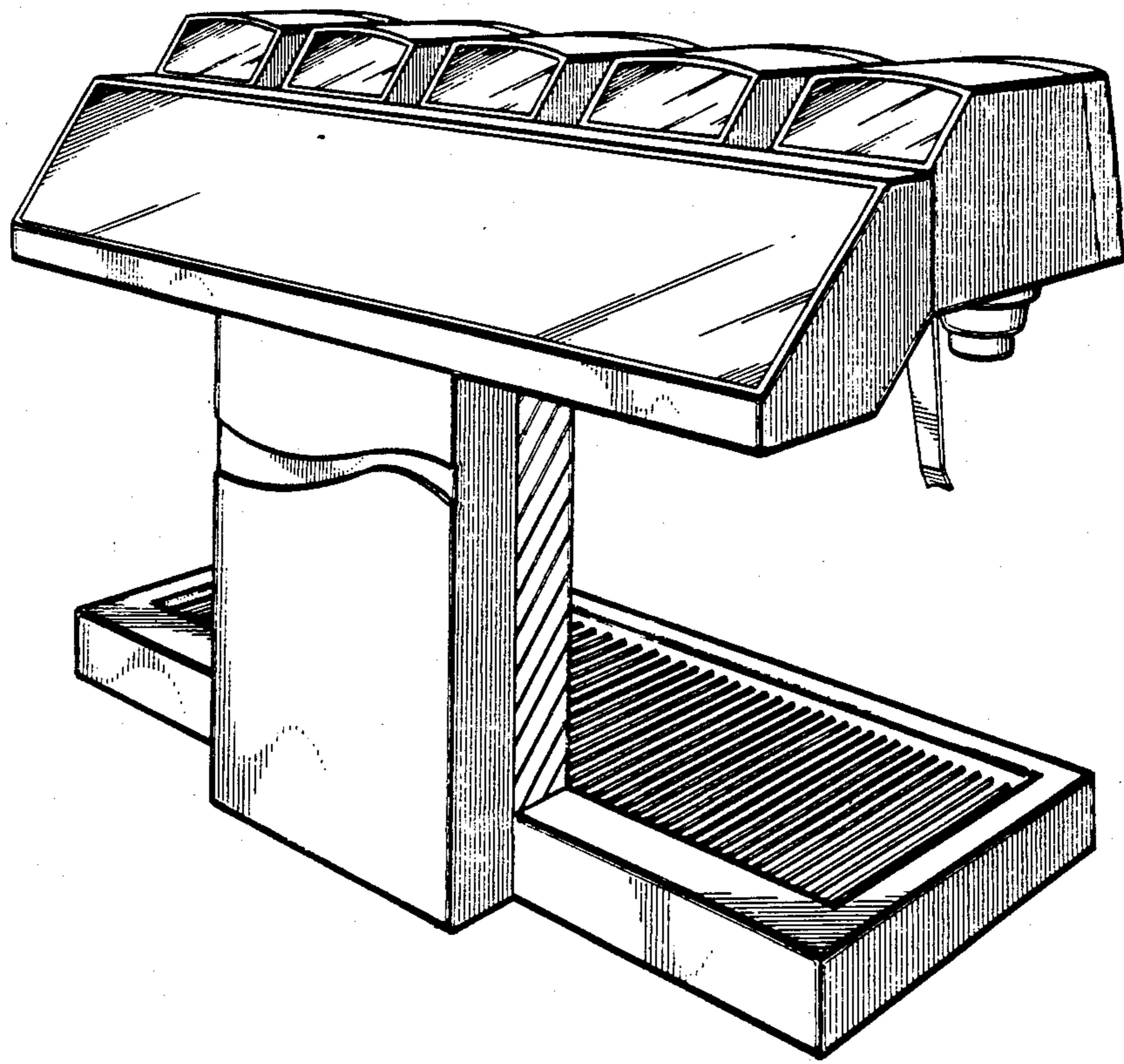


FIG 1

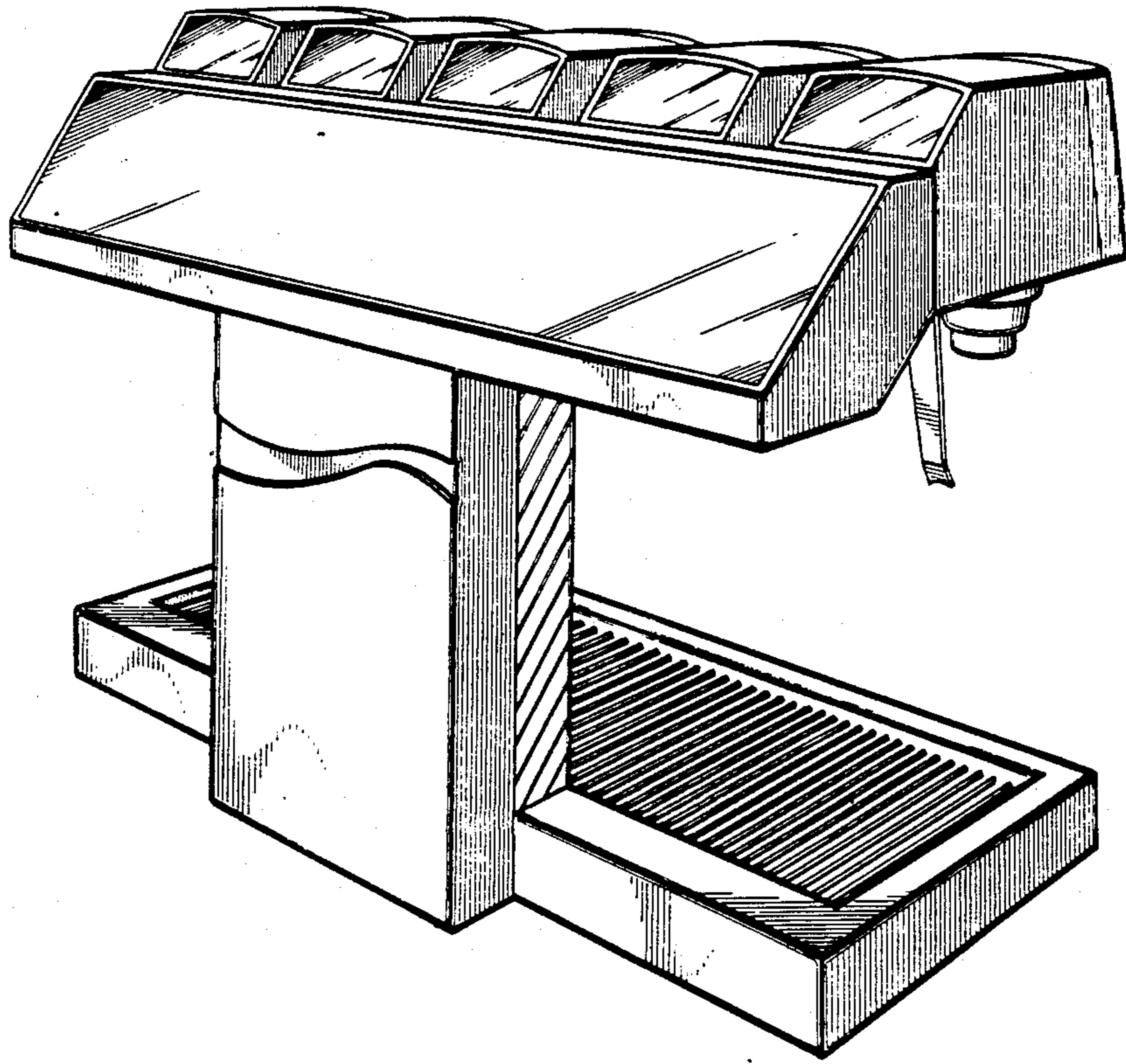


FIG 1

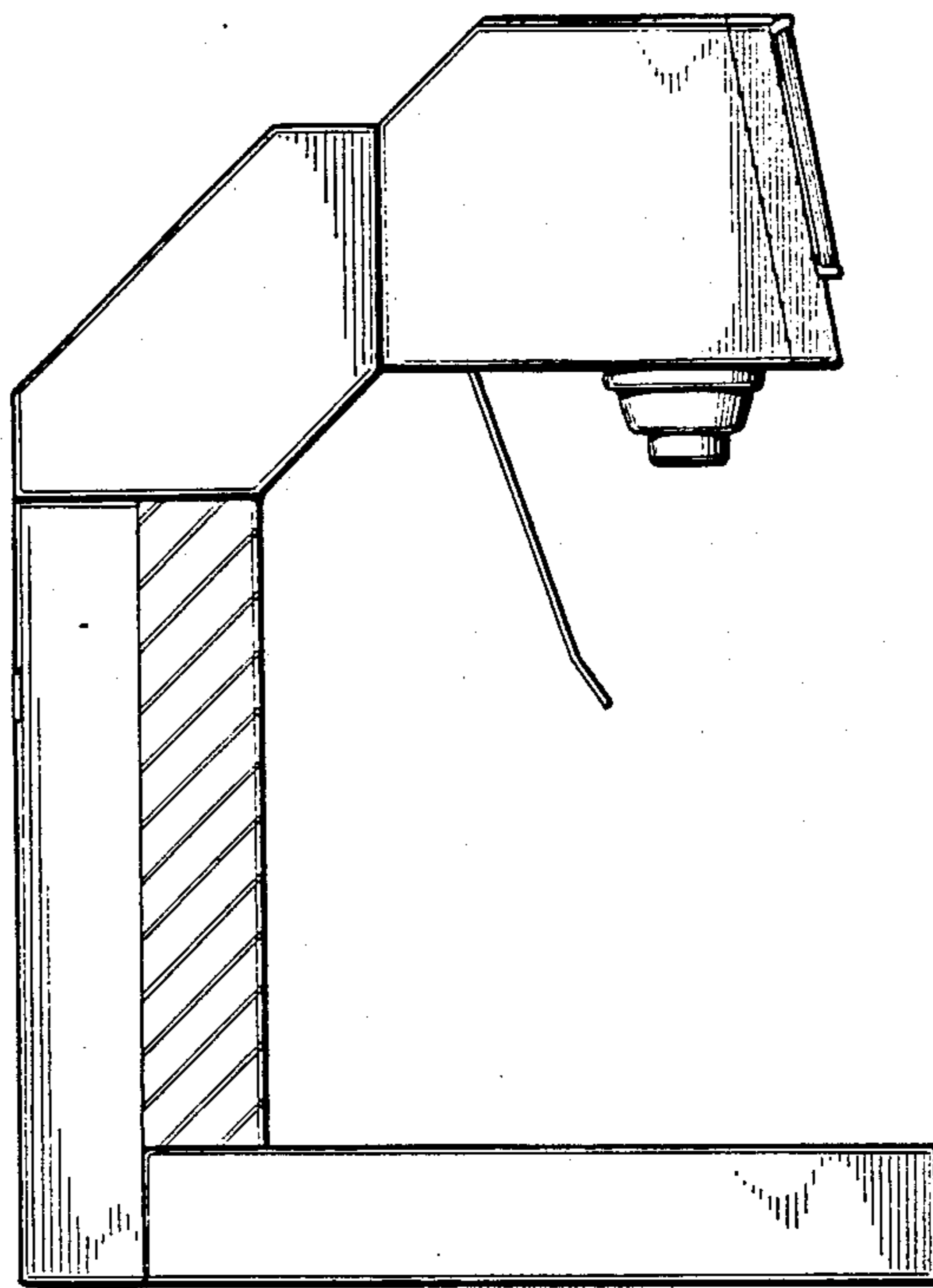


FIG 2

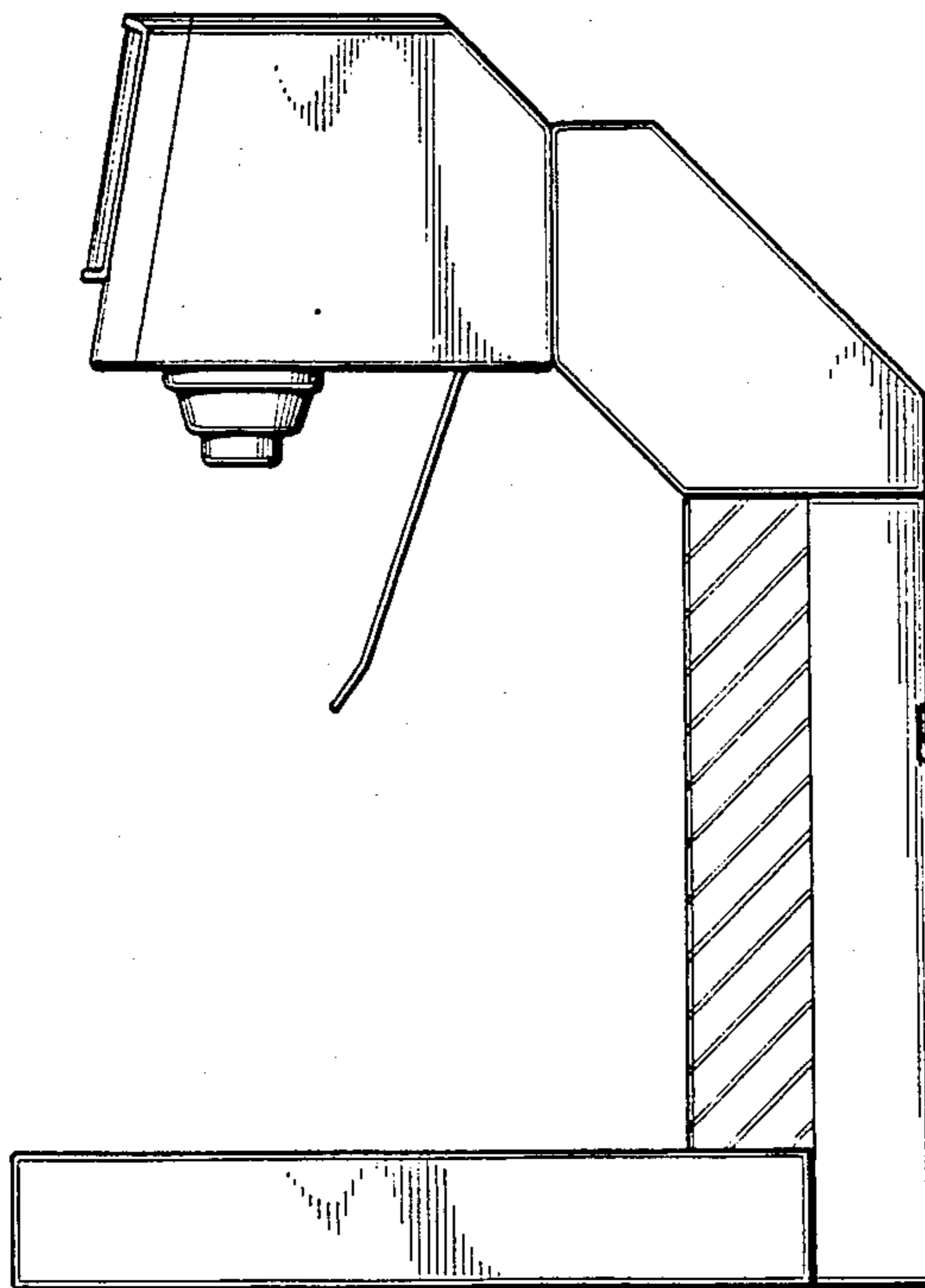


FIG 3

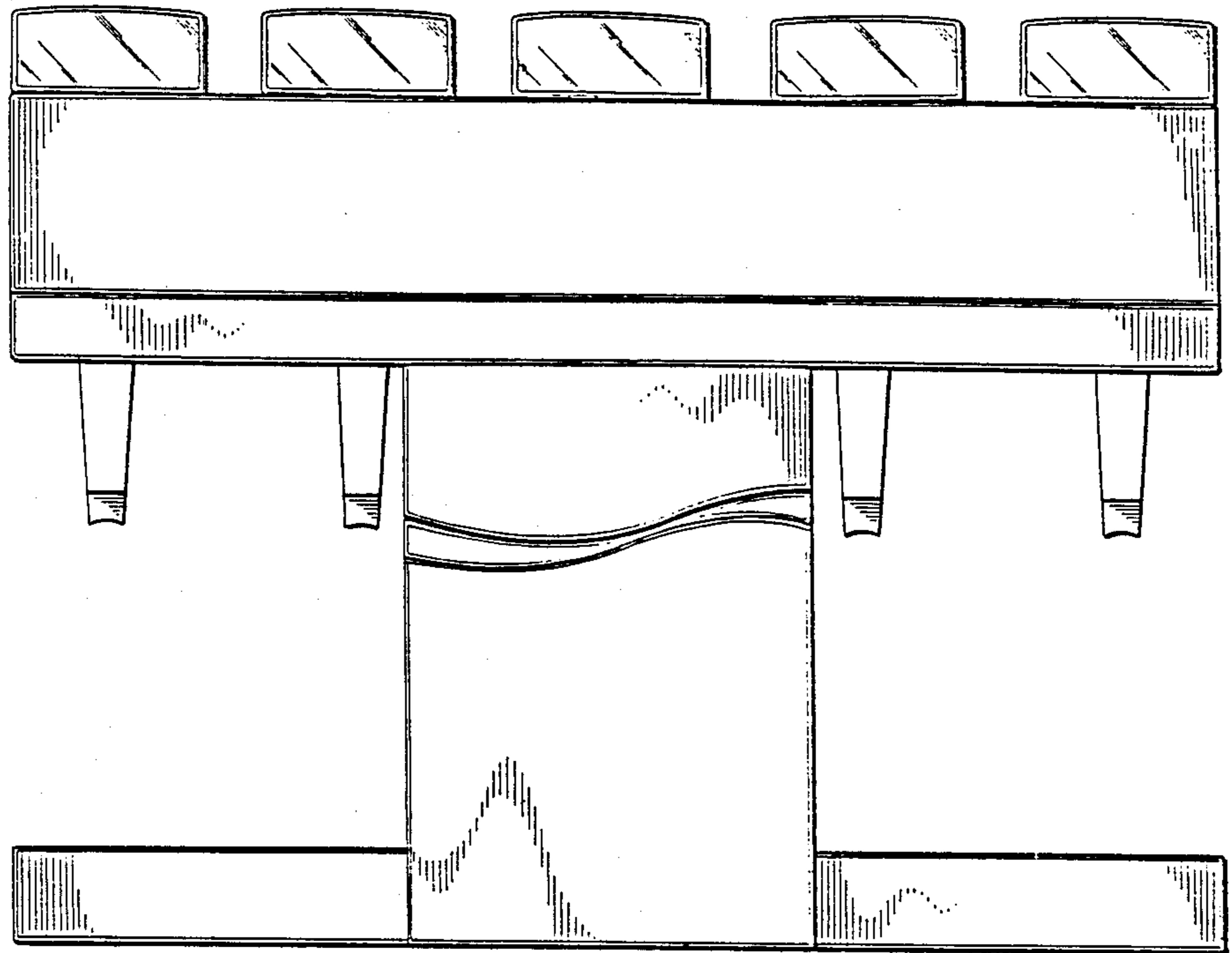


FIG 4

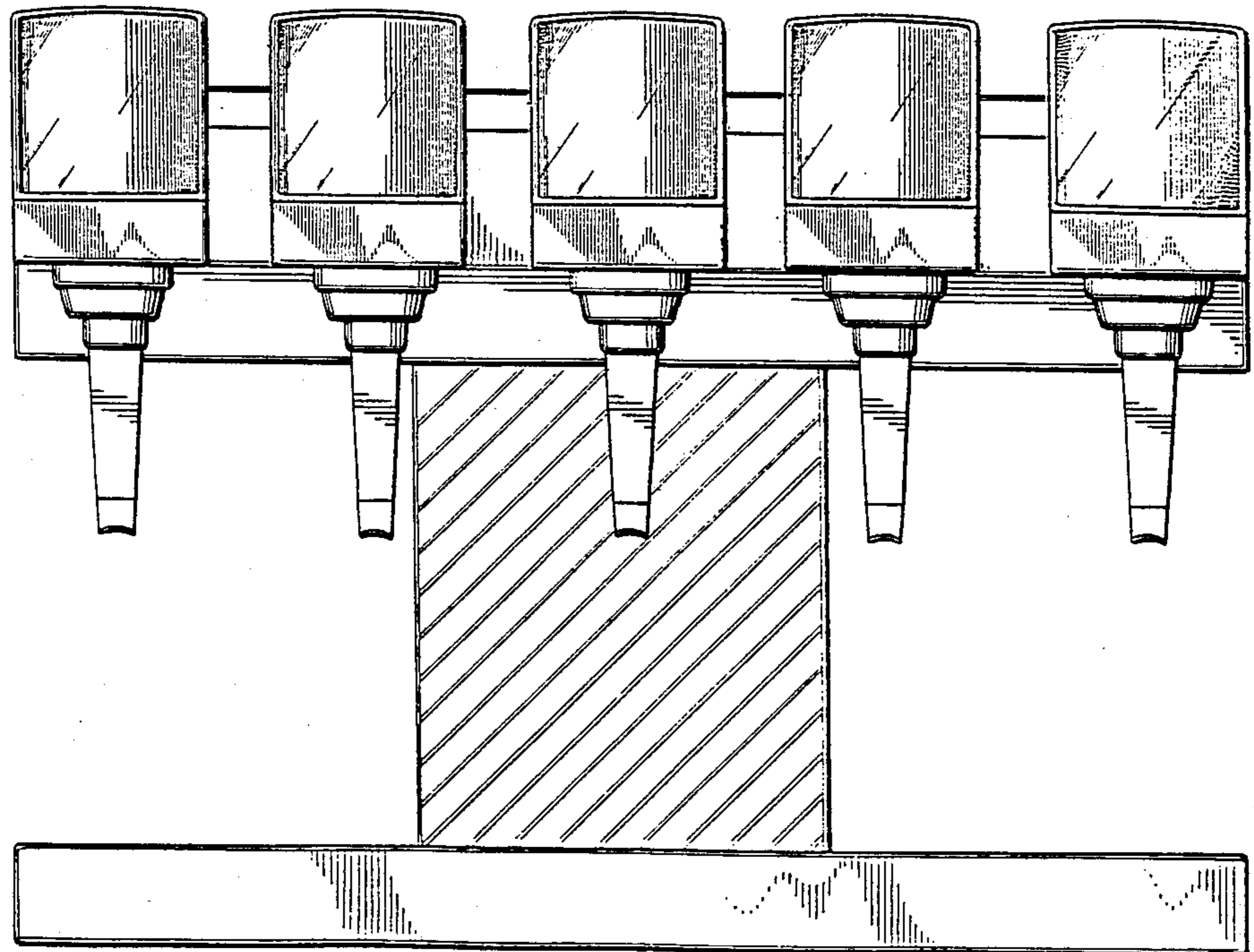


FIG 5

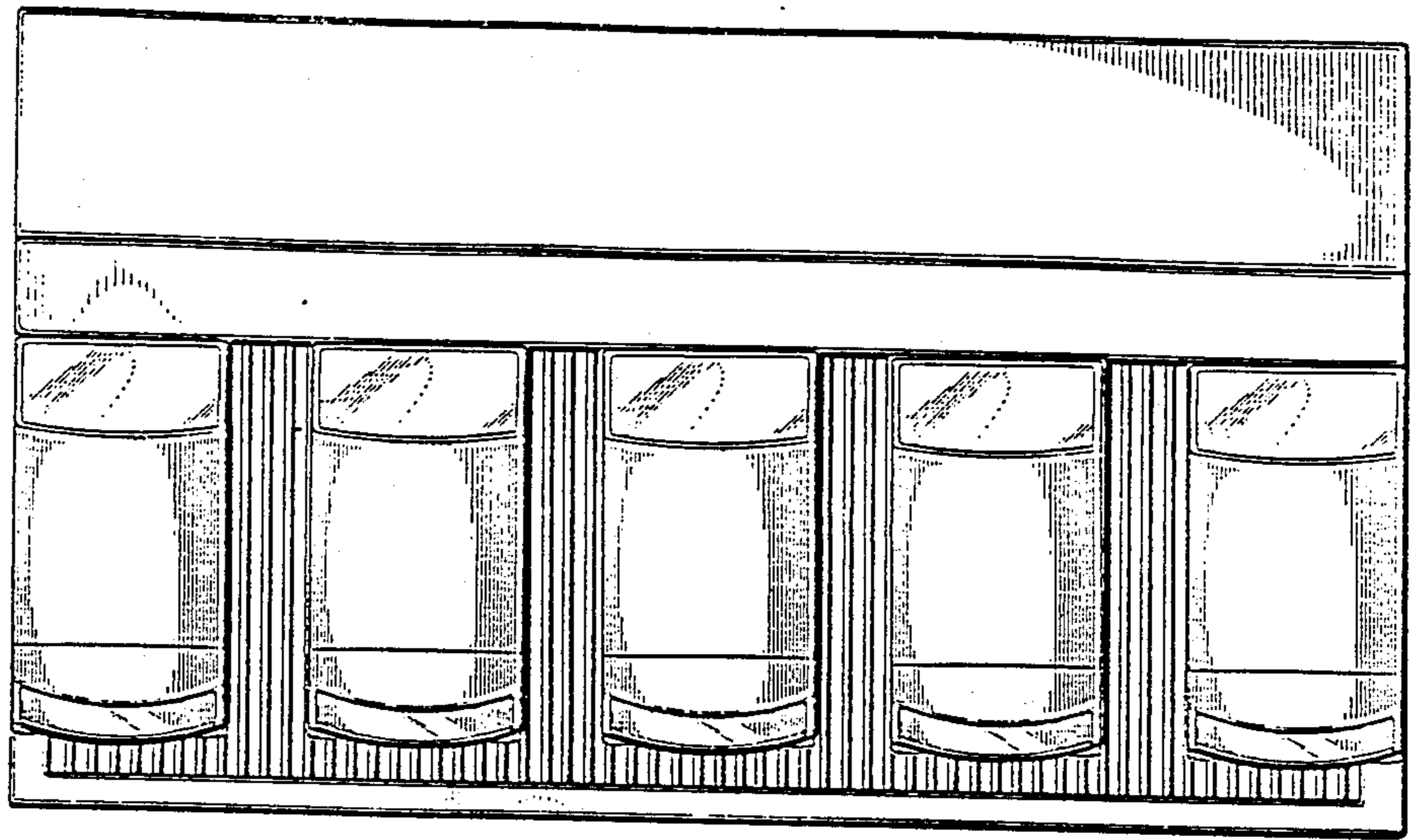


FIG 6

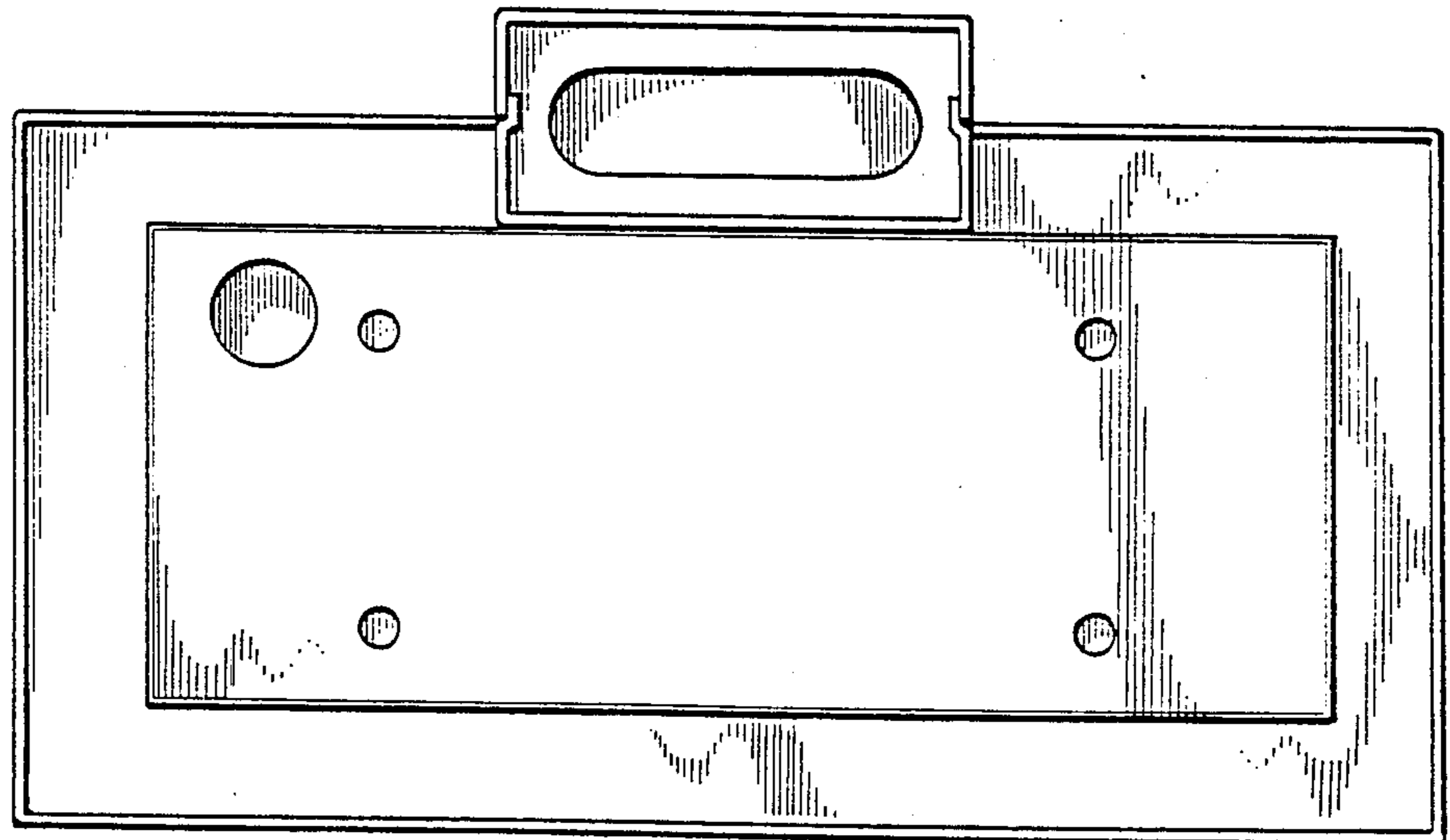


FIG 7

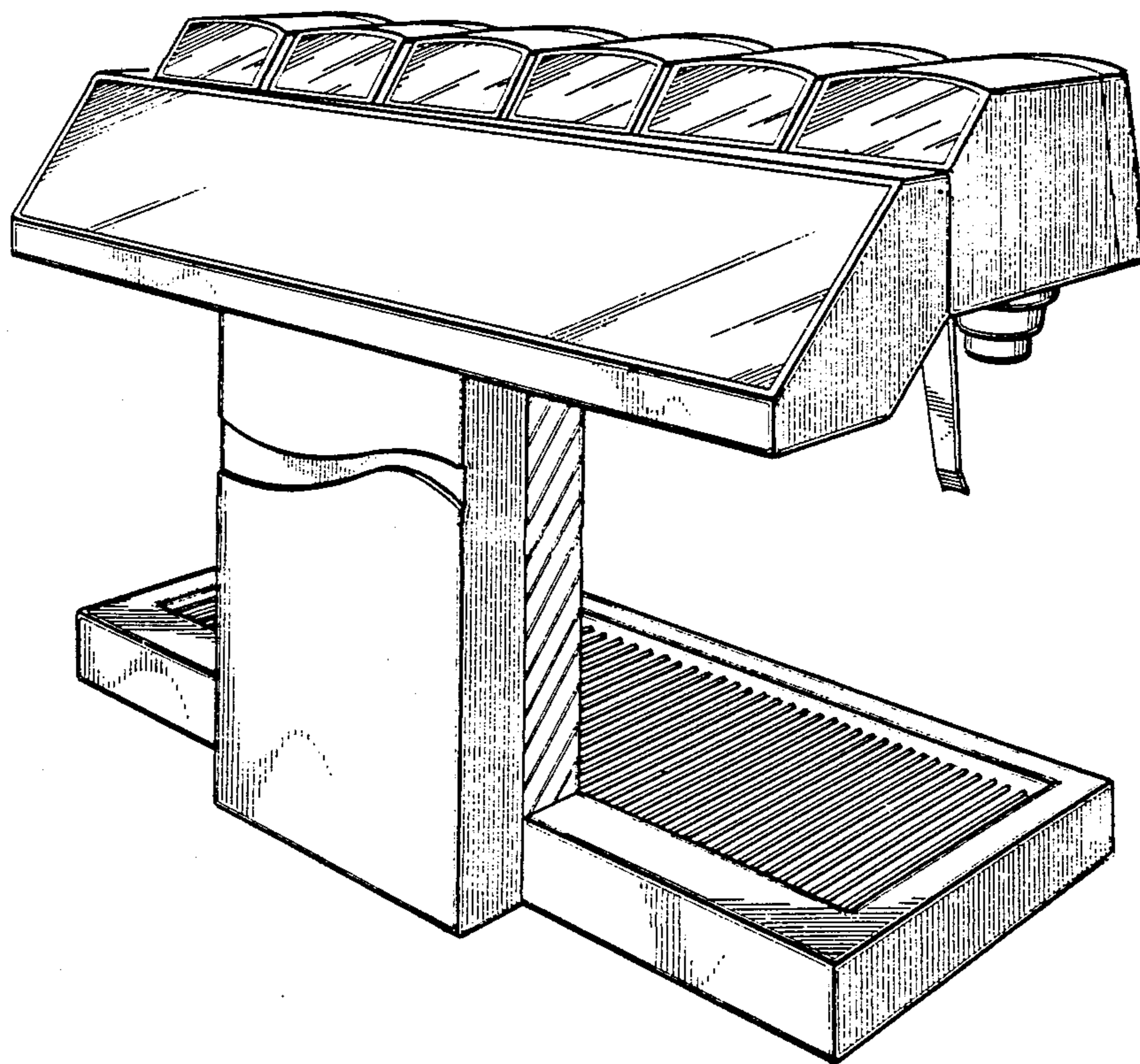


FIG 8

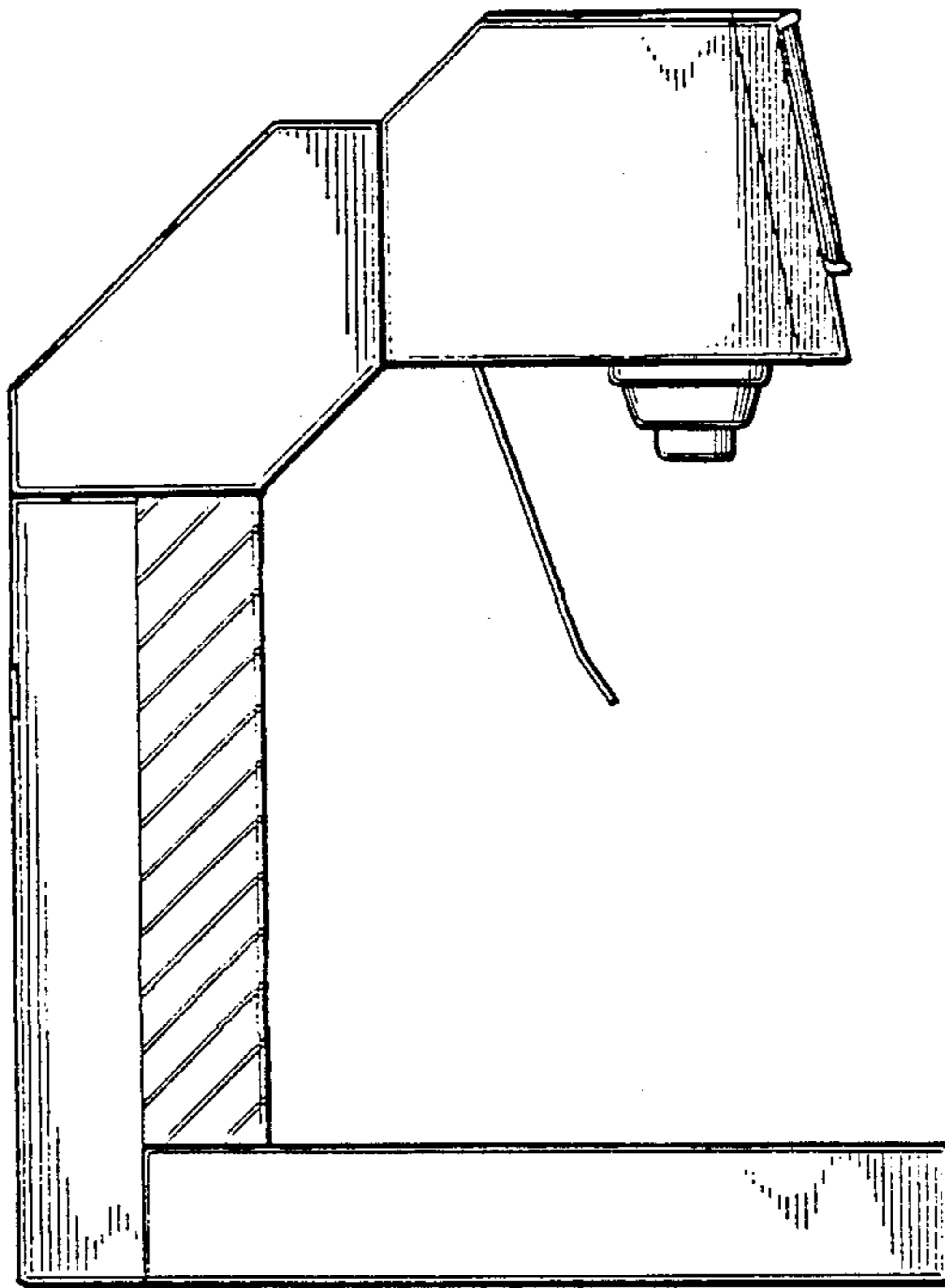


FIG 9

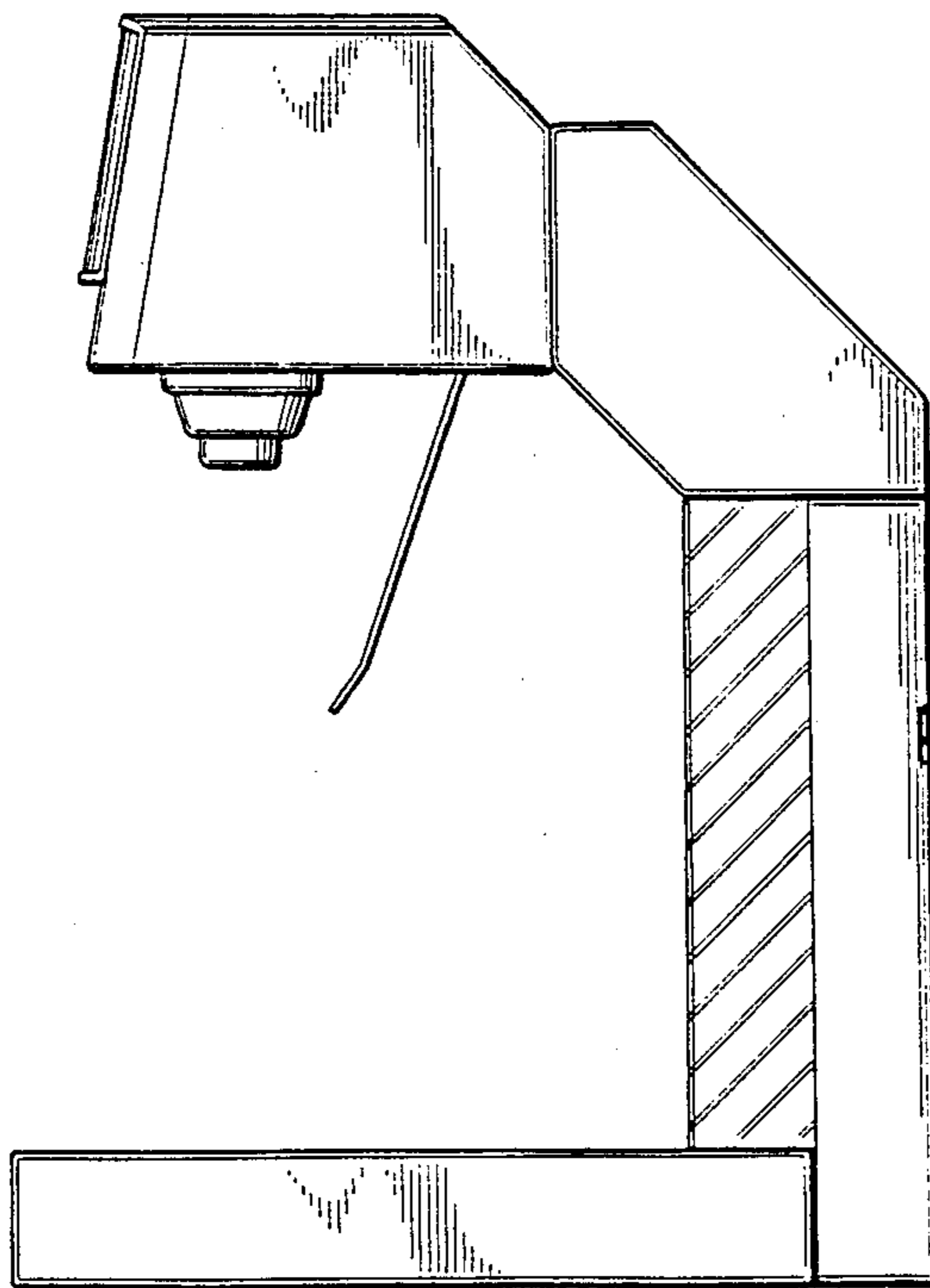


FIG 10

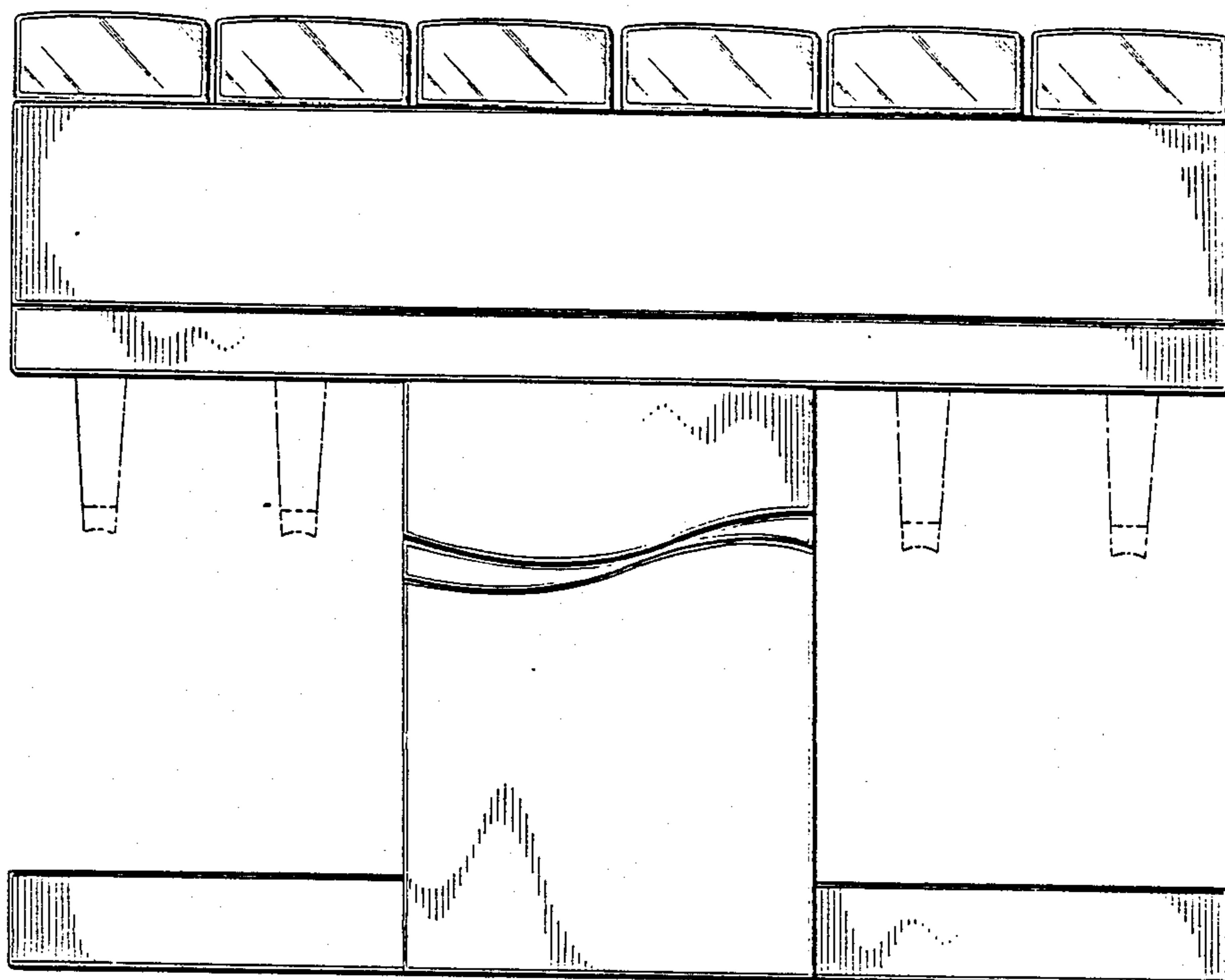


FIG 11

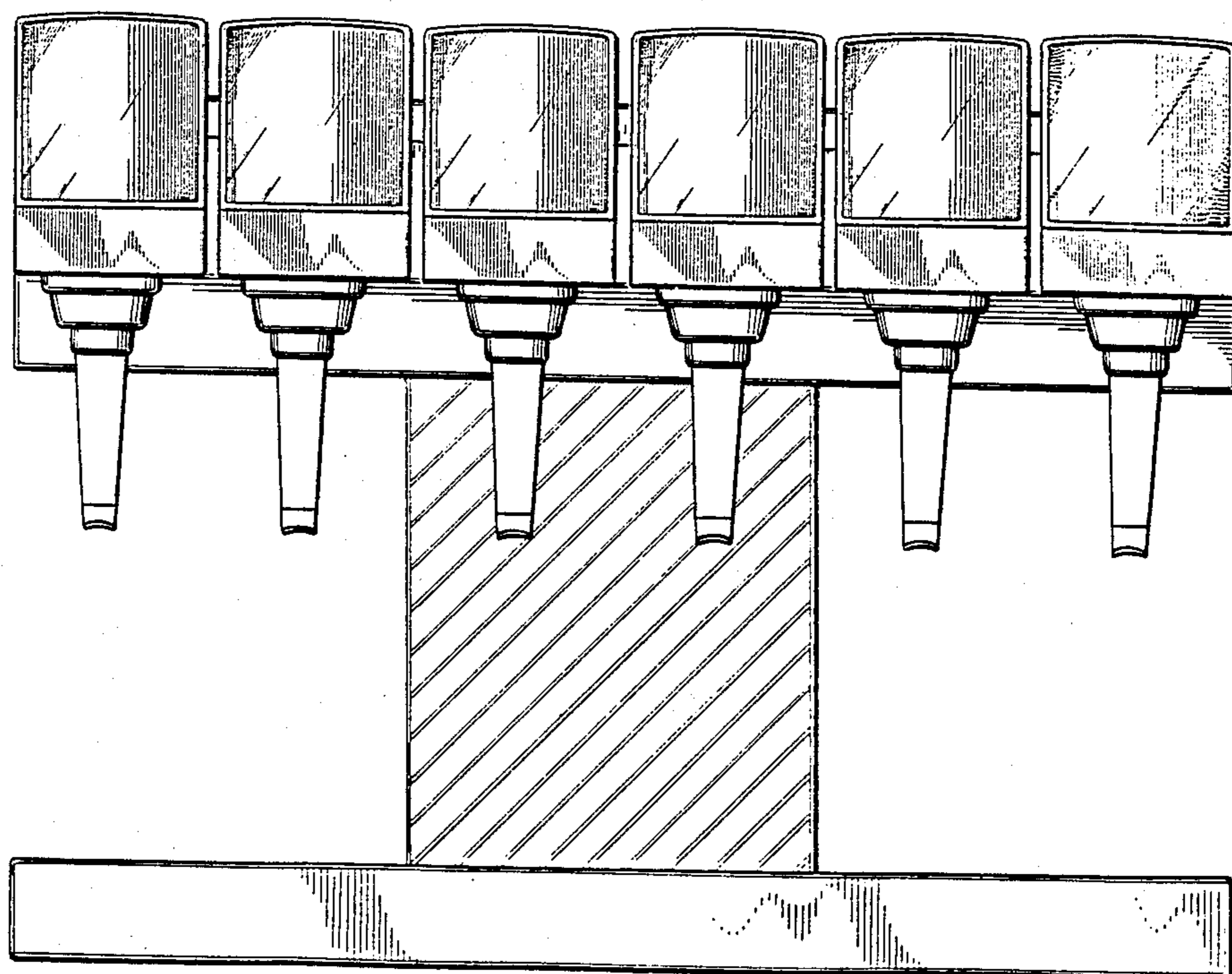


FIG 12

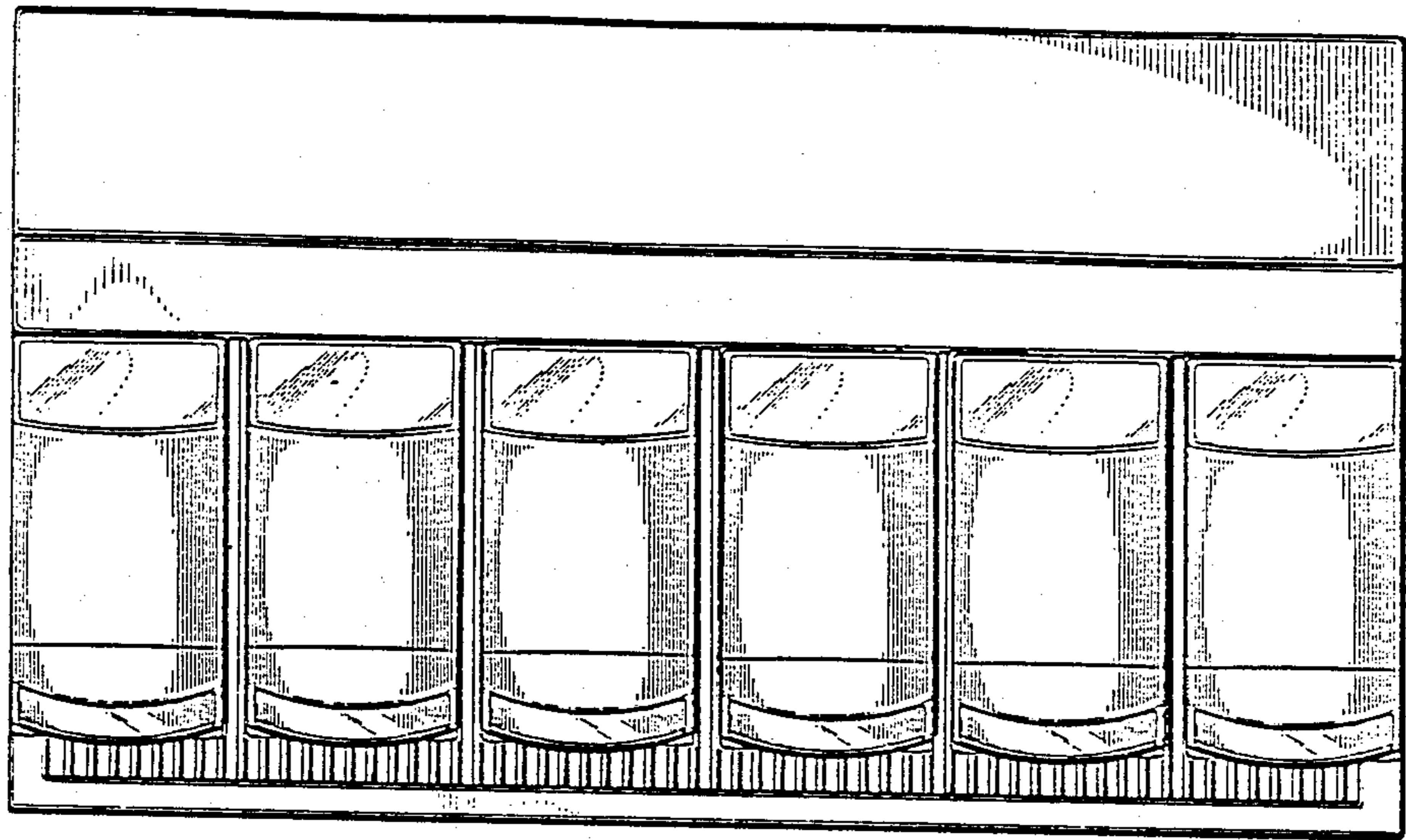


FIG 13

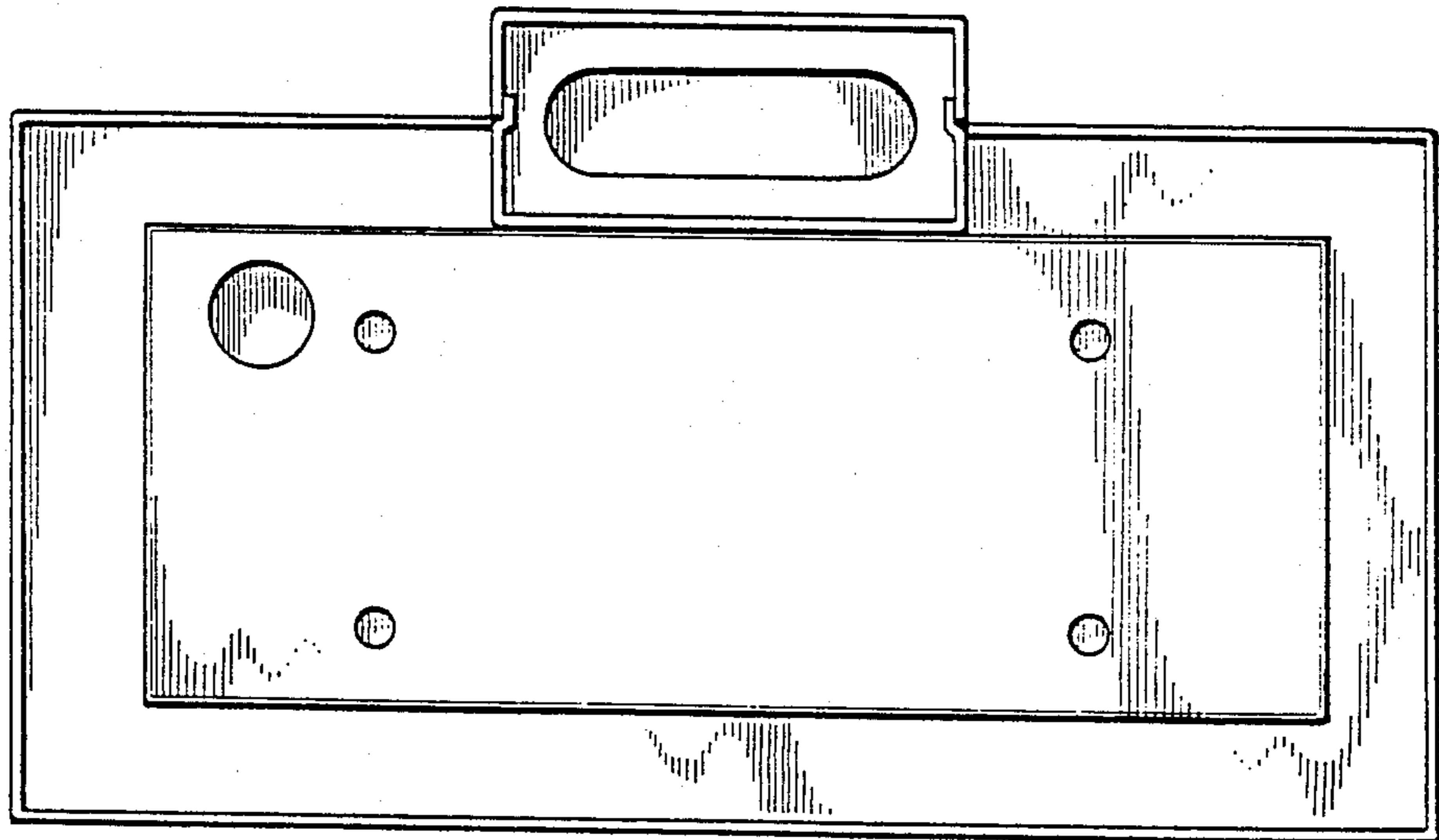


FIG 14

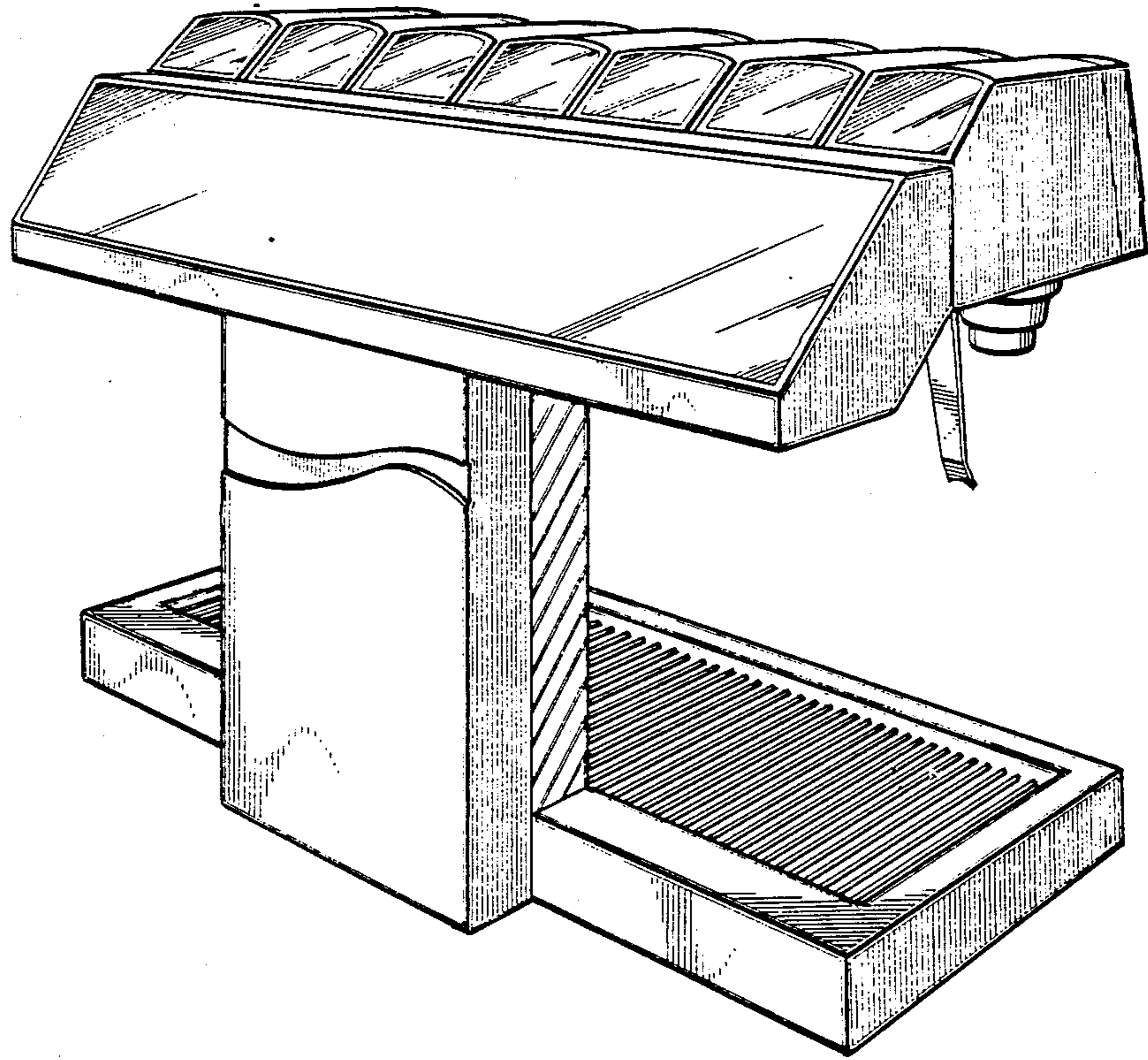


FIG 15

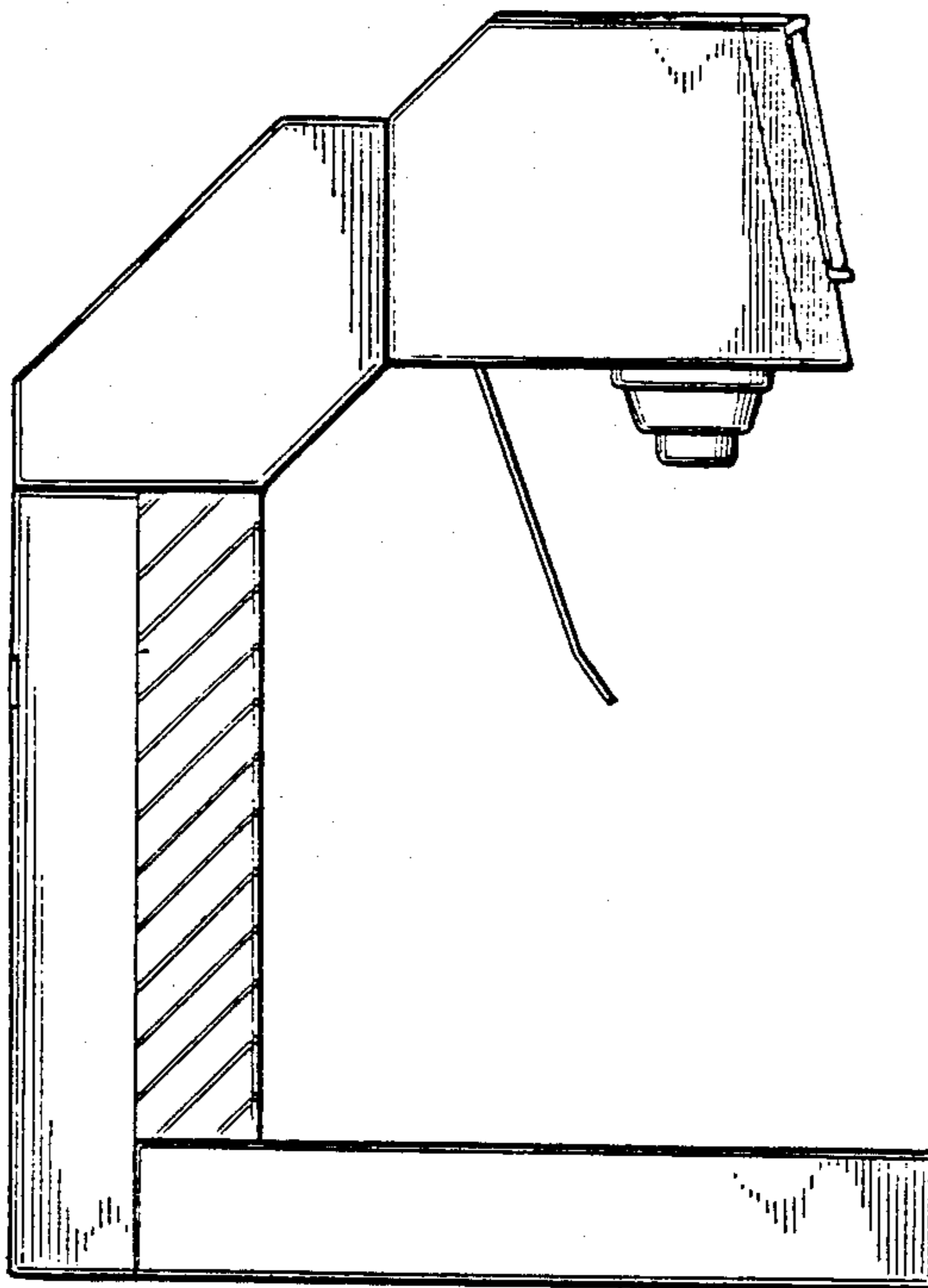


FIG 16

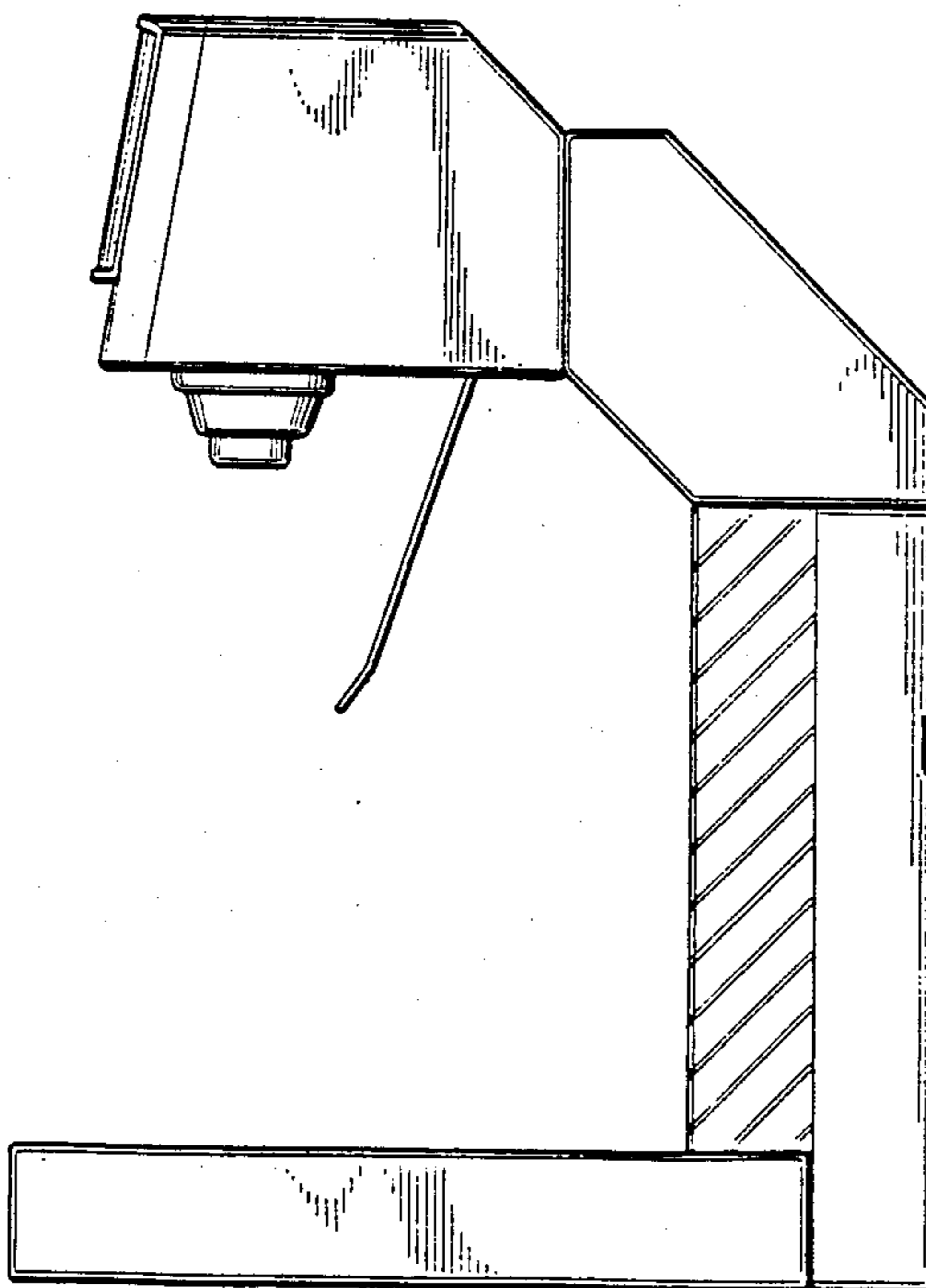


FIG 17

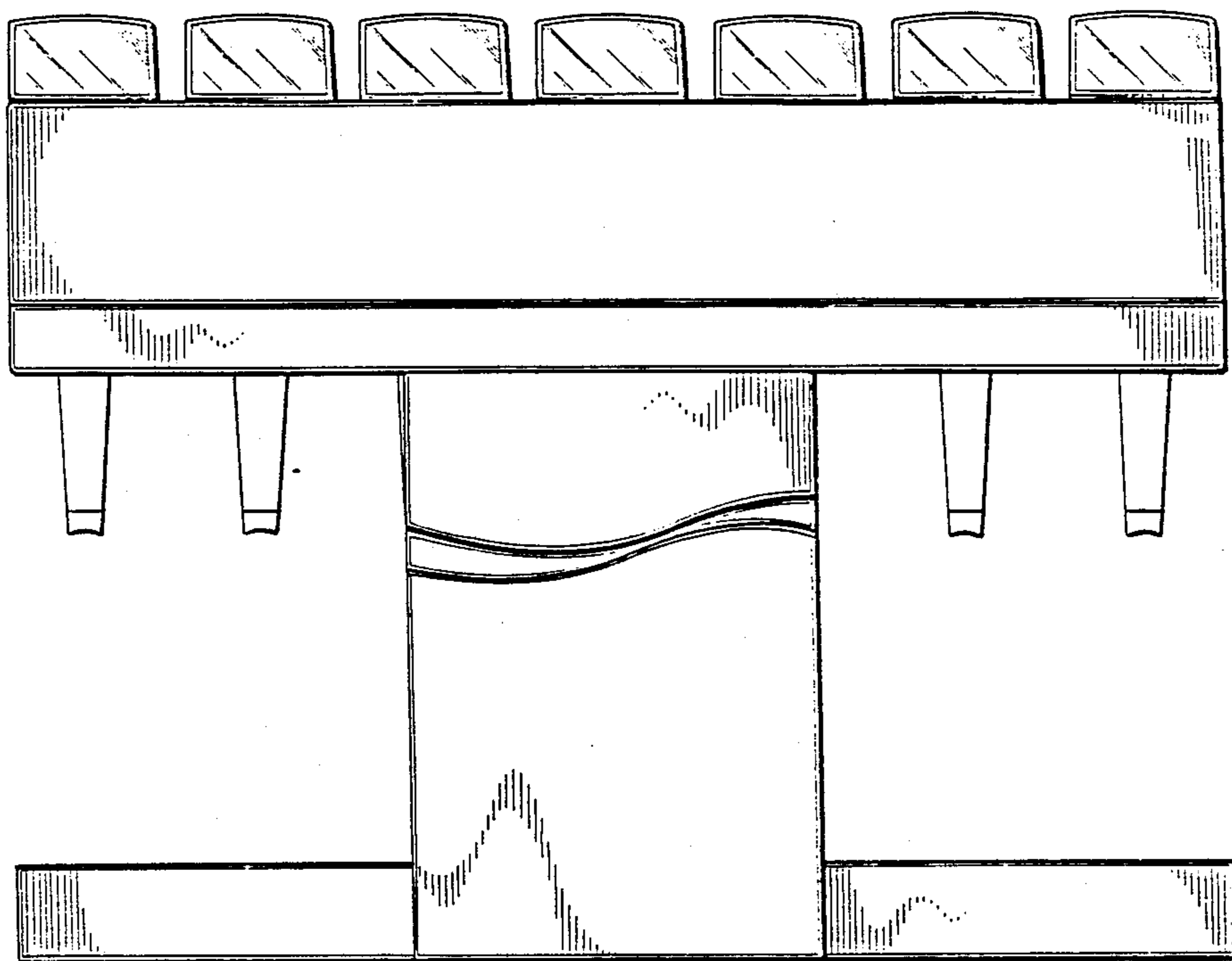


FIG 18

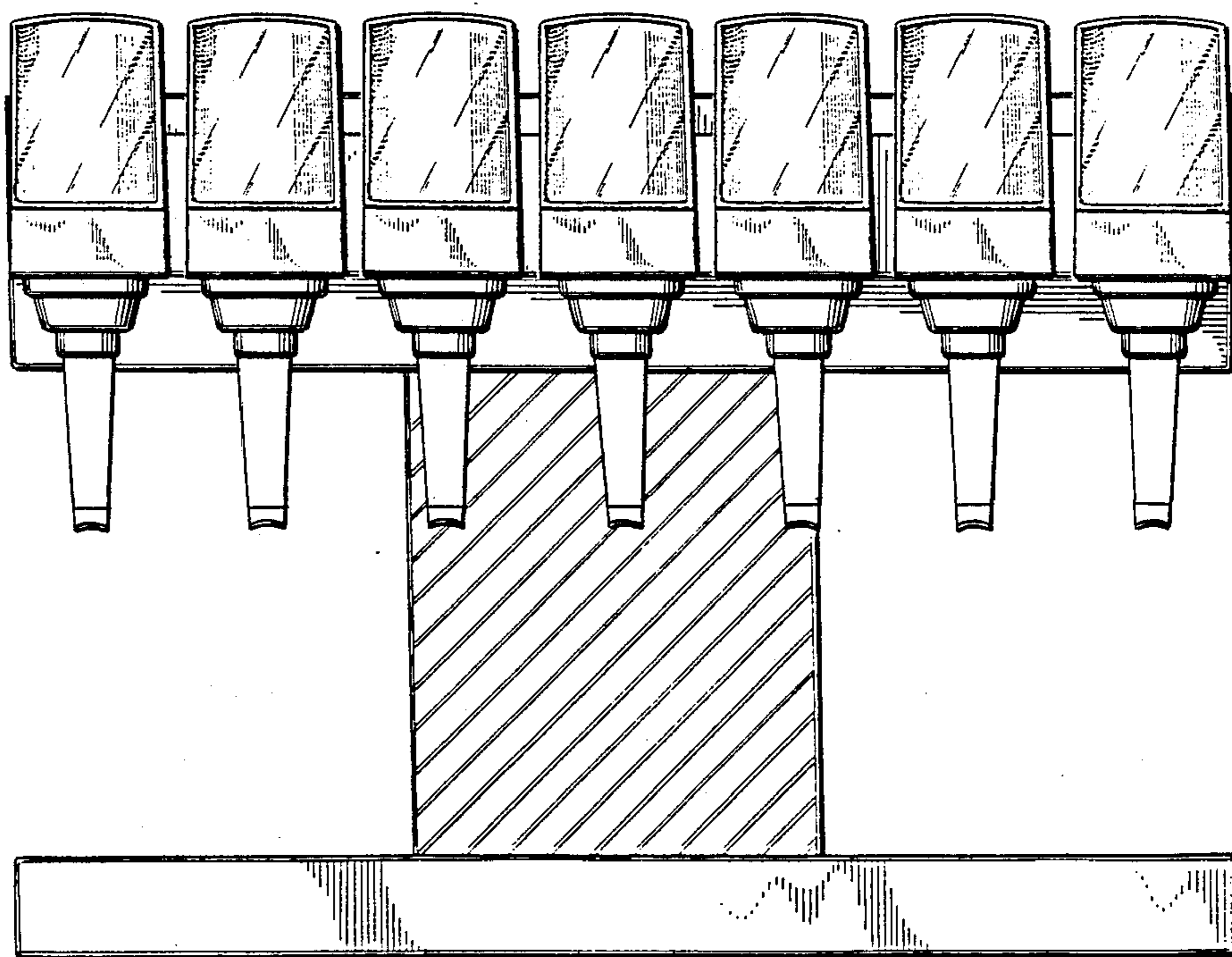


FIG 19