

[54] CHAIR BASE

[76] Inventor: Steven K. Levine, 39 Gramercy Park N, Apt. 6C, New York, N.Y. 10010

[\*\*] Term: 14 Years

[21] Appl. No.: 890,444

[22] Filed: Jul. 30, 1986

[52] U.S. Cl. .... D6/498; D6/499

[58] Field of Search ..... D6/334, 371, 372, 373, D6/364, 368, 498, 499

[56] References Cited

U.S. PATENT DOCUMENTS

D. 128,802	11/1940	Scheinfield .	
D. 156,448	11/1948	Marbreit .....	D15/1
D. 287,196	12/1986	Ryder-Smith .....	D6/368 X
1,976,449	10/1934	Lorenz .....	D6/364 X
2,125,985	8/1938	Bond .....	155/194
2,158,225	3/1938	Elmore .....	155/179
2,502,857	4/1950	Kipp .....	155/194
2,600,944	6/1952	Sam .....	155/112
3,069,204	12/1962	Vesterholt .....	297/456
3,387,887	6/1968	Jakobsen .....	297/445
3,594,041	7/1971	Rye .....	297/445
3,656,808	6/1970	Chang .....	297/445
3,774,960	11/1973	Blodee .....	297/239

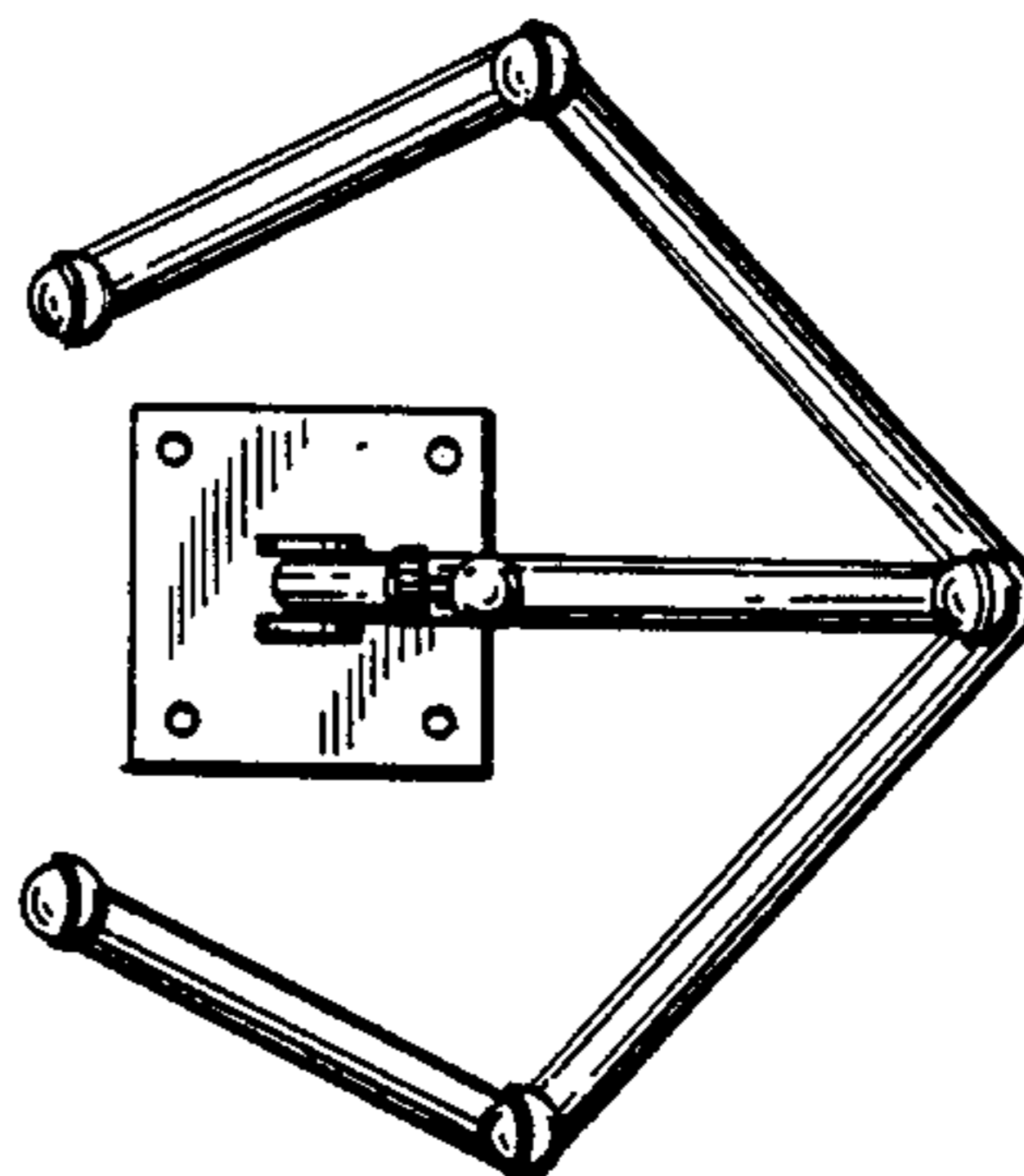
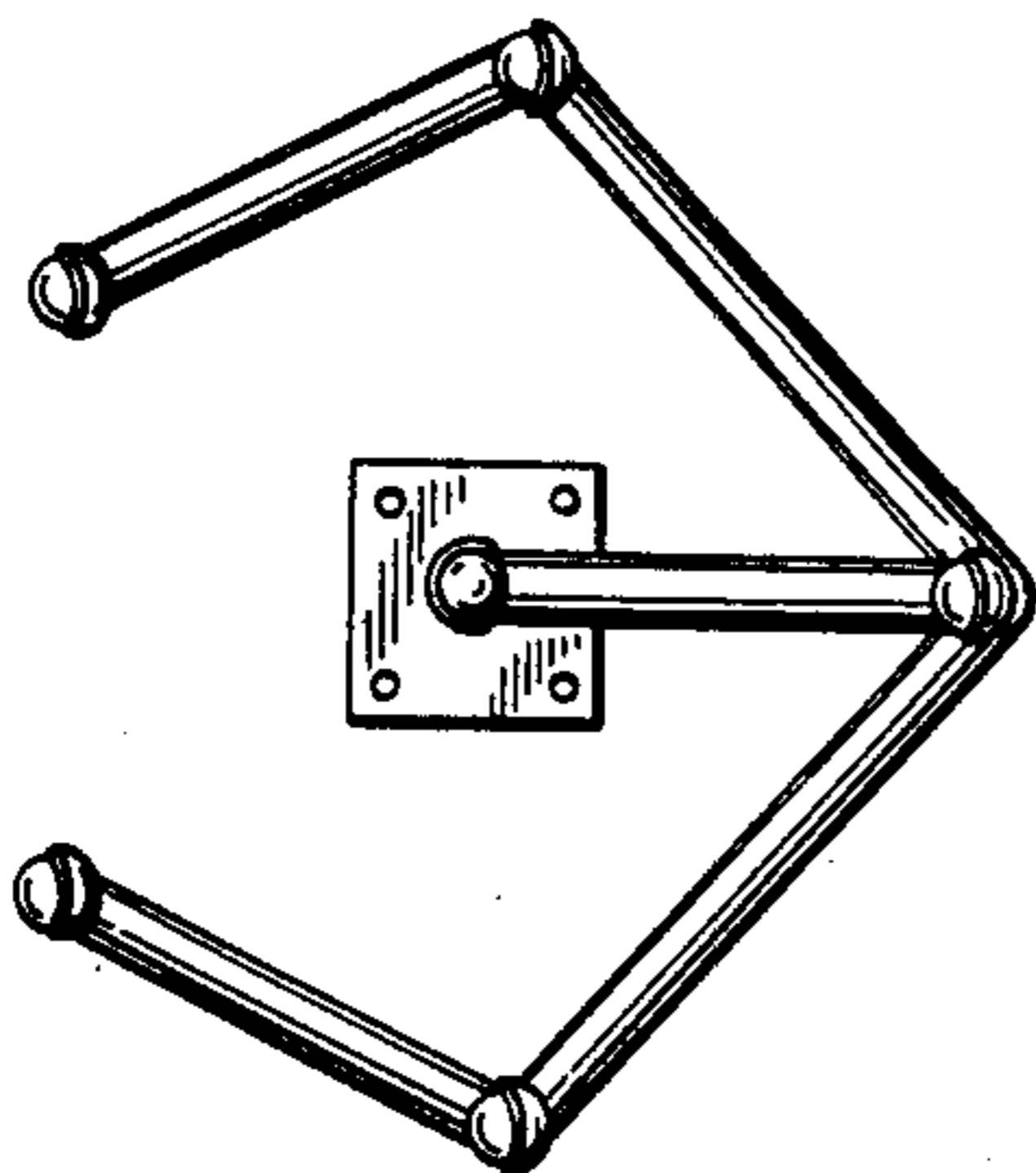
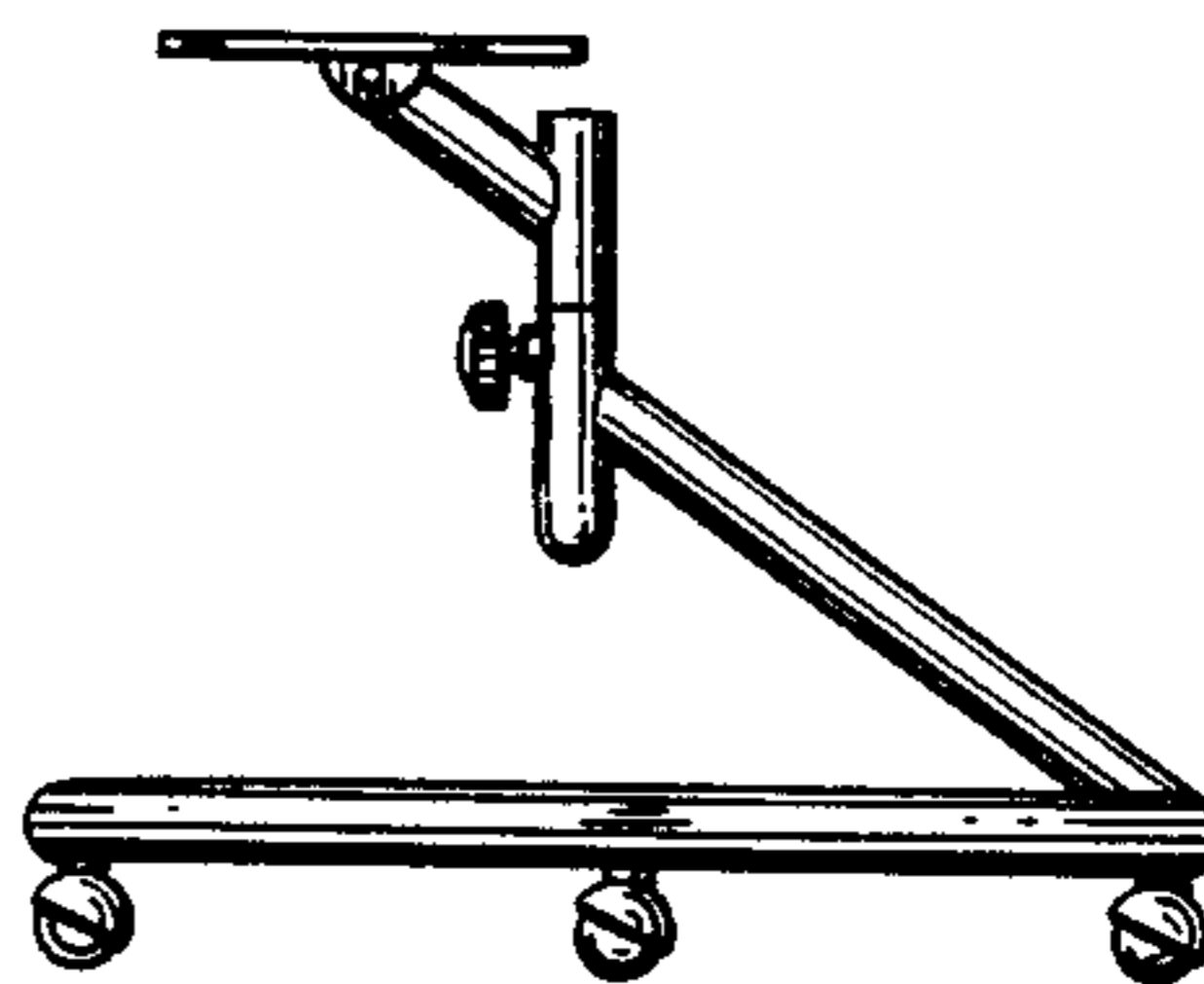
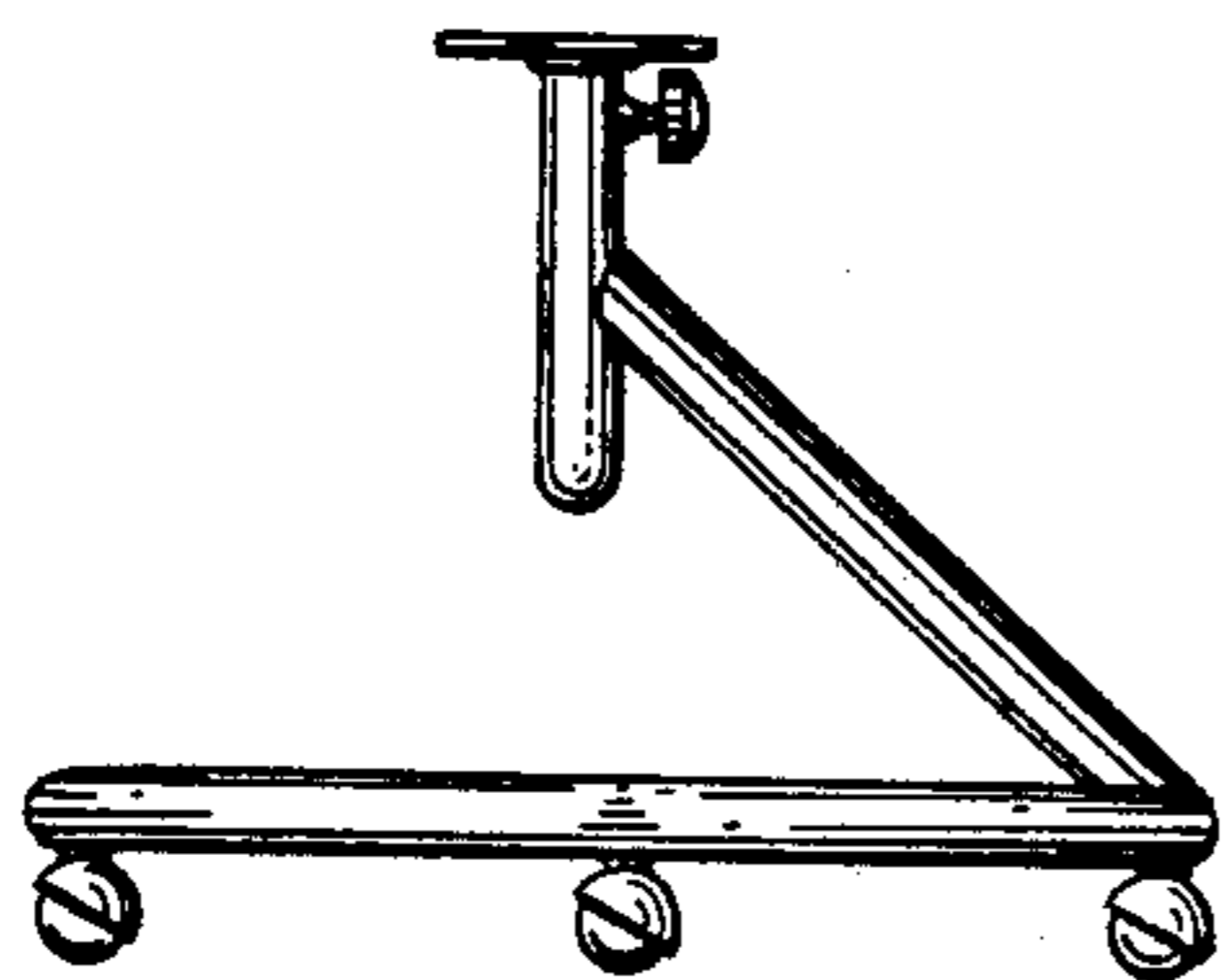
Primary Examiner—Winifred E. Herrmann  
Attorney, Agent, or Firm—Blum Kaplan

[57] CLAIM

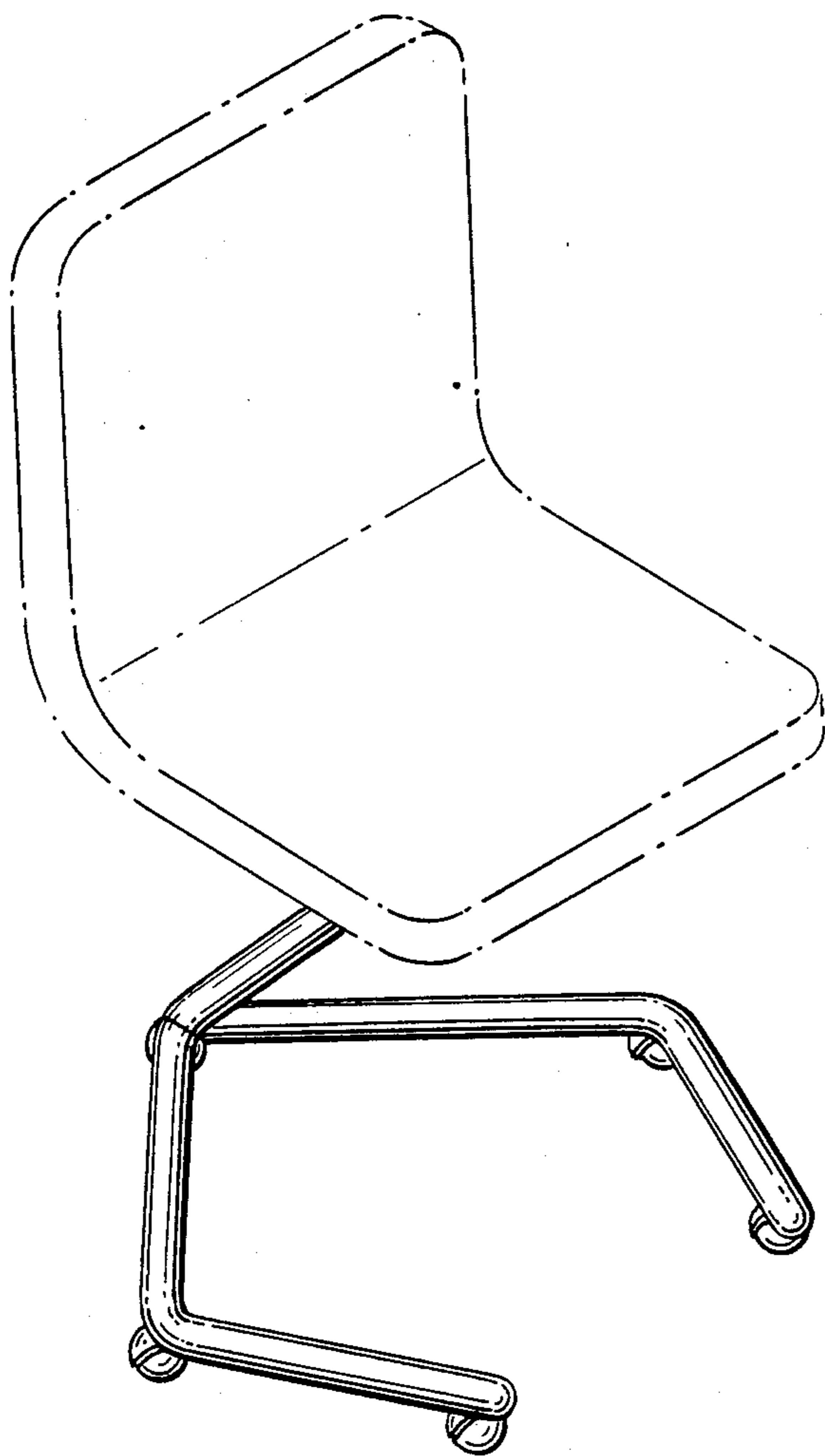
The ornamental design for a chair base, as shown and described.

DESCRIPTION

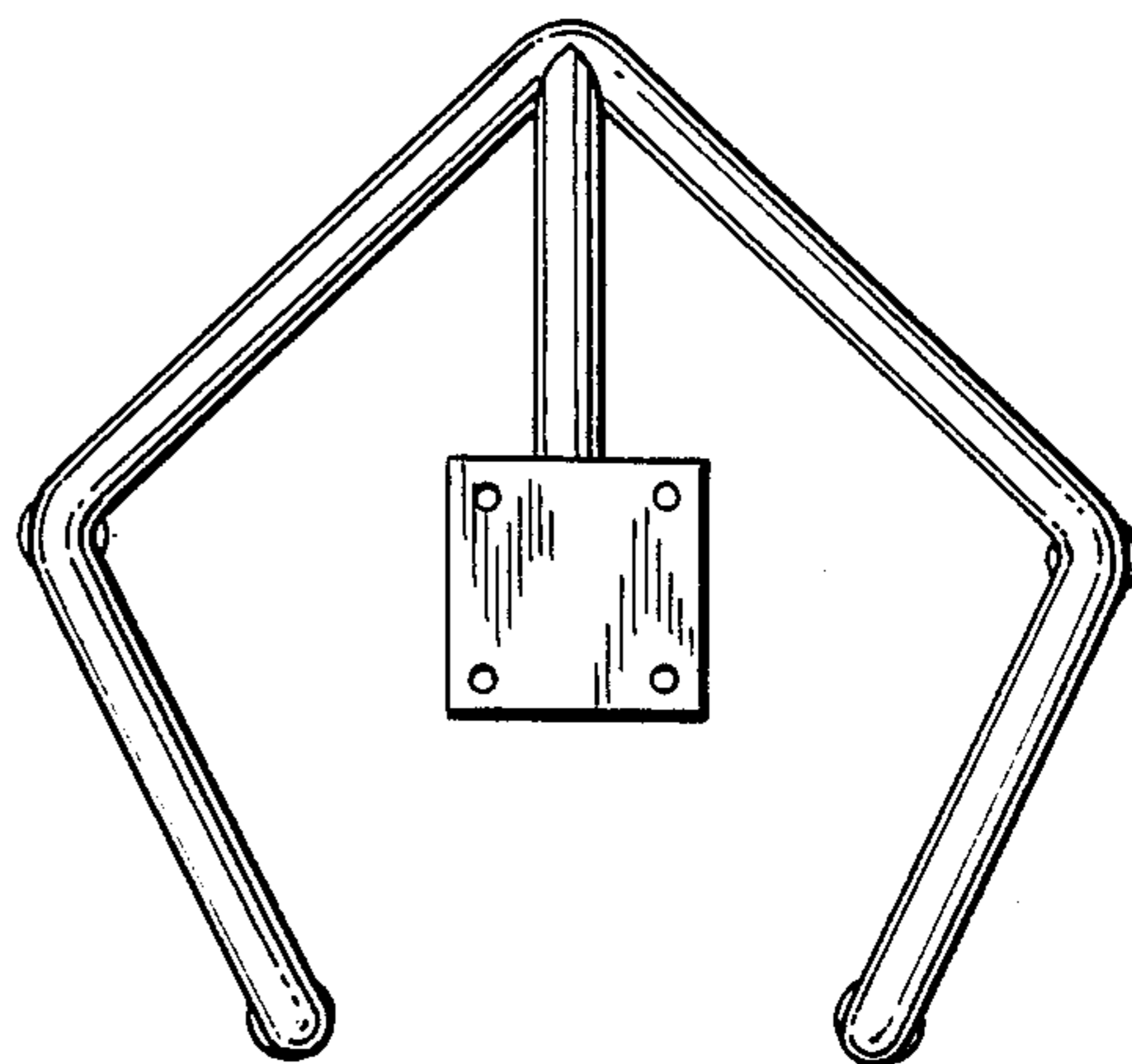
FIG. 1 is a left front perspective view of a chair base showing my new design;  
 FIG. 2 is a top plan view thereof;  
 FIG. 3 is a front elevational view thereof;  
 FIG. 4 is a right side elevational view thereof, the left side elevational view being the mirror image thereof;  
 FIG. 5 is a rear elevational view thereof;  
 FIG. 6 is a bottom plan view thereof;  
 FIG. 7 is a left, front perspective view of a chair base showing a modification of my new design;  
 FIG. 8 is a top plan view of the chair base of FIG. 7;  
 FIG. 9 is a front elevational view thereof;  
 FIG. 10 is a right side elevational view thereof, the left side elevational view being the mirror image thereof;  
 FIG. 11 is a rear elevational view thereof; and  
 FIG. 12 is a bottom plan view thereof.  
 The broken line showing of a seat member in FIGS. 1 and 7 is for illustrative purposes only and forms no part of the claimed design.



*FIG. 1*



*FIG. 2*



*FIG. 3*

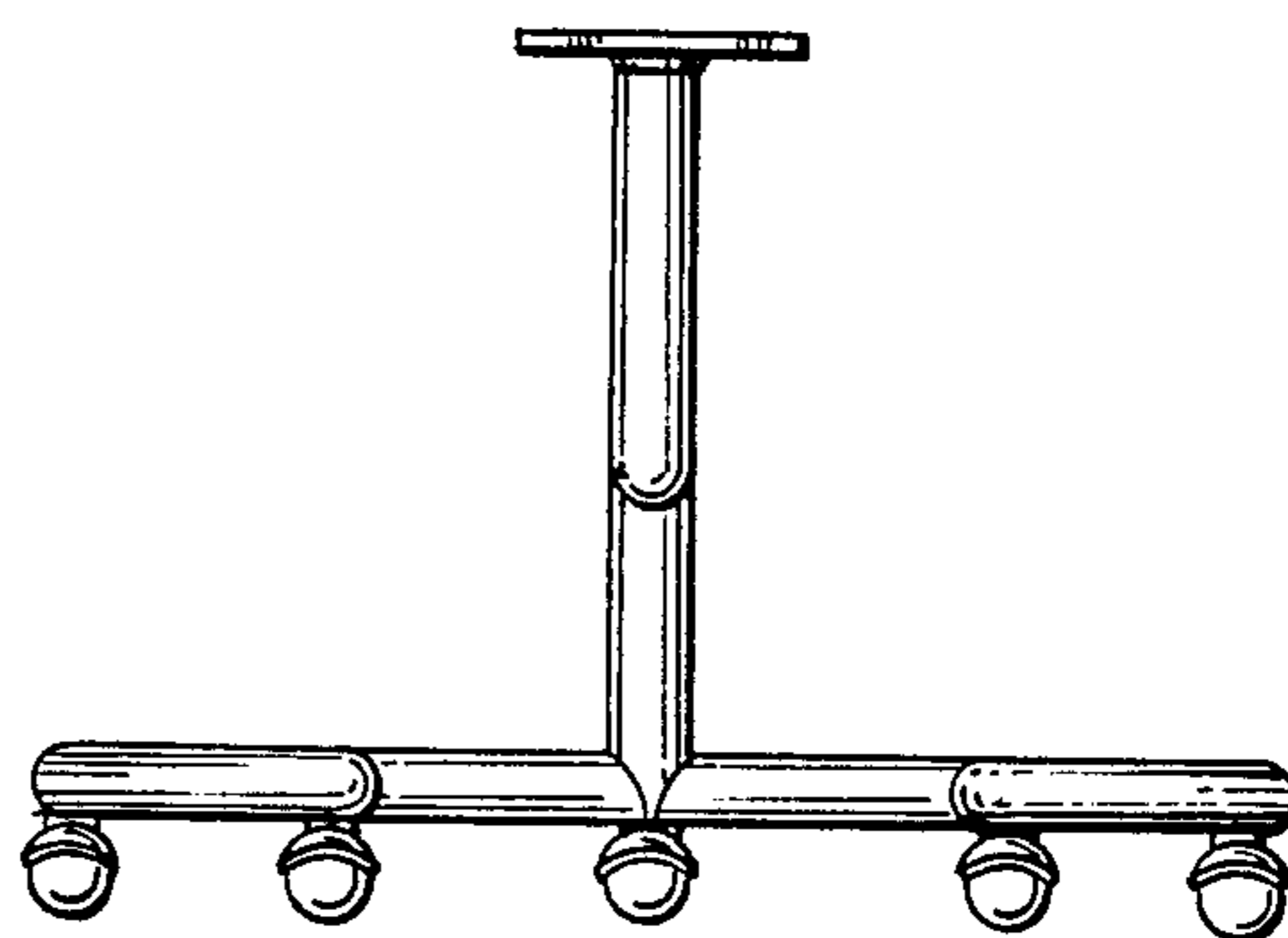


FIG. 4

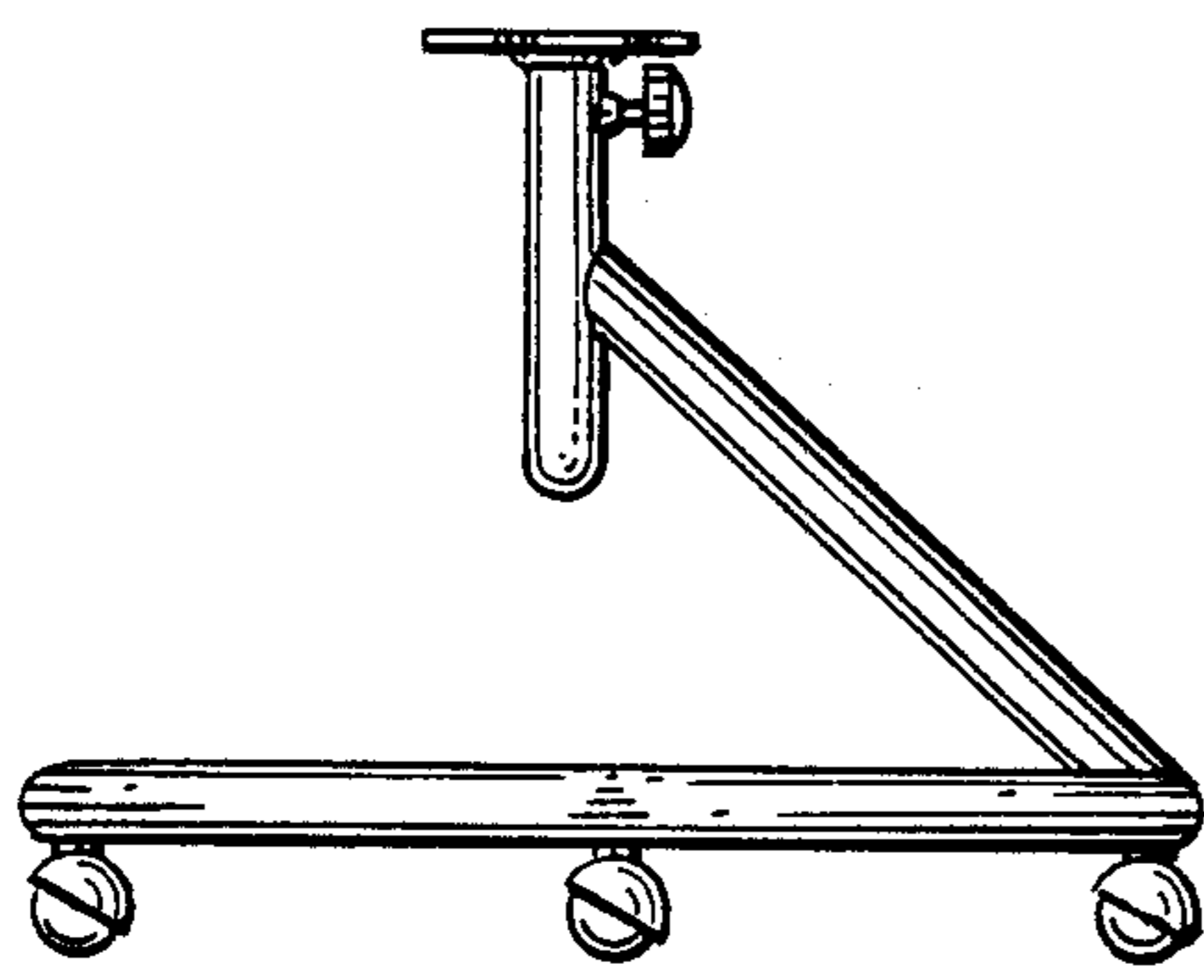


FIG. 5

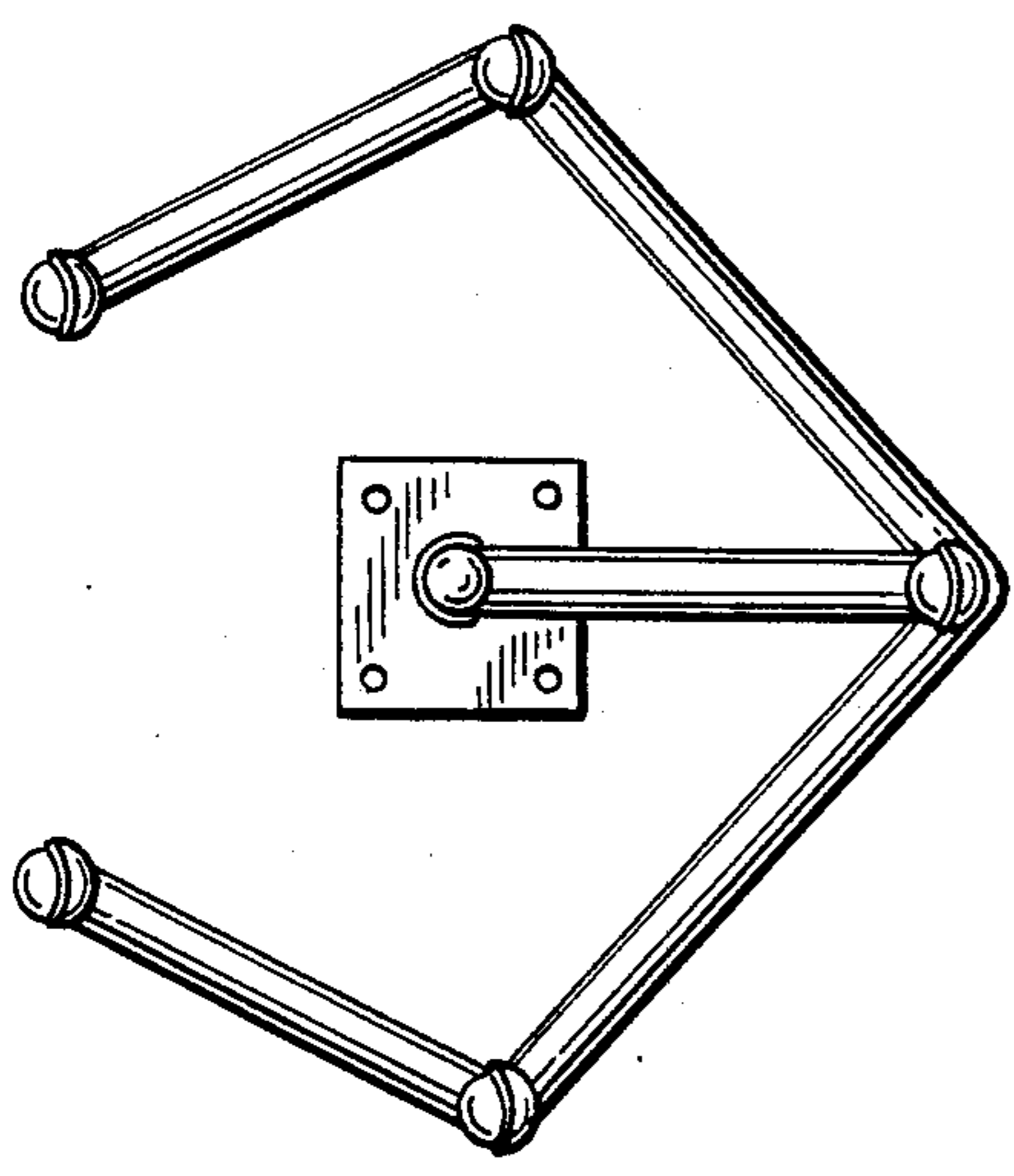
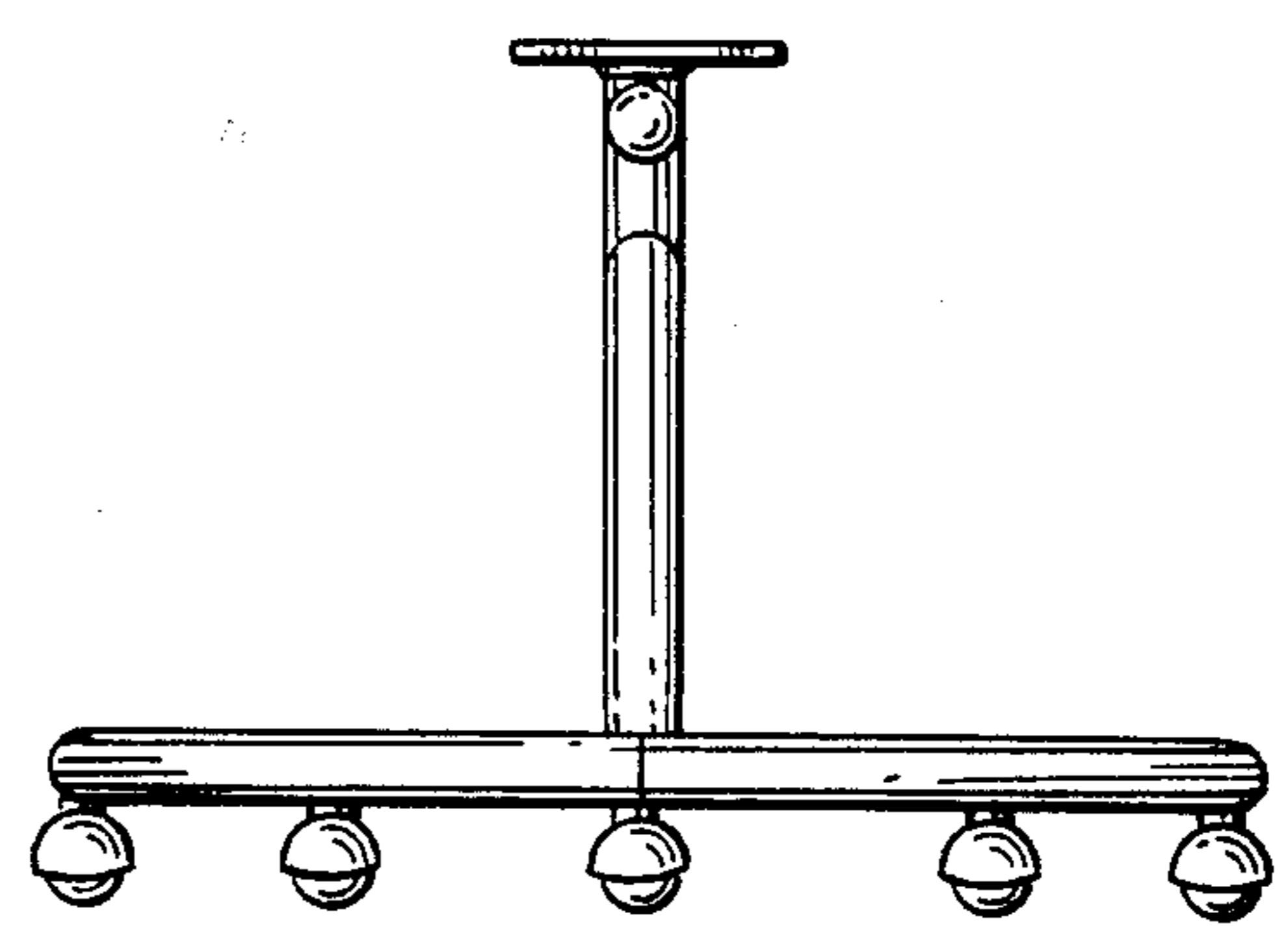
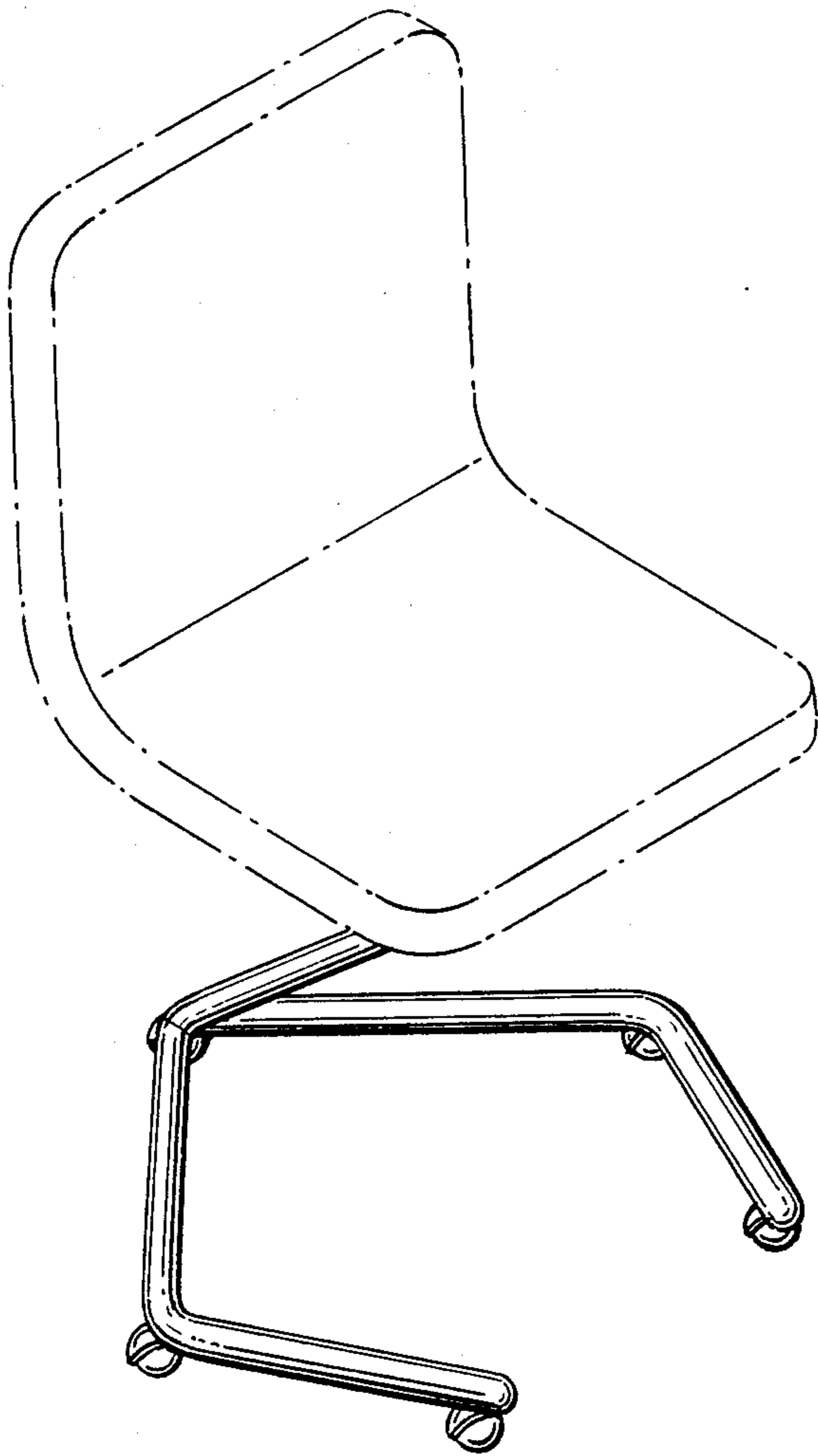
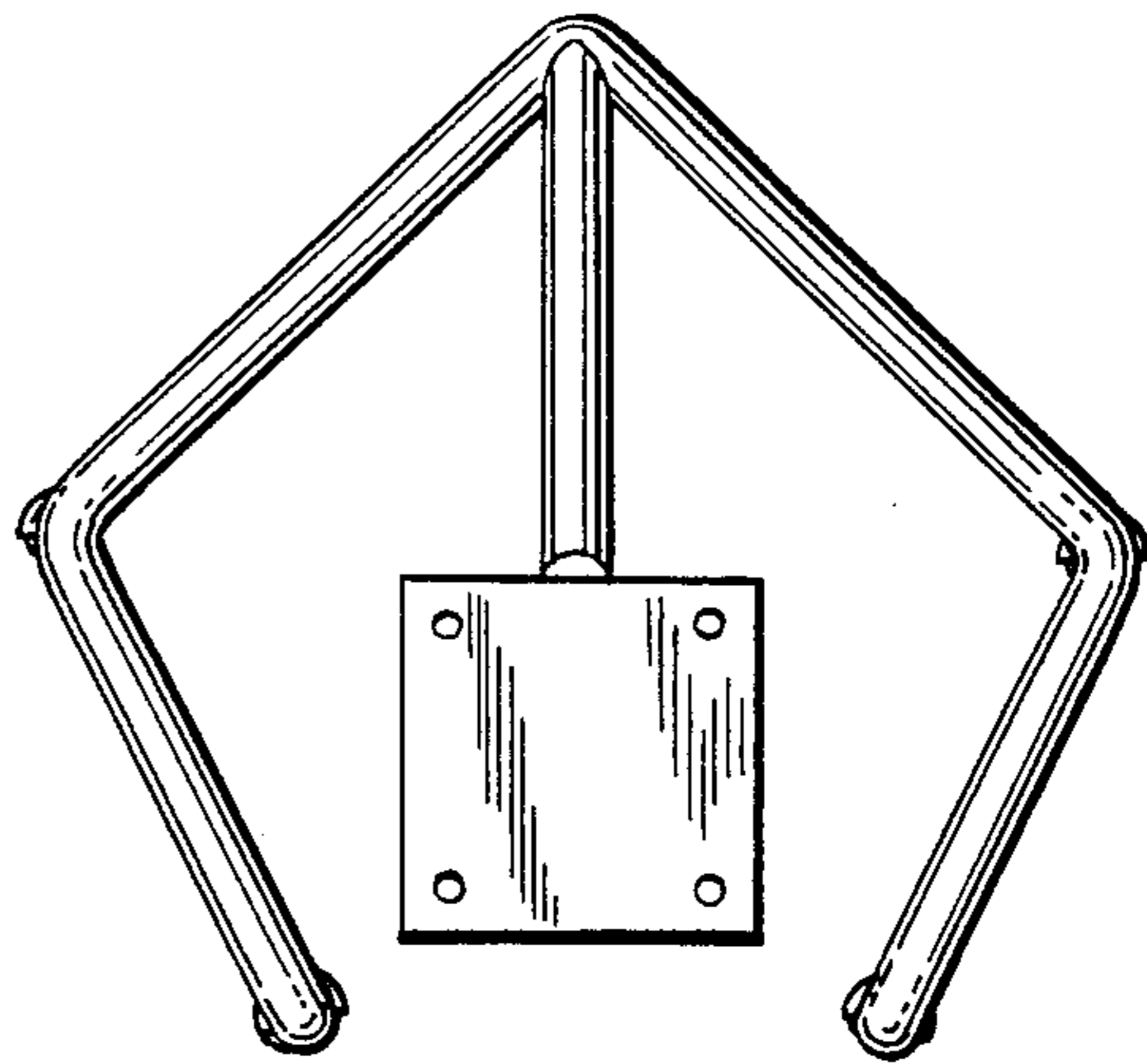


FIG. 6

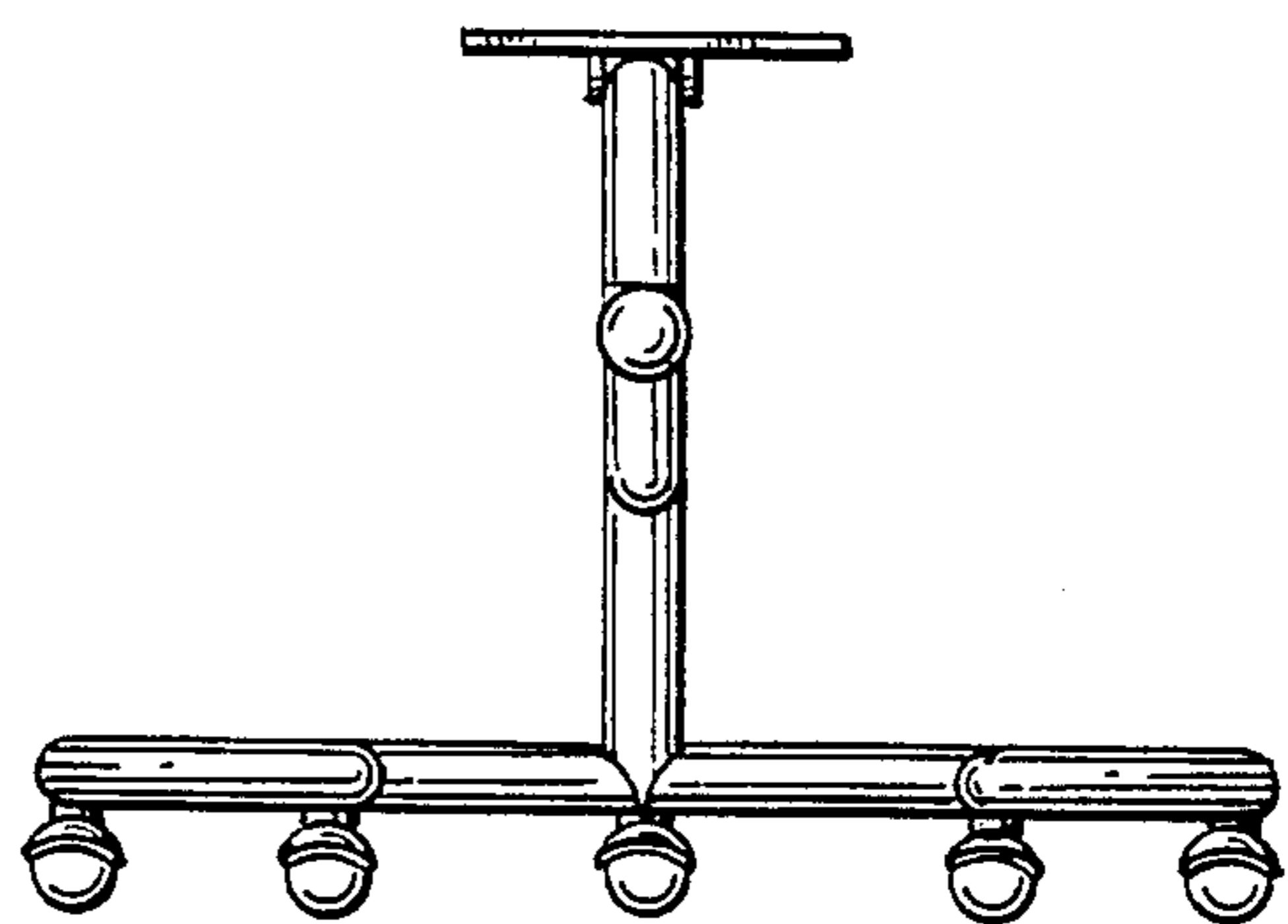
*FIG. 7*



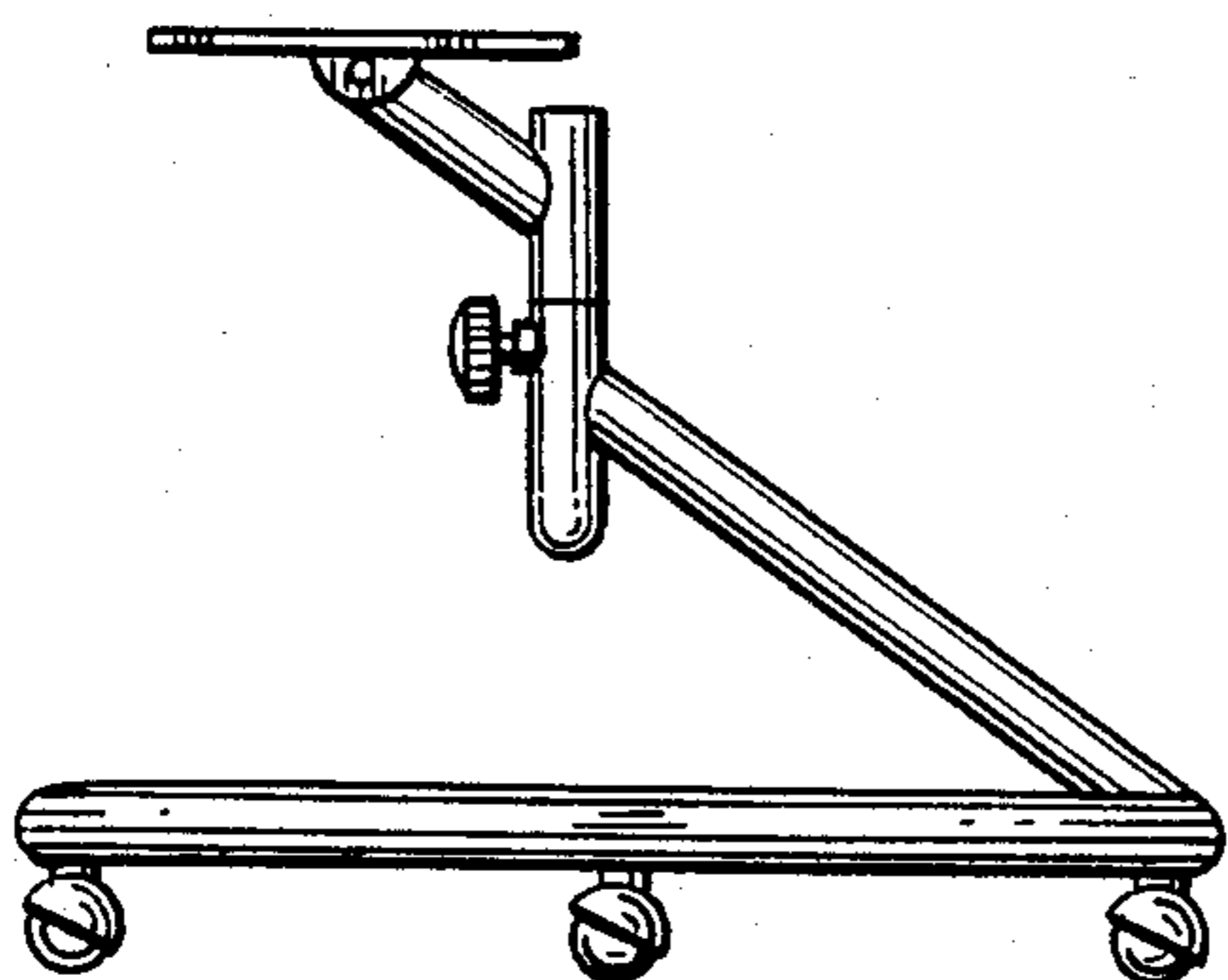
*FIG. 8*



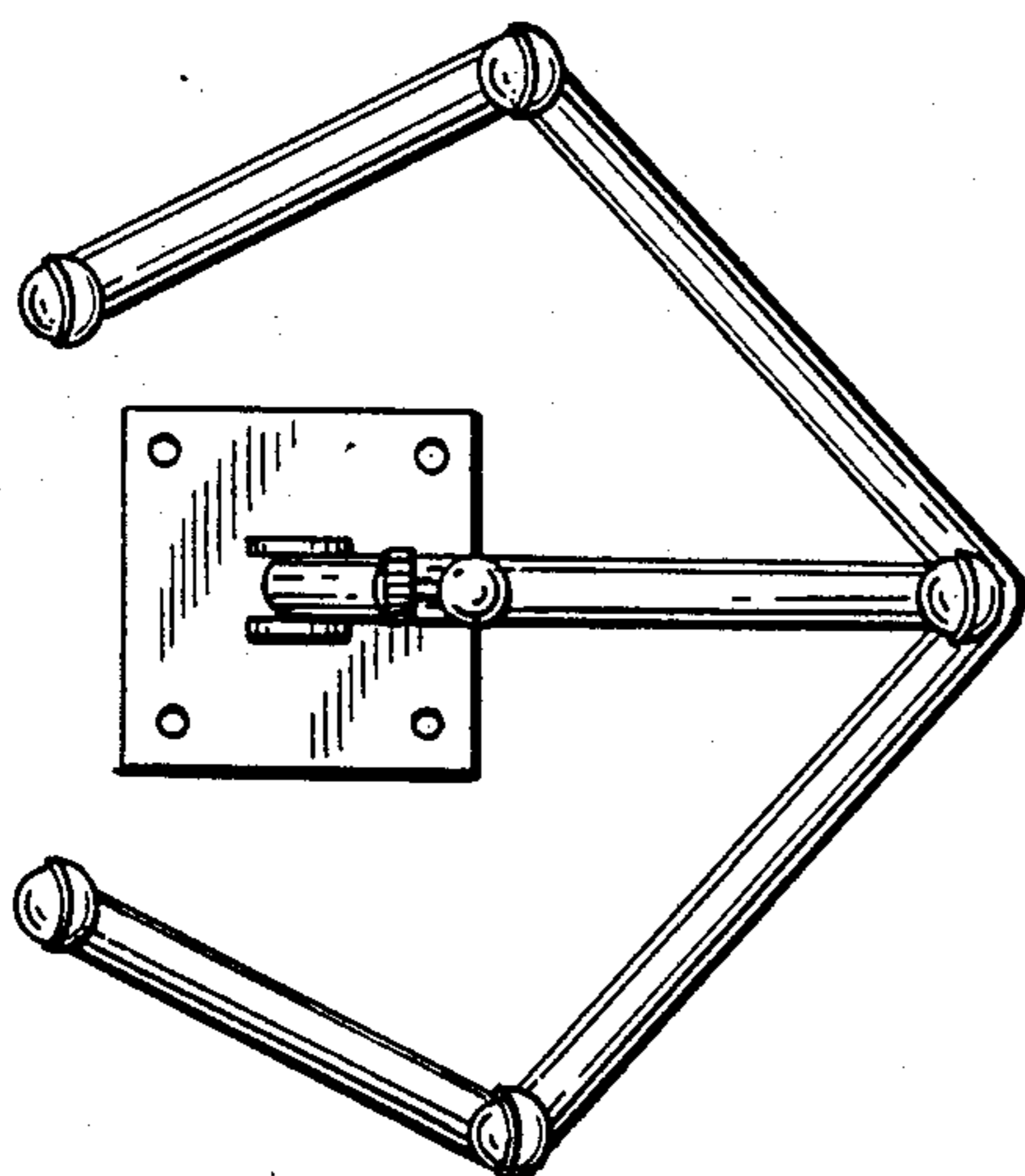
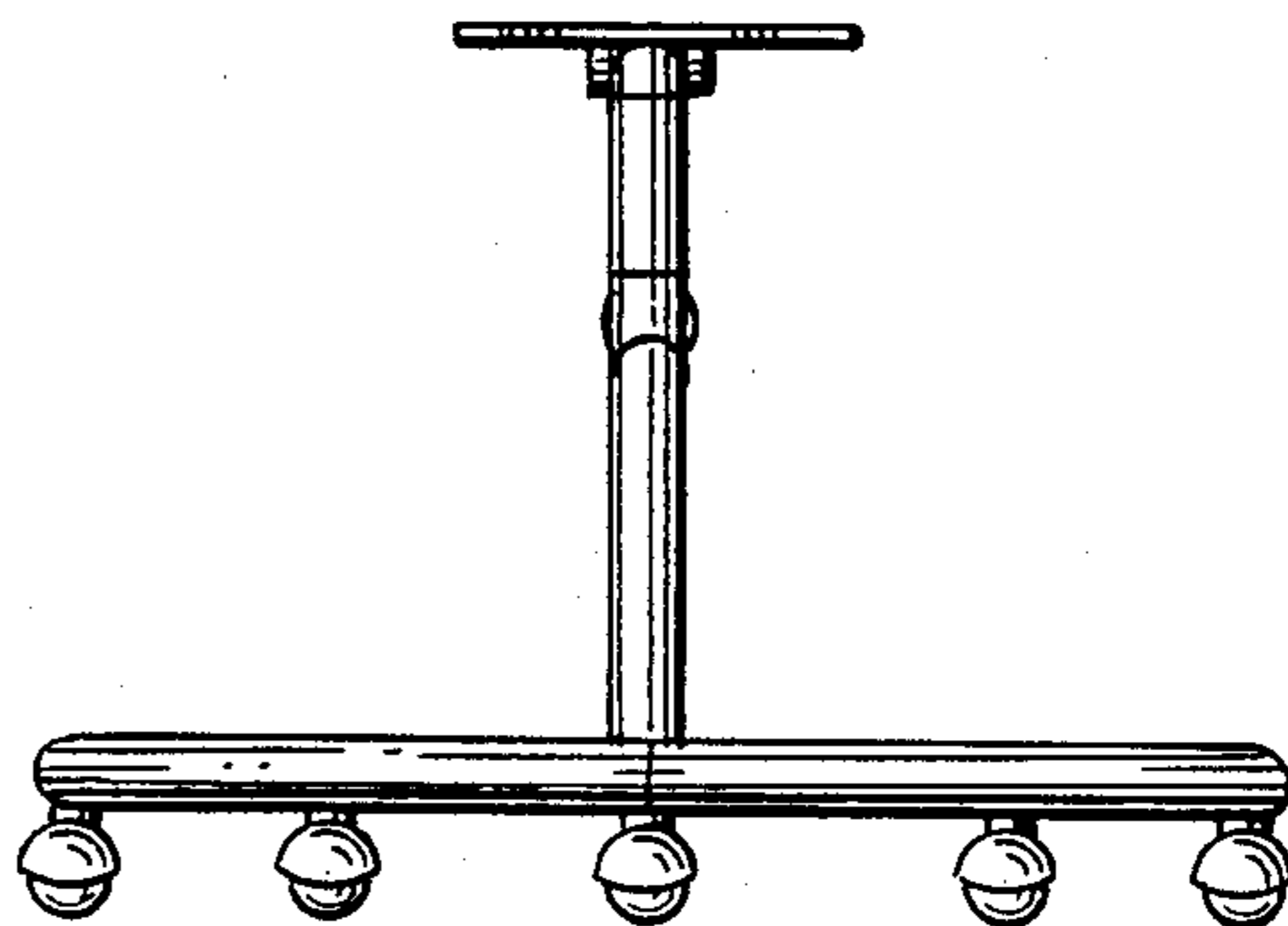
*FIG. 9*



*FIG. 10*



*FIG. 11*



*FIG. 12*