

[54] CONVERTIBLE AUTOMOBILE SEAT

[75] Inventor: Rudy J. Casale, Brooklyn, N.Y.

[73] Assignee: Child Riding Inc., Garden City, N.Y.

[\*\*] Term: 14 Years

[21] Appl. No.: 793,187

[22] Filed: Oct. 31, 1985

[52] U.S. Cl. .... D6/335

[58] Field of Search ..... D6/333, 338, 350, 380, D6/335; 297/238, 236, 276, 277

[56] References Cited

U.S. PATENT DOCUMENTS

D. 234,555	3/1975	Barecki .....	D6/380 X
D. 254,699	4/1980	Nakao et al. ....	D6/338
2,966,201	12/1960	Strahler .....	D6/333 X
3,948,556	4/1976	Hyde et al. ....	297/250
4,230,366	10/1980	Ruds .....	297/238 X
4,540,216	9/1985	Hassel, Sr. ....	297/238
4,555,135	11/1985	Freeland .....	297/238 X

Primary Examiner—Bruce W. Dunkins  
Attorney, Agent, or Firm—Lilling & Greenspan

[57] CLAIM

The ornamental design for a convertible automobile seat, as shown and described.

DESCRIPTION

FIG. 1 is a perspective view of a convertible automobile seat showing my new design in a position for use by an infant;

FIG. 2 is a top plan view of the convertible automobile seat;

FIG. 3 is a side elevational view of the convertible automobile seat;

FIG. 4 is a front elevational view of the convertible automobile seat;

FIG. 5 is a side elevational view showing the side opposite that shown in FIG. 3;

FIG. 6 is a rear elevational view of the convertible automobile seat;

FIG. 7 is a bottom view of the convertible automobile seat; and

FIG. 8 is a perspective view of the convertible automobile seat in a converted position for use by an adult. The broken lines disclosed in FIGS. 1 and 8 have been shown for illustrative purposes only.

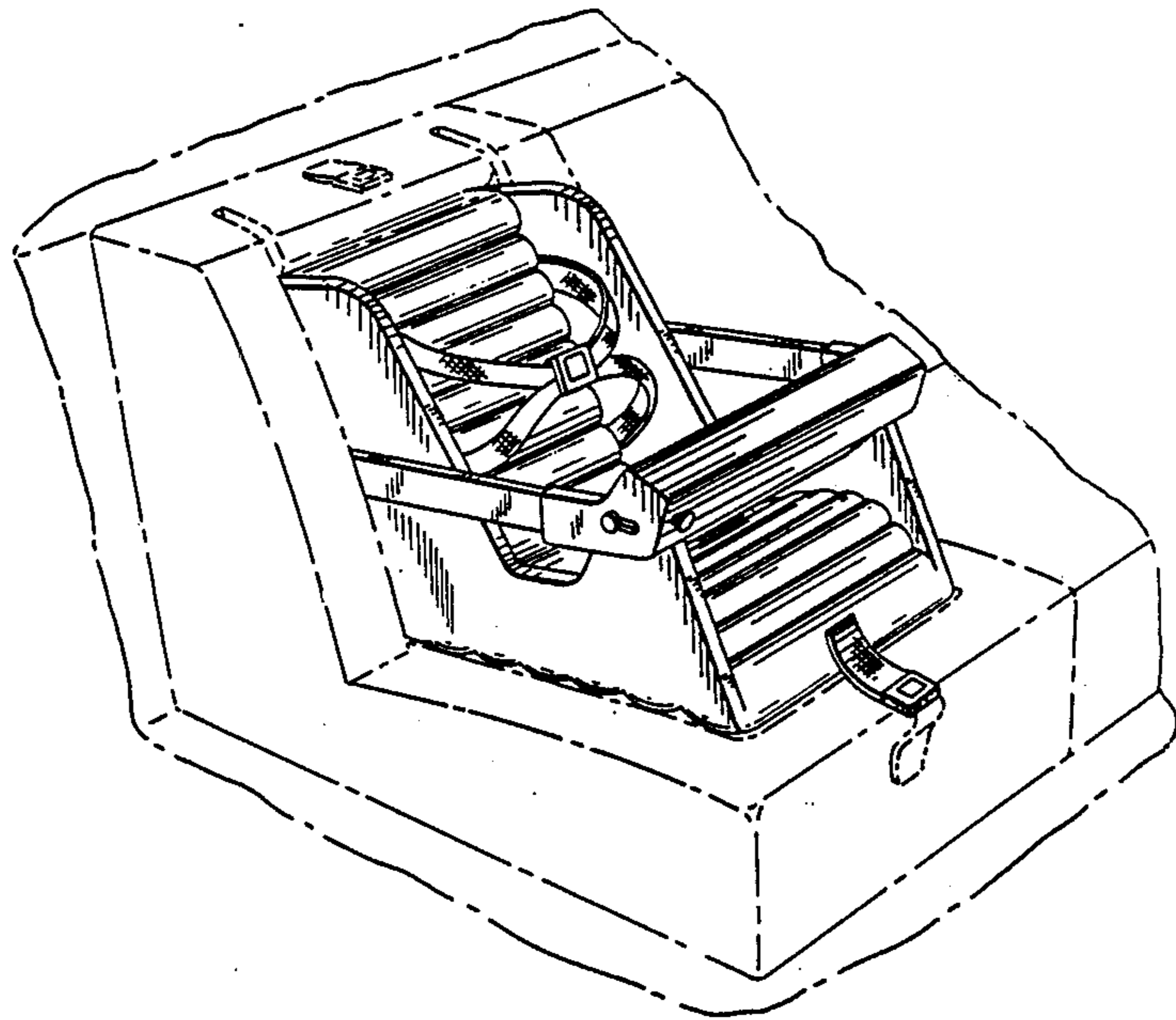


FIG. 1

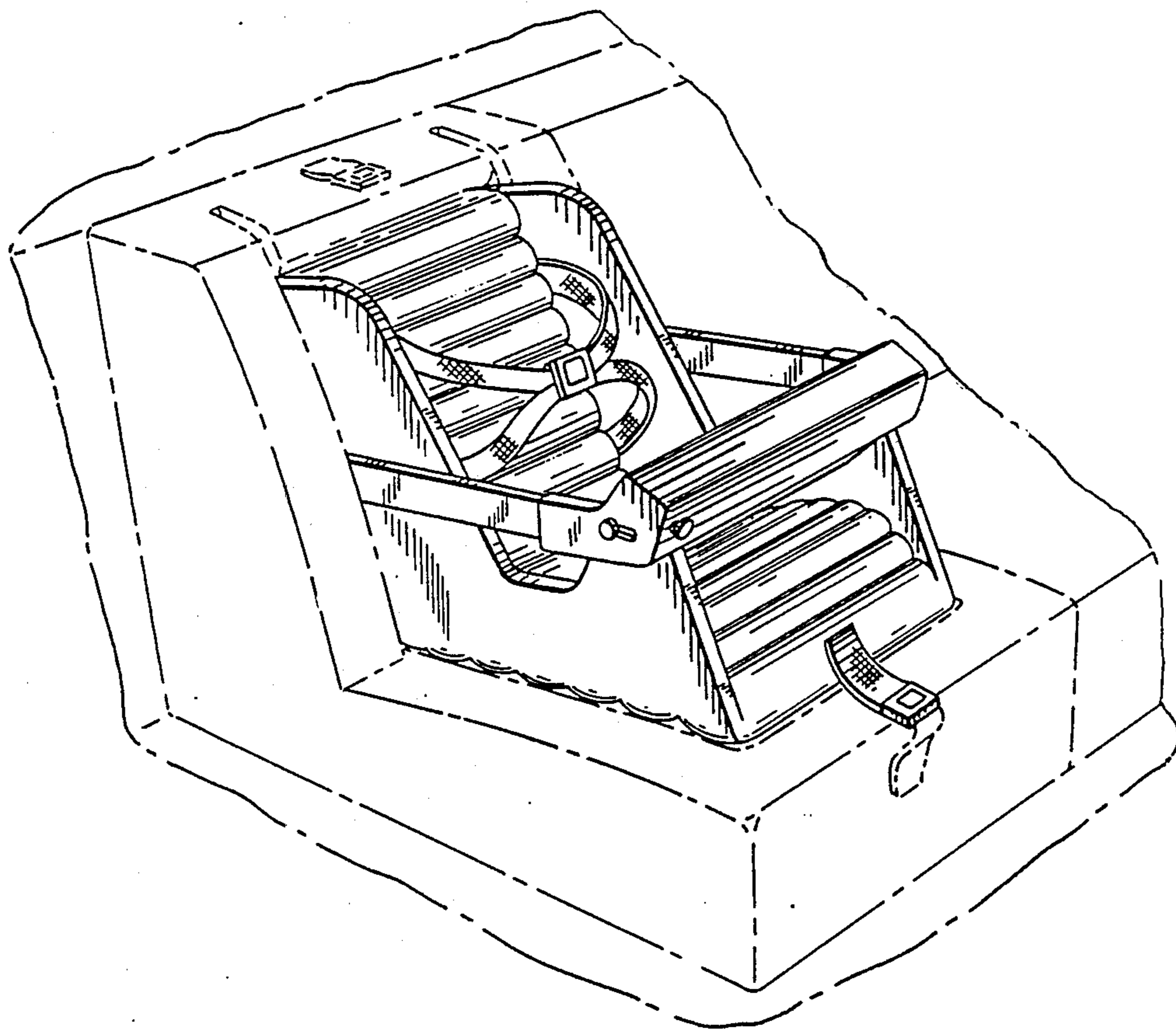


FIG. 2

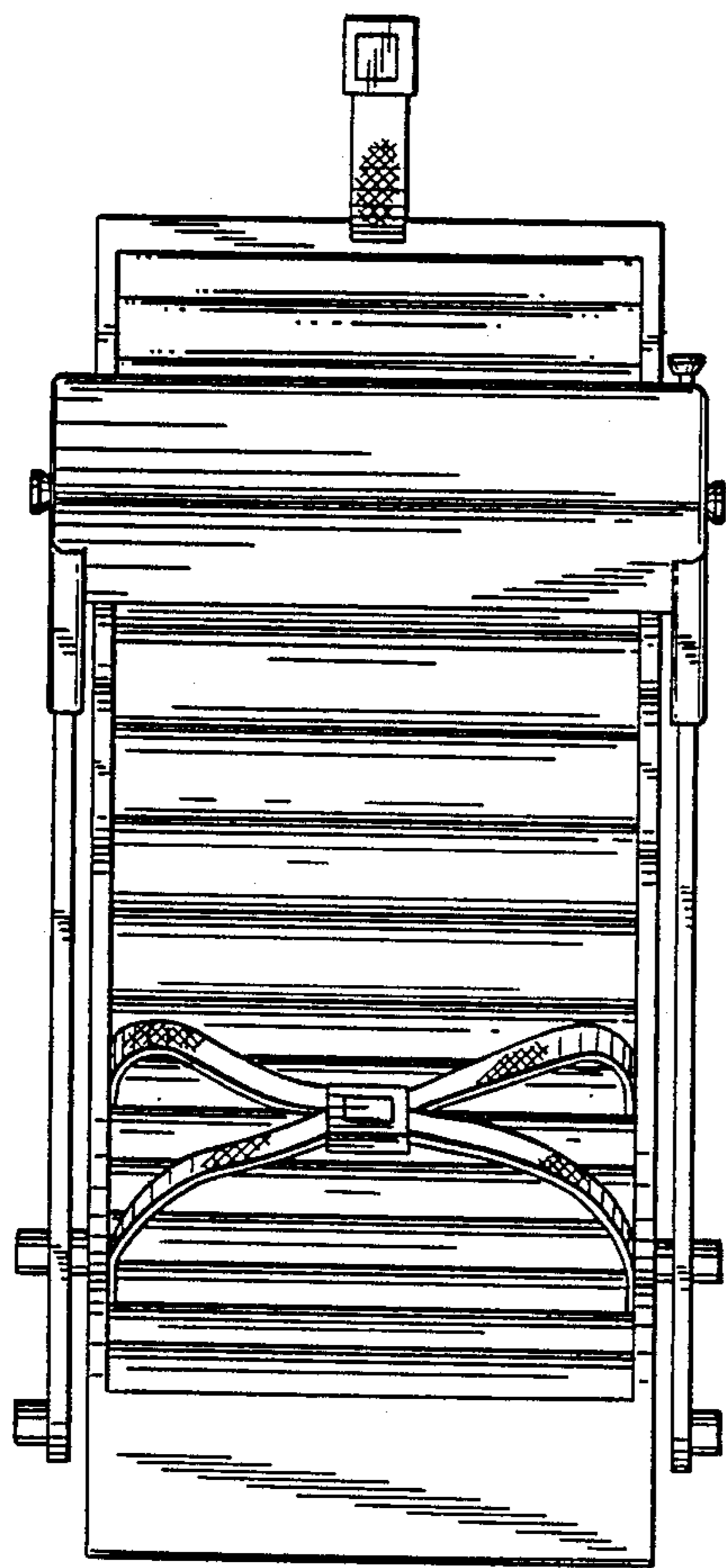


FIG. 4

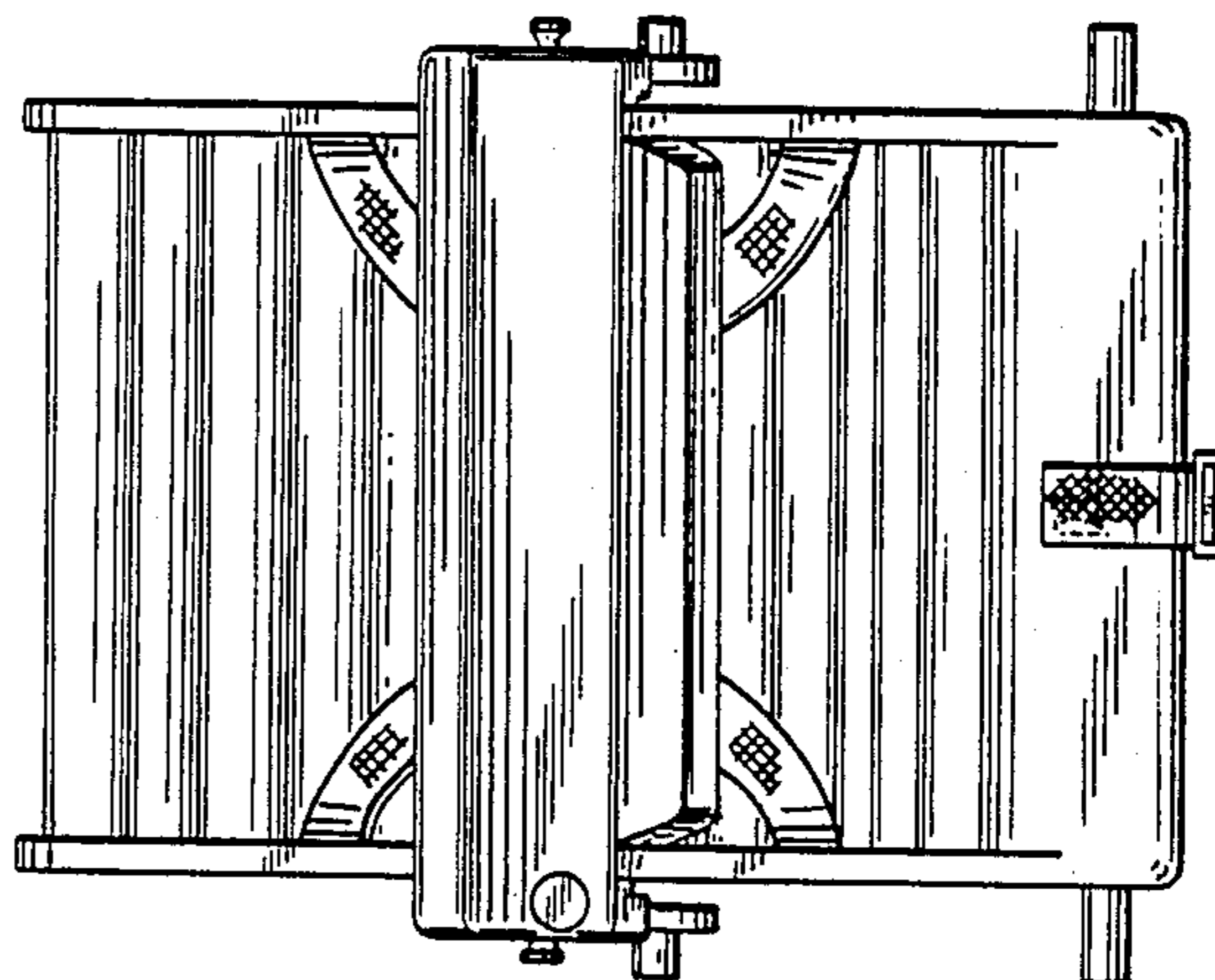
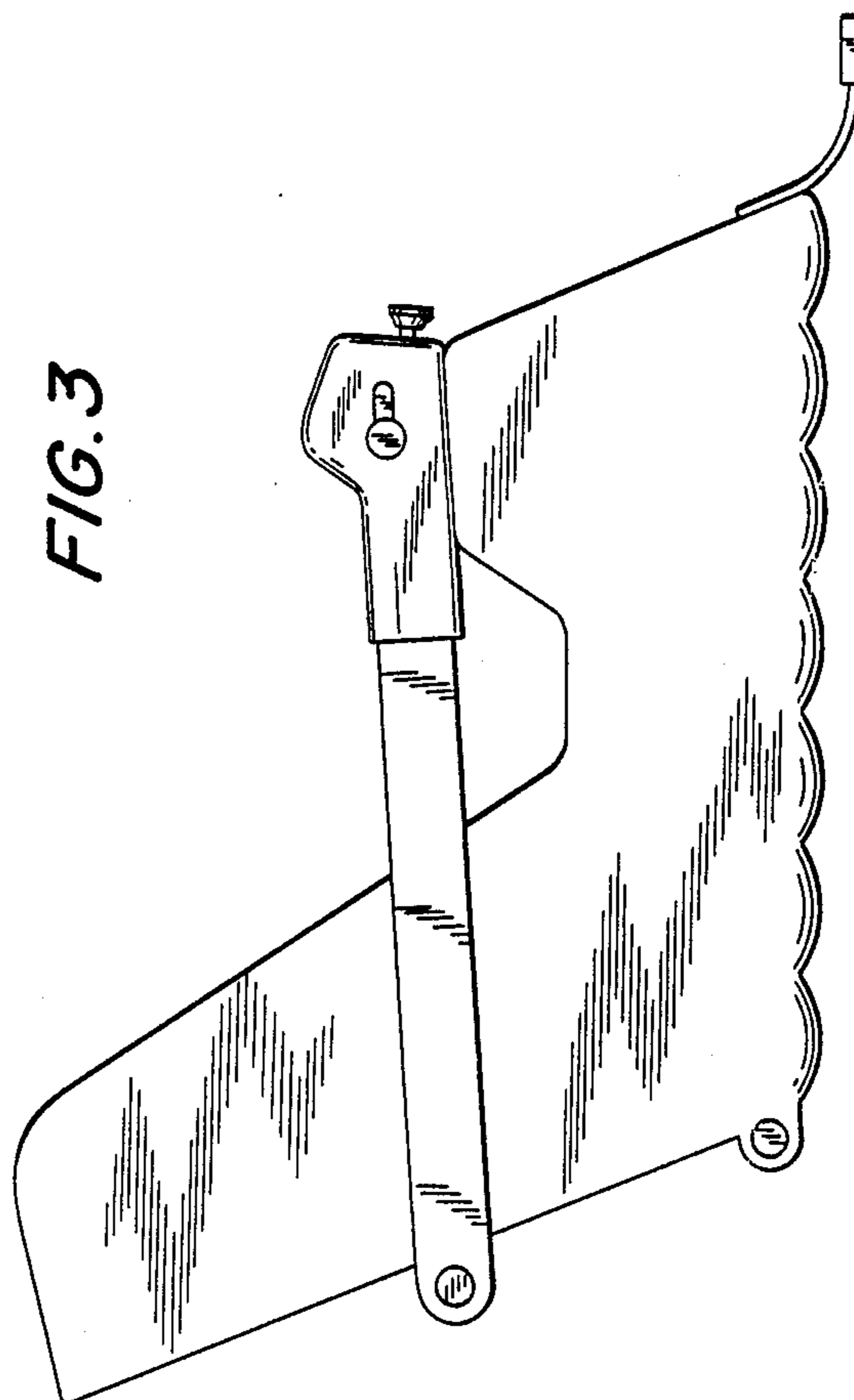


FIG. 3



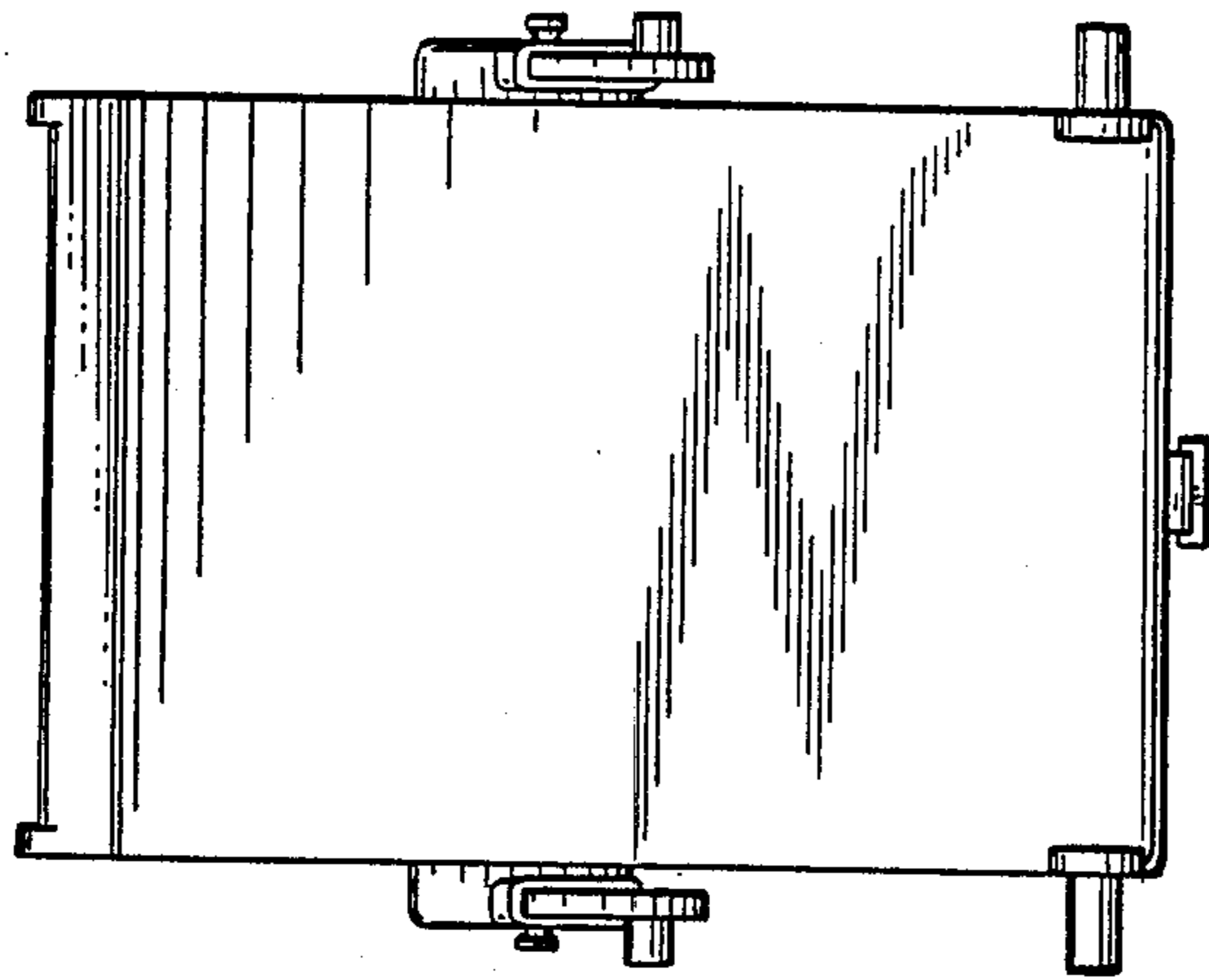


FIG. 6

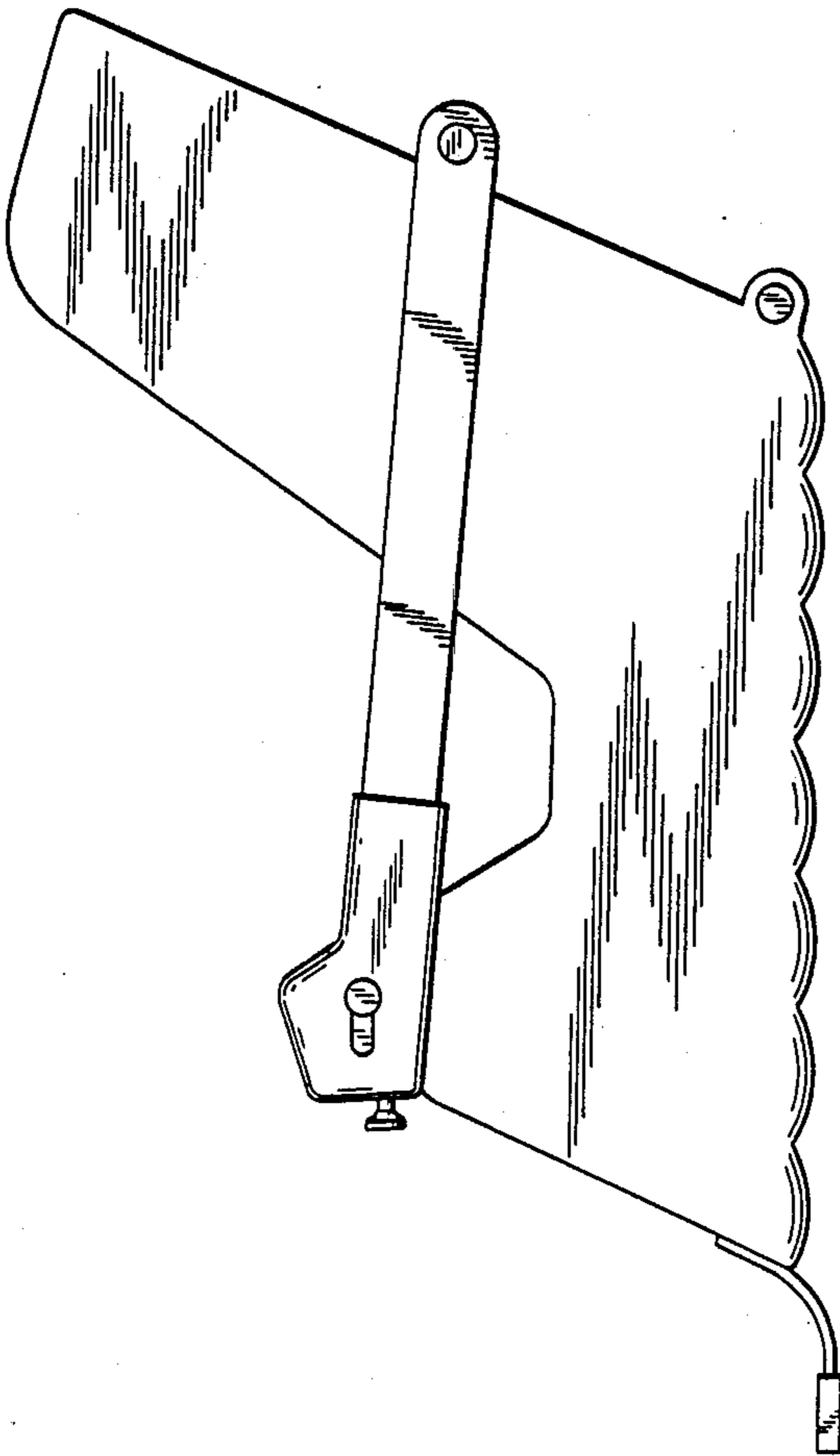


FIG. 5

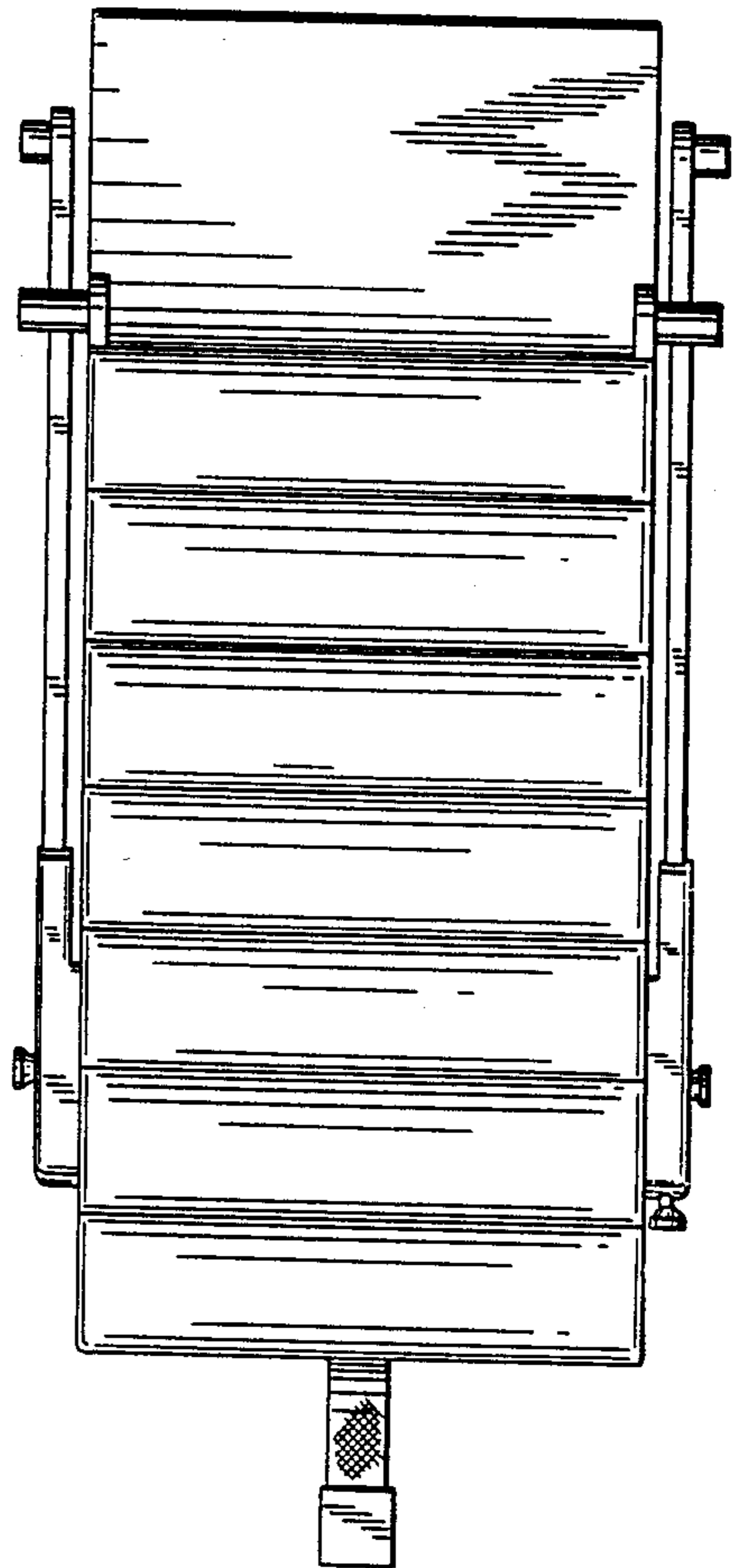


FIG. 7

FIG. 8

