

[54] **HANGER FOR SPORTSMAN'S APPAREL OR THE LIKE**

[76] **Inventor:** Jerome E. Lohnis, 1000 Sycamore Ave., Racine, Wis. 53406

[\*\*] **Term:** 14 Years

[21] **Appl. No.:** 126,288

[22] **Filed:** Nov. 27, 1987

[52] **U.S. Cl.** ..... D6/319

[58] **Field of Search** ..... D6/315, 317, 318, 319; 211/113, 119; 223/85, 87, 88, 92, 95

[56] **References Cited**

**U.S. PATENT DOCUMENTS**

D. 87,707	9/1932	Bernat	.....	D6/319
D. 229,914	1/1974	Lindemann	.....	D6/315
D. 279,627	7/1985	Morin	.....	D6/319
1,619,992	3/1927	Smith	.	
2,117,178	5/1938	Klein	.....	D6/317
2,191,714	2/1940	Gustin	.....	D6/319
2,549,588	4/1951	Fillenbaum	.....	223/88
2,601,926	7/1952	Speaker et al.	.....	211/113
3,087,660	4/1963	Warmath	.....	223/88

3,406,882	10/1968	Phillips	.....	223/88
3,870,206	3/1975	Feinberg	.....	223/80

*Primary Examiner*—B. J. Bullock  
*Attorney, Agent, or Firm*—Quarles & Brady

[57] **CLAIM**

The ornamental design for a hanger for sportsman's apparel or the like, as shown and described.

**DESCRIPTION**

FIG. 1 is a top perspective view of a hanger for sportsman's apparel or the like, showing my new design;  
FIG. 2 is a front elevational view thereof;  
FIG. 3 is a rear elevational view thereof;  
FIG. 4 is a right end elevational view thereof;  
FIG. 5 is a top plan view thereof;  
FIG. 6 is a bottom plan view thereof;  
FIG. 7 is a top perspective view of a second embodiment of the design of FIG. 1;  
FIG. 8 is a front elevational view of FIG. 7;  
FIG. 9 is a rear elevational view of FIG. 7;  
FIG. 10 is a right end elevational view of FIG. 7;  
FIG. 11 is a top plan view of FIG. 7;  
FIG. 12 is a bottom plan view of FIG. 7.

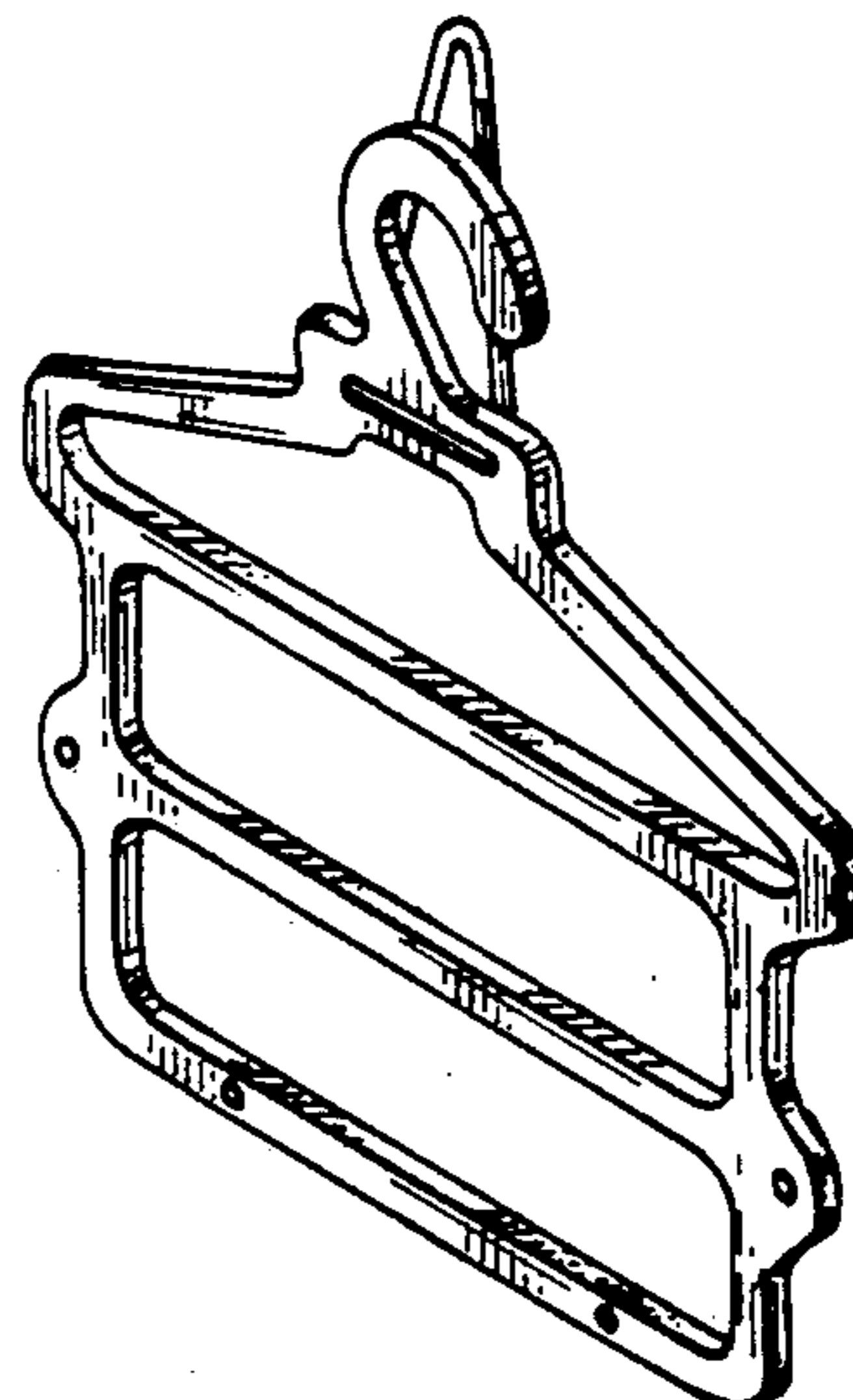
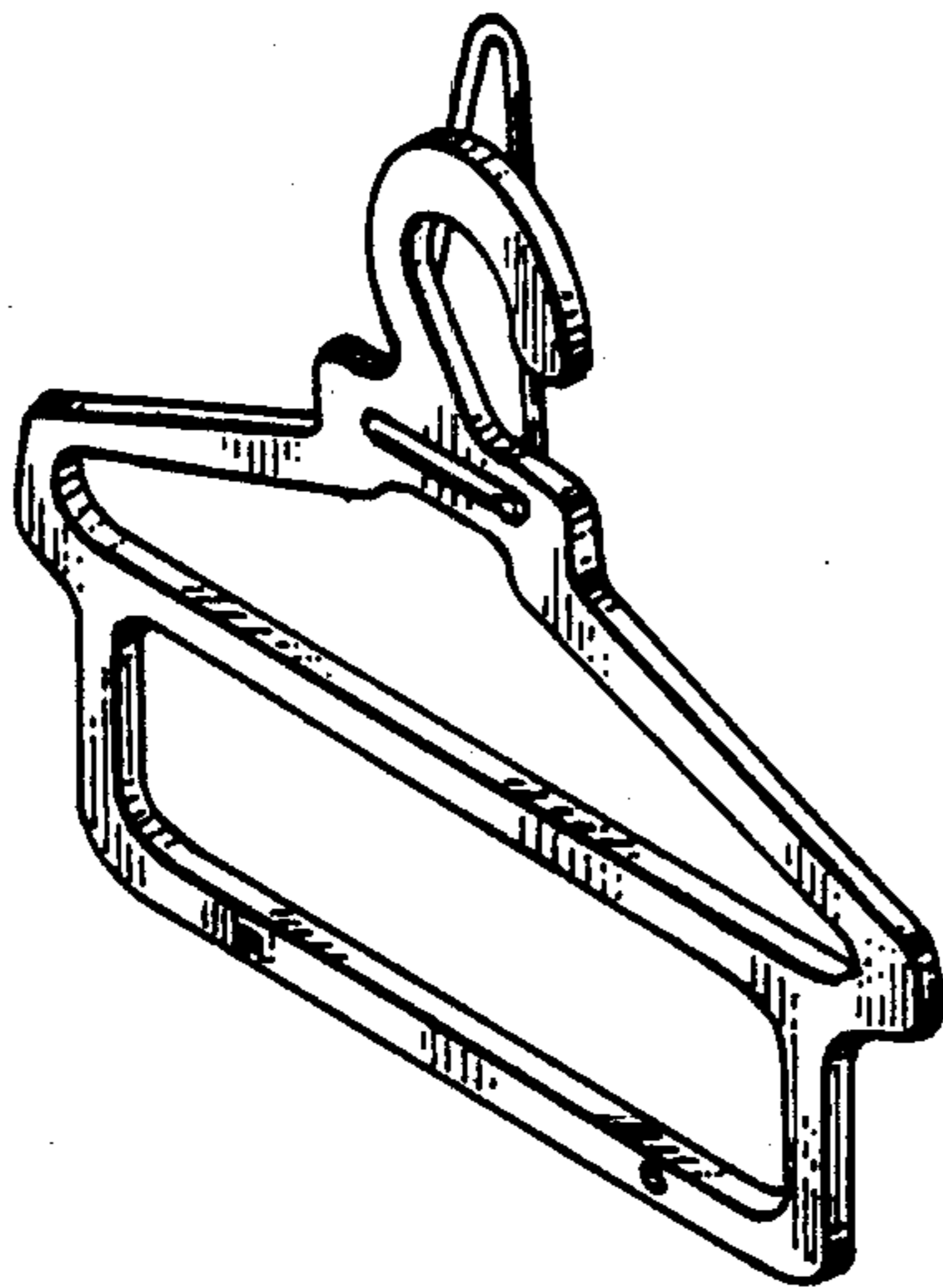


FIG. 1.

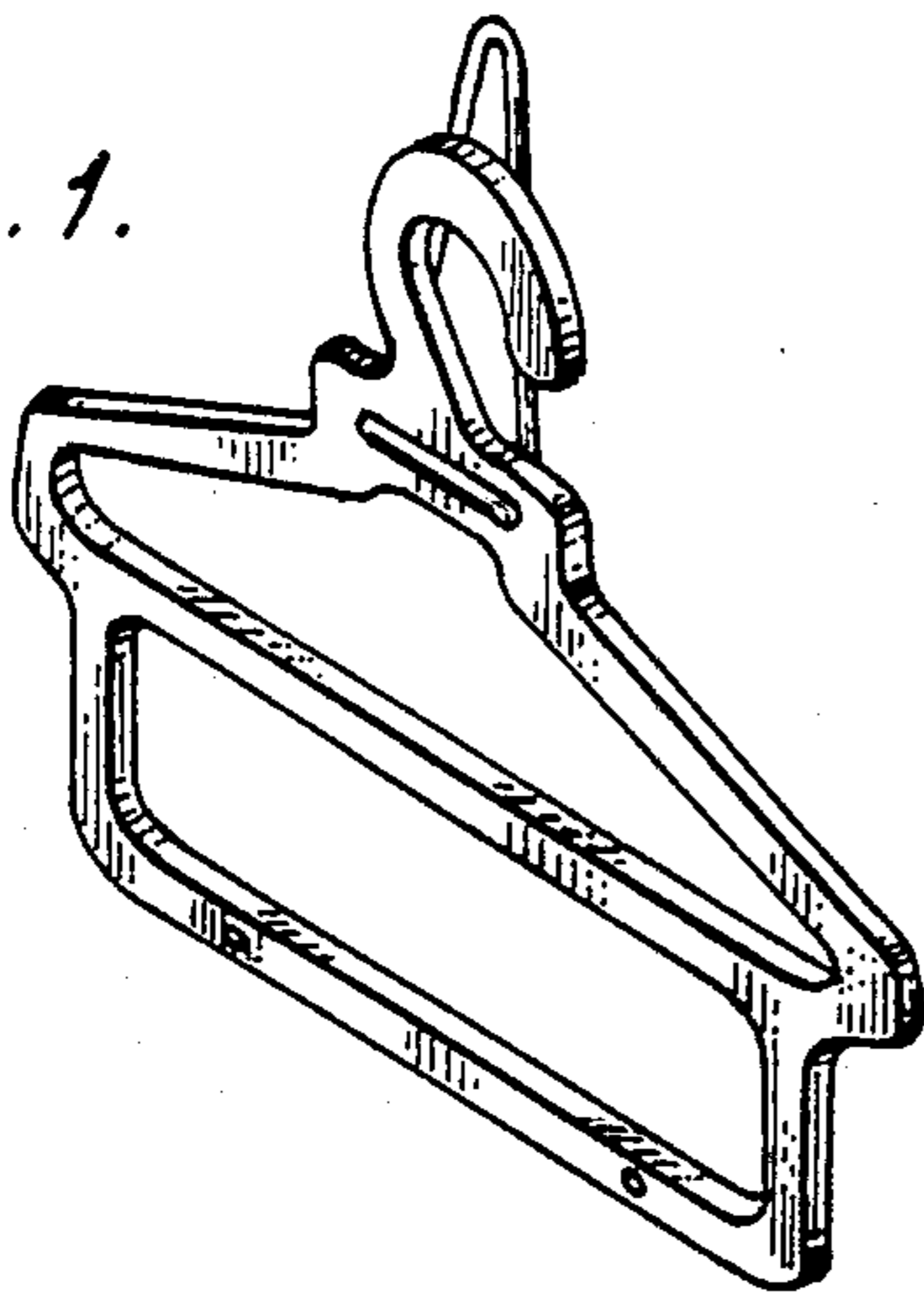


FIG. 2.

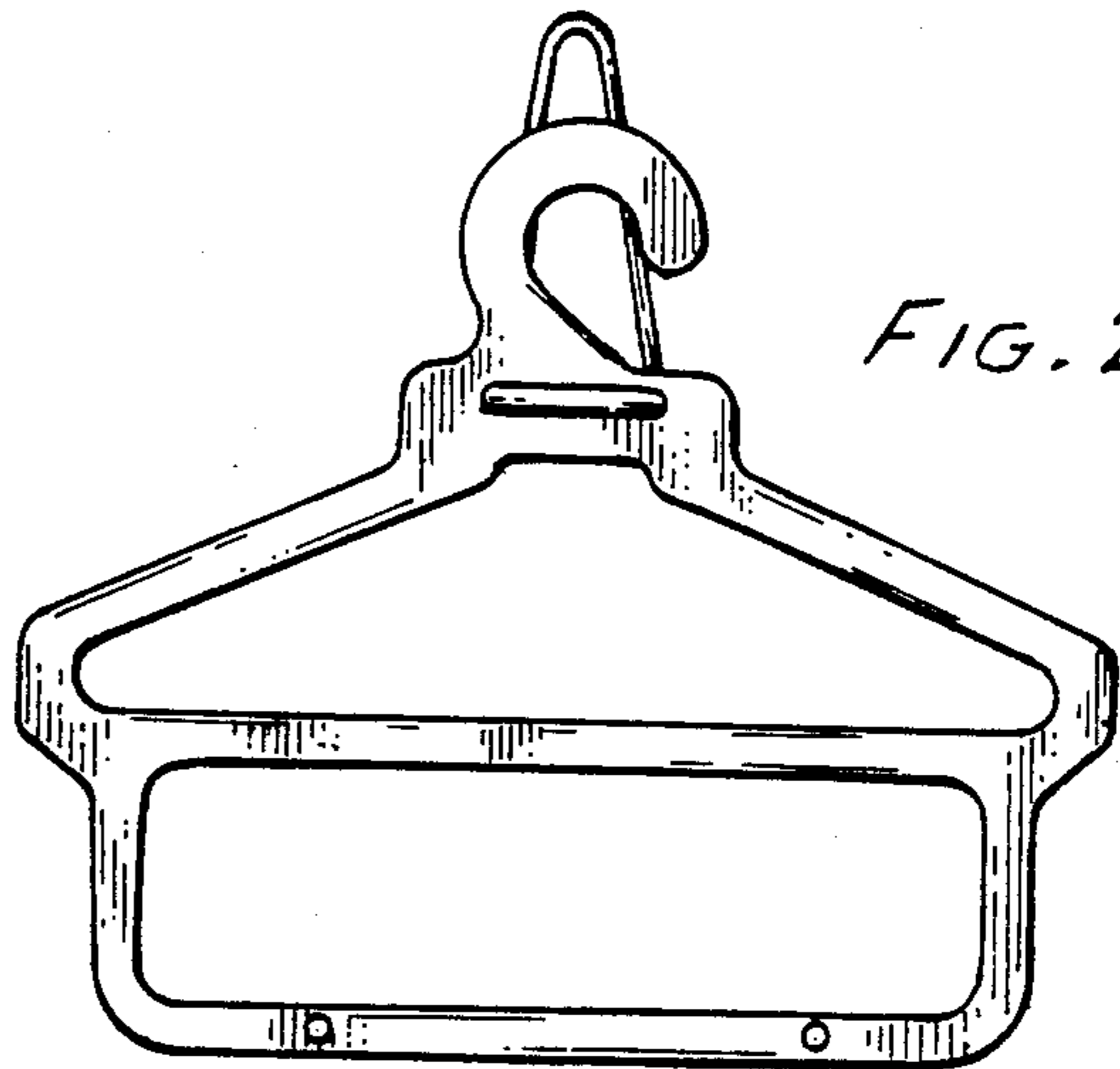


FIG. 3.

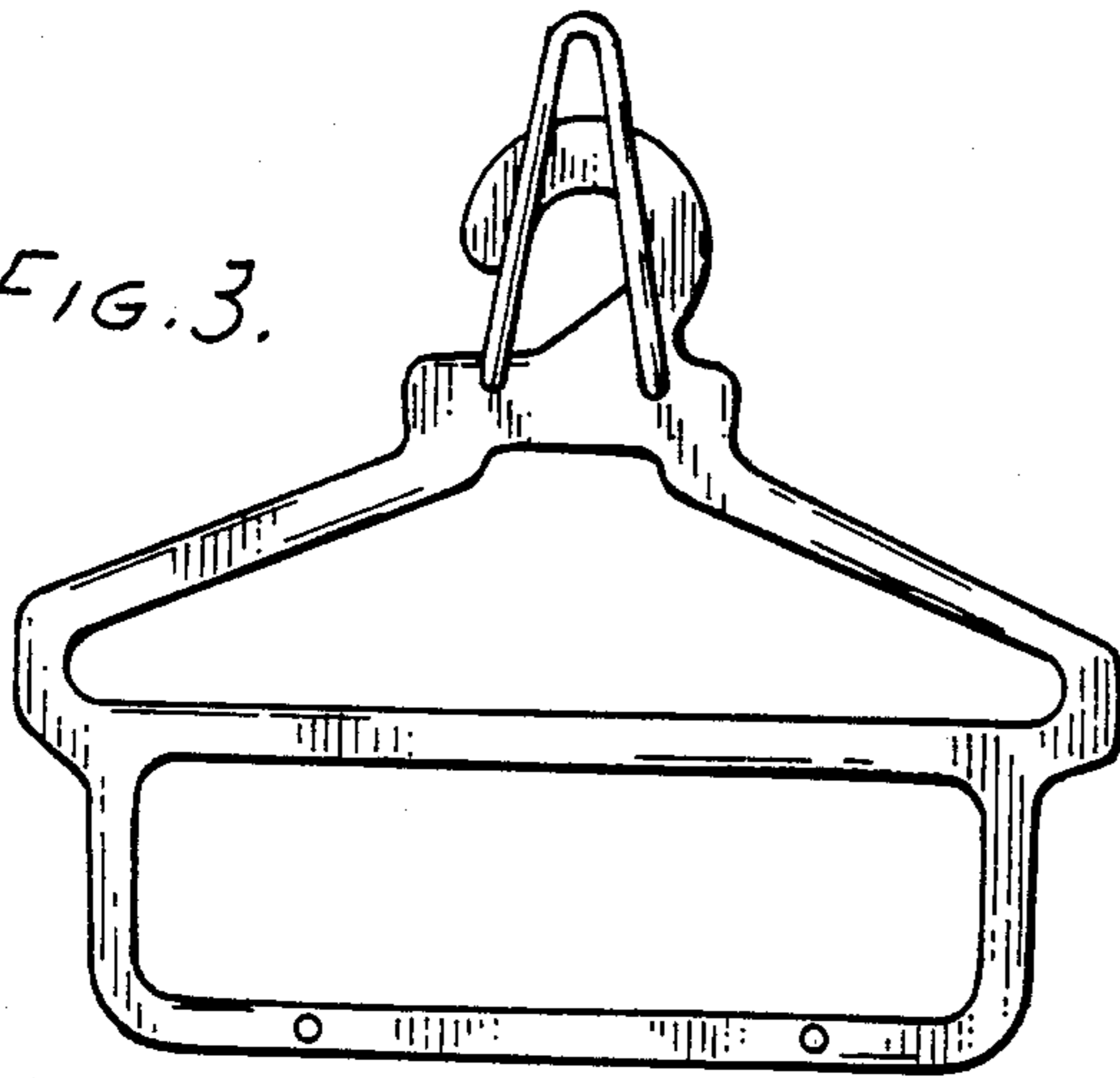


FIG. 4.



FIG. 5.

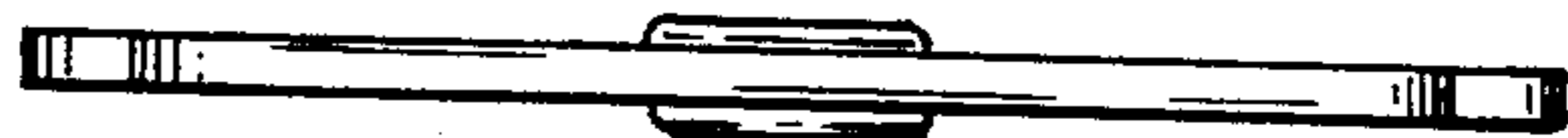


FIG. 6.

