

[54] INDEXING TURNSTILE FOR ENDLESS CHAIN CONVEYORS

3,474,691 10/1969 Levin et al. 409/221
4,617,720 10/1986 Palfery et al. 409/221
4,712,283 12/1987 Bertorello 198/345

[75] Inventor: John F. Miller, Howell, Mich.

Primary Examiner—Bruce W. Dunkins
Assistant Examiner—Ruth Takemoto
Attorney, Agent, or Firm—Bertram F. Claeboe

[73] Assignee: Phillips Industries, Inc., Dayton, Ohio

[**] Term: 14 Years

[57] CLAIM

[21] Appl. No.: 877,722

The ornamental design for an indexing turnstile for endless chain conveyors, as shown.

[22] Filed: Jun. 23, 1986

[52] U.S. Cl. D34/29

DESCRIPTION

[58] Field of Search D15/138, 140-141;
409/221, 222, 223, 225; 408/71; D34/28-29;
198/339.1, 334, 335, 474.1

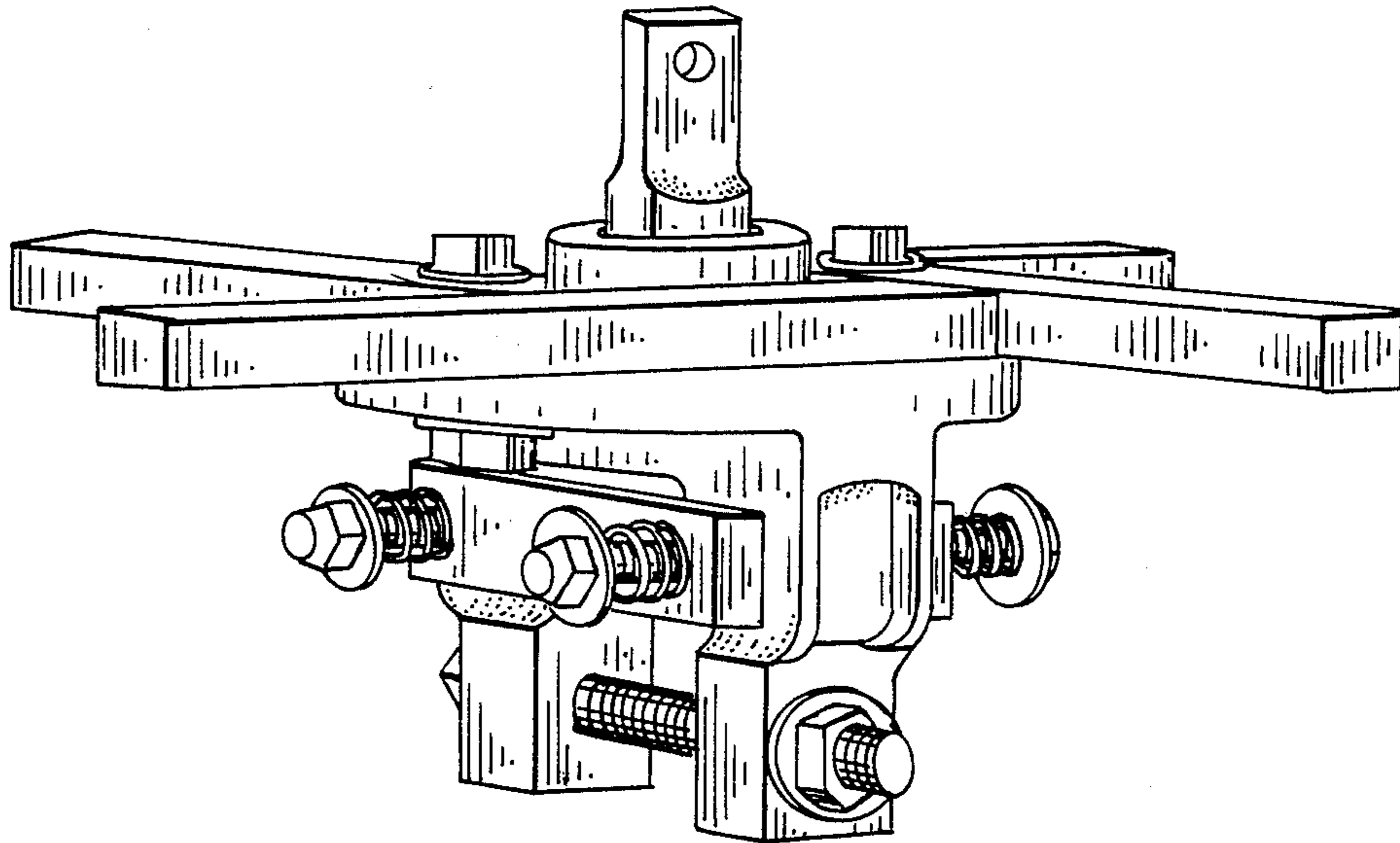
FIG. 1 is a perspective view of an indexing turnstile for endless chain conveyors showing my new design; FIG. 2 is a top plan view thereof; FIG. 3 is an end elevational view thereof; and FIG. 4 is a bottom plan view thereof.

[56] References Cited

U.S. PATENT DOCUMENTS

D. 231,663 5/1974 Pingel D8/71
3,026,746 3/1962 Mueller et al. 409/221

The arms shown in FIGS. 3 and 4 are shown broken away for ease of illustration and are understood to represent indeterminate length.



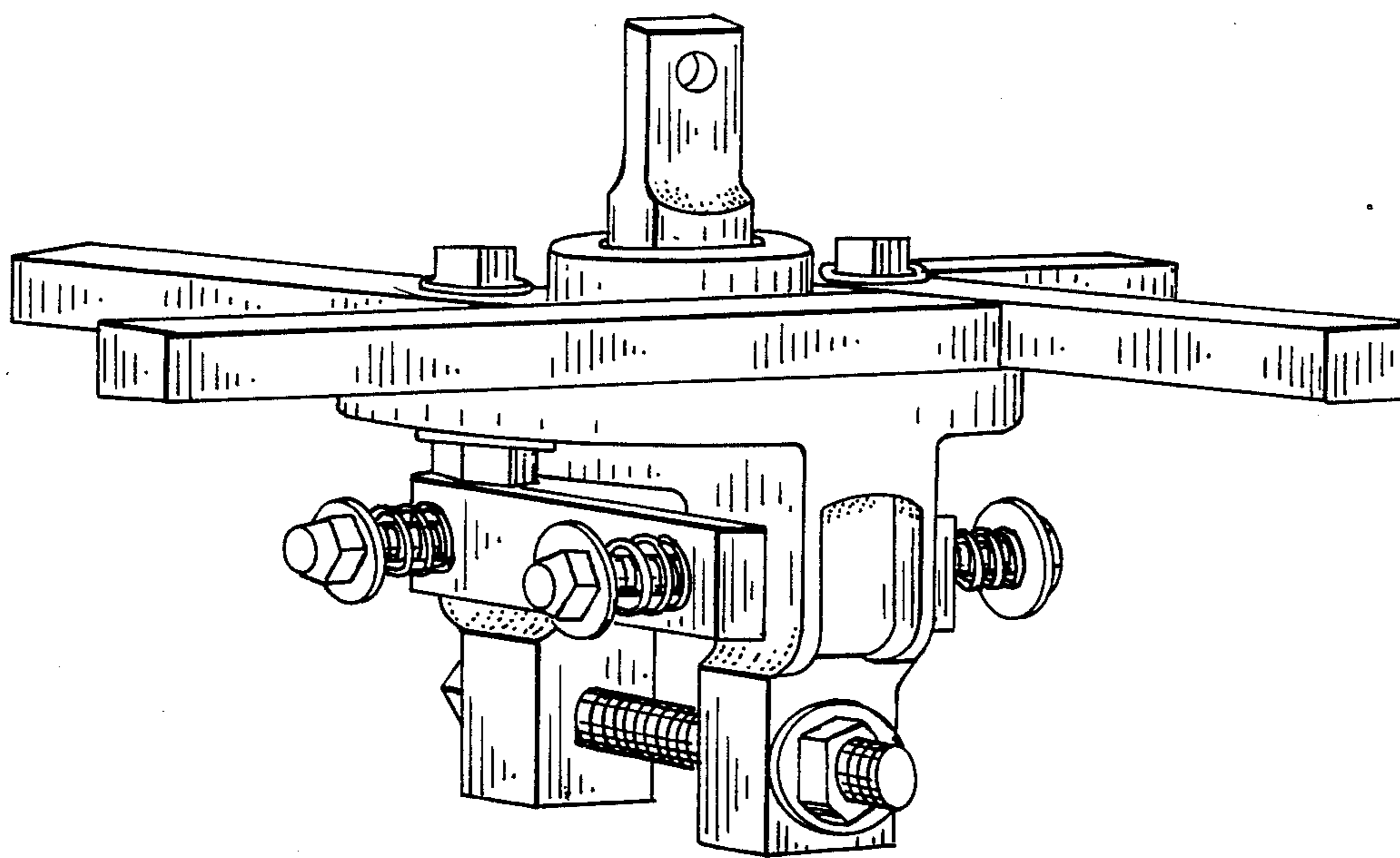


FIG. 1

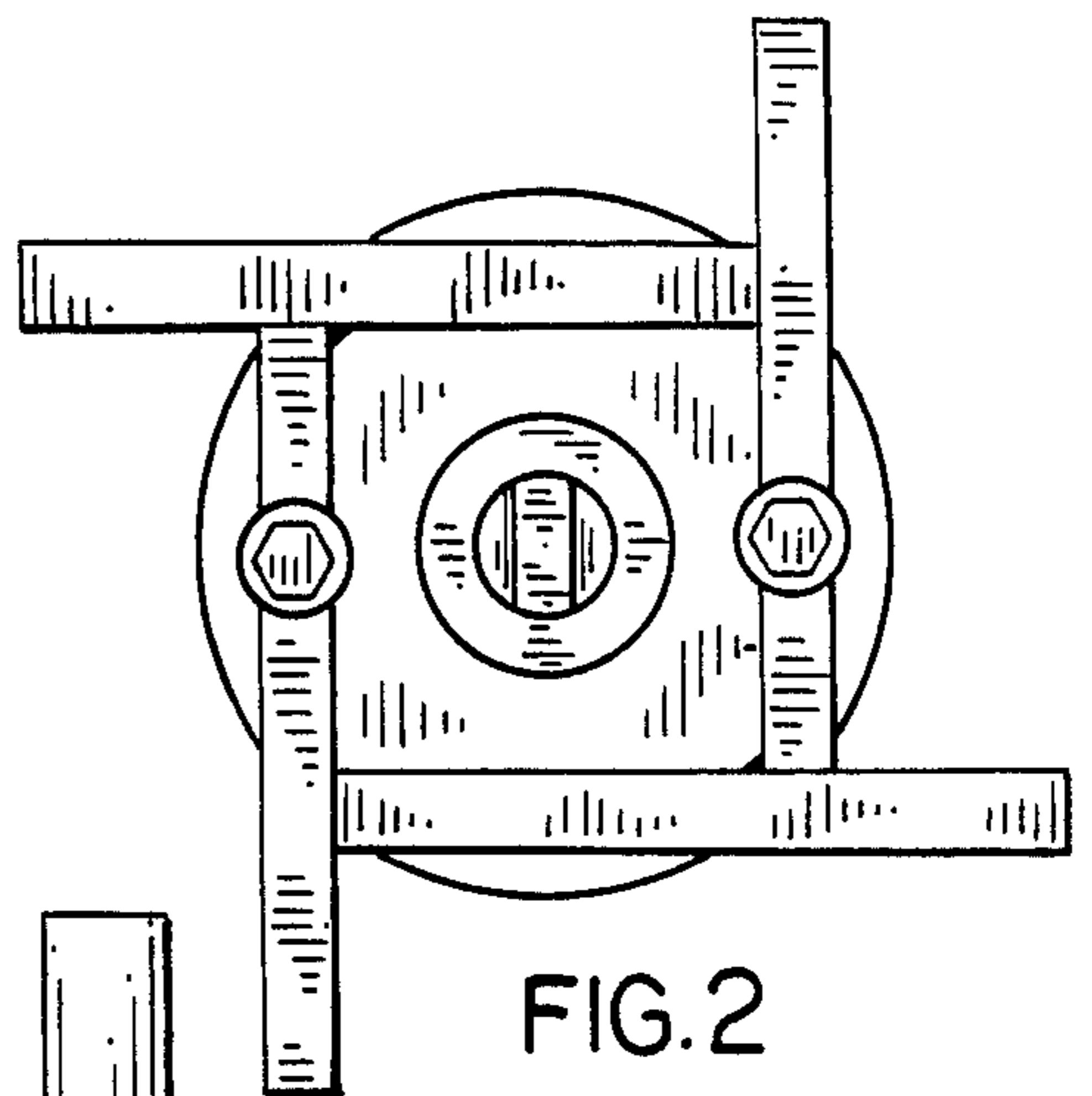


FIG. 2

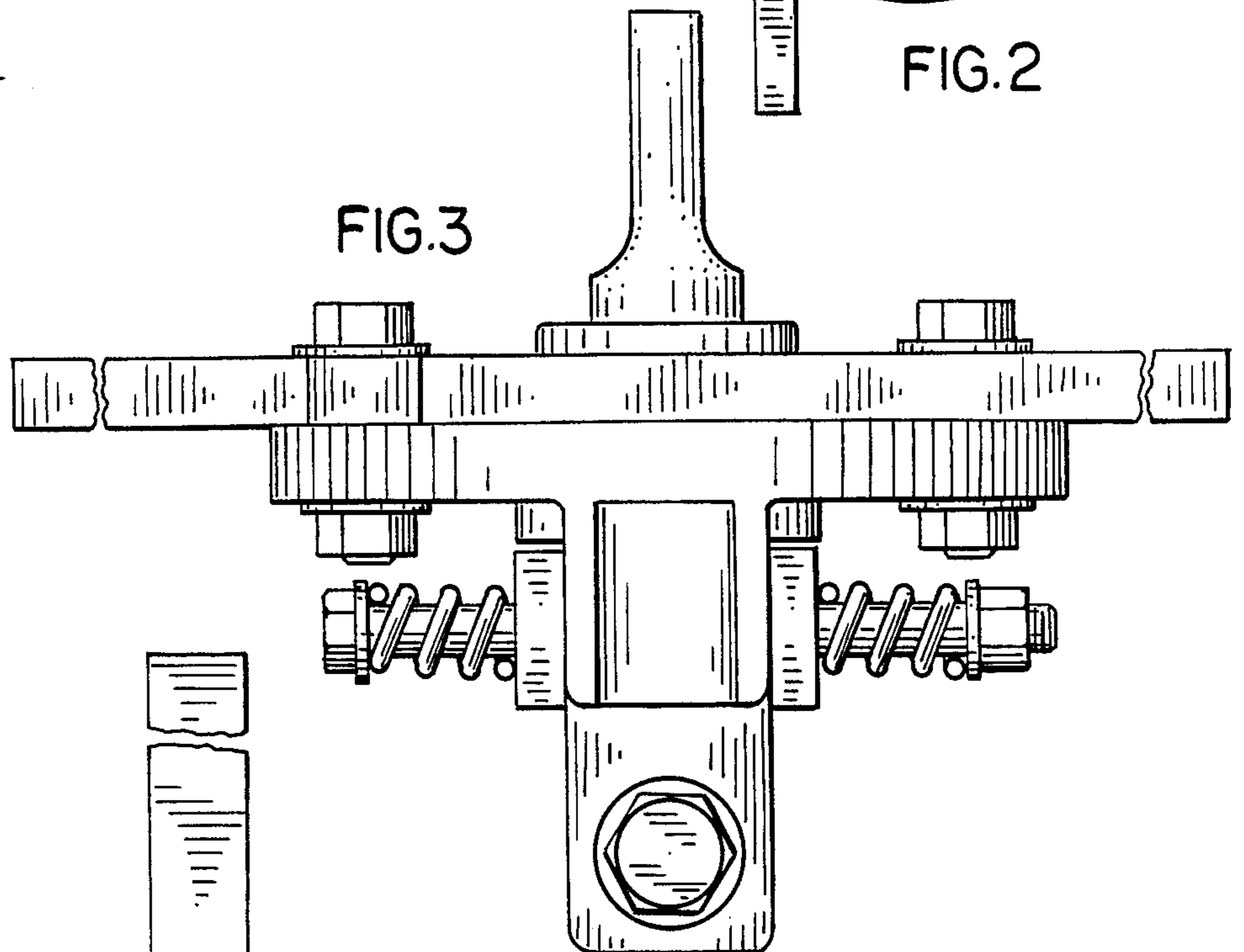


FIG. 3

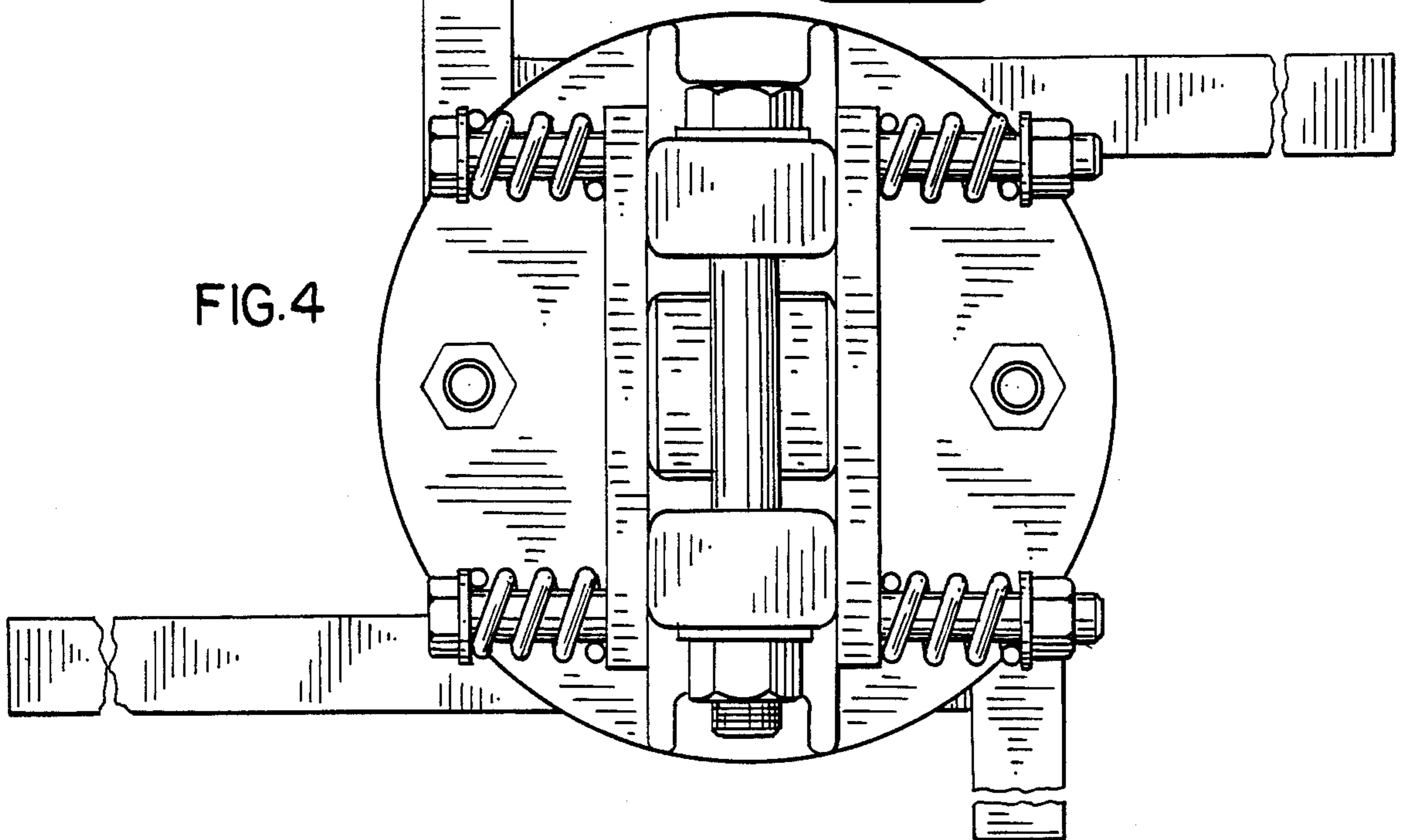


FIG. 4