

# United States Patent [19]

Von Bischoffshausen

[11] Patent Number: **Des. 301,177**

[45] Date of Patent: **\*\* May 16, 1989**

[54] **CONNECTION TUBE FOR A VACUUM CLEANER**

[75] Inventor: **Wilfried Von Bischoffshausen,**  
Hoffnungsthal Bez. Köln, Fed. Rep.  
of Germany

[73] Assignee: **Aktiebolaget Electrolux, Stockholm,**  
Sweden

[\*\*] Term: **14 Years**

[21] Appl. No.: **912,814**

[22] Filed: **Sep. 26, 1986**

[30] **Foreign Application Priority Data**

Mar. 27, 1986 [SE] Sweden ..... 86-10769

[52] U.S. Cl. .... **D32/31**

[58] Field of Search ..... **D32/31-33;**  
285/7; 15/415 R, 415 A, 414, 418-422, 322;  
138/118, 118.1, 119, 121, 122; D23/264, 387

[56] **References Cited**

### U.S. PATENT DOCUMENTS

D. 294,414 2/1988 Berfield et al. .... D32/31  
981,893 1/1911 Spencer ..... 285/7

2,233,471 3/1941 Clements ..... 285/7  
2,326,439 8/1943 Clements ..... 285/7  
3,239,244 3/1966 Leinfelt ..... 285/7  
3,282,609 11/1966 Van der Ham ..... 285/7  
3,553,629 1/1971 Brown et al. .... 285/7  
4,662,404 5/1987 LeVeen et al. .... 138/118

### OTHER PUBLICATIONS

Merchandising Week, vol. 108, 1/1976, p. 22, "Eureka Attachments".

*Primary Examiner*—Bruce W. Dunkins

*Assistant Examiner*—Ruth Takemoto

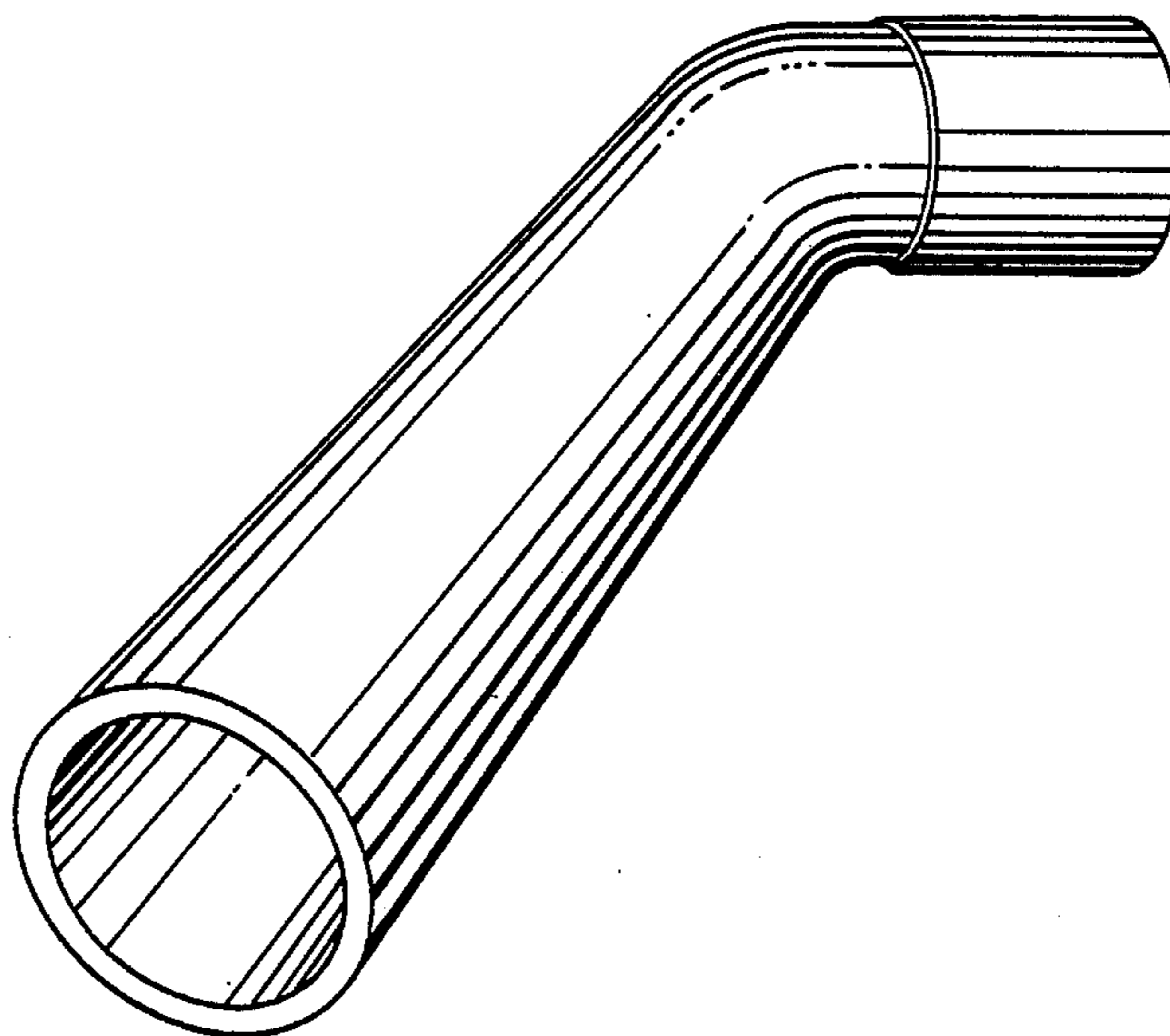
*Attorney, Agent, or Firm*—Alfred E. Miller

[57] **CLAIM**

The ornamental design for a connection tube for a vacuum cleaner, as shown and described.

### DESCRIPTION

FIG. 1 is an end perspective view of a connection tube for a vacuum cleaner showing my new design; FIG. 2 is another end perspective view thereof; FIG. 3 is a side elevational view thereof; and FIG. 4 is a side elevational view thereof, of the opposite side of FIG. 3.



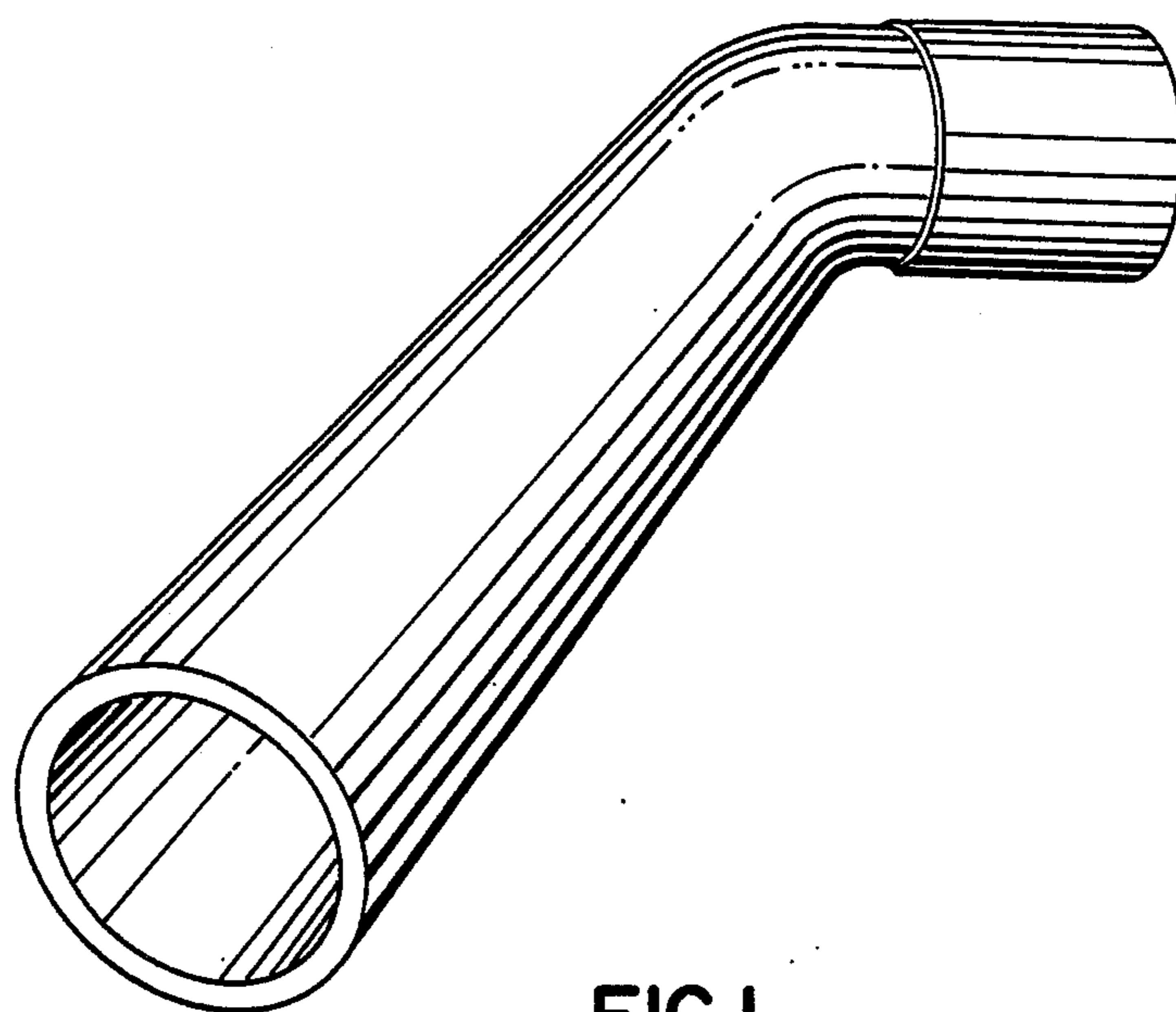


FIG. 1

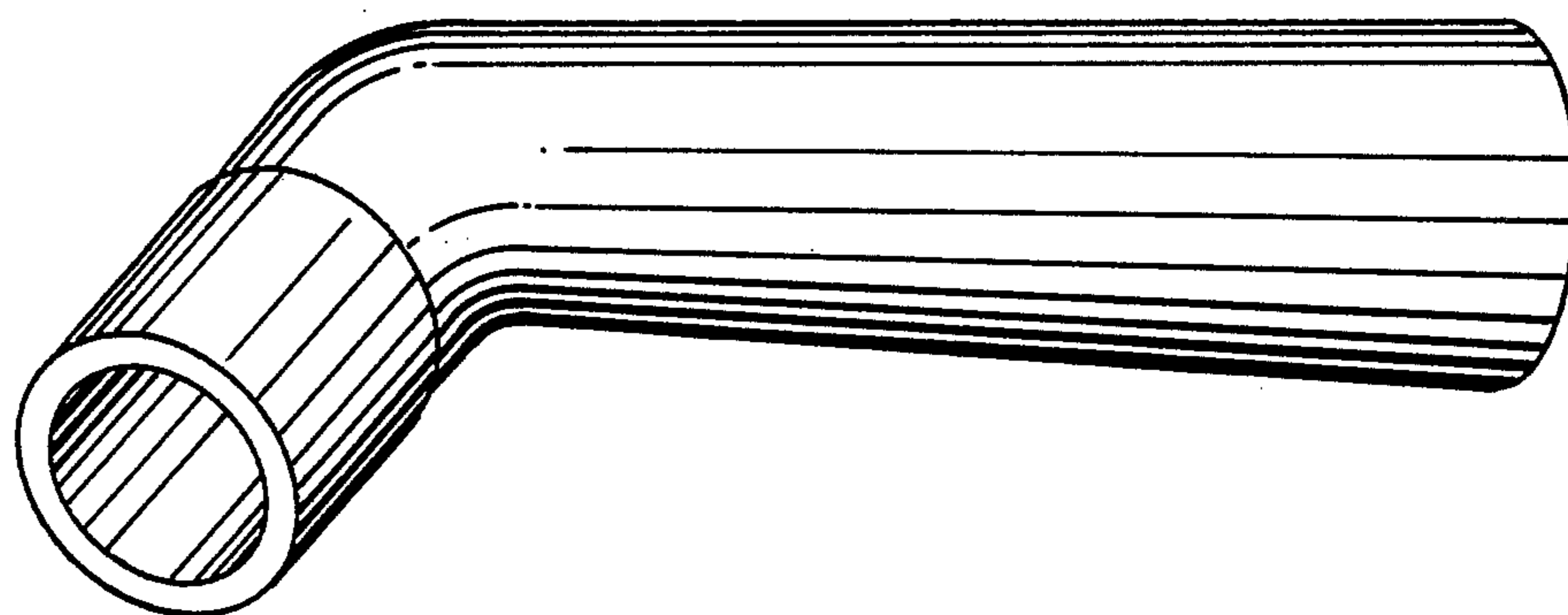


FIG. 2

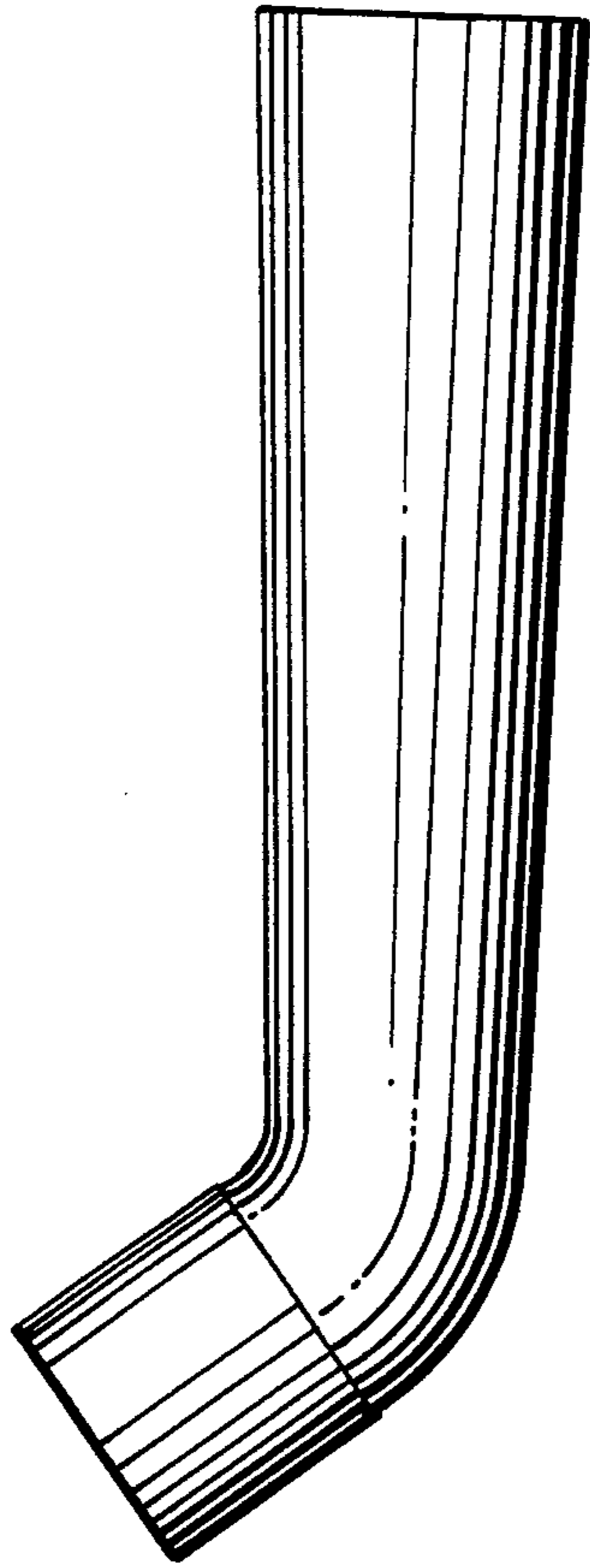


FIG. 3

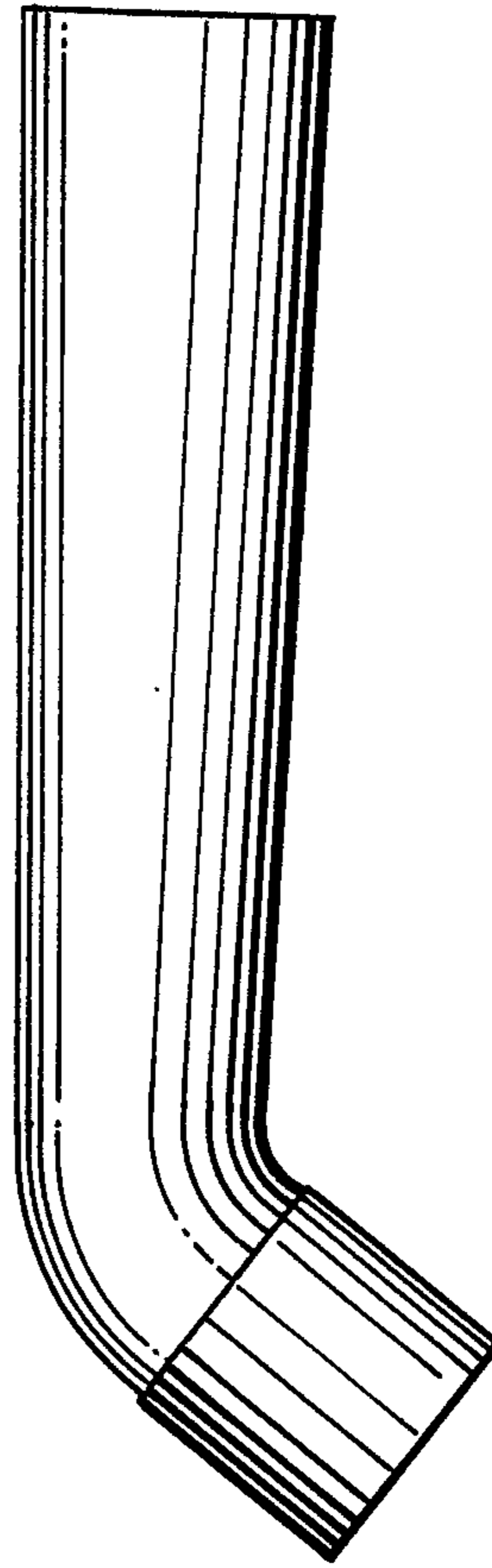


FIG. 4