

[54] **POST TOP LUMINAIRE**

[75] **Inventor: Burton Benjamin, Highland Park, Ill.**

[73] **Assignee: QL Inc., Northbrook, Ill.**

[**] **Term: 14 Years**

[21] **Appl. No.: 68,401**

[22] **Filed: Jul. 1, 1987**

[52] **U.S. Cl. D26/67**

[58] **Field of Search D26/67-71;
362/431, 432, 362, 363, 310**

[56] **References Cited**

U.S. PATENT DOCUMENTS

D. 290,409 6/1987 Gendron et al. D26/67

OTHER PUBLICATIONS

Electrical Consultant, 8-1973, p. 1, ITT Landmark Luminaire.

Primary Examiner—Susan J. Lucas
Attorney, Agent, or Firm—LaValle D. Ptak

[57] **CLAIM**

The ornamental design for a post top luminaire, as shown and described.

DESCRIPTION

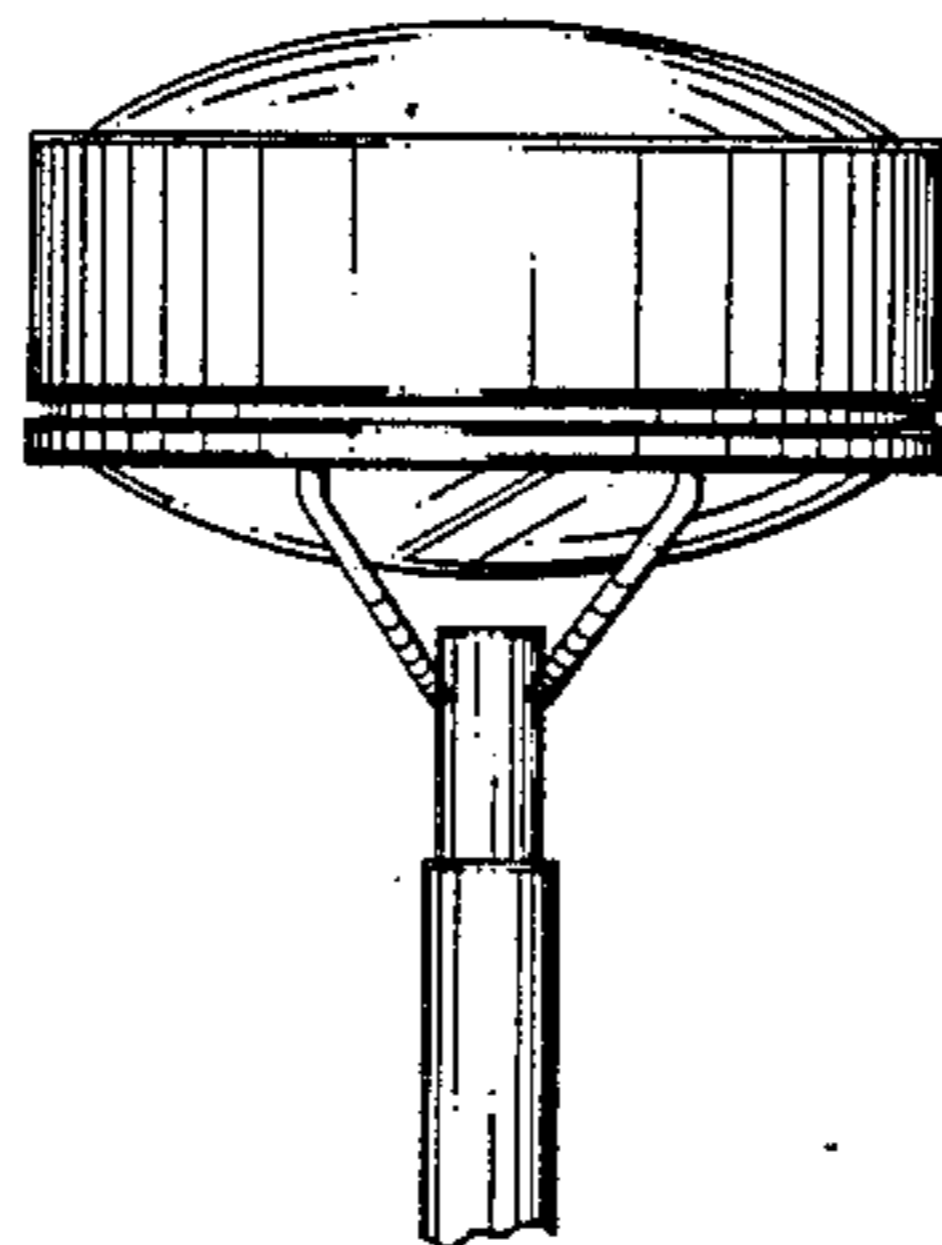
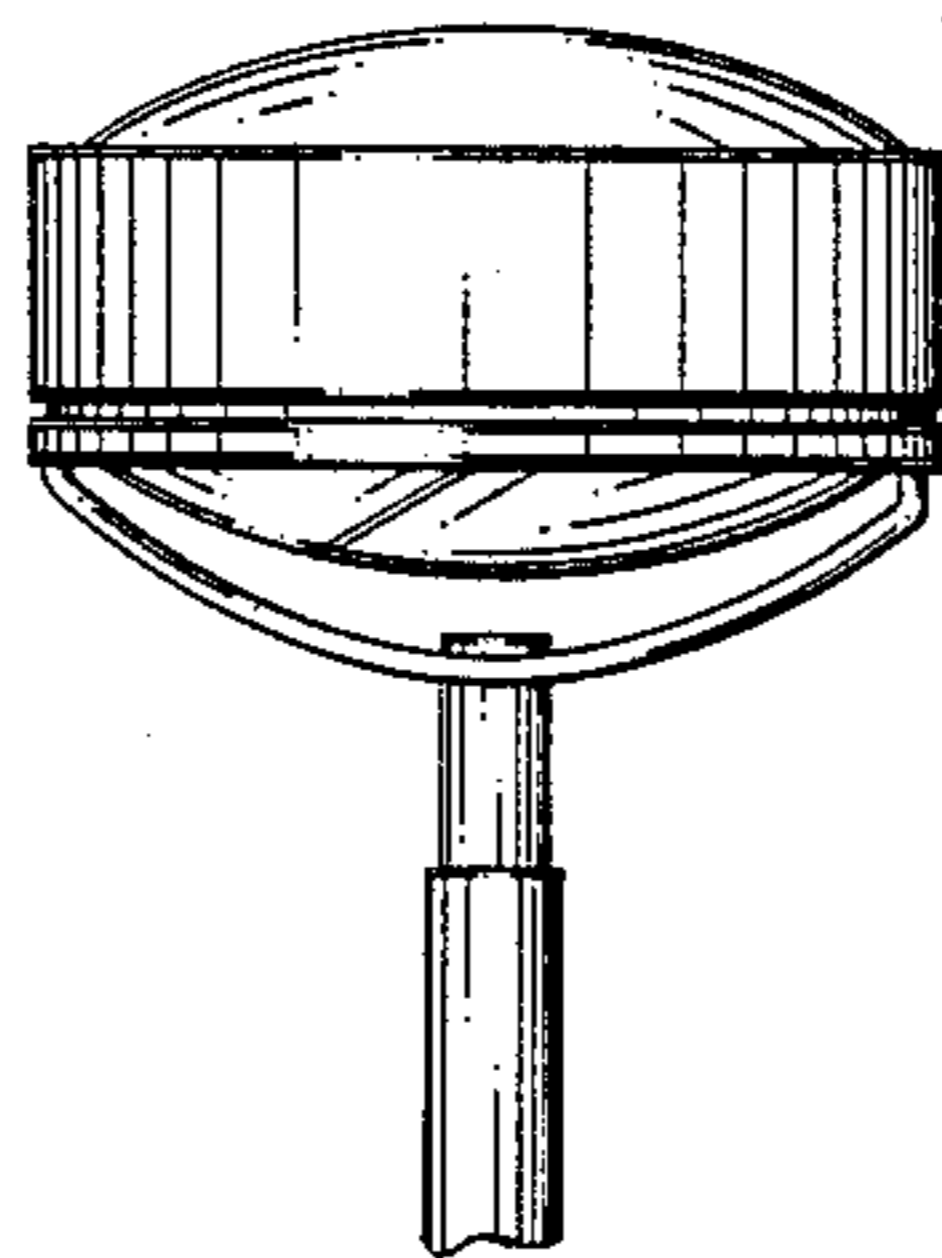
FIG. 1 is a top perspective view of a post top luminaire showing my new design;

FIG. 2 is a front elevational view thereof, the rear being a mirror image;

FIG. 3 is a top plan view thereof;

FIG. 4 is a bottom plan view thereof;

FIG. 5 is a side elevational view thereof, the opposite side being a mirror image.



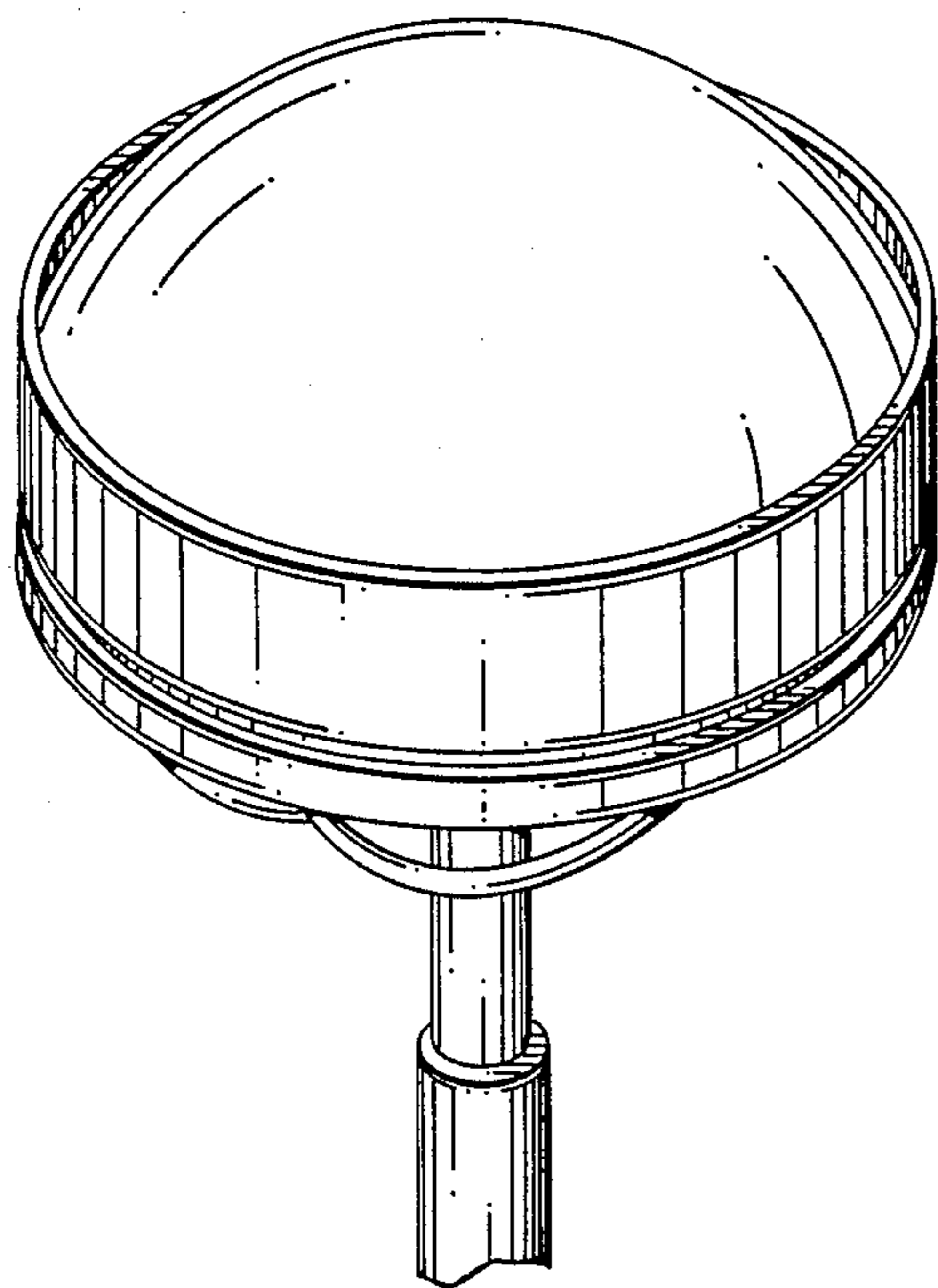


FIG. 1

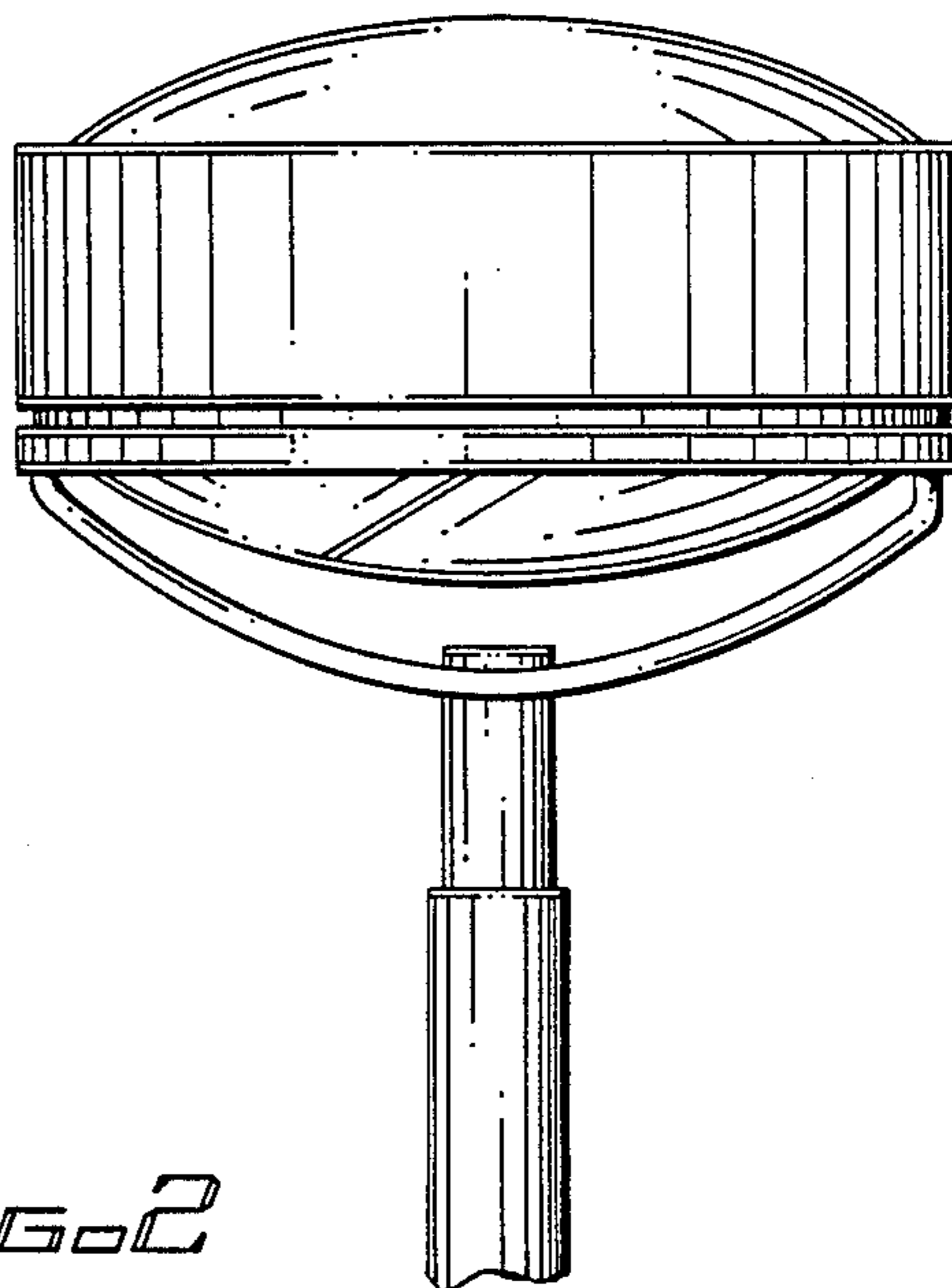


FIG. 2

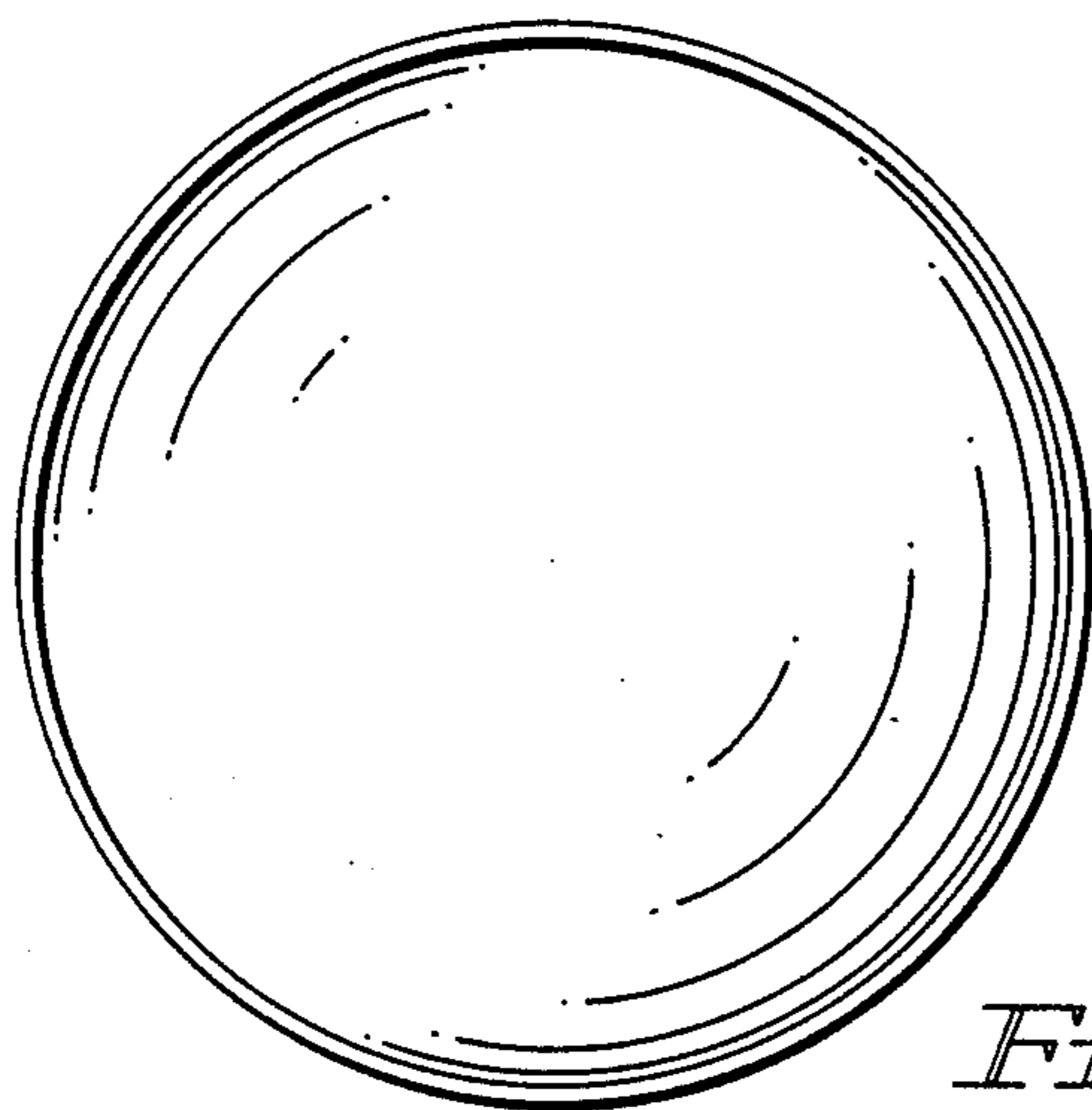


FIG. 3

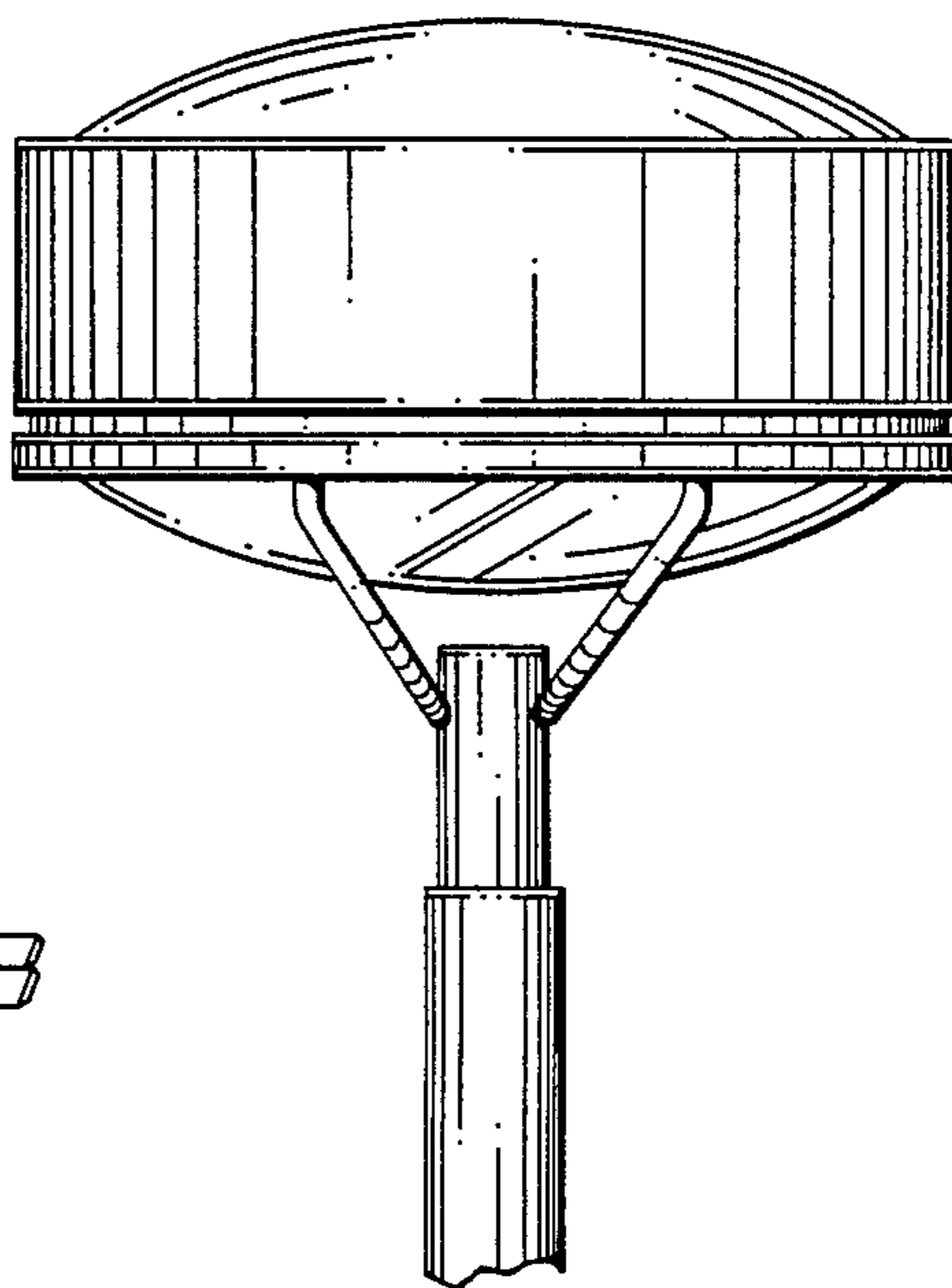


FIG. 5

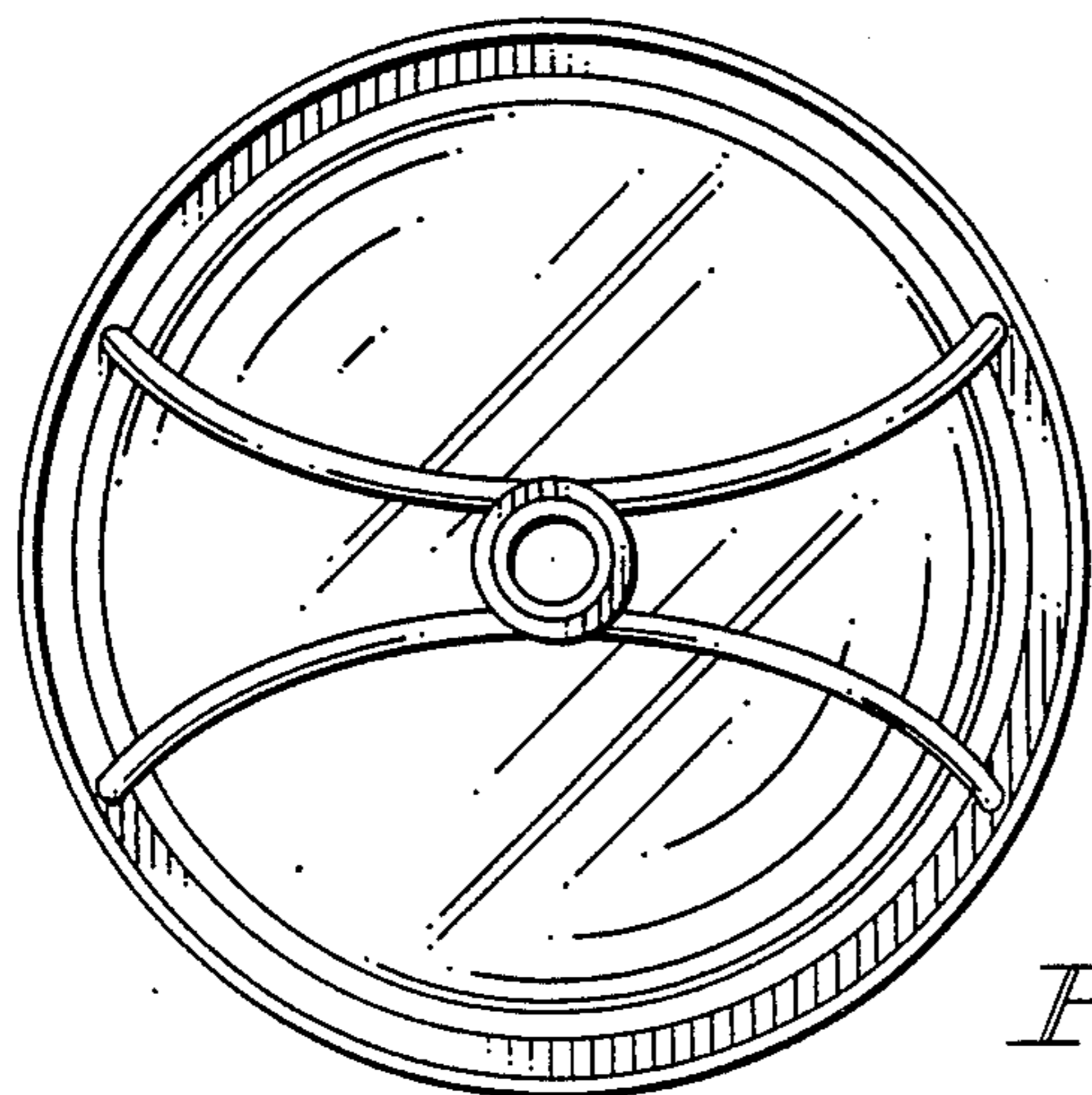


FIG. 4