

[54] CYCLE STROBE LIGHT

[76] Inventor: Joseph T. Bosgal, P.O. Box 213,
Montrose, Colo. 81402

[**] Term: 14 Years

[21] Appl. No.: 855,786

[22] Filed: Apr. 18, 1986

[52] U.S. Cl. D26/28

[58] Field of Search D26/28-36;
D10/114; 362/61, 66, 80-83, 267, 362, 427, 269,
275, 285; 340/70, 72, 81 R, 82, 84, 87, 90-94,
104, 105, 107, 108

[56] References Cited

U.S. PATENT DOCUMENTS

- D. 156,318 12/1949 Brown D26/33
- D. 276,468 11/1984 Preisler et al. D26/28

1,857,210 5/1932 Nelson et al. D26/33 X

FOREIGN PATENT DOCUMENTS

518217 3/1953 Belgium 340/84

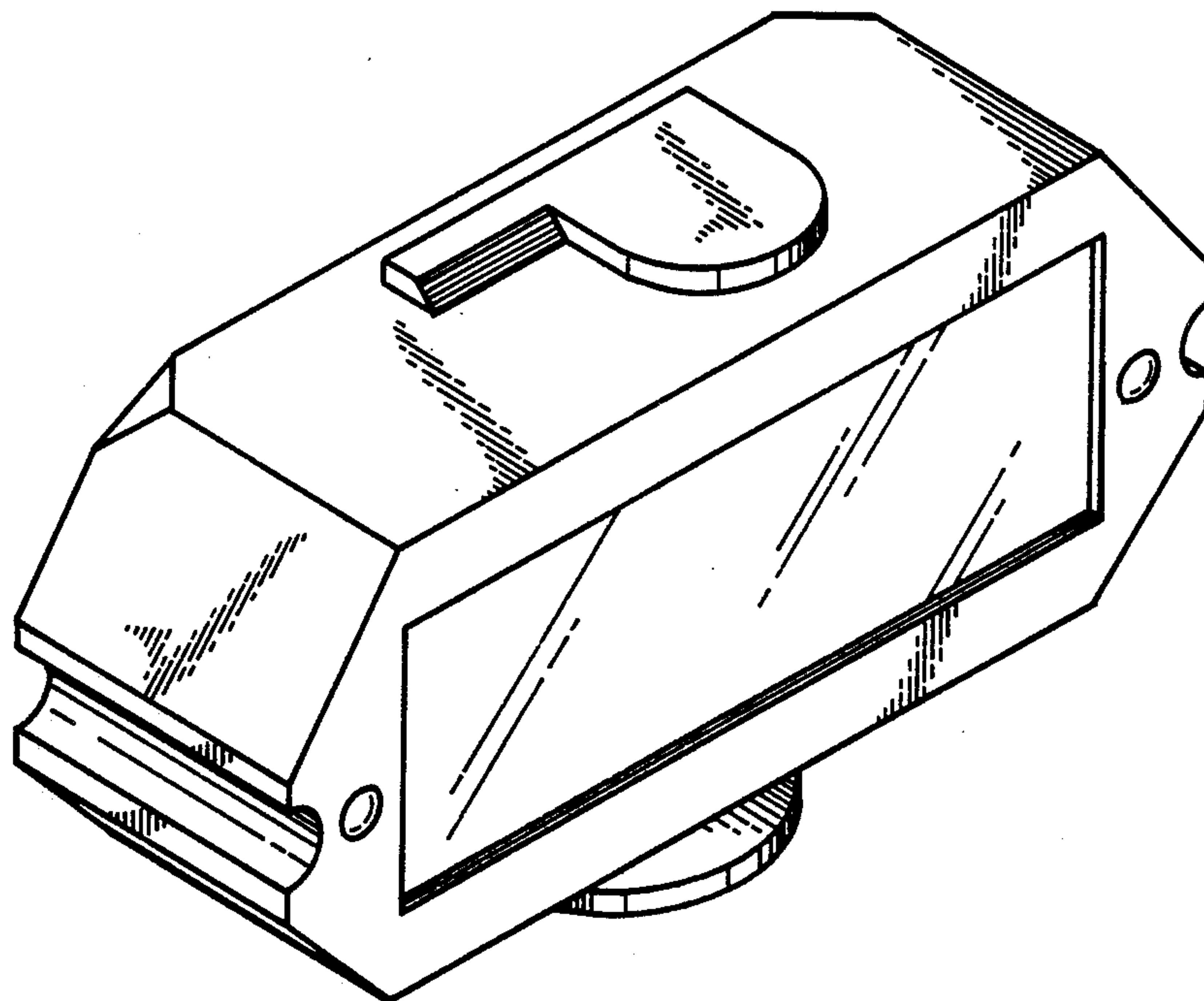
Primary Examiner—Susan J. Lucas
Attorney, Agent, or Firm—Terry M. Gernstein

[57] CLAIM

The ornamental design for a cycle strobe light, as shown and described.

DESCRIPTION

- FIG. 1 is a front perspective view of a cycle strobe light showing my new design.
- FIG. 2 is a top plan view thereof.
- FIG. 3 is a bottom plan view thereof.
- FIG. 4 is a rear elevation view thereof.
- FIG. 5 is a left end elevation view thereof.
- FIG. 6 is a right end elevation view thereof.



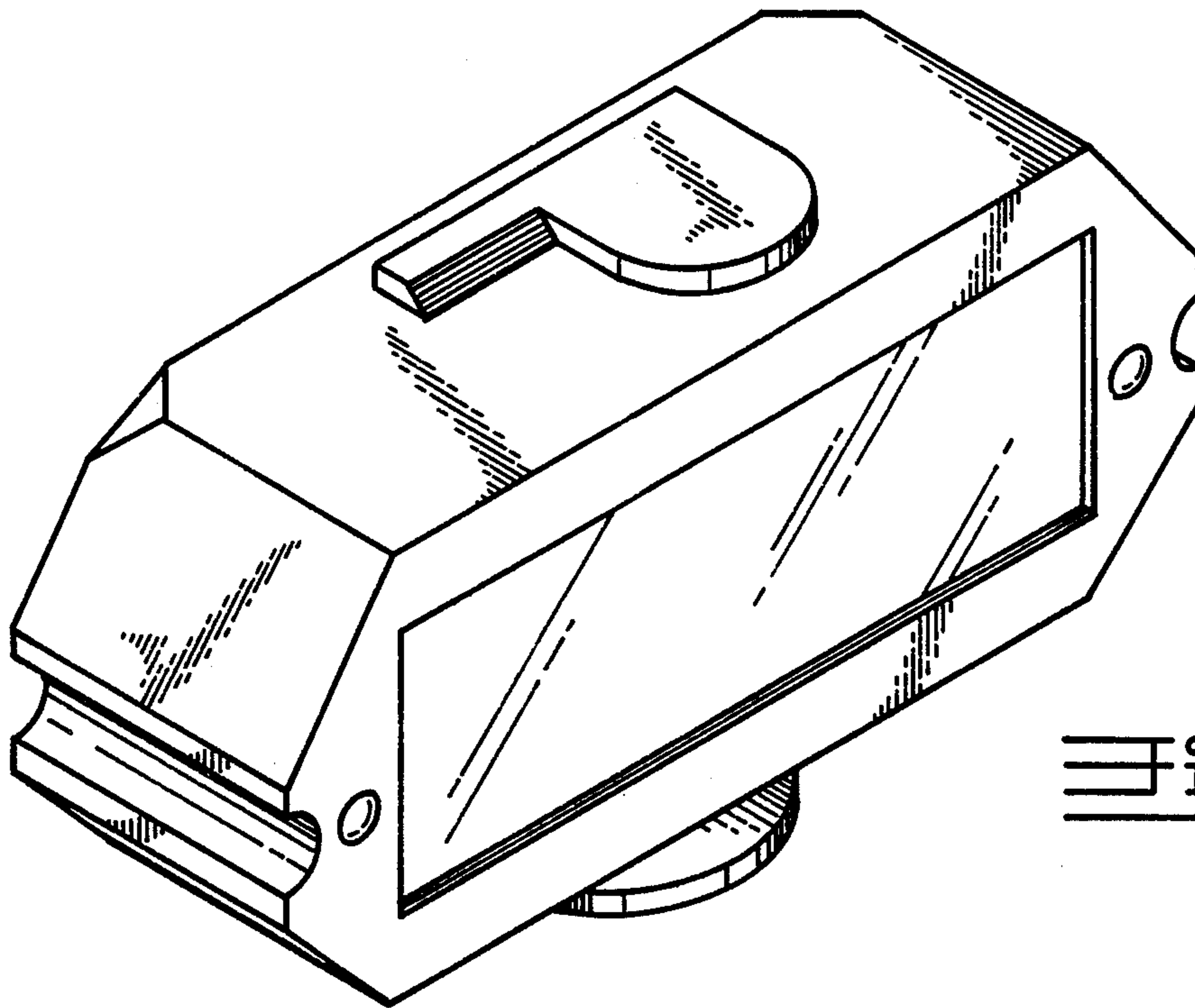


Fig. 1

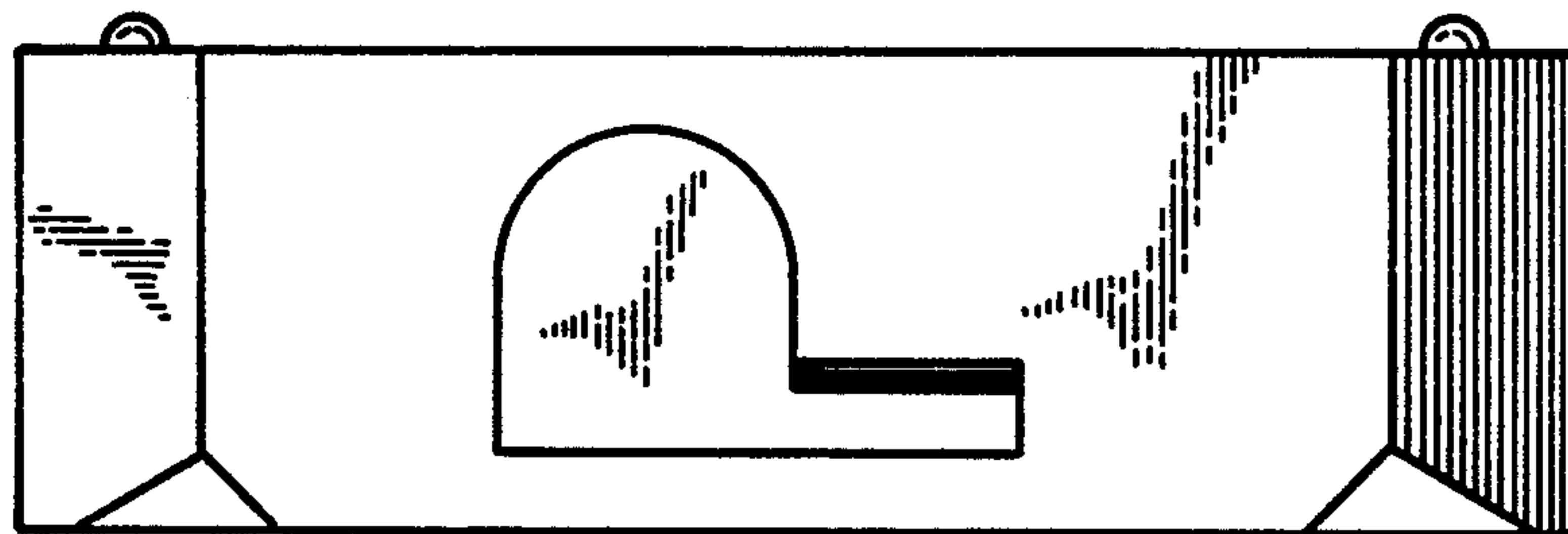


Fig. 2

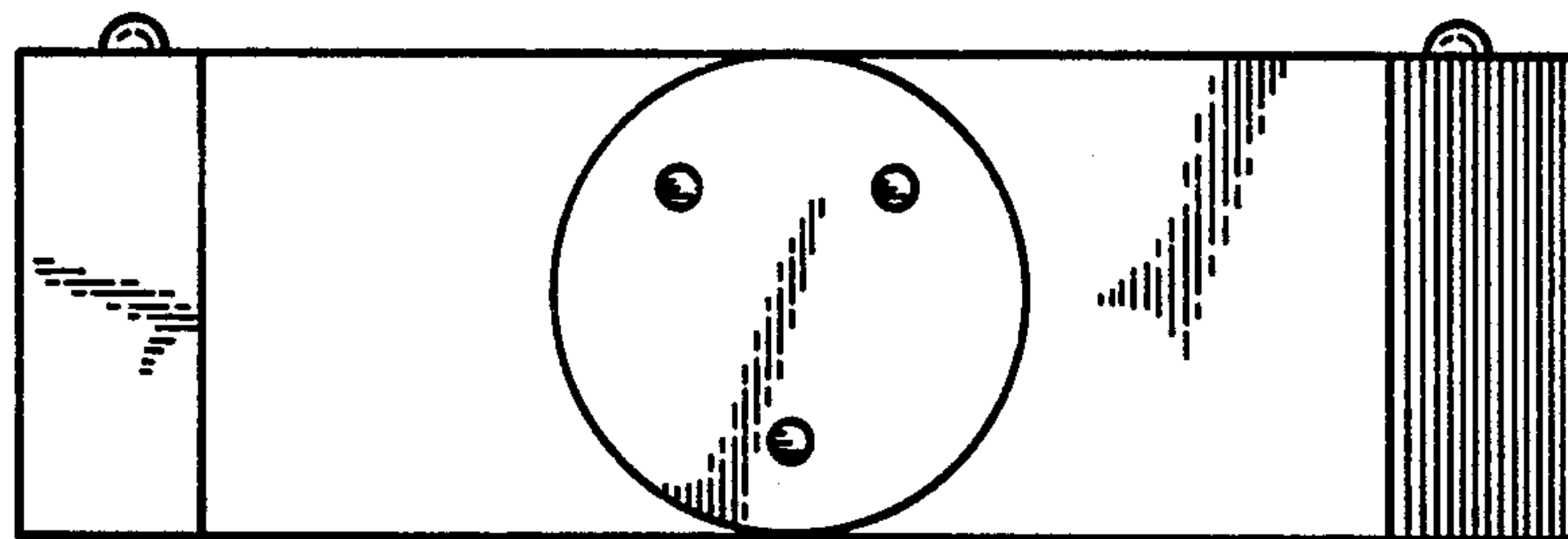


Fig. 3

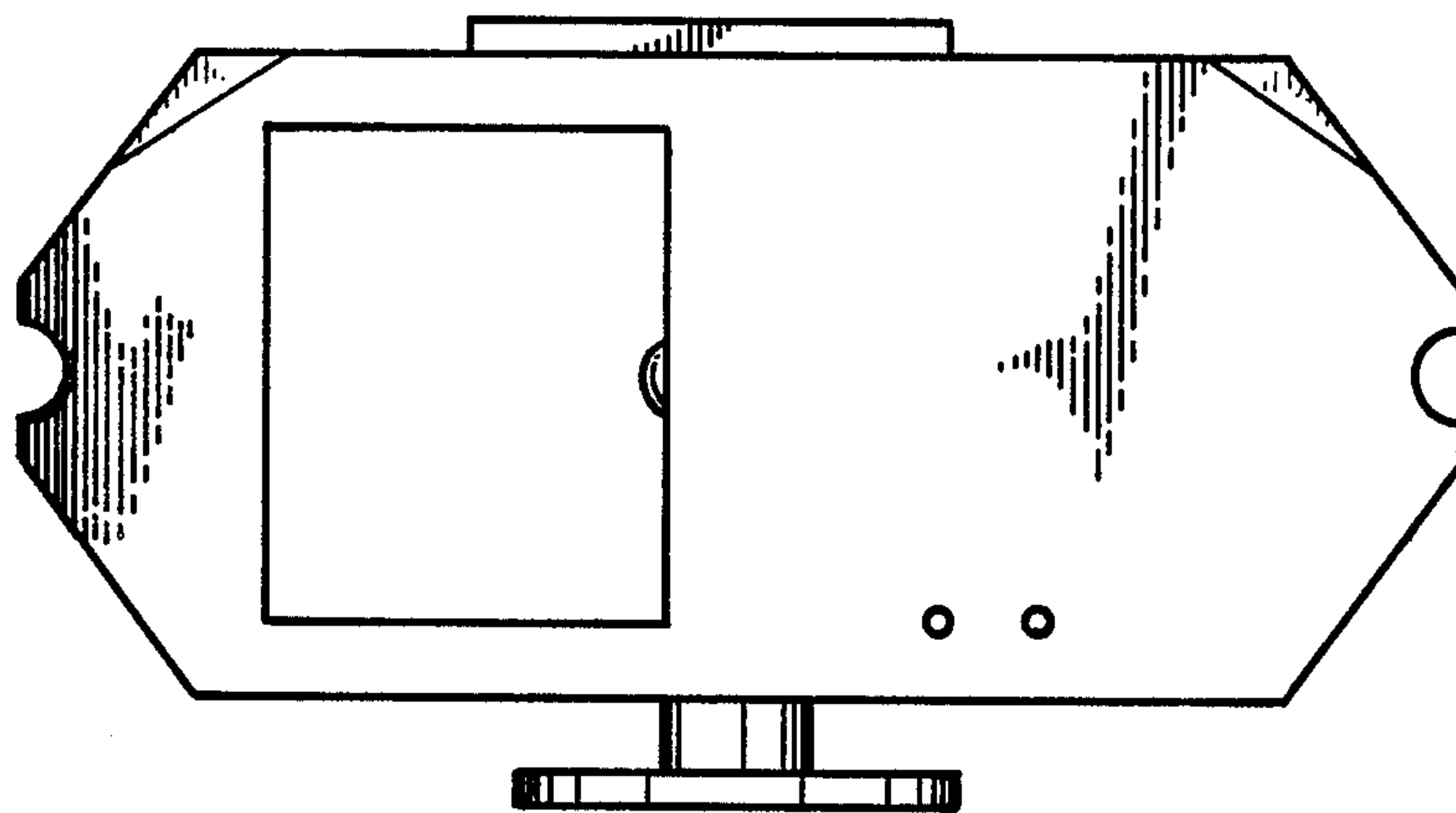


Fig. 4

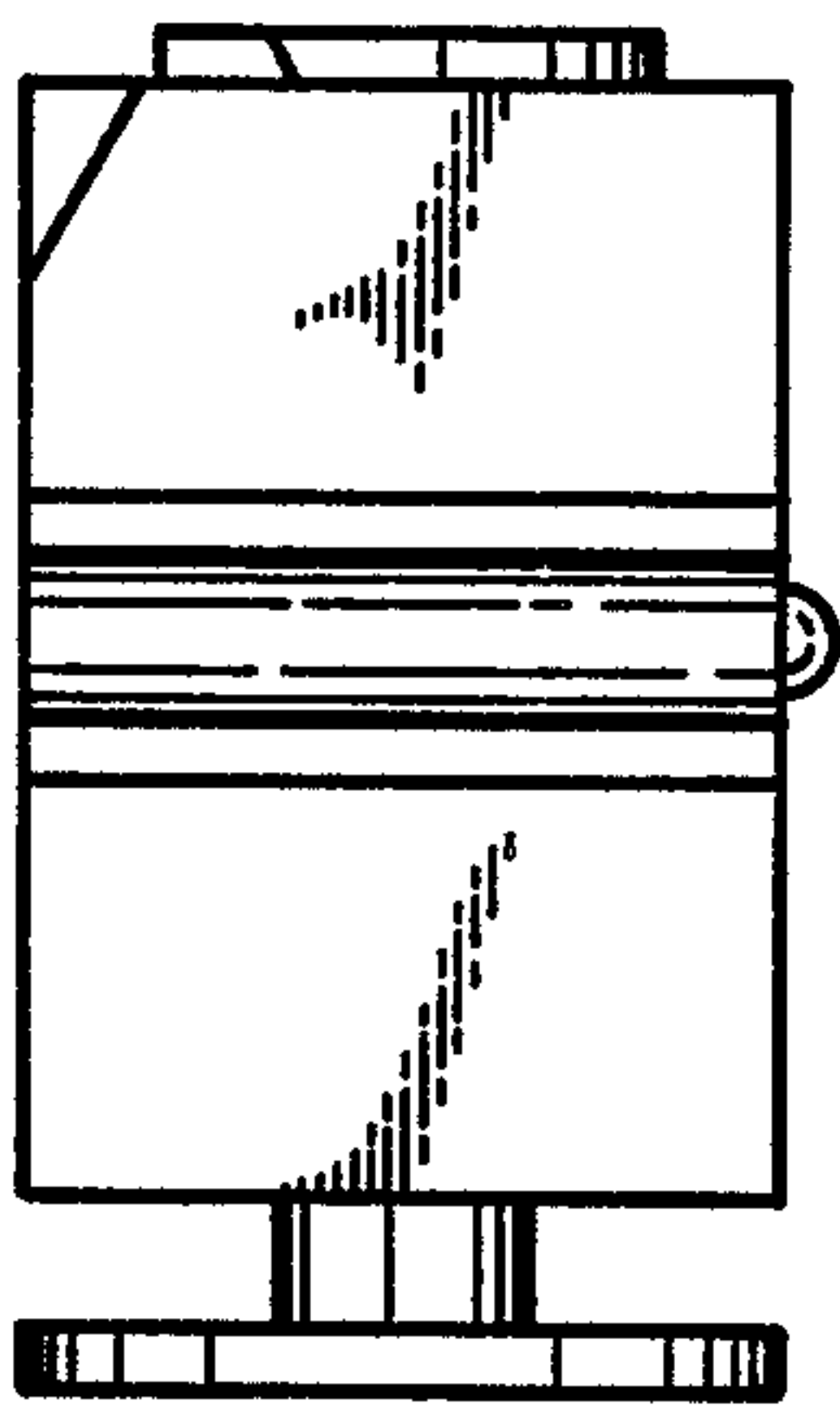


Fig. 5

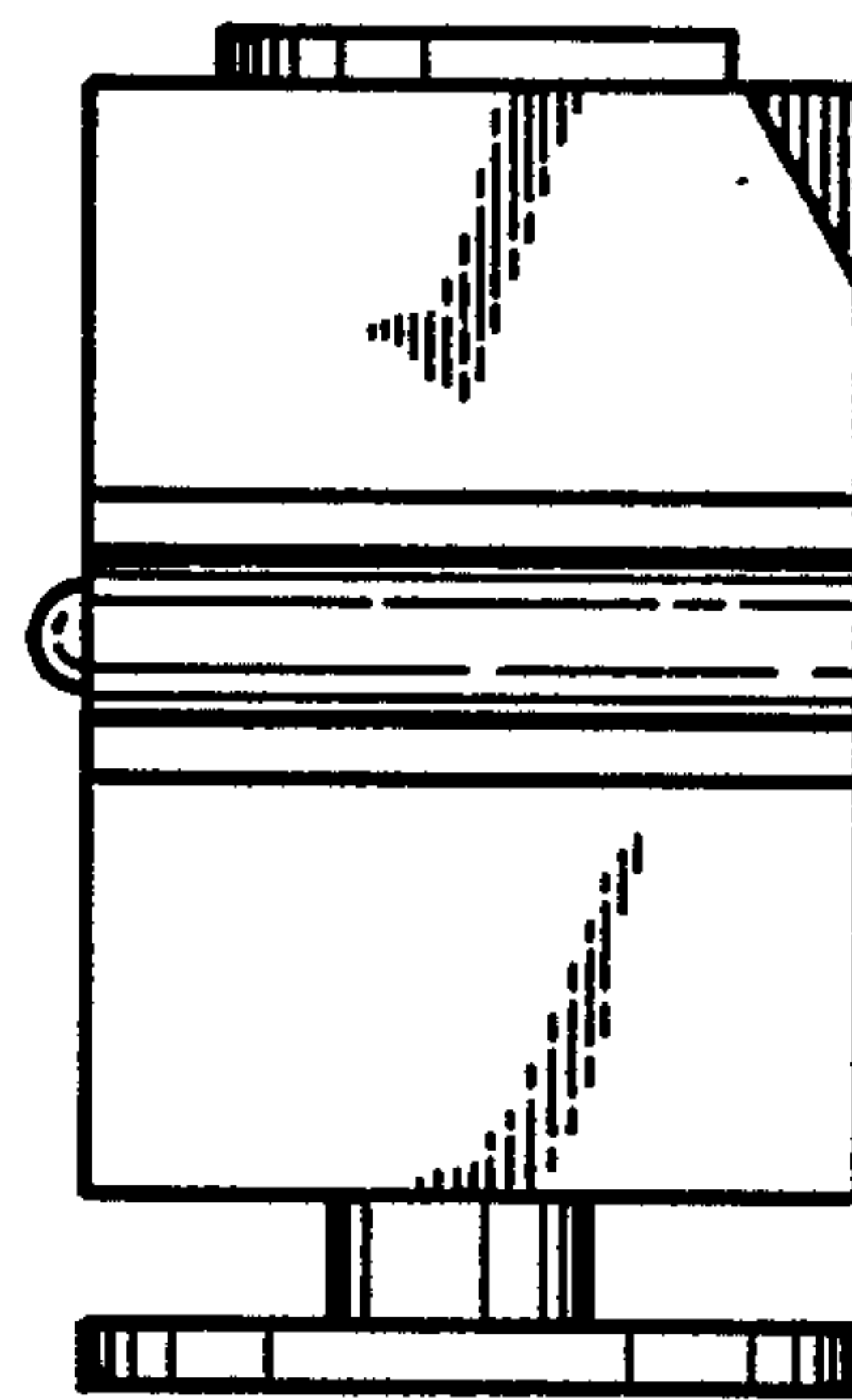


Fig. 6