

# United States Patent [19]

Dallaire et al.

[11] Patent Number: **Des. 301,173**

[45] Date of Patent: **\*\* May 16, 1989**

[54] **WINDOW FRAME EXTRUSION**

[75] Inventors: **Raymond Dallaire; Dominique Dallaire**, both of St. David, Canada

[73] Assignee: **P. H. Tech Inc., Levis, Canada**

[\*\*] Term: **14 Years**

[21] Appl. No.: **10,537**

[22] Filed: **Feb. 3, 1987**

[30] **Foreign Application Priority Data**

Aug. 8, 1986 [GB] United Kingdom ..... 1035964  
[52] U.S. Cl. .... **D25/124**  
[58] Field of Search ..... D25/52, 119-125;  
49/413, 419, 501, 504

[56] **References Cited**

**U.S. PATENT DOCUMENTS**

D. 225,319 12/1972 Dallaire et al. .... D25/119  
D. 243,680 3/1977 Dallaire ..... D25/119

*Primary Examiner*—A. Hugo Word  
*Attorney, Agent, or Firm*—Perry Carvellas

[57] **CLAIM**

The ornamental design for window frame extrusion, as shown and described.

**DESCRIPTION**

FIG. 1 is a perspective view of a window frame extrusion showing our new design; and, FIG. 2 is a perspective view thereof showing one end and other side.

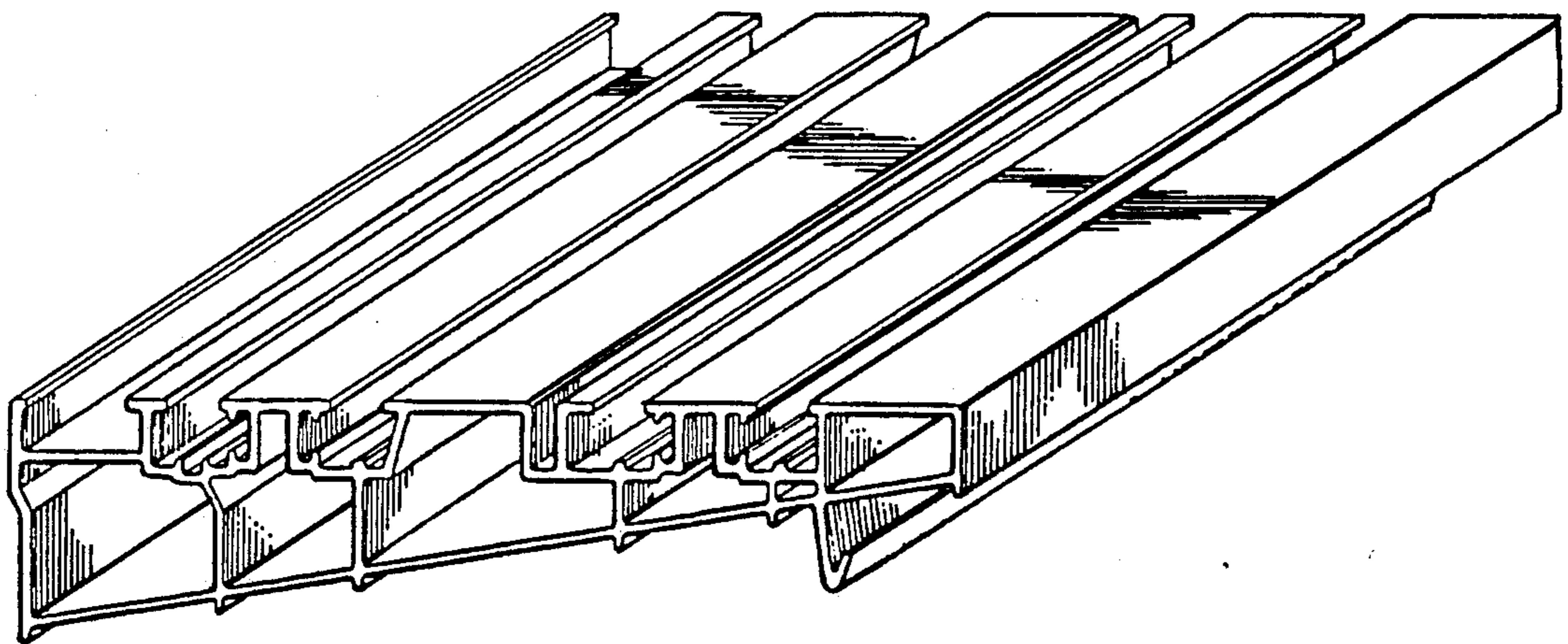


FIG. 1

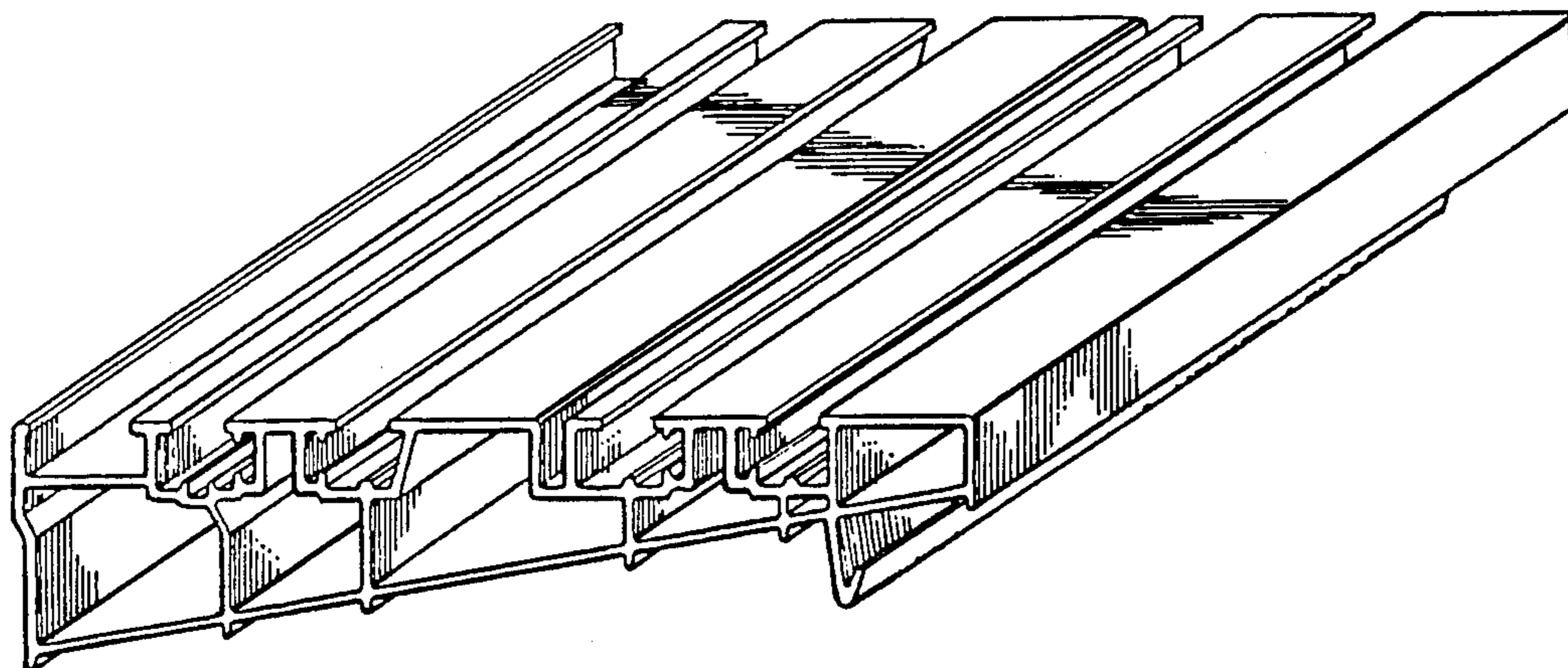


FIG. 2

