

[54] WINDOW FRAME EXTRUSION

[75] Inventors: Raymond Dallaire; Dominique Dallaire, both of St. David, Canada

[73] Assignee: P.H. Tech Inc., Levis, Canada

[**] Term: 14 Years

[21] Appl. No.: 10,538

[22] Filed: Feb. 3, 1987

[30] Foreign Application Priority Data

Aug. 8, 1986 [GB] United Kingdom 1035967

Aug. 8, 1986 [GB] United Kingdom 1035968

[52] U.S. Cl. D25/119

[58] Field of Search D25/52, 119-125; 49/413, 419, 501, 504, DIG. 2

[56] References Cited

U.S. PATENT DOCUMENTS

D. 263,883 4/1982 Dallaire D25/119
D. 263,884 4/1982 Dallaire D25/119

Primary Examiner—A. Hugo Word
Attorney, Agent, or Firm—Perry Carvellas

[57] CLAIM

The ornamental design for window frame extrusion, as shown and described.

DESCRIPTION

FIG. 1 is a perspective view of a window frame extrusion showing our new design;

FIG. 2 is a perspective view thereof showing one end and other side;

FIG. 3 is a perspective view of a modified form thereof; and,

FIG. 4 is a perspective view of FIG. 3 showing one end and other side.

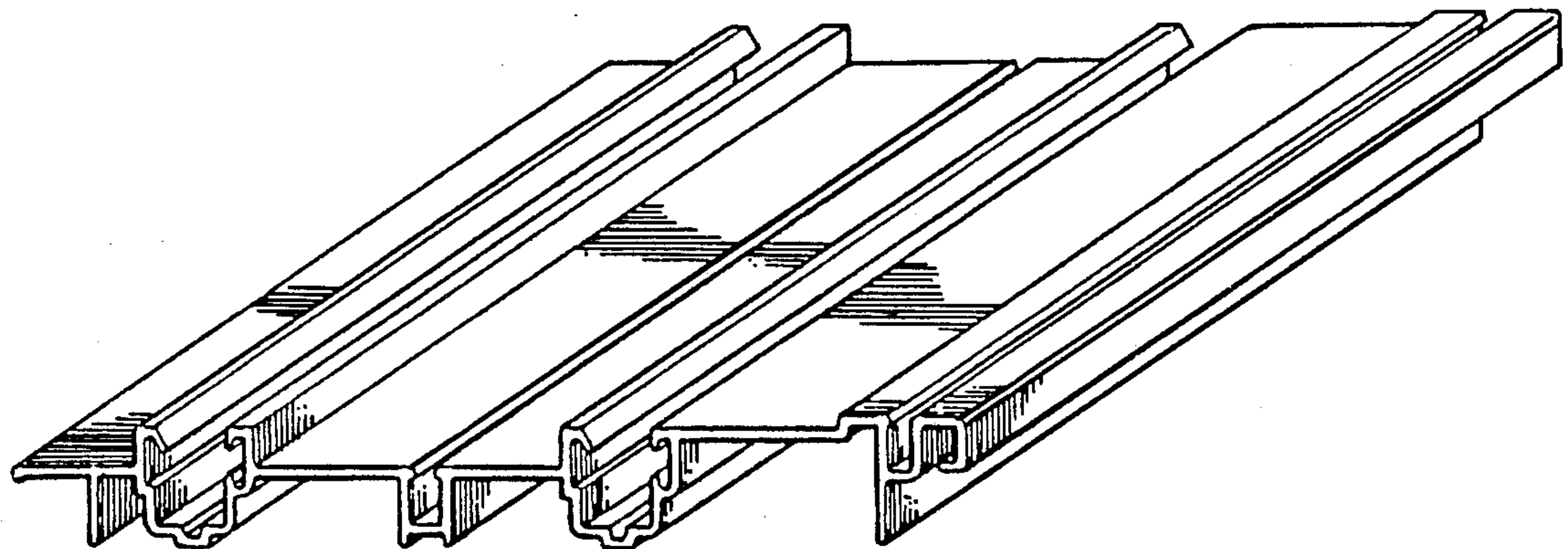


FIG. 1

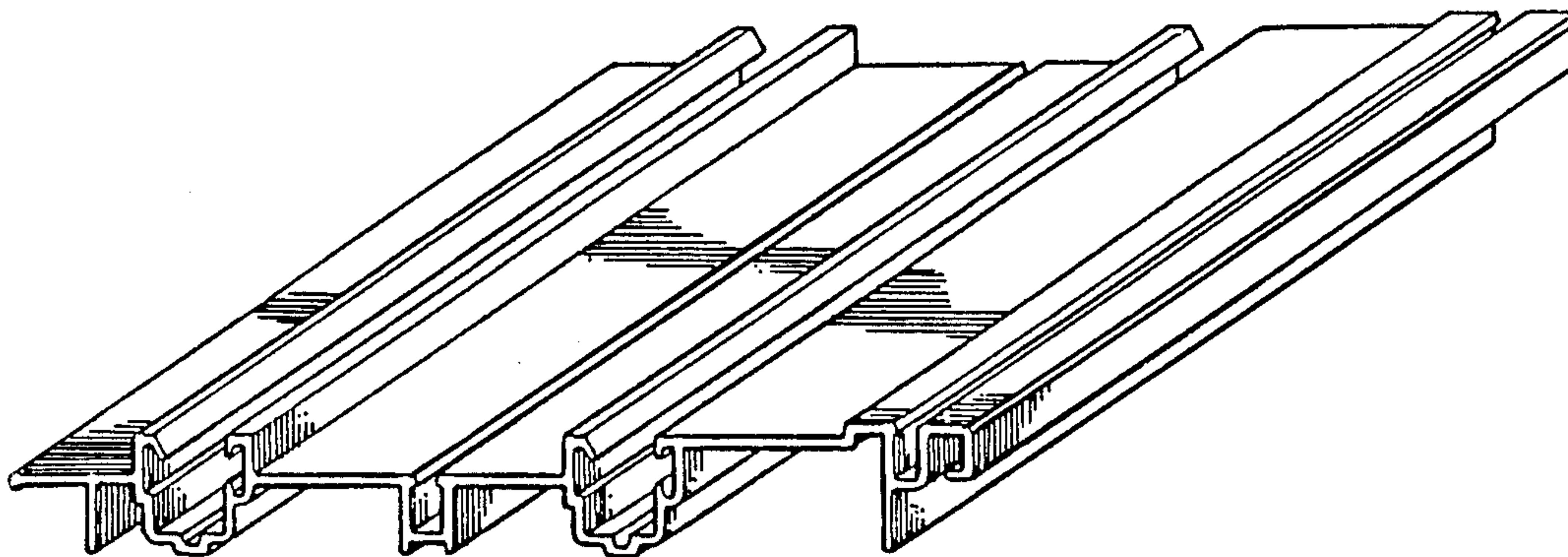


FIG. 2

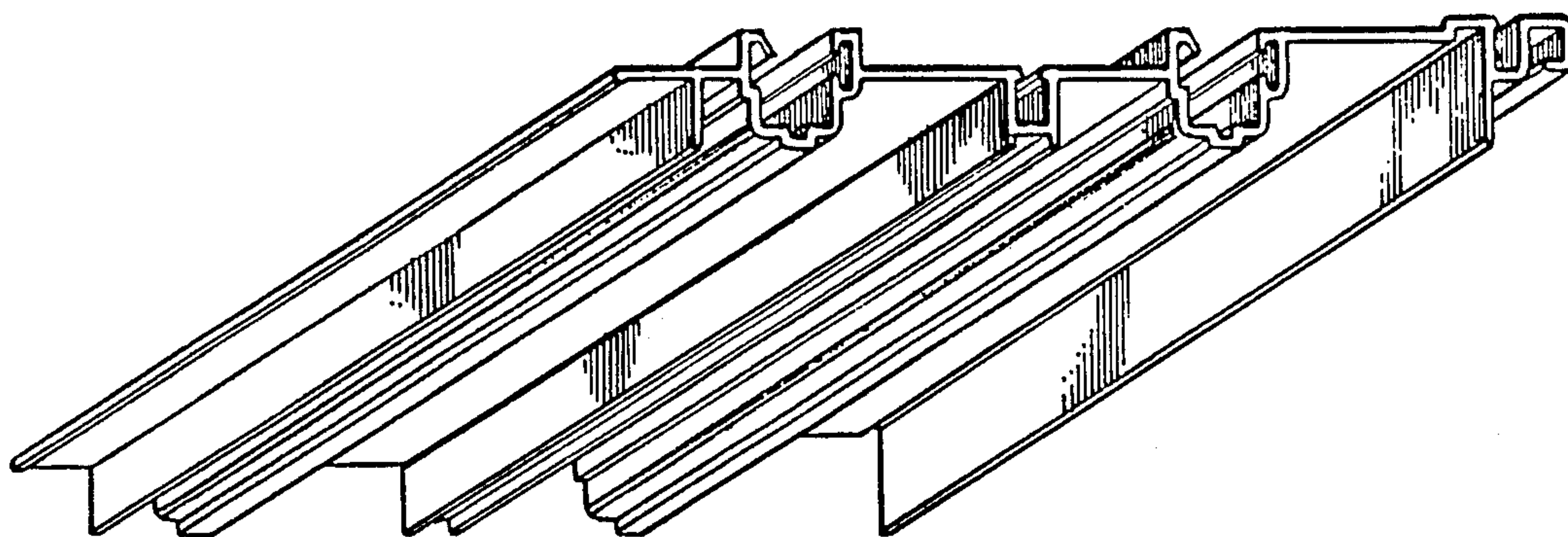


FIG. 3

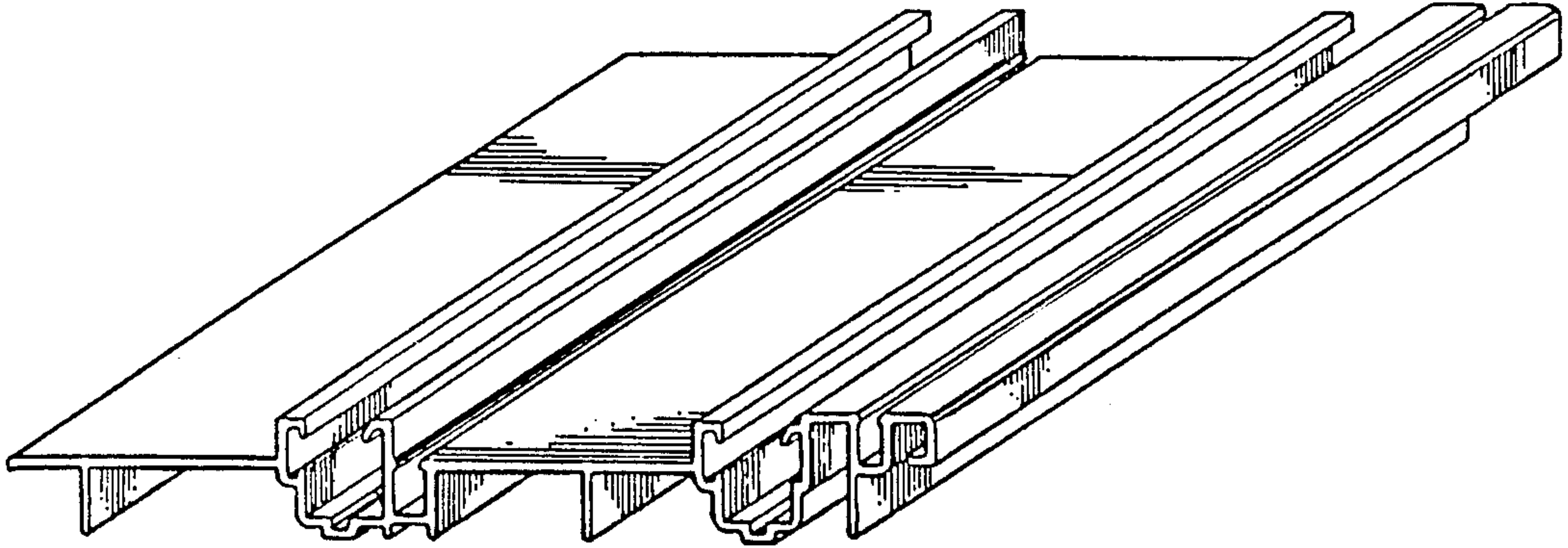


FIG. 4

