

[54] IMMUNOASSAY TRAY

[75] Inventors: Torquil J. G. Raybould, North Vancouver; Edward J. Hooker, Campbellville, both of Canada

[73] Assignee: Allelix Limited, Canada

[**] Term: 14 Years

[21] Appl. No.: 89,842

[22] Filed: Aug. 27, 1987

[30] Foreign Application Priority Data

Feb. 27, 1987 [CA] Canada 27028712
[52] U.S. Cl. D24/31
[58] Field of Search D24/31; 422/102, 99; 435/293, 296, 301; 436/515, 529, 809; 356/244; 206/562, 564, 569

[56] References Cited

U.S. PATENT DOCUMENTS

D. 284,699 7/1986 Jolley D24/29
4,682,891 7/1987 de Macario et al. 422/102 X

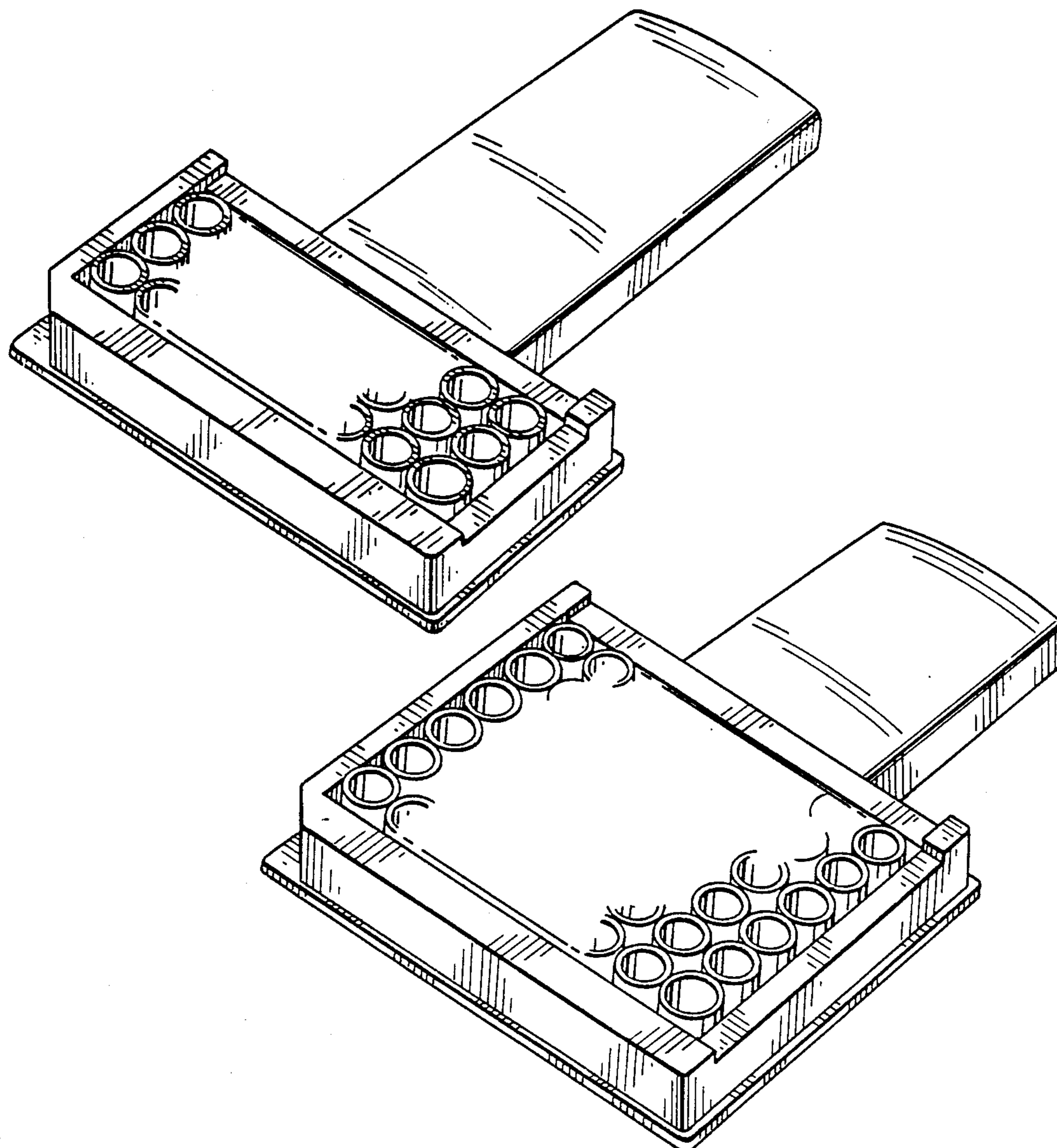
Primary Examiner—Wallace R. Burke
Assistant Examiner—Stella Reid
Attorney, Agent, or Firm—Ostrolenk, Faber, Gerb & Soffen

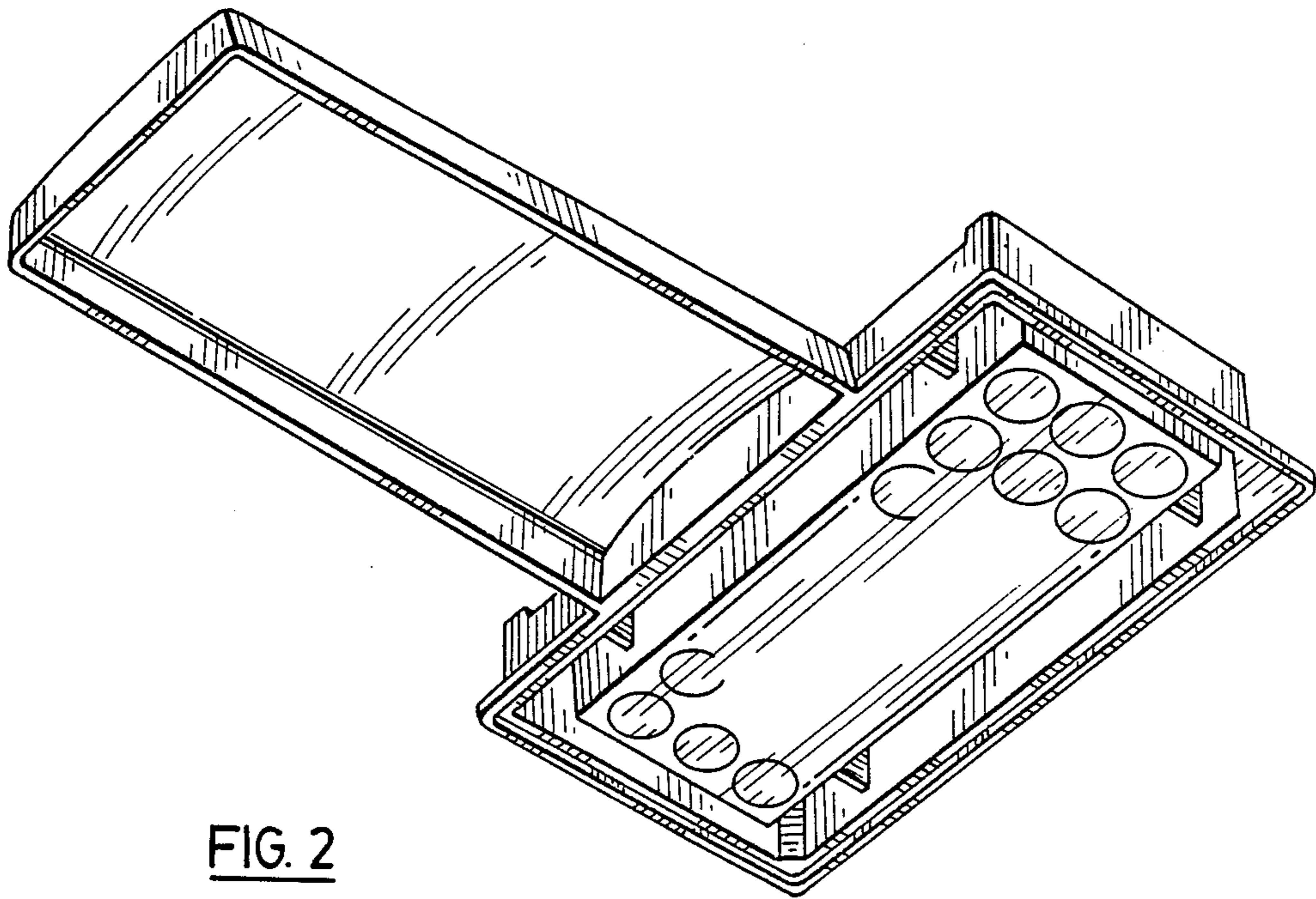
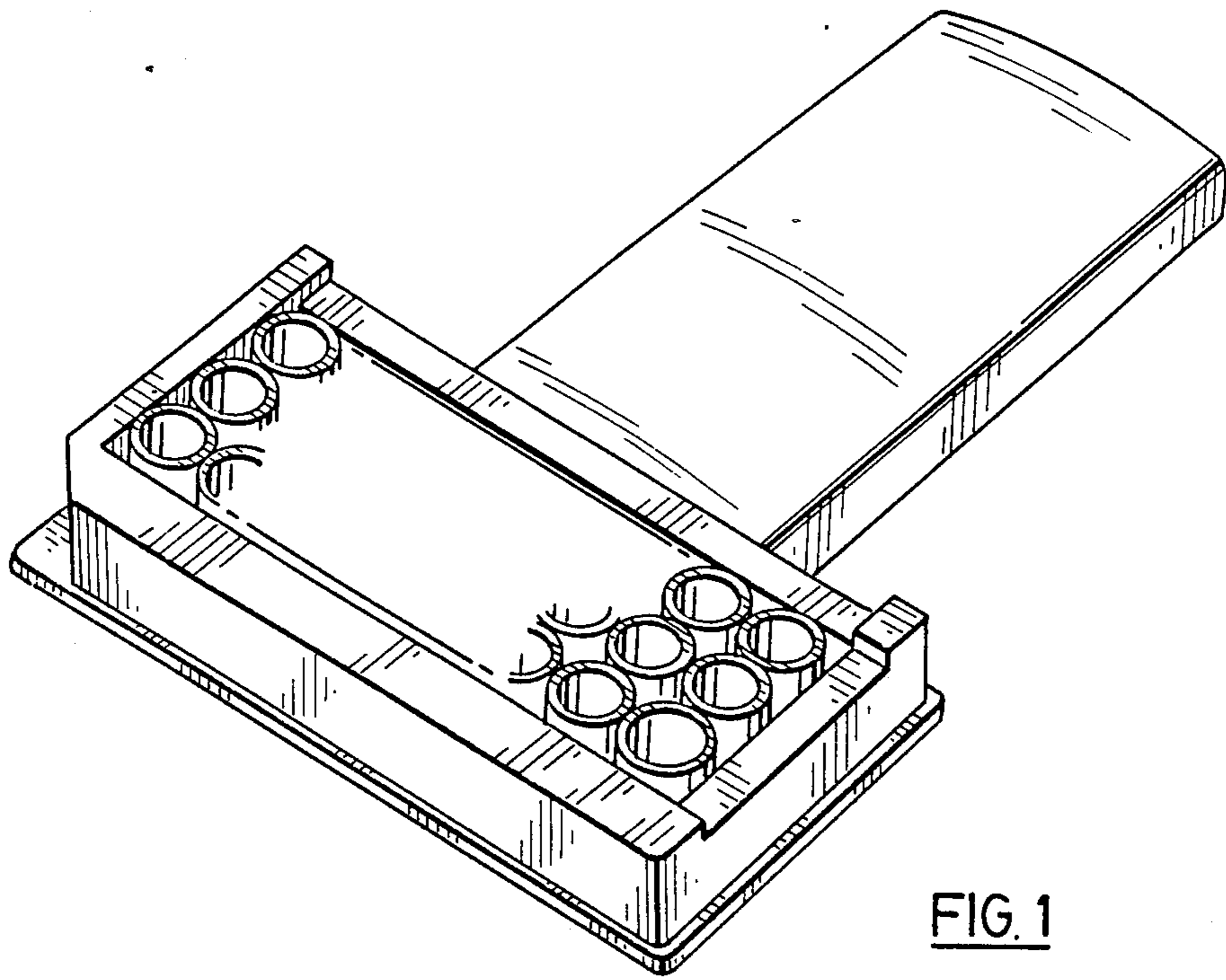
[57] CLAIM

The ornamental design for an immunoassay tray, as shown and described.

DESCRIPTION

FIG. 1 is a top, rear perspective view of an immunoassay tray showing our new design; FIG. 2 is a bottom, front perspective view thereof; FIG. 3 is a top, rear perspective view of a second embodiment thereof; FIG. 4 is a bottom, front perspective view thereof; FIG. 5 is a side view of the first embodiment thereof, the opposite side being a mirror image; and FIG. 6 is a side view of the second embodiment thereof, the opposite side being a mirror image. Some cylinders have not been shown. The illustrated cylinders are identical and are arrayed across the entire tray in the manner illustrated by the broken lines.





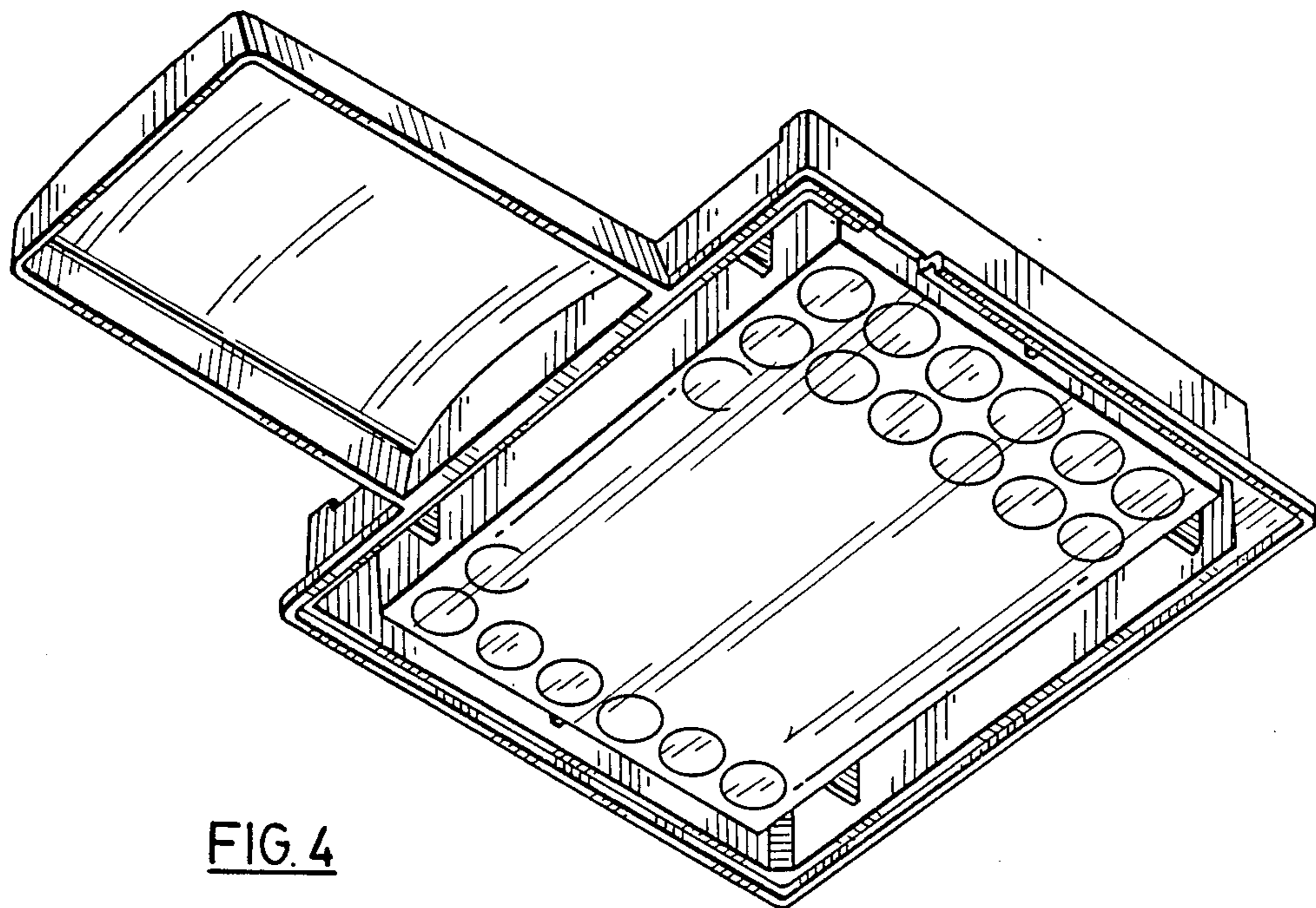
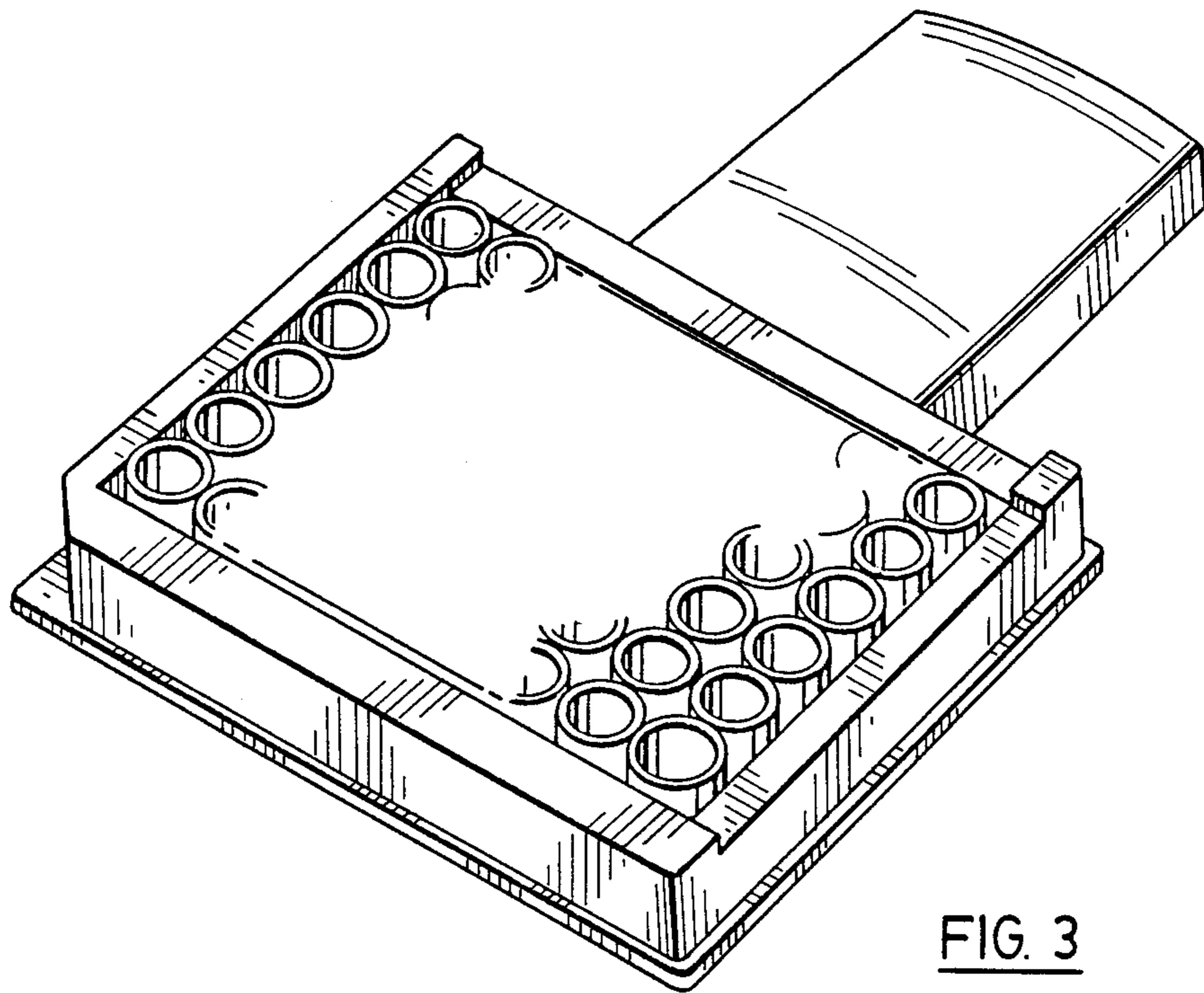




FIG. 5



FIG. 6