

[54] ANIMAL BLOCKING END FOR DOWNSPOUTS

[76] Inventor: Albert E. Weaver, 830 Sue La., Dayton, Ohio 45415

[**] Term: 14 Years

[21] Appl. No.: 885,482

[22] Filed: Jul. 14, 1986

[52] U.S. Cl. D23/267; D30/199; D23/261

[58] Field of Search D23/260, 261, 266, 267, D23/268; 52/16, 101; 137/360, 527.6, 527.8, 873

[56] References Cited

U.S. PATENT DOCUMENTS

D. 288,840	3/1987	Williams	D23/261
1,104,806	7/1914	Kahn	137/527.6 X
1,412,651	4/1922	Borden	137/360 X
1,663,777	3/1928	Sargent	137/360 X
2,093,515	9/1937	Filkins	137/360 X
2,927,596	3/1960	Carlson	137/527.6 X

4,174,913 11/1979 Schliester 137/527.8 X

Primary Examiner—James R. Largen
Attorney, Agent, or Firm—Ralph L. Marzocco

[57] CLAIM

The ornamental design for an animal blocking end for downspouts, as shown and described.

DESCRIPTION

FIG. 1 is a perspective view taken from the top, front and left side of an animal blocking end for downspouts showing my new design;

FIG. 2 is a front elevational view thereof;

FIG. 3 is a right side elevational view thereof;

FIG. 4 is a left side elevational view thereof;

FIG. 5 is a rear elevational view thereof;

FIG. 6 is a top plan view thereof;

FIG. 7 is a bottom plan view thereof; and,

FIG. 8 is a perspective view taken from the top, front and left side of a modified form of the animal blocking end for downspouts shown in FIG. 1.

The fragmentary broken line representation of a downspout in FIGS. 1 and 8 are for purposes of illustration only and form no part of the claimed design.

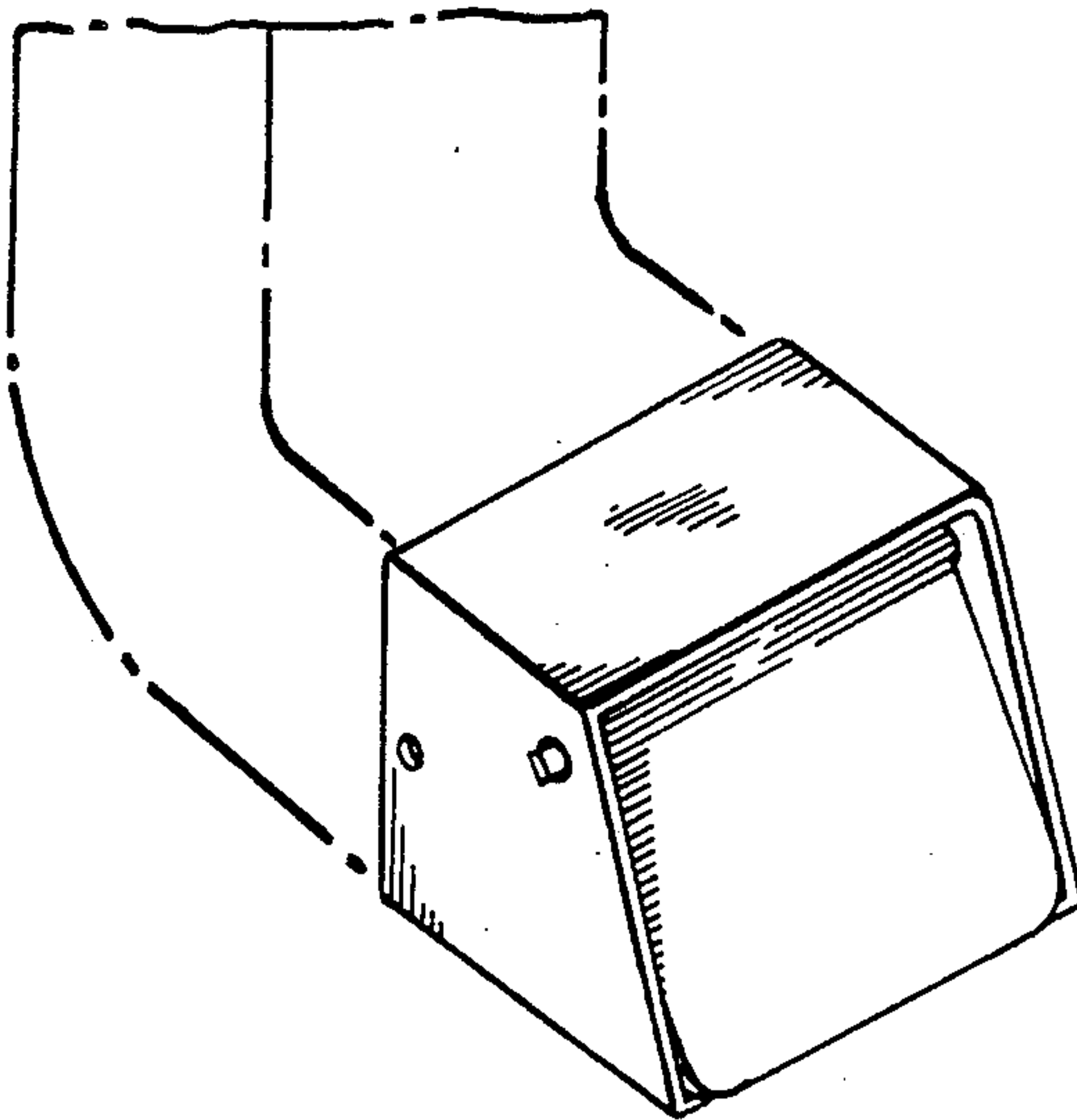


FIG-1

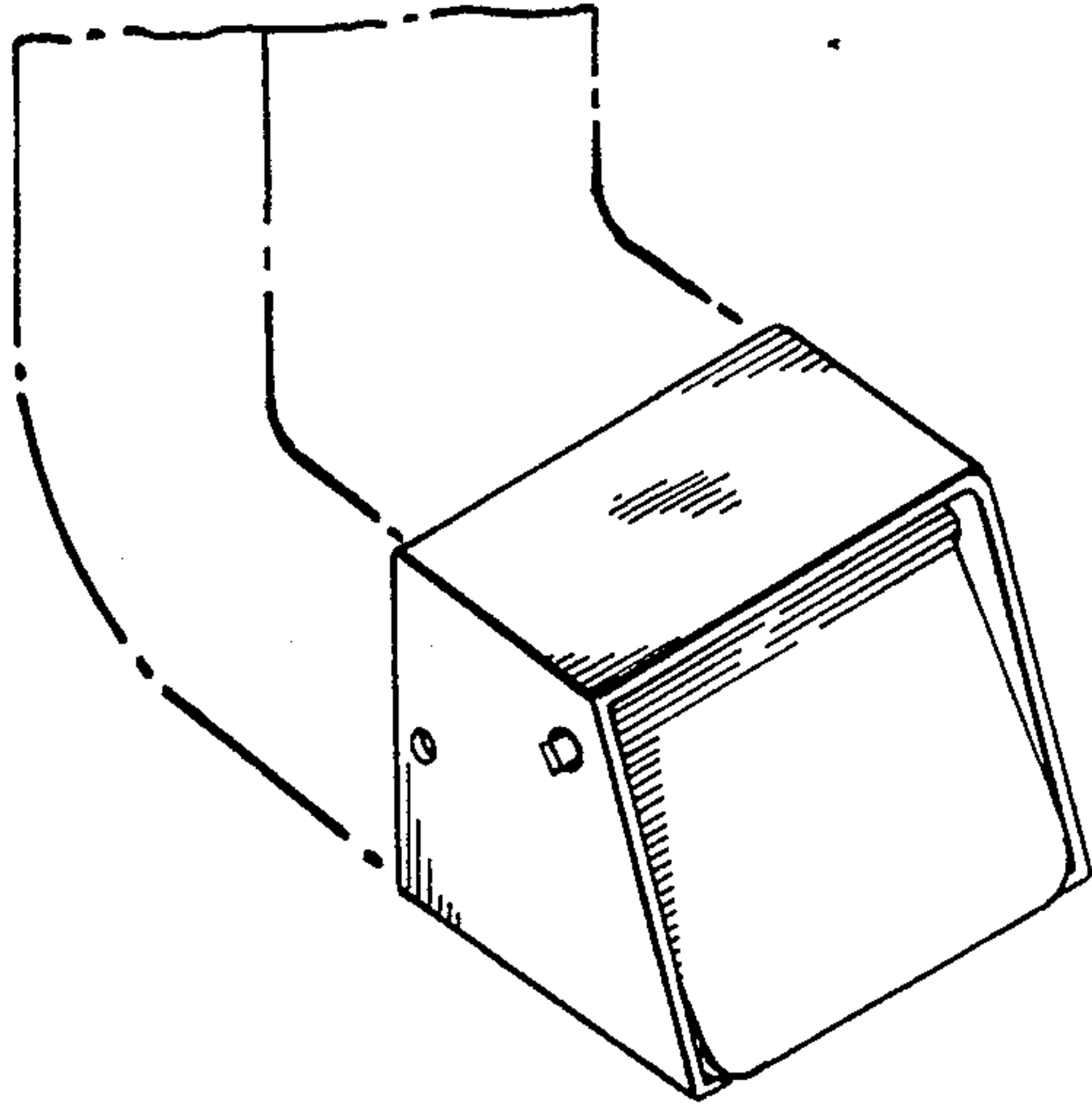


FIG-2

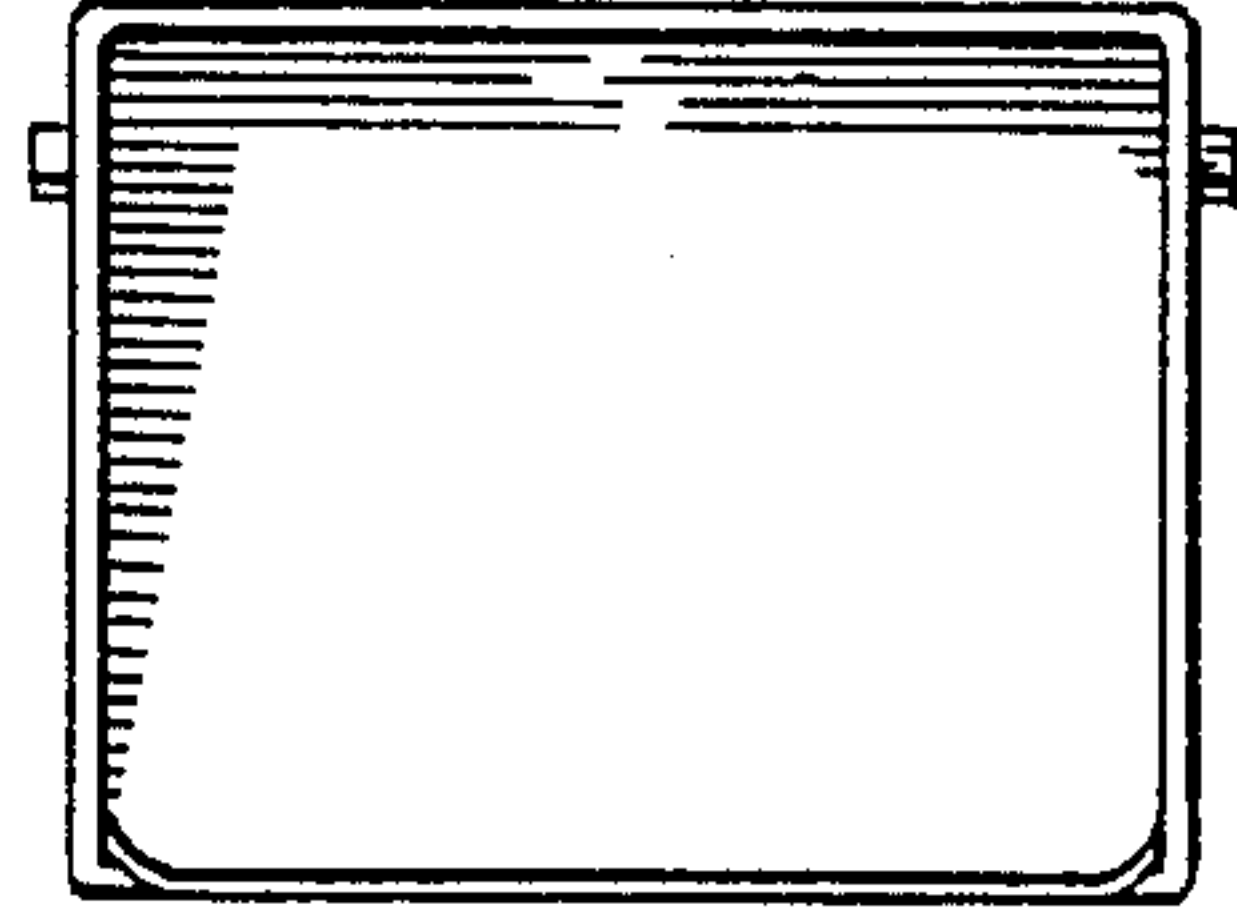


FIG-5

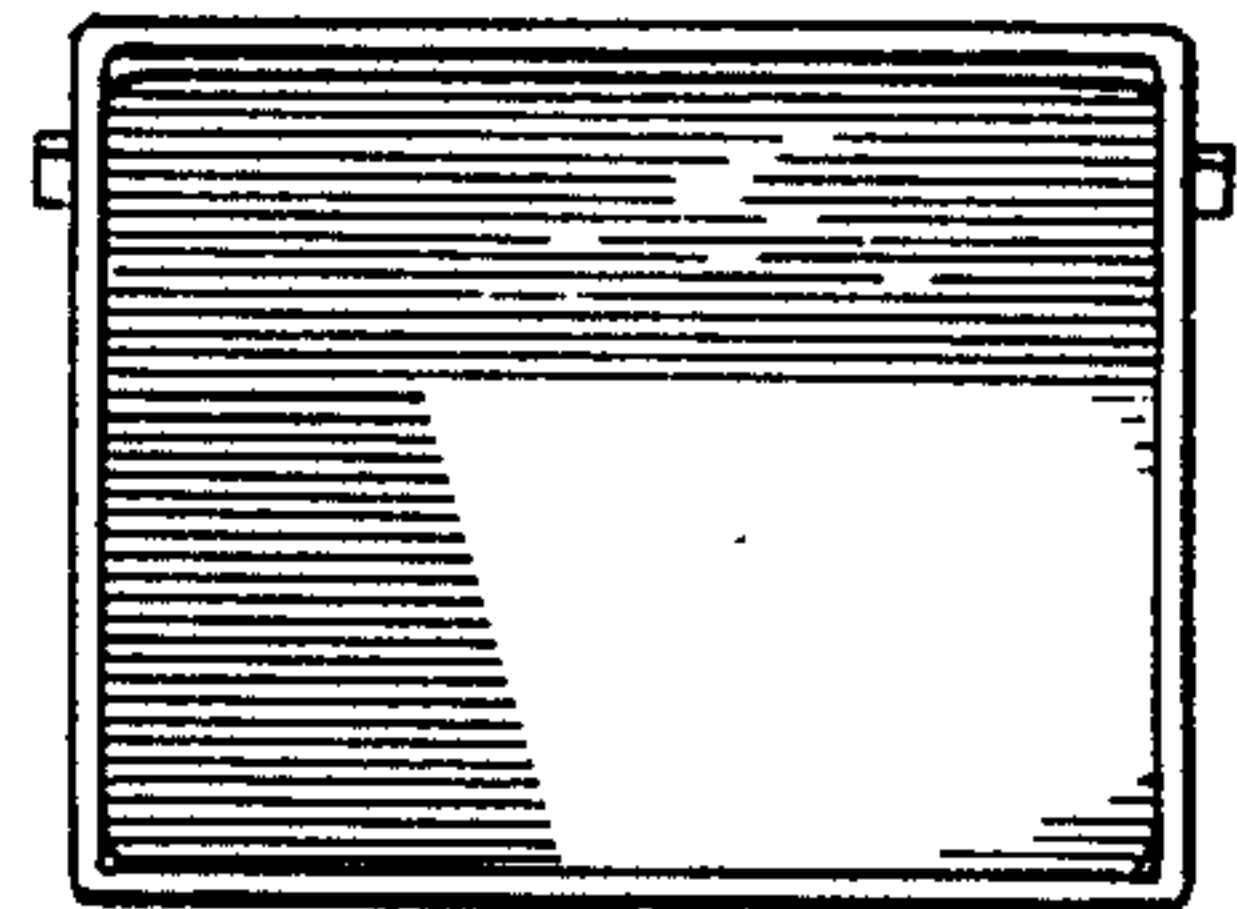


FIG-3

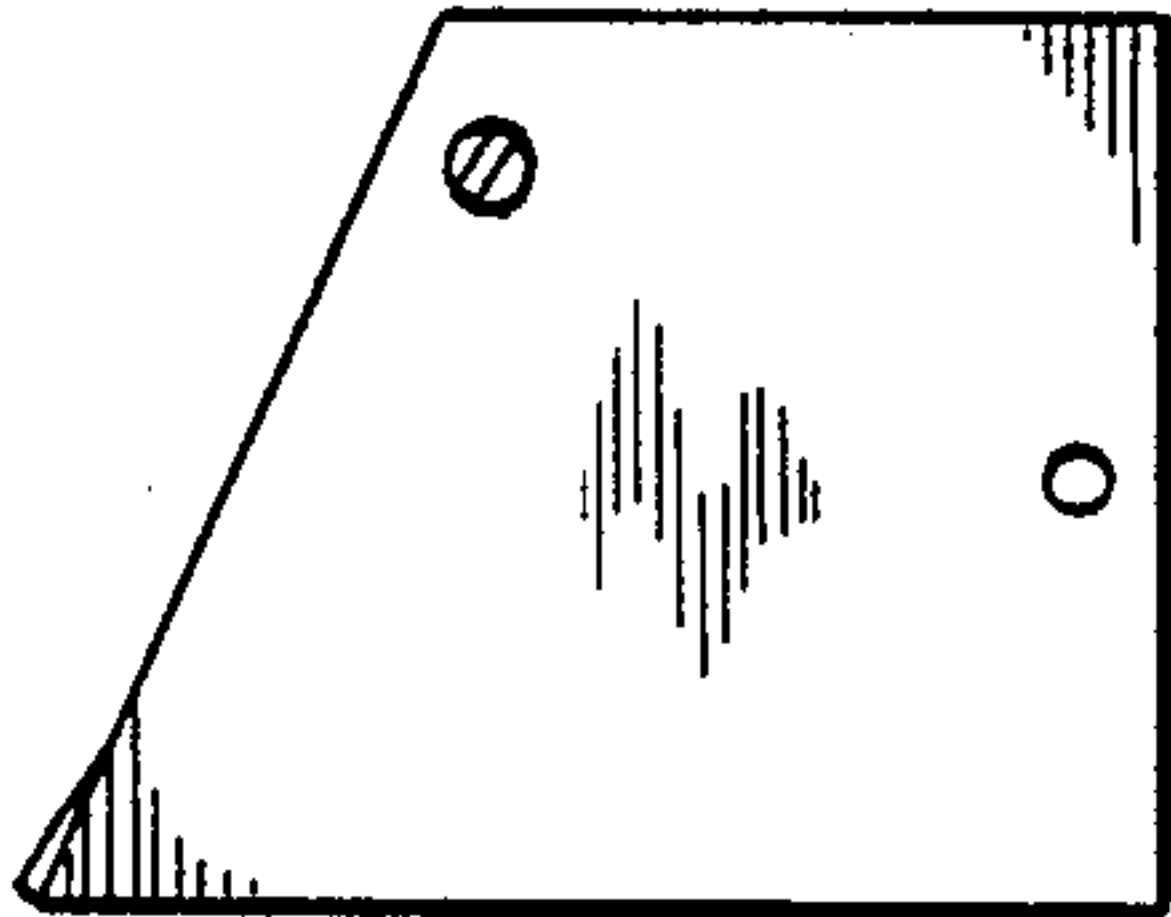


FIG-4

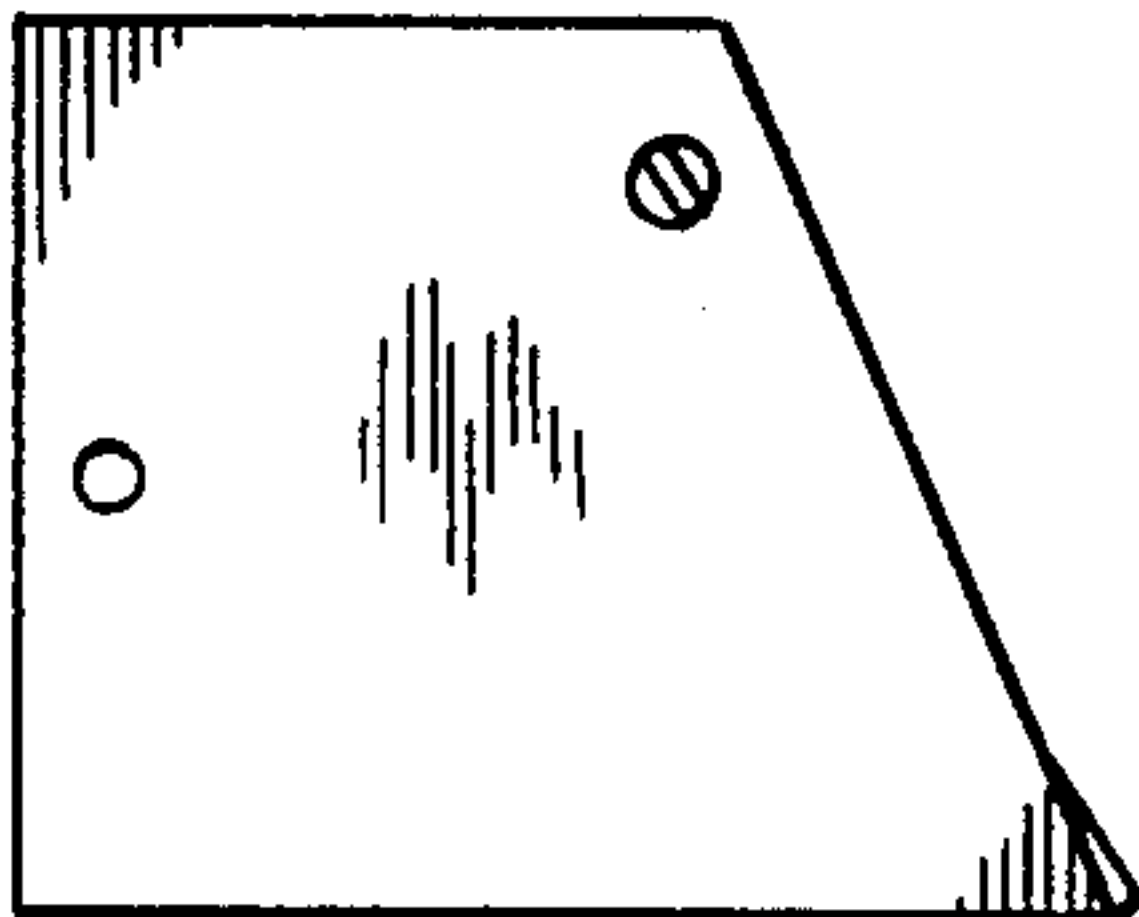


FIG-6

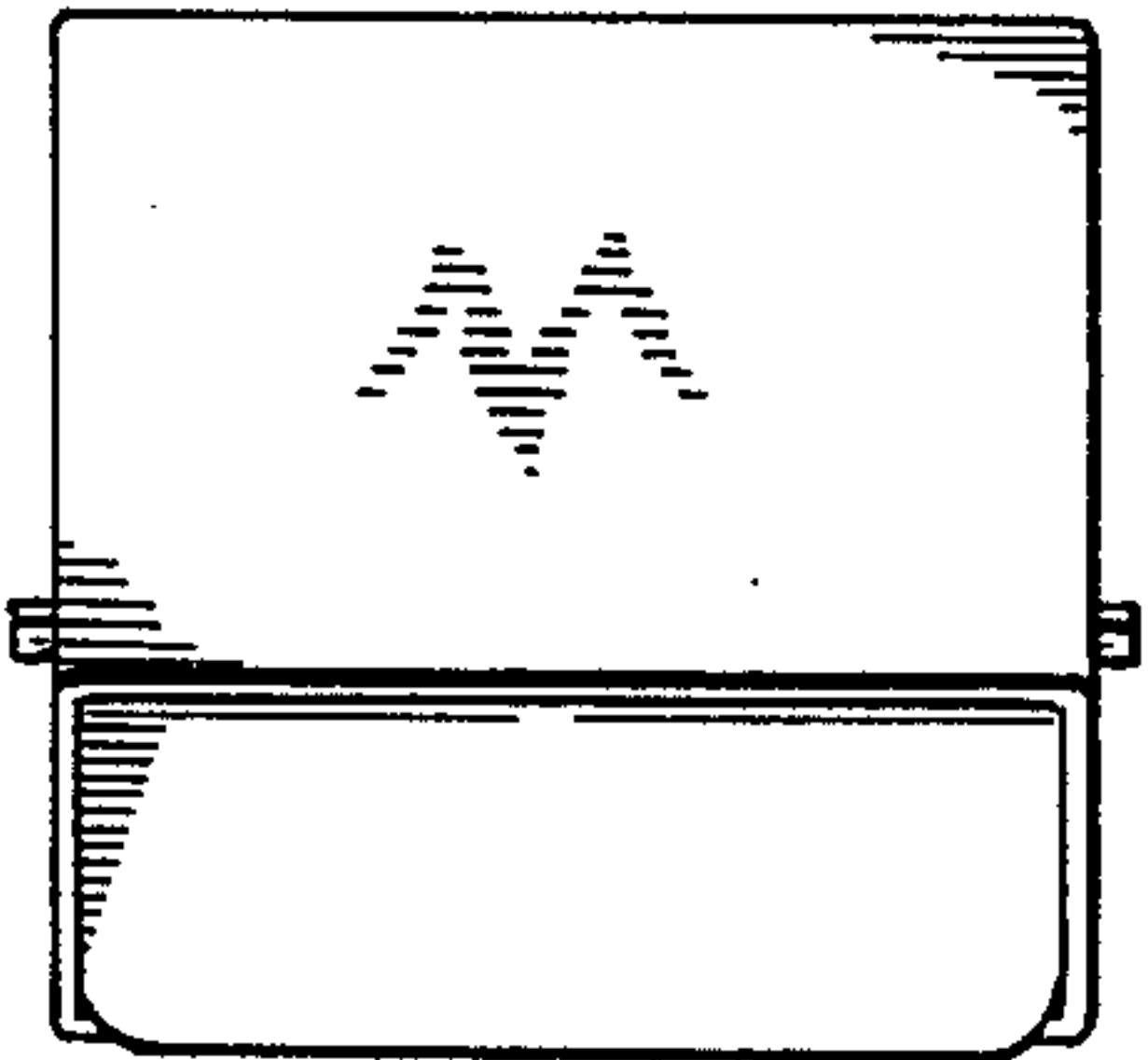


FIG-7

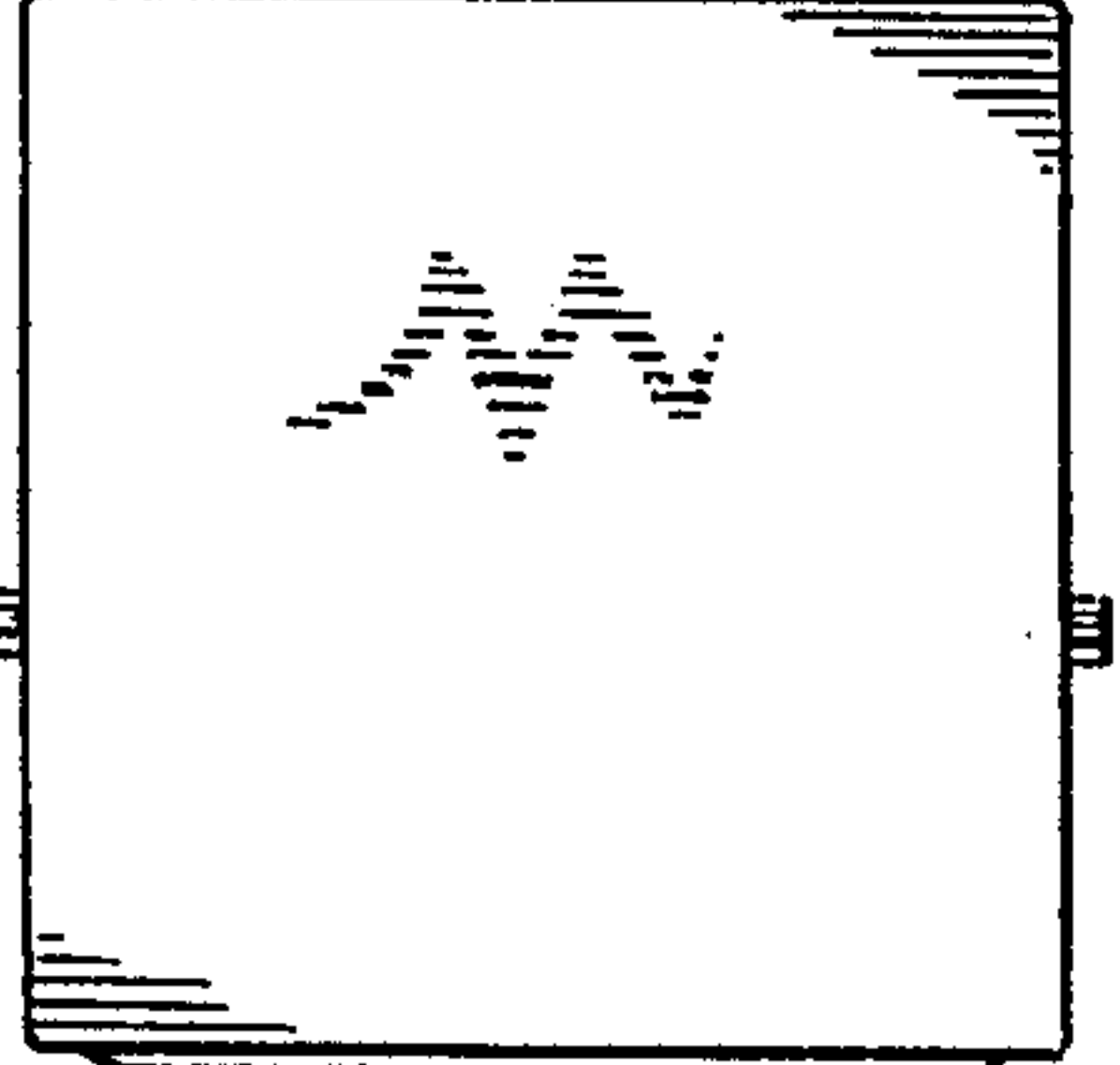


FIG-8

