

United States Patent [19]

Oberdörfer

[11] Patent Number: **Des. 301,162**

[45] Date of Patent: **** May 16, 1989**

[54] FAUCET

[76] Inventor: **Hans Oberdörfer**, Kolbäckerstr. 16,
D-7000 Stuttgart 80, Fed. Rep. of
Germany

[**] Term: **14 Years**

[21] Appl. No.: **934,137**

[22] Filed: **Nov. 24, 1986**

[30] **Foreign Application Priority Data**

May 24, 1986 [DE] Fed. Rep. of Germany MR6139

[52] U.S. Cl. **D23/238**

[58] Field of Search D23/238-243,
D23/250-257; 4/191, 192; 137/606, 801

[56] **References Cited**

U.S. PATENT DOCUMENTS

D. 253,607 12/1979 Haug D23/238
D. 291,232 8/1987 Haug et al. D23/238
D. 291,234 8/1987 Bergmann et al. D23/238

D. 291,235 8/1987 Bergmann et al. D23/238
D. 291,590 8/1987 Bengtsson D23/238
D. 292,601 11/1987 Wu D23/238
2,818,878 1/1958 Russell D23/238 X
3,202,181 8/1965 West D23/238 X
3,369,566 2/1968 Schmitt et al. D23/238 X
3,533,436 10/1970 Parkison D23/238 X

Primary Examiner—James R. Largen
Attorney, Agent, or Firm—Fred Philpitt

[57] **CLAIM**

The ornamental design for a faucet, as shown and described.

DESCRIPTION

FIG. 1 is a perspective view taken from the top, front and left side of faucet showing our new design; FIG. 2 is a right side elevational view thereof, the left side being a mirror image of the right side shown; FIG. 3 is a front elevational view thereof; FIG. 4 is a rear elevational view thereof; FIG. 5 is a top plan view thereof; and FIG. 6 is a bottom plan view thereof.

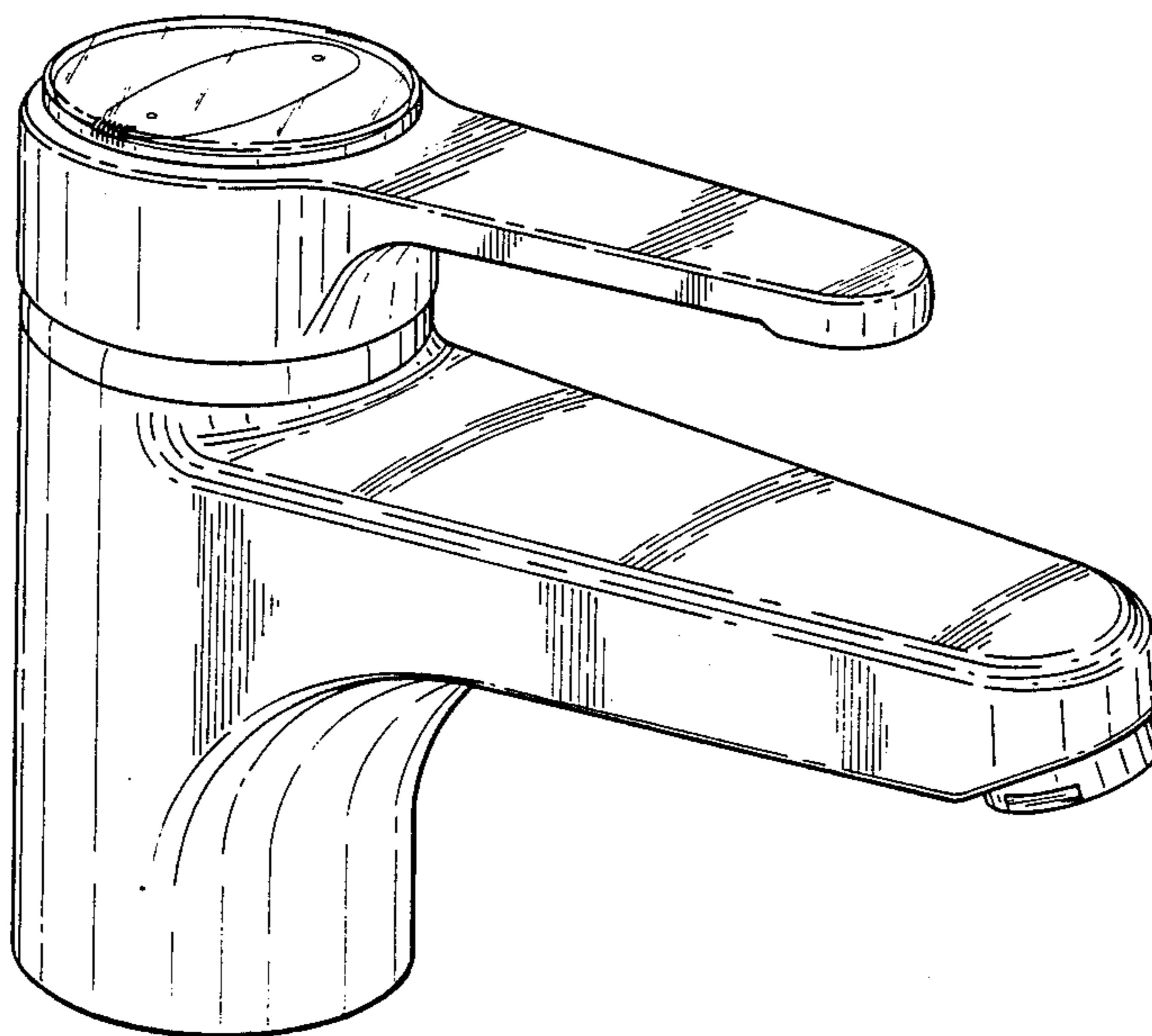


FIG. 1

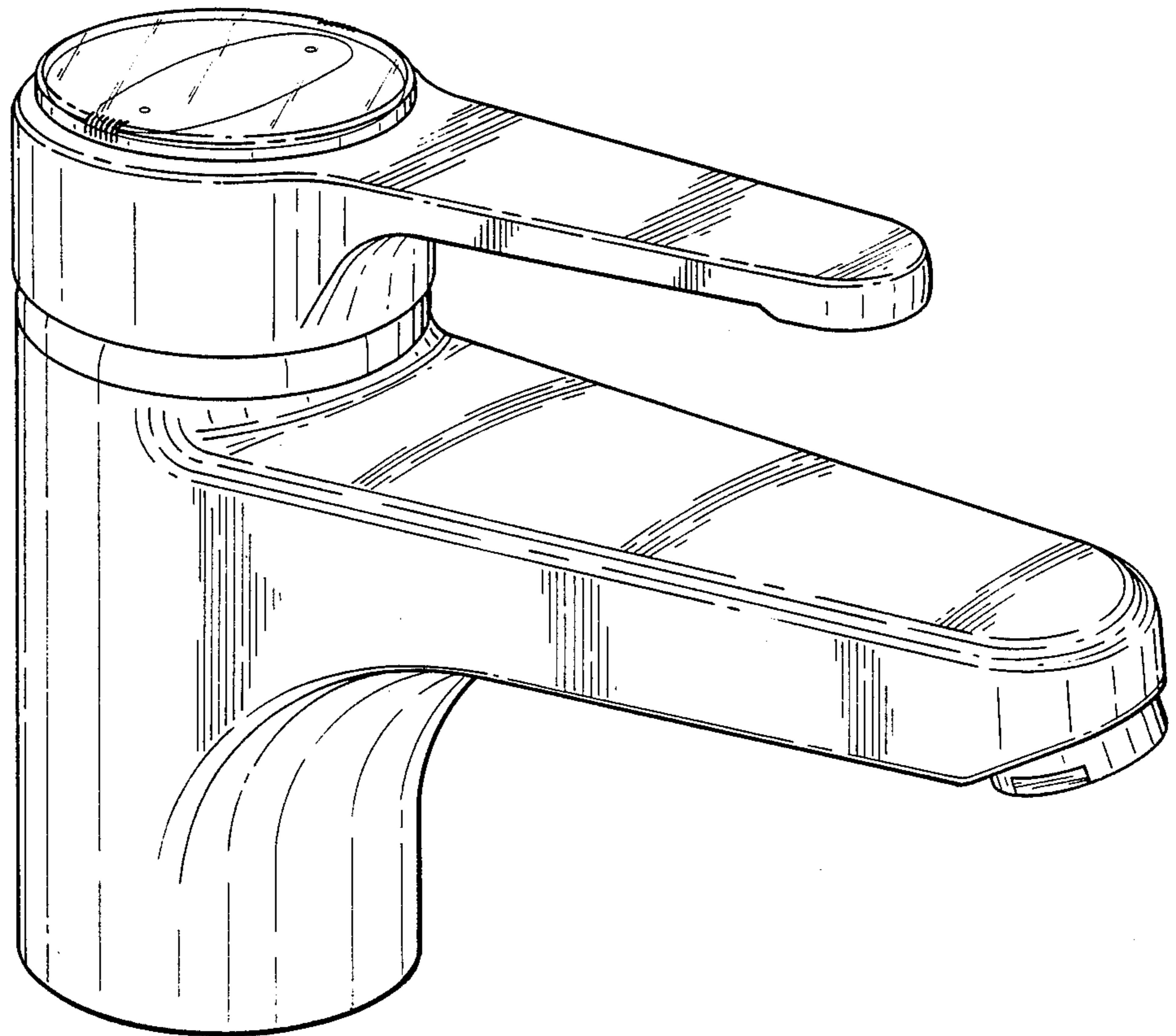


FIG. 2

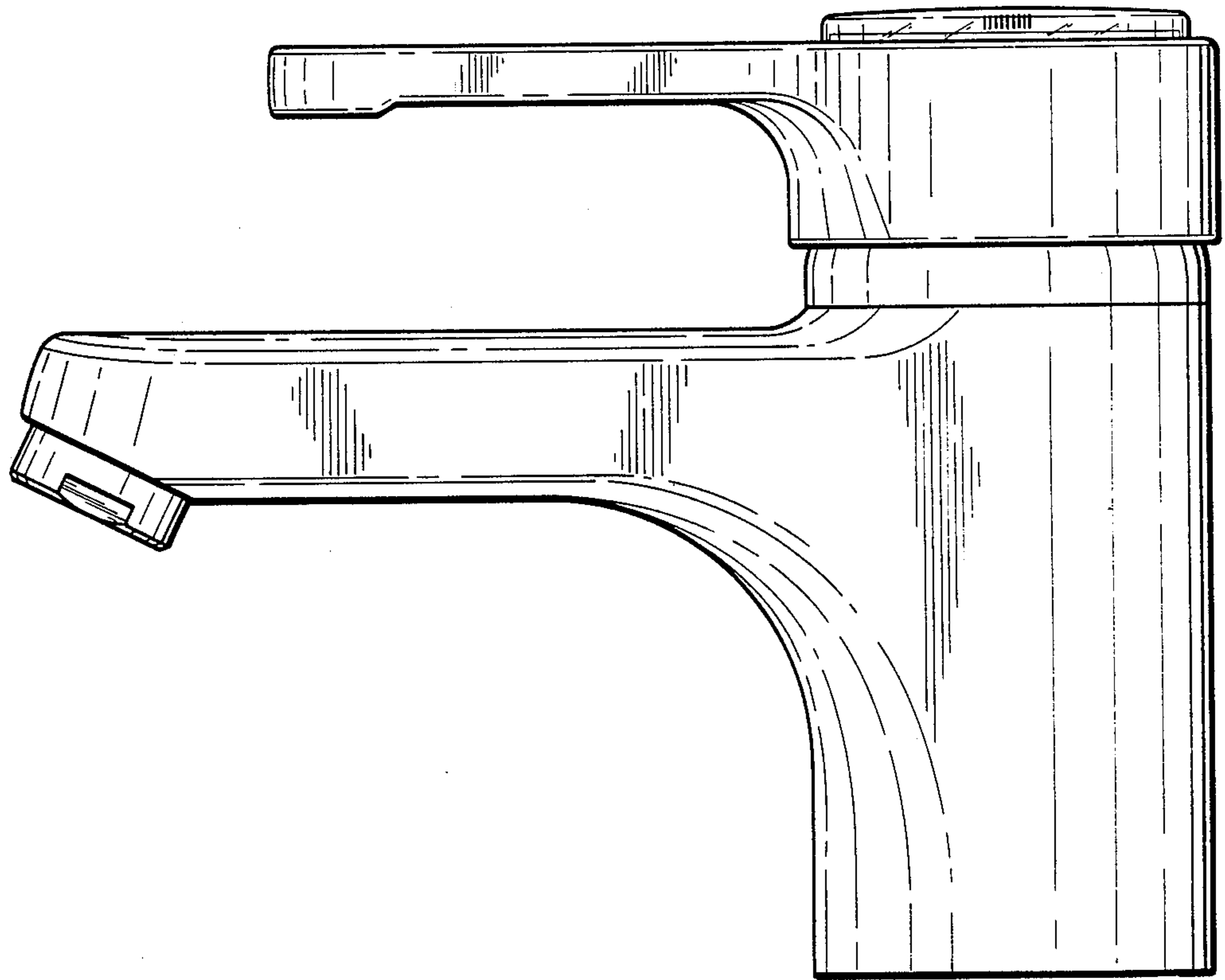


FIG. 3

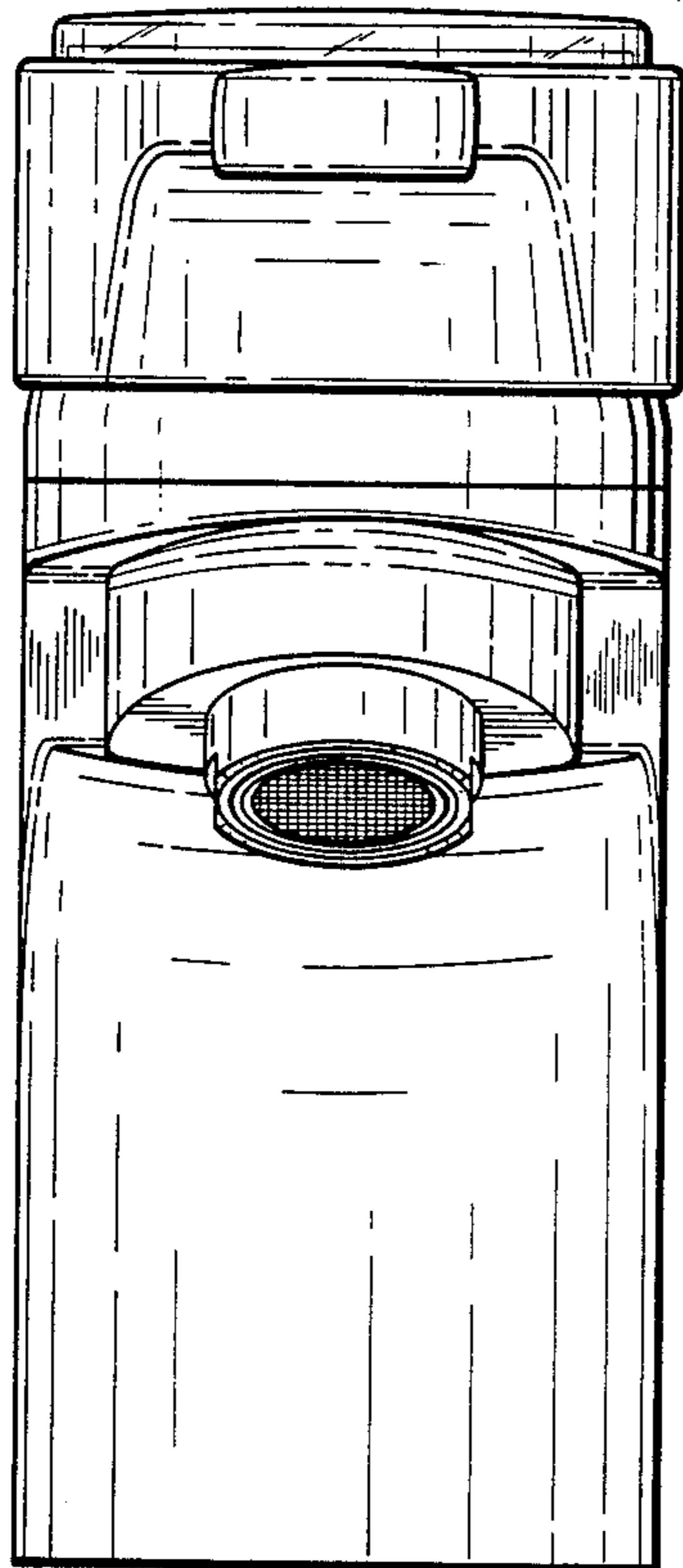


FIG. 4

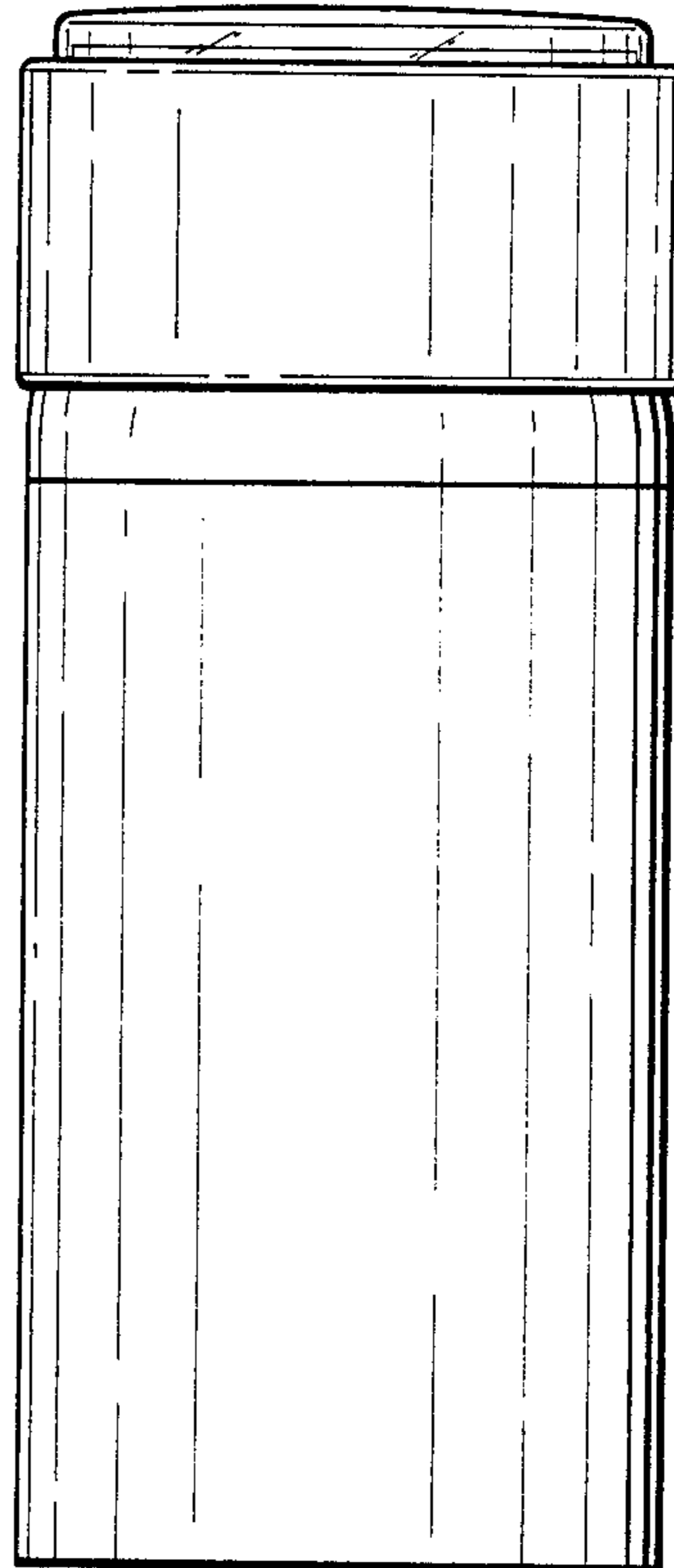


FIG. 5

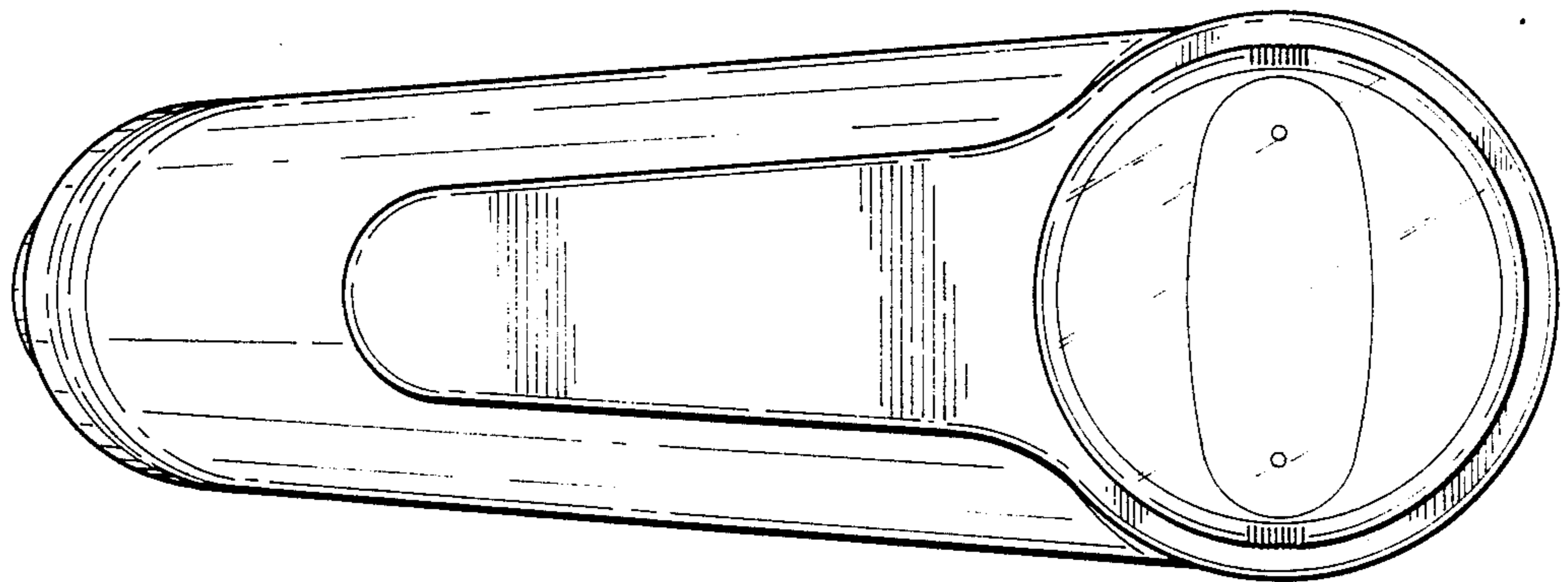


FIG. 6

