

# United States Patent [19]

Dunse

[11] Patent Number: Des. 301,161

[45] Date of Patent: \*\* May 16, 1989

[54] GAME-BALL

[76] Inventor: Walter D. Dunse, 410 S. Washington,  
Jerseyville, Ill. 62052

[\*\*] Term: 14 Years

[21] Appl. No.: 8,522

[22] Filed: Jan. 29, 1987

[52] U.S. Cl. .... D21/203

[58] Field of Search ..... D21/203, 204, 2, 51;  
273/58 K, 146, 428, 1 R, 1 G; 428/11;  
D11/124, 125

[56] References Cited

## U.S. PATENT DOCUMENTS

563,170 6/1896 Haley .  
1,853,515 4/1932 Egerer .

2,309,475 1/1943 Palmieri .  
2,362,064 11/1944 Giesinger .  
3,105,457 10/1963 Krueger ..... D11/125  
3,546,049 12/1970 Kostich ..... 428/11

## FOREIGN PATENT DOCUMENTS

1261616 4/1961 France ..... 273/58 K

*Primary Examiner*—Melvin B. Feifer  
*Attorney, Agent, or Firm*—Don Weber

[57] CLAIM

The ornamental design for a game-ball, as shown.

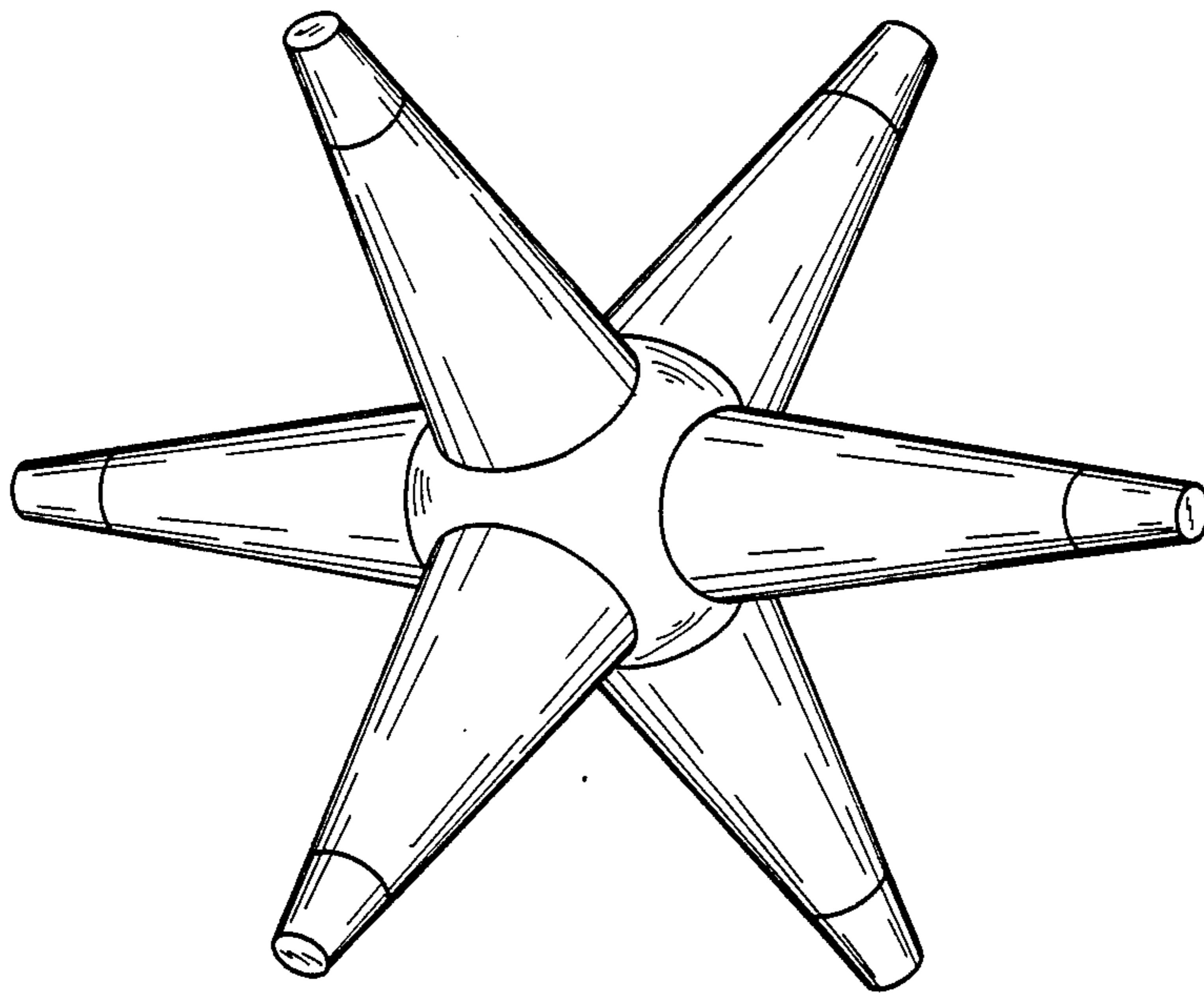
## DESCRIPTION

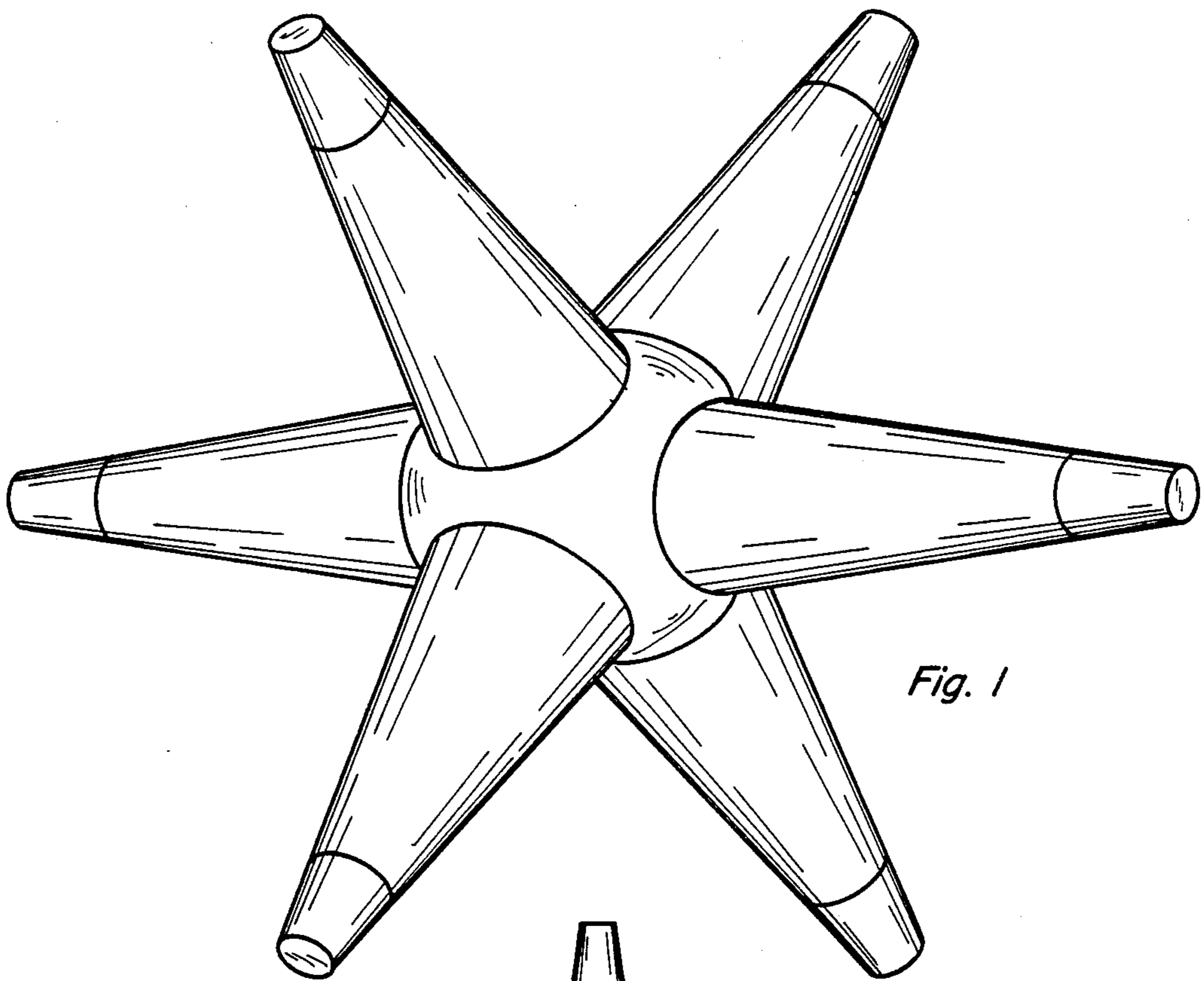
FIG. 1 is a perspective view of the game-ball showing my new design;

FIG. 2 is a front view;

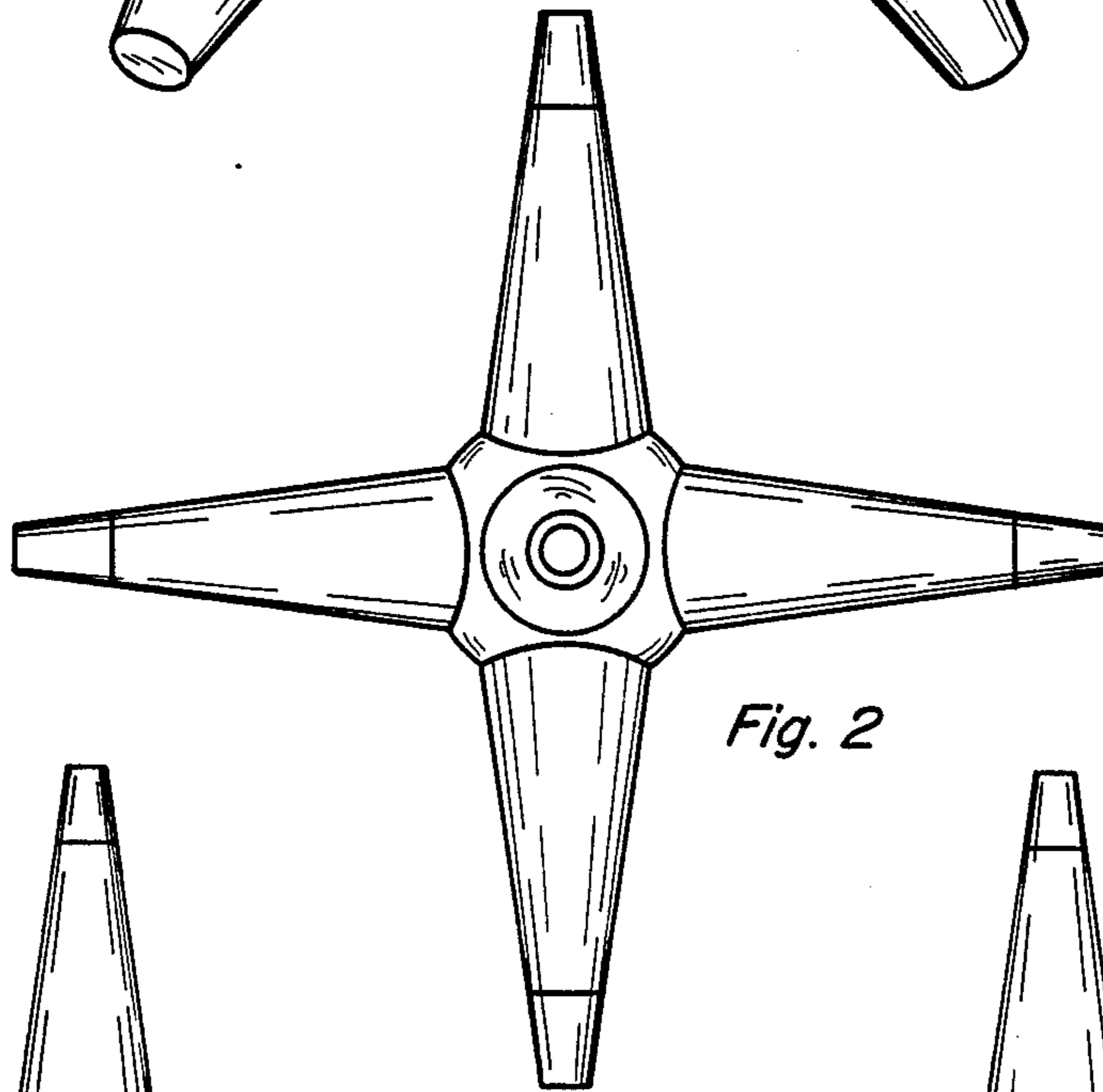
FIG. 3 is a top view;

FIG. 4 is a right side view.

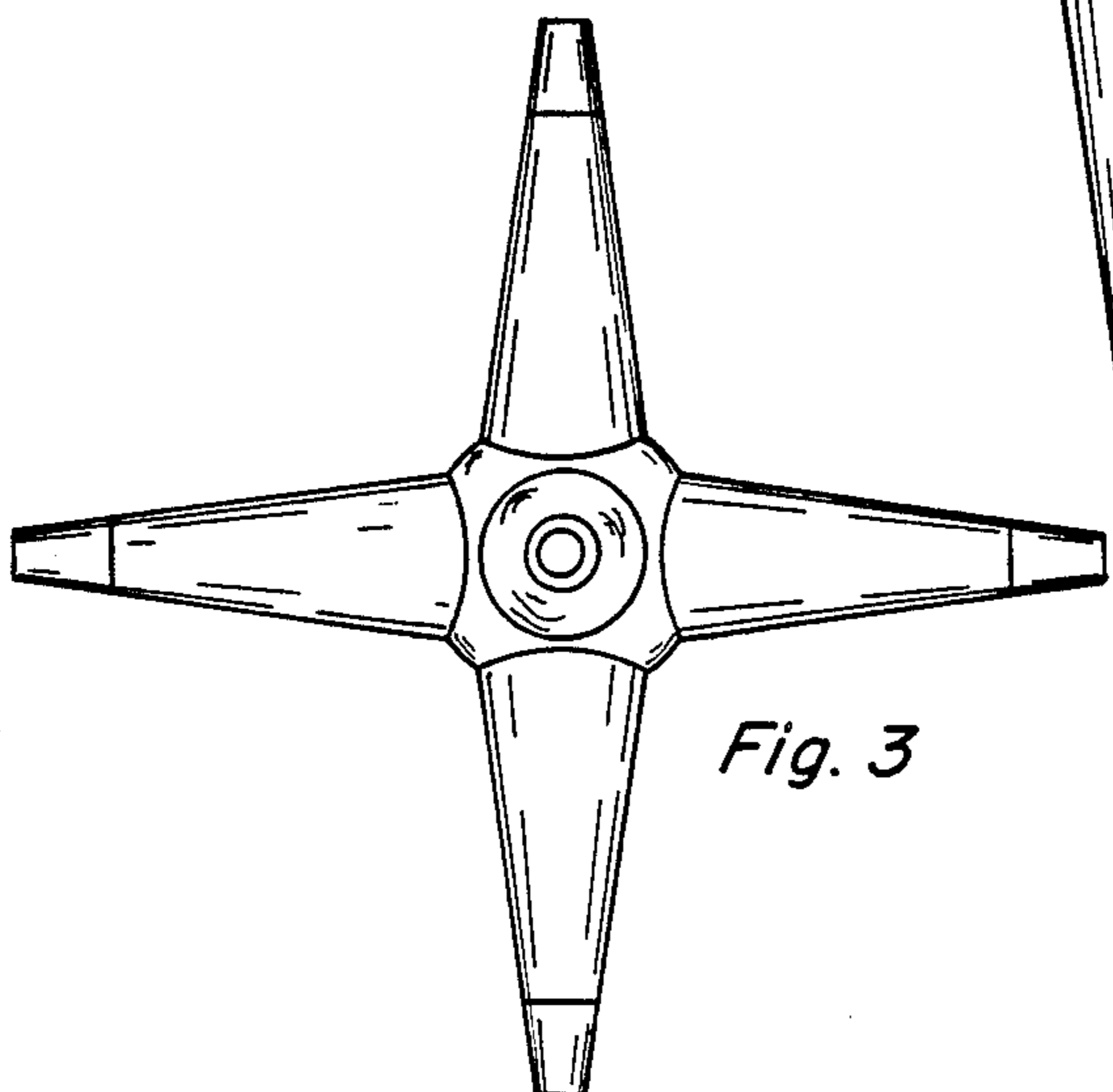




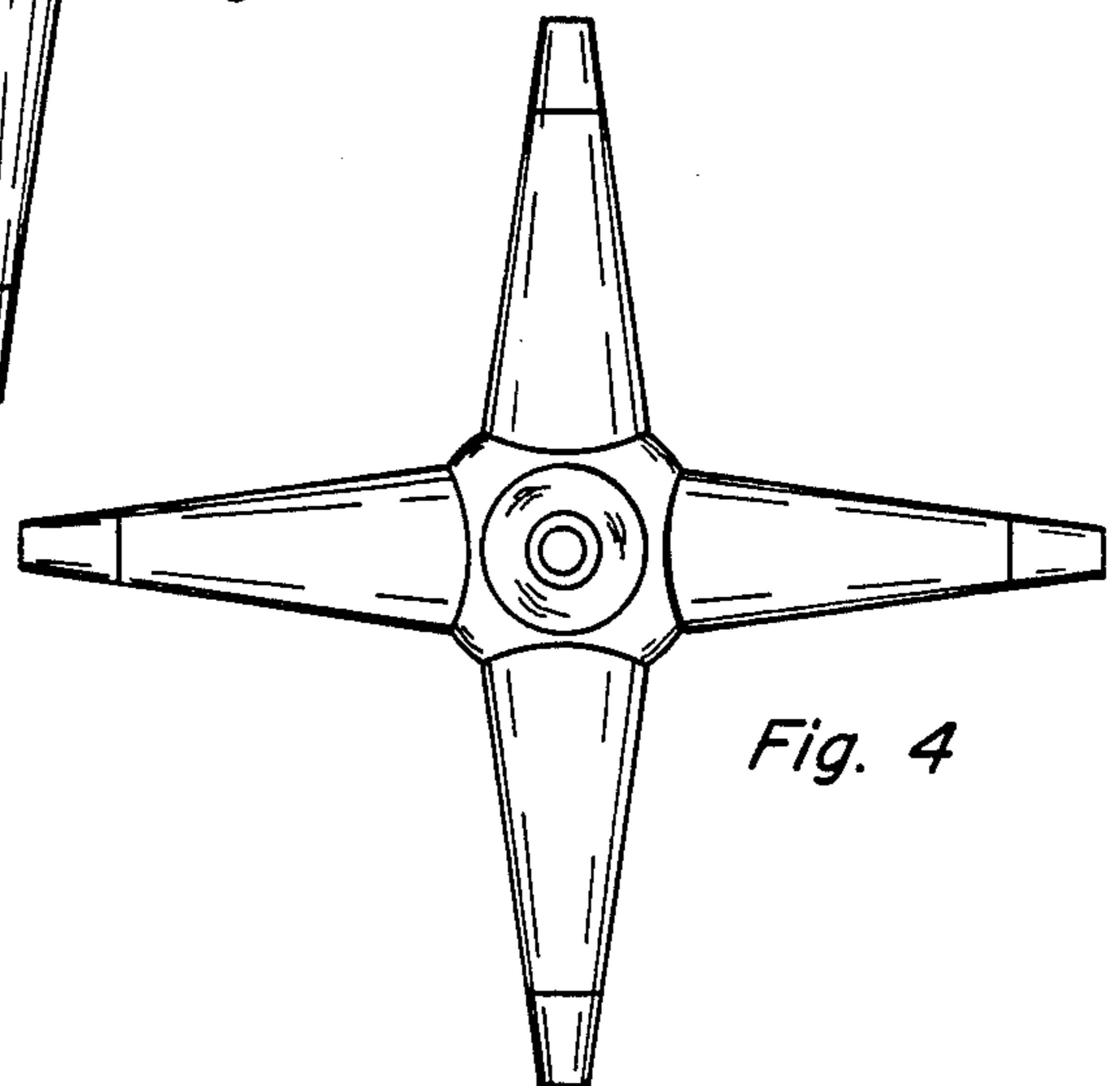
*Fig. 1*



*Fig. 2*



*Fig. 3*



*Fig. 4*