

United States Patent [19]
Hung

[11] **Patent Number: Des. 301,160**

[45] **Date of Patent: ** May 16, 1989**

[54] **EXERCISE BICYCLE**

[76] **Inventor: Michael Hung, 11th Fl., 624 Ming Chuan E. Rd., Taipei, Taiwan**

[**] **Term: 14 Years**

[21] **Appl. No.: 10,837**

[22] **Filed: Feb. 2, 1987**

[52] **U.S. Cl. D21/194**

[58] **Field of Search D21/191-199;
272/70.3, 73, 132; 73/379**

[56] **References Cited**

U.S. PATENT DOCUMENTS

D. 285,816 9/1986 Berntsson D21/194
D. 285,953 9/1986 Gustafsson D21/194

D. 289,669 5/1987 Kasuba et al. D21/194

Primary Examiner—Charles A. Rademaker
Attorney, Agent, or Firm—Wenderoth, Lind & Ponack

[57] **CLAIM**

The ornamental design for an exercise bicycle, as shown.

DESCRIPTION

FIG. 1 is a perspective view of an exercise bicycle showing my new design;

FIG. 2 is a front elevational view thereof;

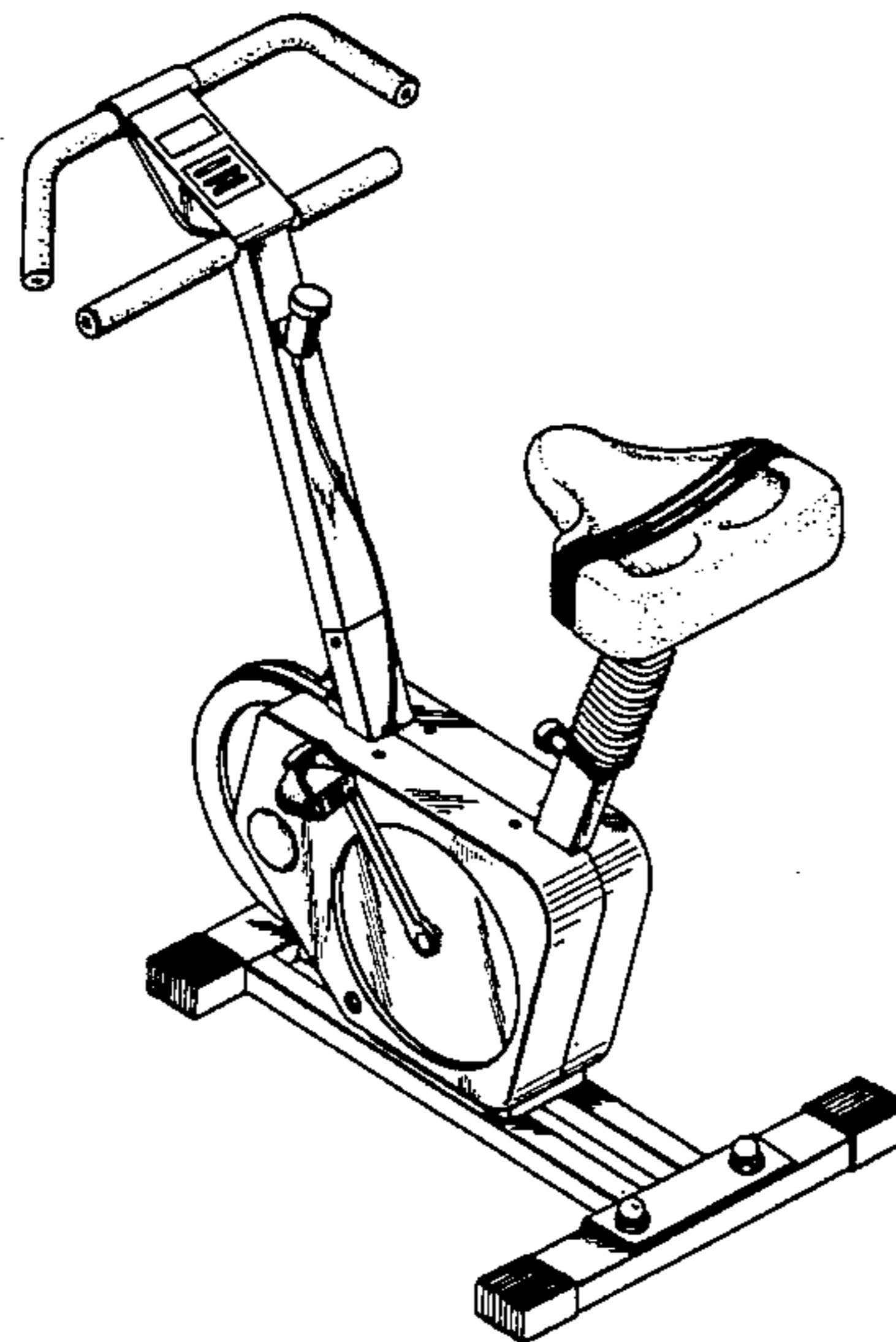
FIG. 3 is a rear elevational view thereof;

FIG. 4 is a right side elevational view thereof;

FIG. 5 is a left side elevational view thereof;

FIG. 6 is a top plan view thereof; and

FIG. 7 is a bottom plan view thereof.



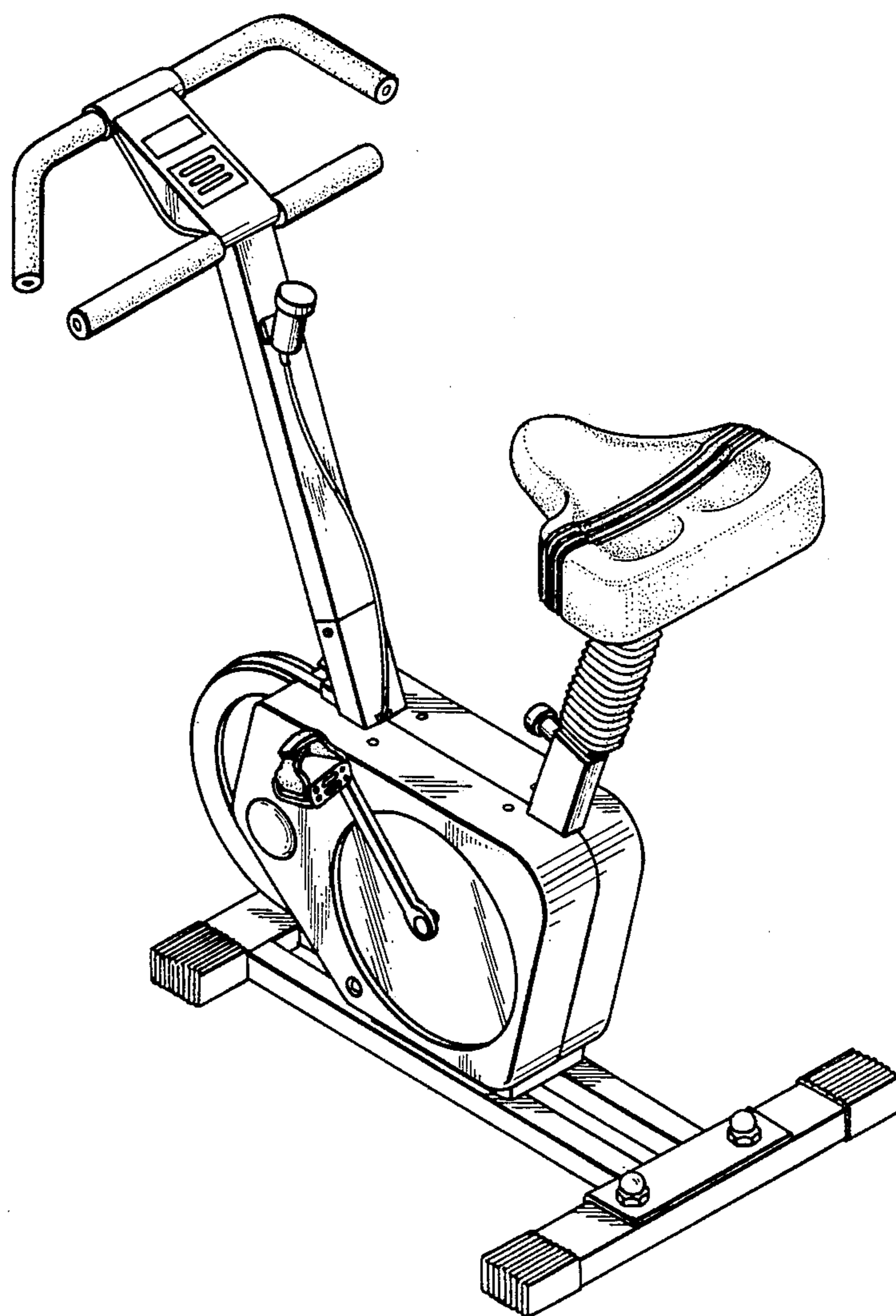


Fig. 1

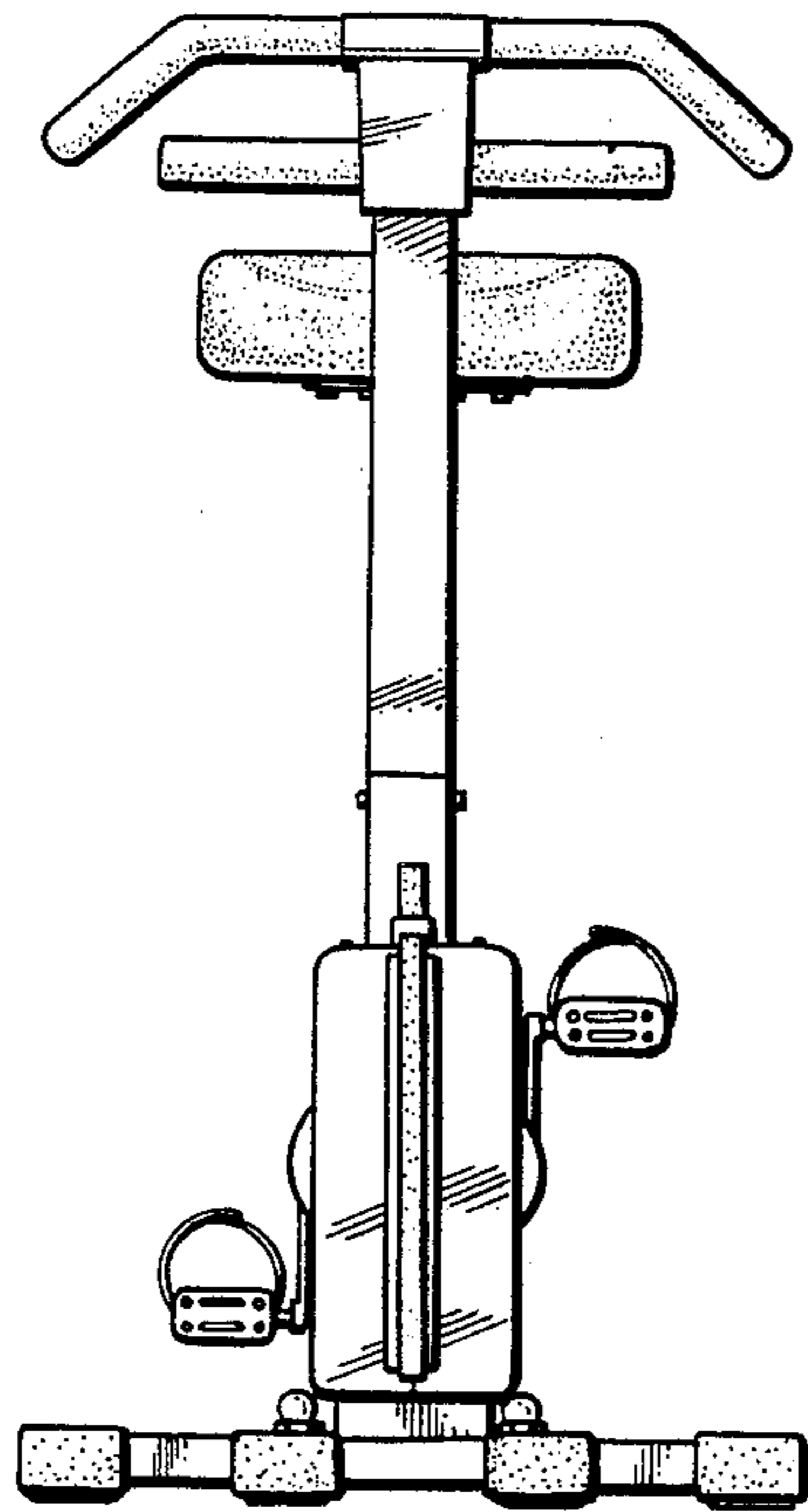


Fig. 2

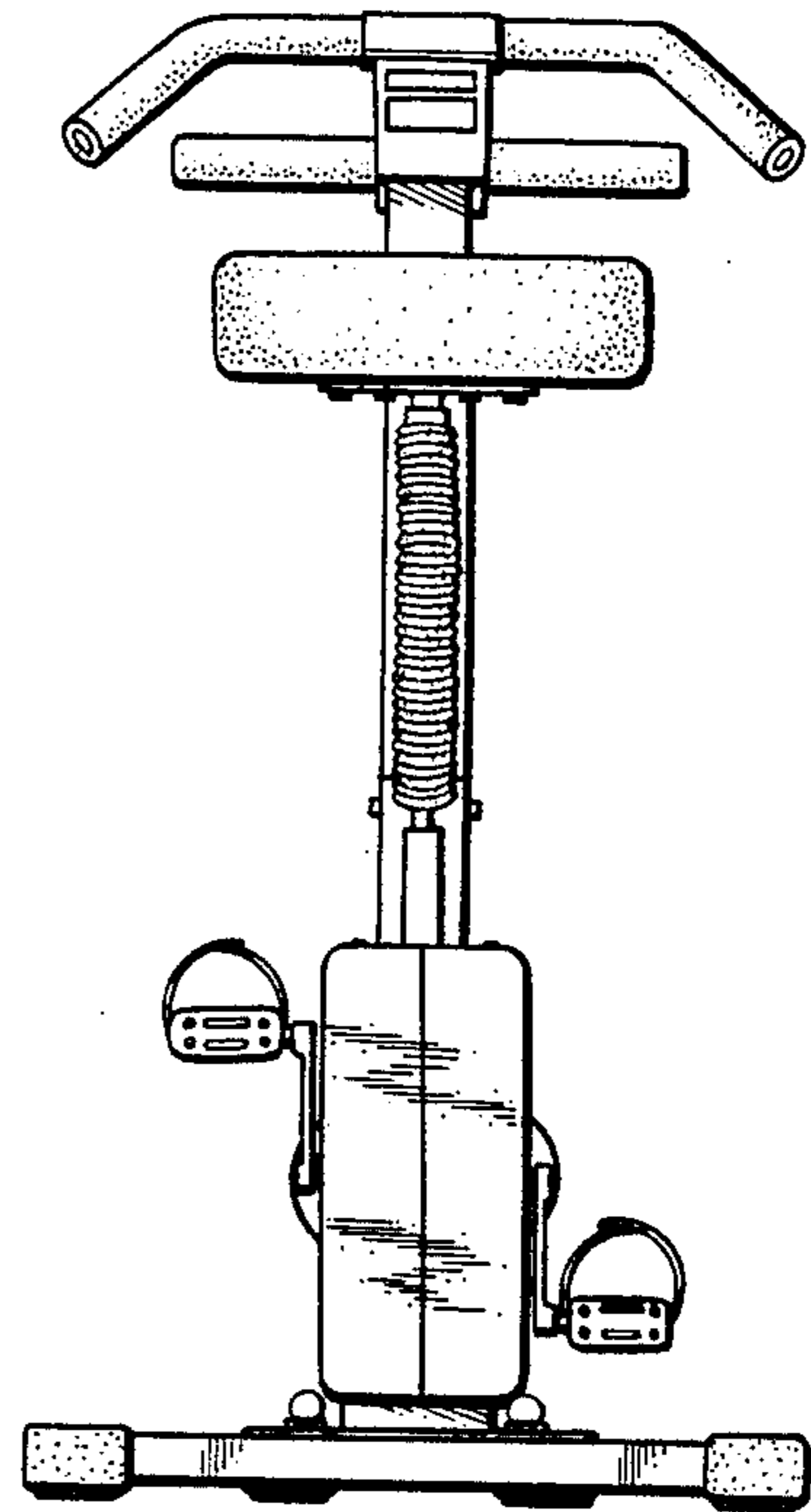


Fig. 3

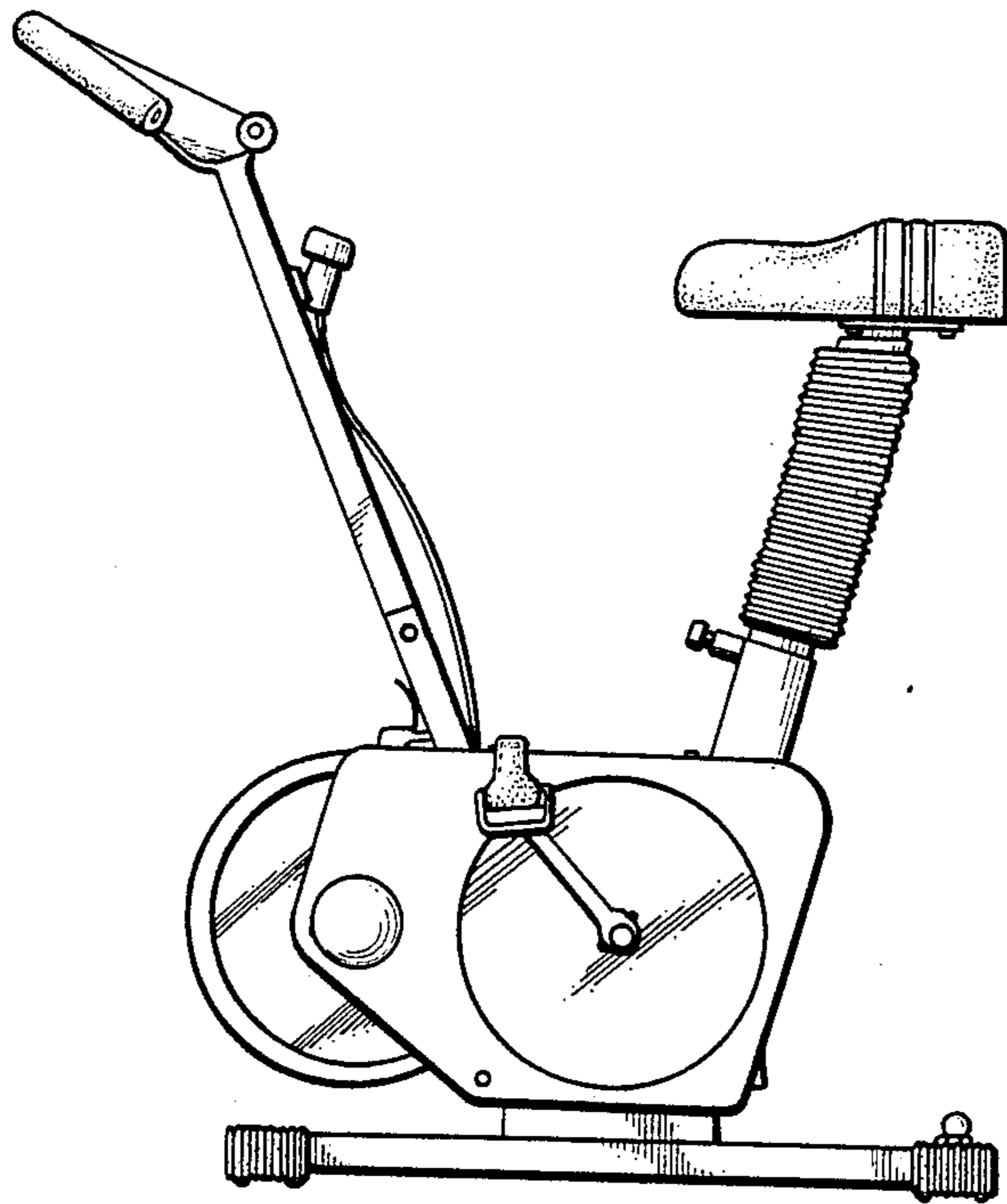


Fig. 4

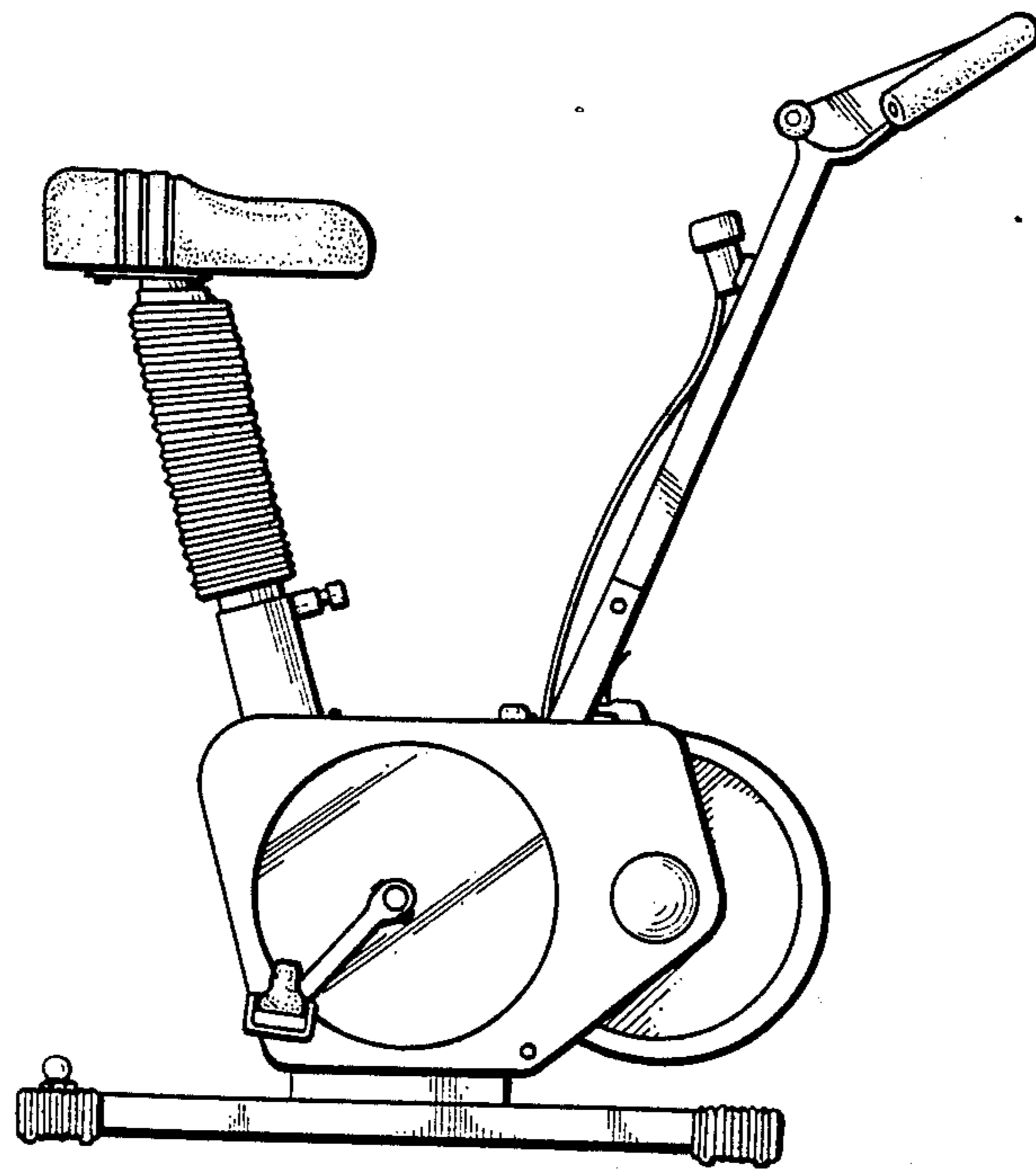


Fig. 5

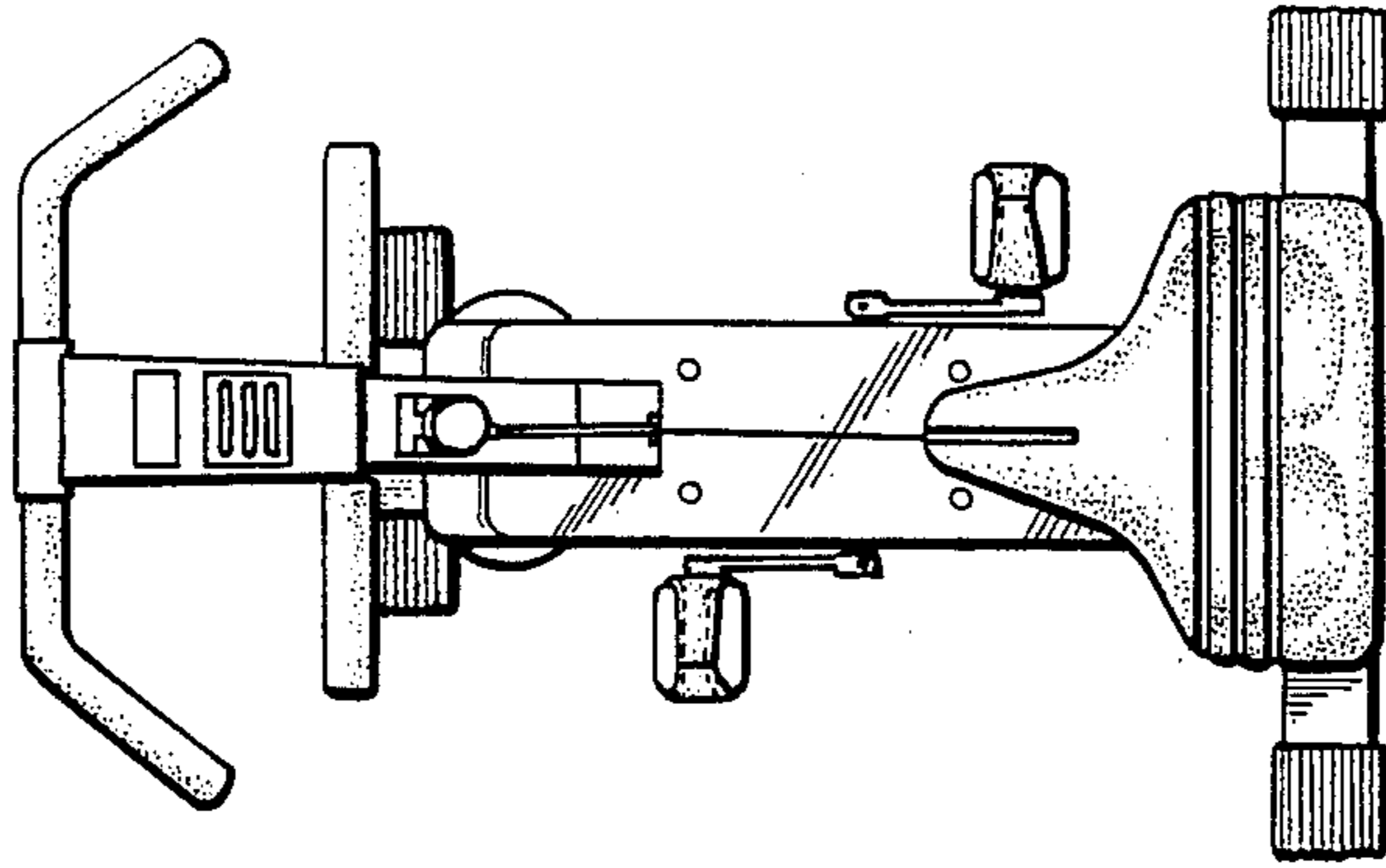


Fig. 6

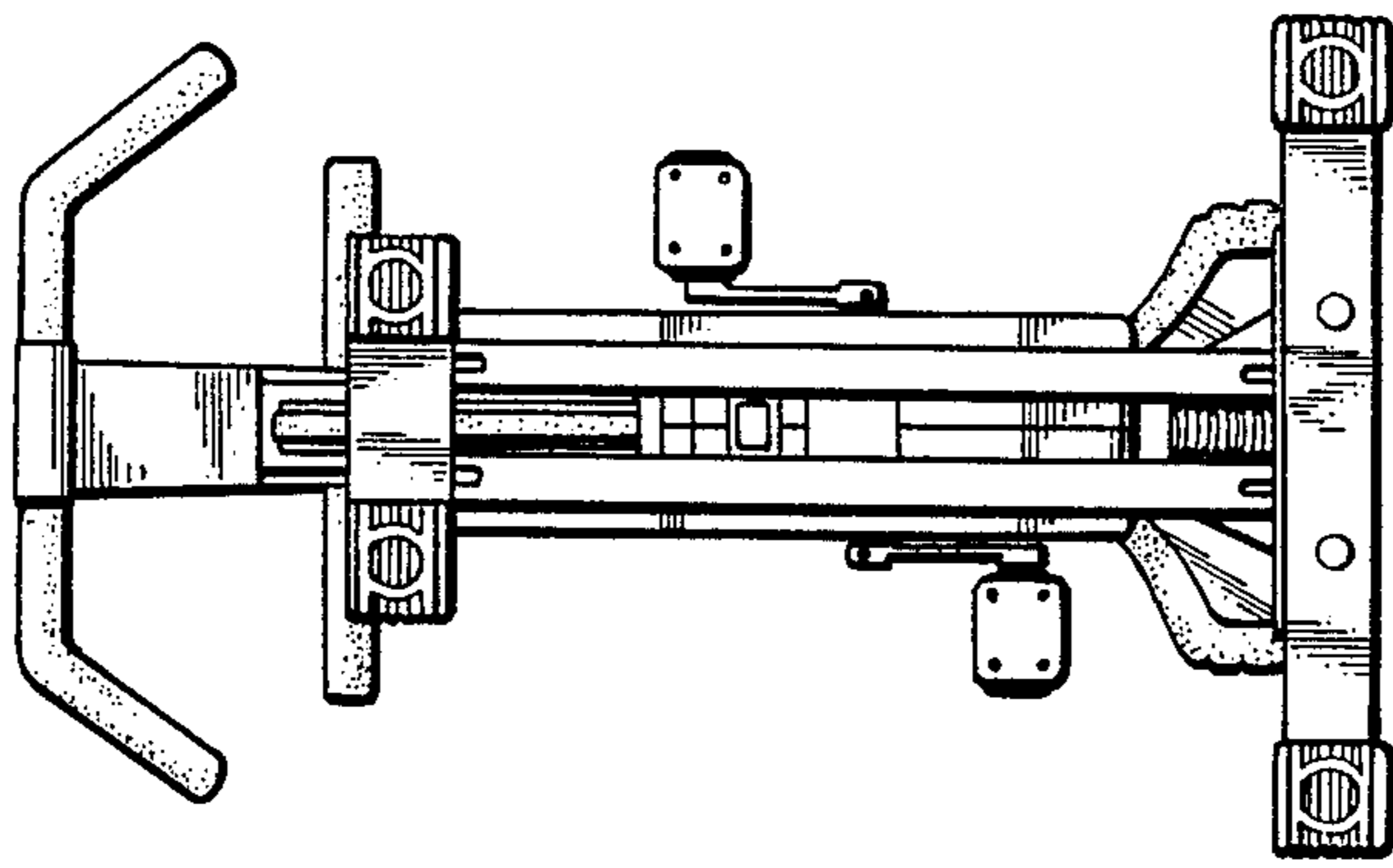


Fig. 7