

[54] COMBINED BAND BRAKE AND SCOOTER WHEEL ASSEMBLY

[75] Inventor: Stanley C. Hess, Moorpark, Calif.

[73] Assignee: American Recreation Group, Commack, N.Y.

[**] Term: 14 Years

[21] Appl. No.: 905,054

[22] Filed: Sep. 8, 1986

[52] U.S. Cl. D21/81

[58] Field of Search D21/81, 80; D12/174, D12/179, 180; 280/87.01, 87.02, 87.04 R, 87.04 A; 188/26, 17.24, 21

- 4,109,762 8/1978 Wood .
- 4,142,732 3/1979 Boyd .
- 4,179,013 12/1979 Kine .
- 4,183,546 1/1980 Heilig .
- 4,355,706 10/1982 Pan .
- 4,384,637 5/1983 Runkle .
- 4,479,658 10/1984 Michaux .
- 4,591,027 5/1986 Takamiya et al. .

Primary Examiner—Charles A. Rademaker
Attorney, Agent, or Firm—Gottlieb, Rackman & Reisman

[57] CLAIM

The ornamental design for a combined band brake and scooter wheel assembly, as shown and described.

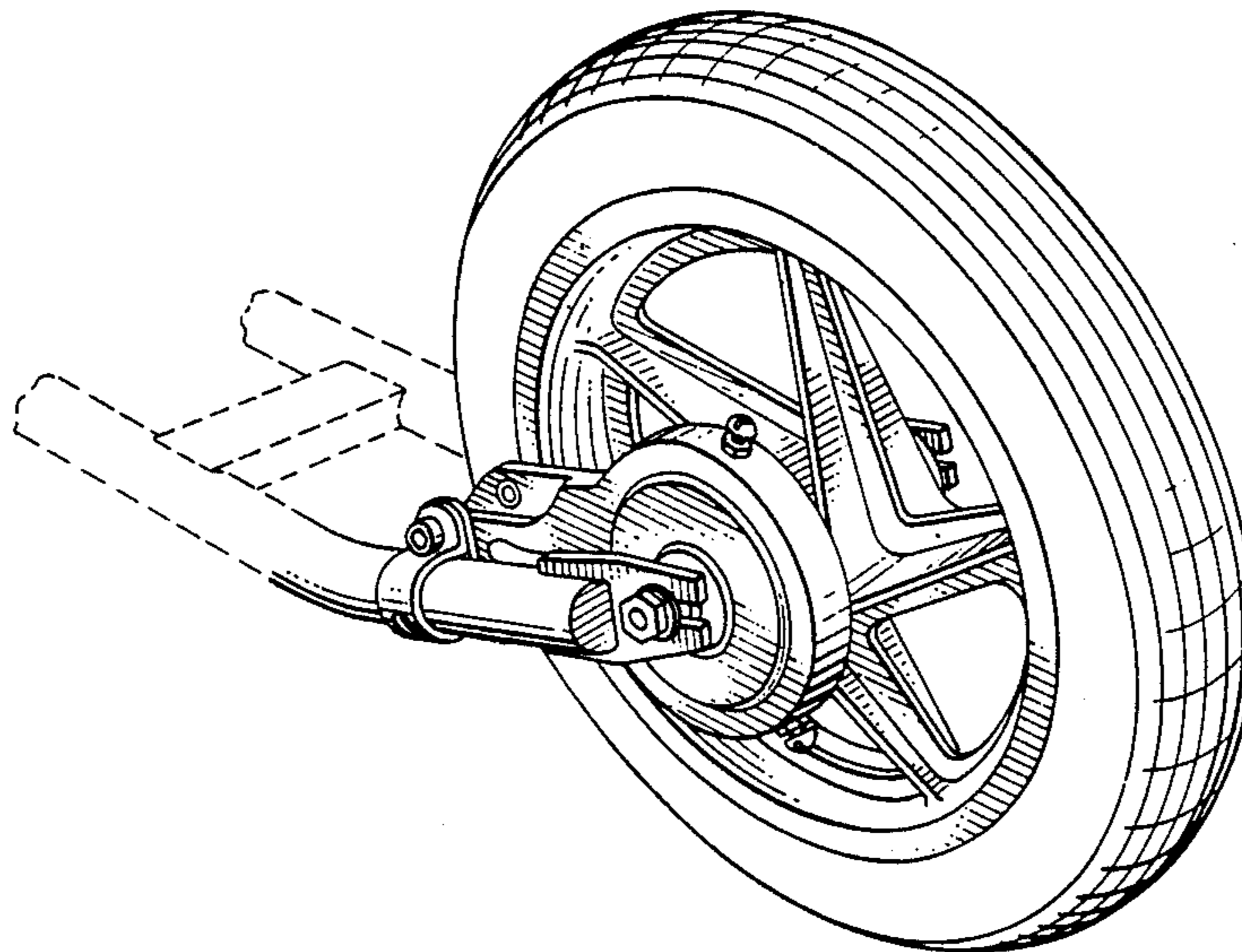
DESCRIPTION

FIG. 1 is a perspective view of a combined band brake and scooter wheel assembly showing my new design; FIG. 2 is a perspective view thereof shown on an enlarged scale; FIG. 3 is a top plan view thereof; FIG. 4 is a side elevational view thereof; FIG. 5 is a side elevational view of the side opposite that shown in FIG. 4; FIG. 6 is a front elevational view thereof; FIG. 7 is a rear elevational view thereof; and FIG. 8 is a bottom plan view thereof. The broken line showing of a scooter in FIG. 1 is for illustrative purposes only and forms no part of the claimed design.

[56] References Cited

U.S. PATENT DOCUMENTS

- D. 245,688 9/1977 Clapp D12/179
- D. 253,102 10/1979 Hahn .
- D. 292,221 10/1987 Mueller D21/81
- 516,986 3/1894 Copeland .
- 1,306,766 6/1919 Kuliper .
- 1,656,472 1/1928 Christofferson .
- 2,004,740 6/1935 Winkler 188/26
- 2,453,363 11/1948 Duffy .
- 2,953,389 9/1960 Green et al. .
- 3,828,895 8/1974 Baaz .
- 3,894,618 7/1975 Enright 188/26
- 3,897,857 8/1975 Rodaway .
- 3,992,029 11/1976 Washizawa et al. .
- 4,076,266 2/1978 Krausz .



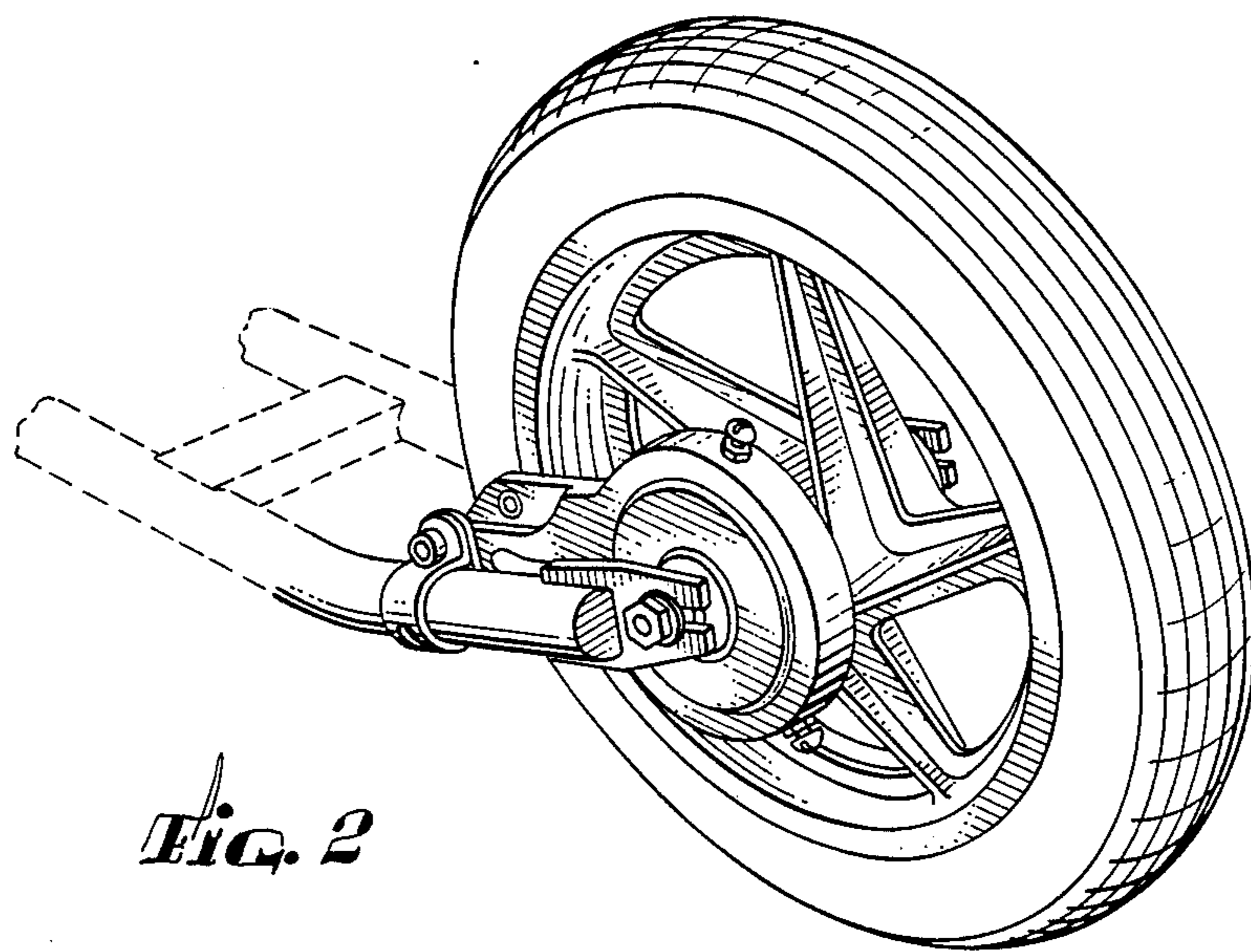
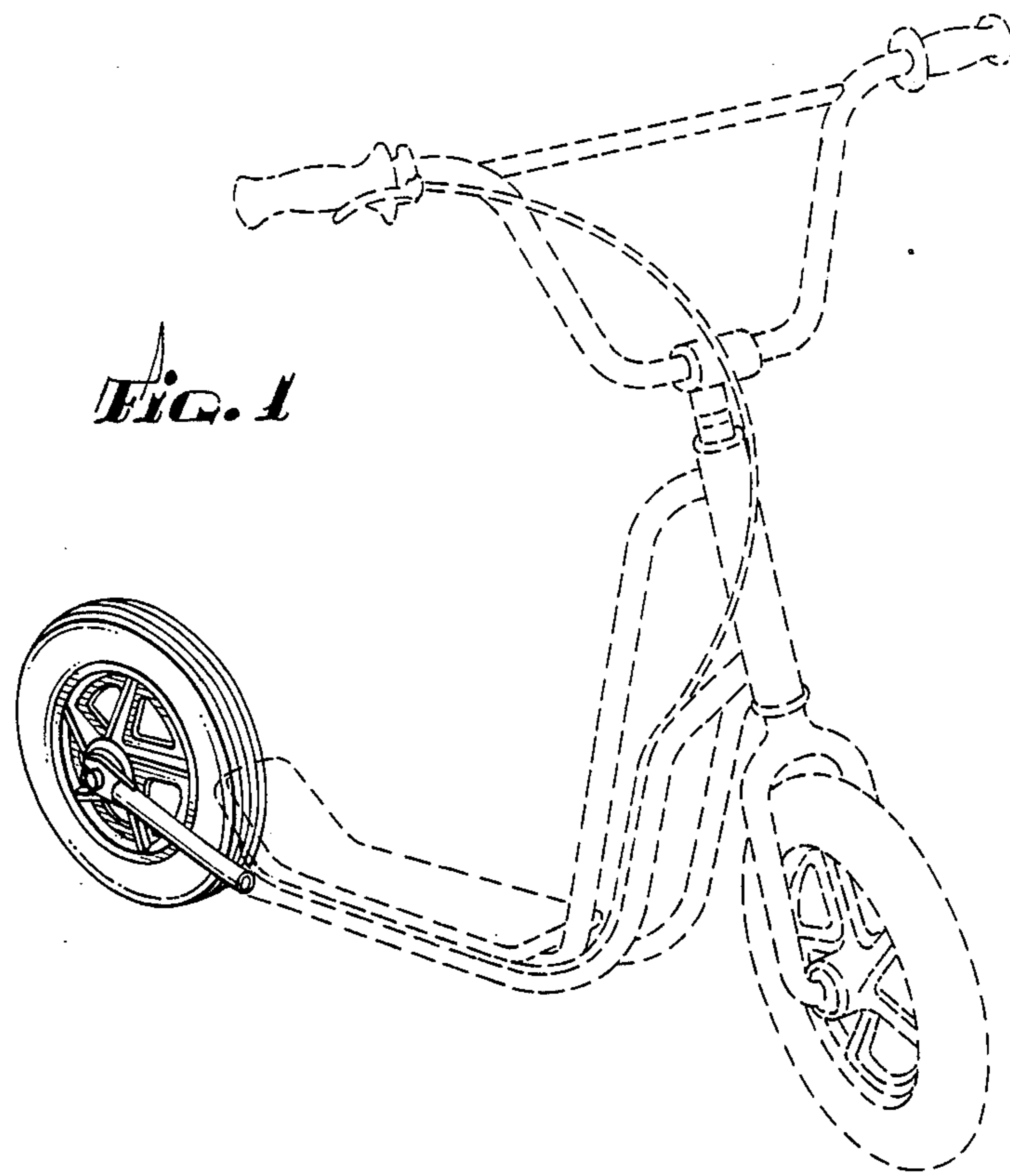


FIG. 3

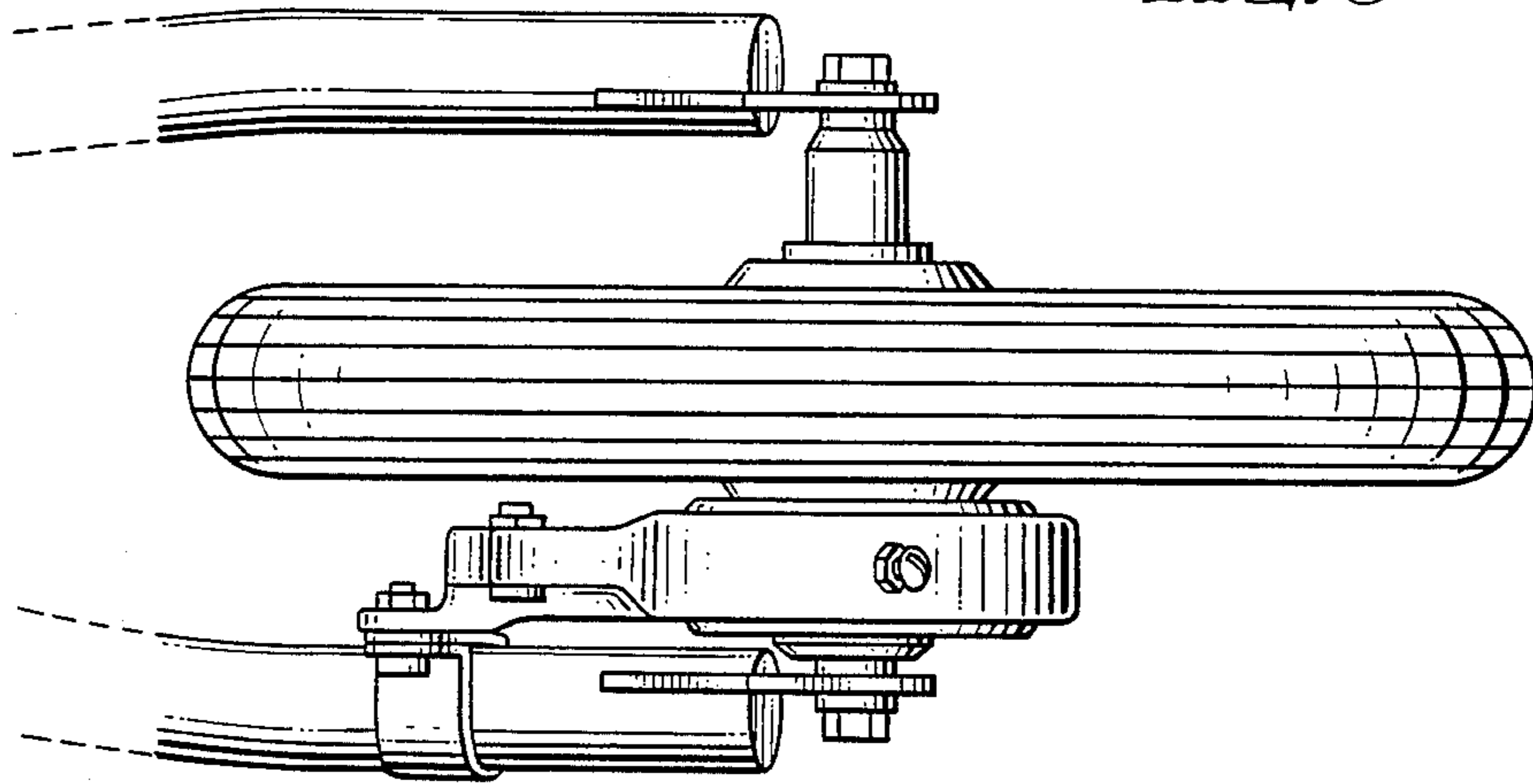


FIG. 4

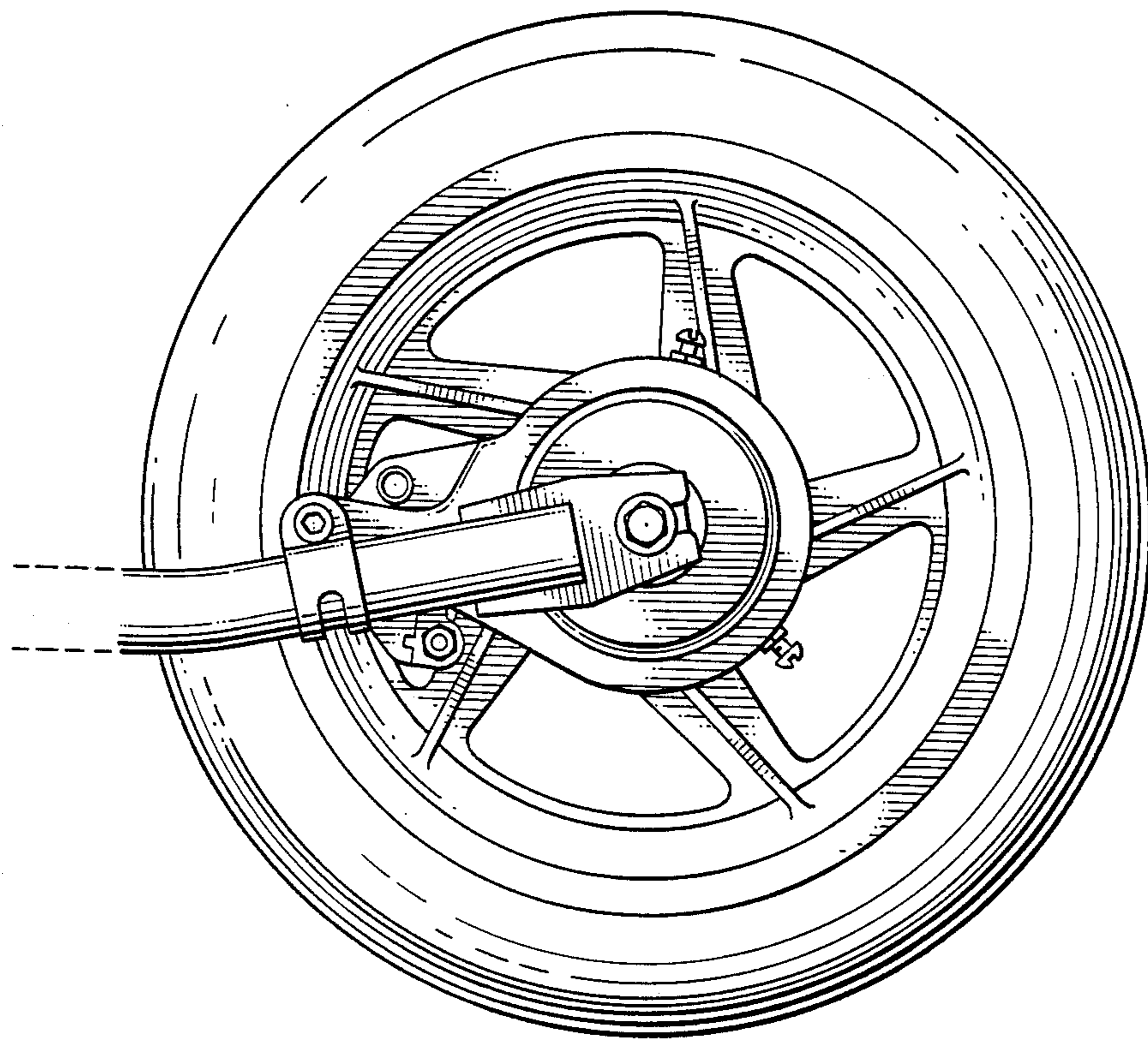


FIG. 6

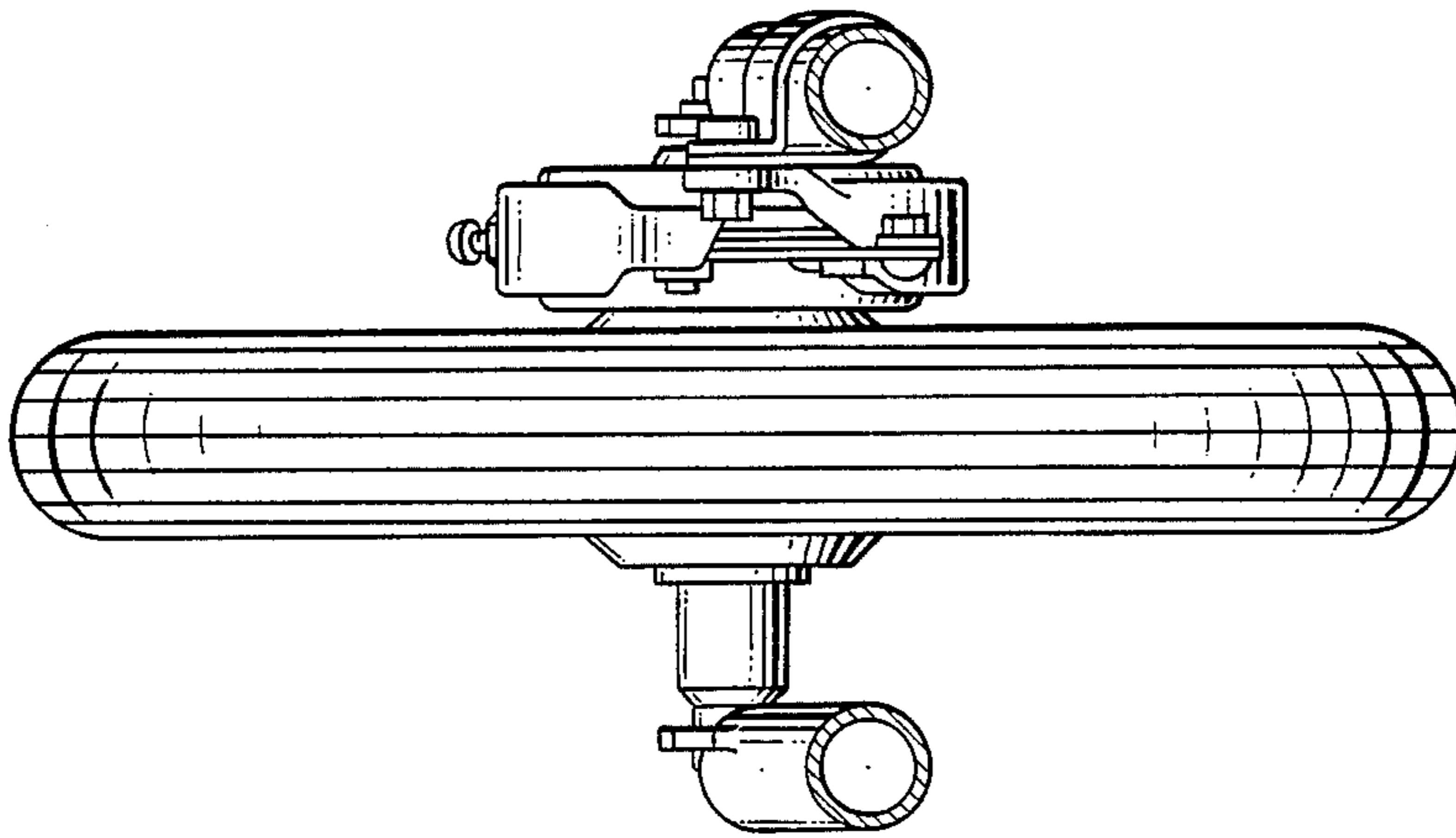


FIG. 5

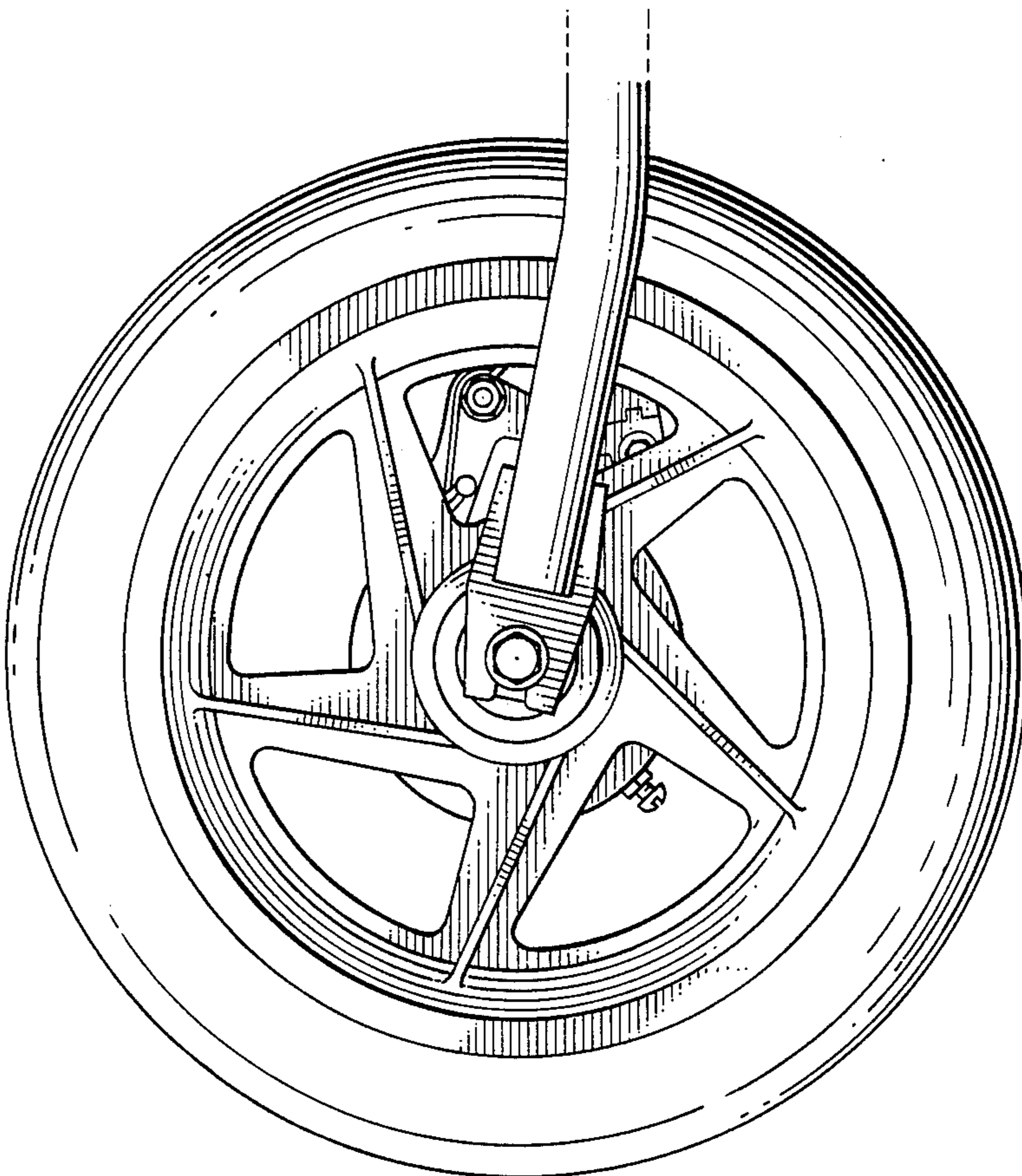


FIG. 8

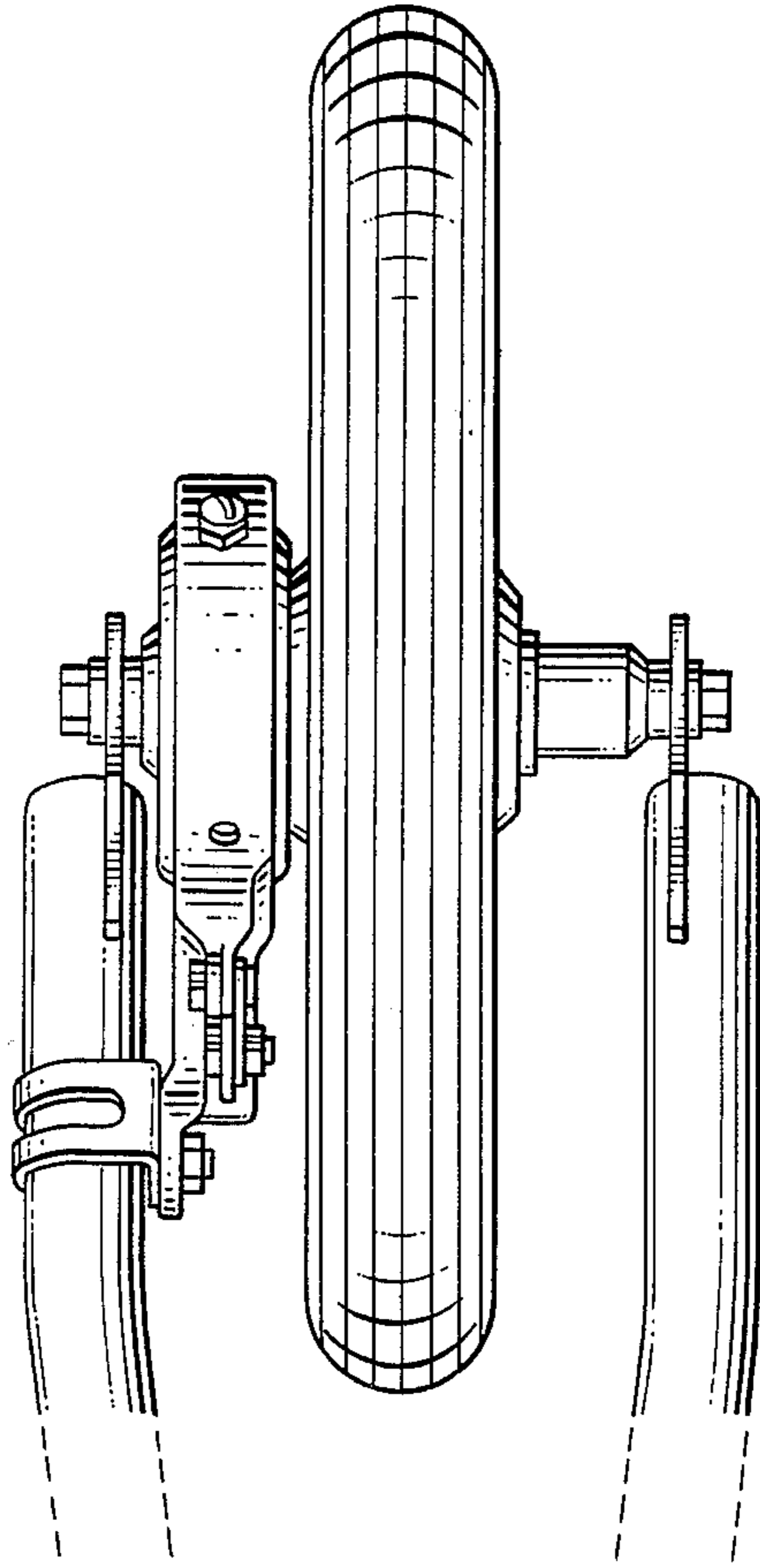


FIG. 7

