

[54] **PUSHER PLATE FOR A BOOKBINDING MACHINE**

[75] **Inventor: Tatsuo Osako, Saitama, Japan**

[73] **Assignee: Kabushiki Kaisha Osako Seisakusho, Saitama, Japan**

[**] **Term: 14 Years**

[21] **Appl. No.: 784,638**

[22] **Filed: Oct. 4, 1985**

[52] **U.S. Cl. D18/34**

[58] **Field of Search D18/14, 18, 22, 34; 281/21 A; 412/20, 38, 43, 900, 902; 198/644**

[56] **References Cited**

U.S. PATENT DOCUMENTS

3,807,547	4/1974	Mueller	198/644
3,879,783	4/1975	Giulie	D18/34 X
4,077,078	3/1978	Snellman et al.	412/900 X
4,270,970	6/1981	Szanto et al.	412/43 X

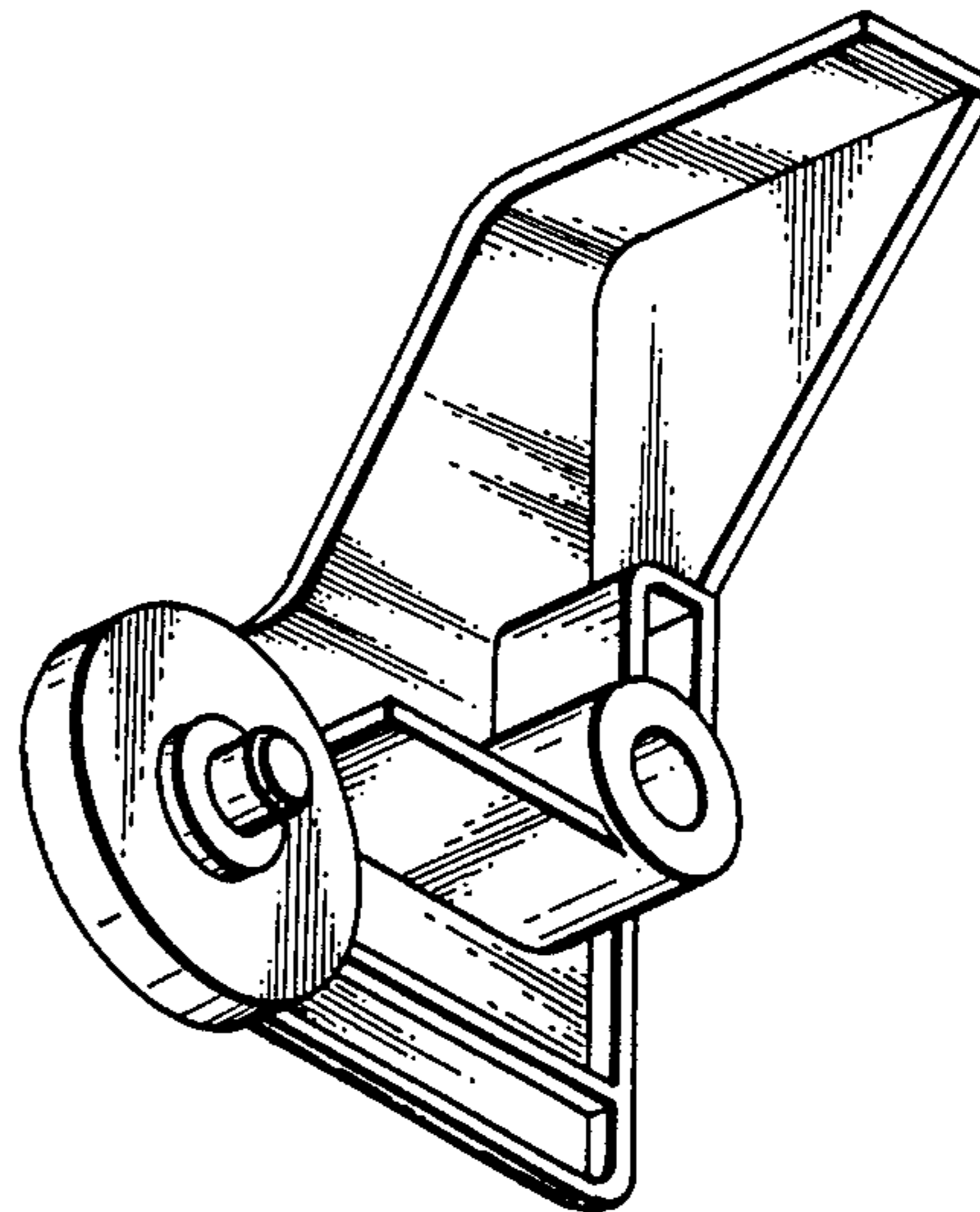
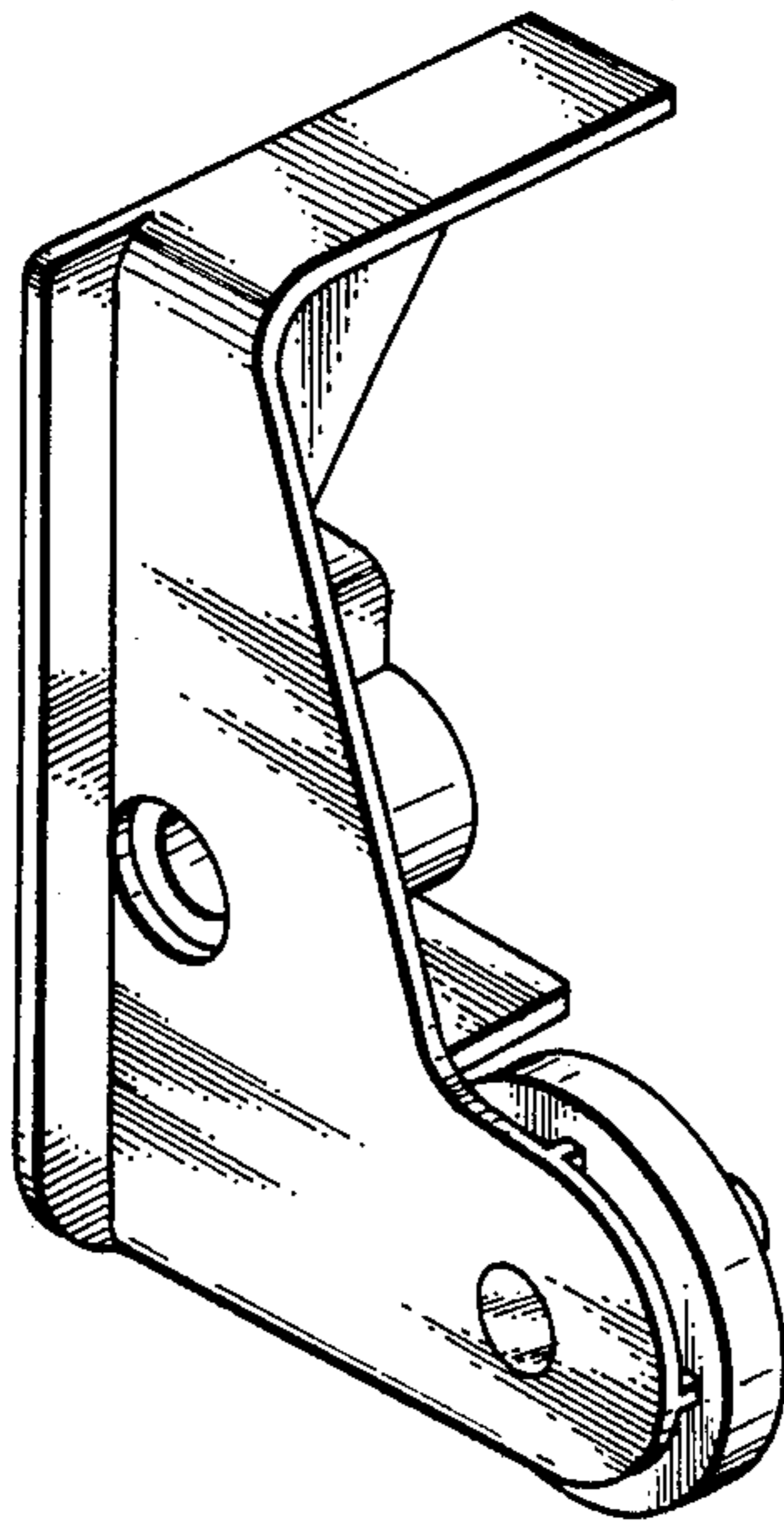
Primary Examiner—Louis S. Zarfes
Attorney, Agent, or Firm—Browdy and Neimark

[57] **CLAIM**

The ornamental design for a pusher plate for a bookbinding machine, as shown.

DESCRIPTION

FIG. 1 is a left perspective view of a pusher plate for a bookbinding machine;
FIG. 2 is a right perspective view thereof;
FIG. 3 is a top, rear perspective view thereof; and
FIG. 4 is a right, bottom perspective view thereof.



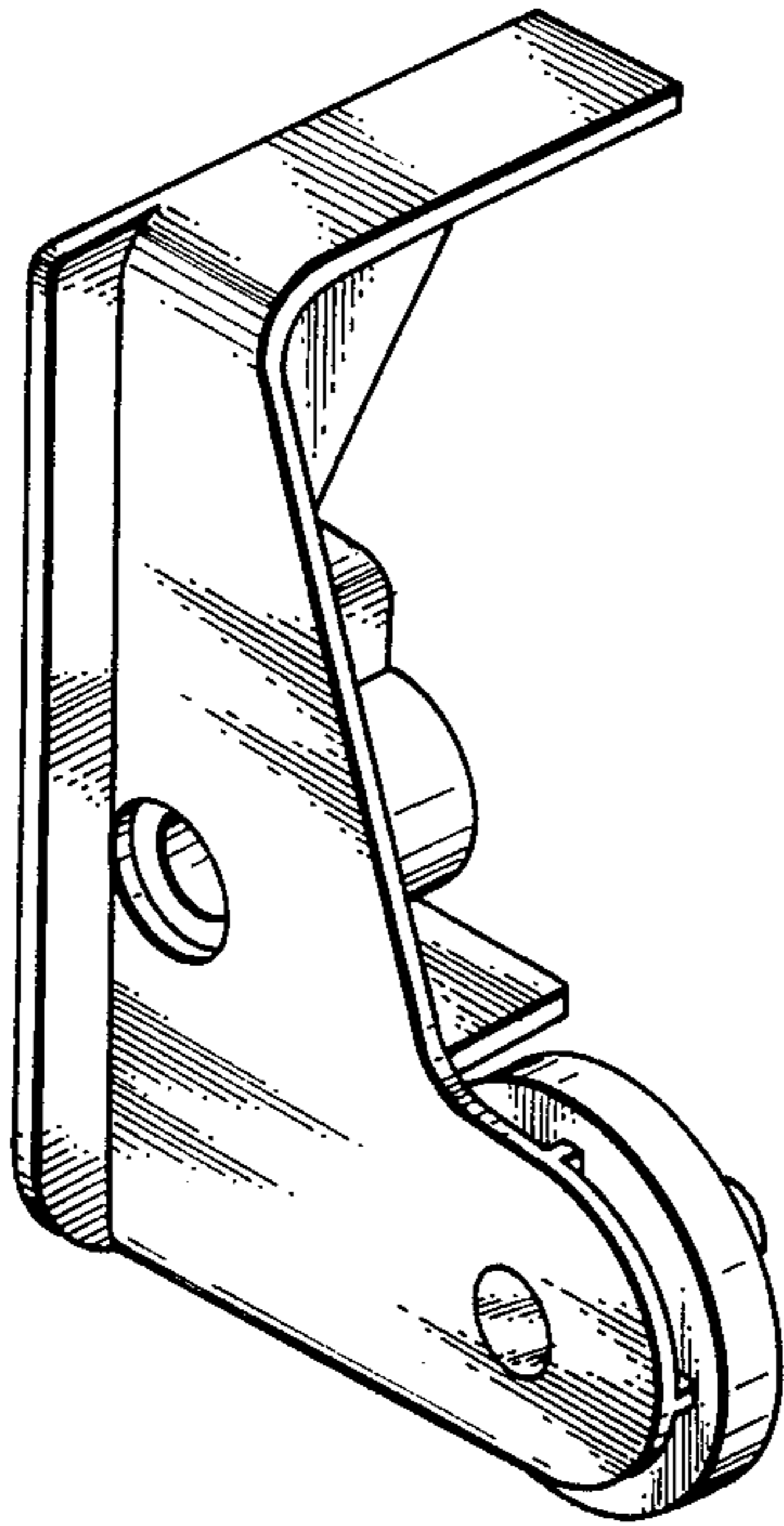


FIG. 1

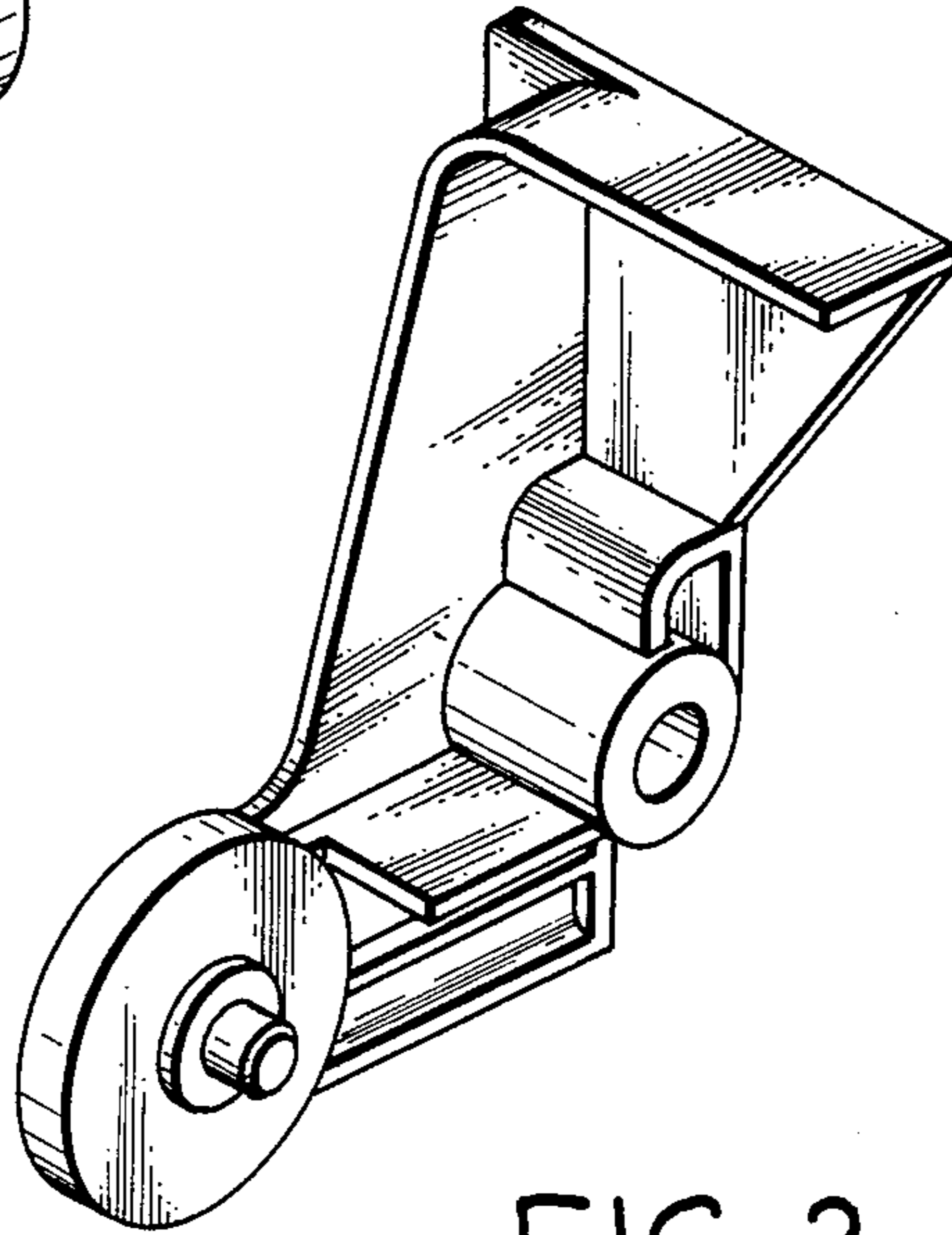


FIG. 2

FIG. 3

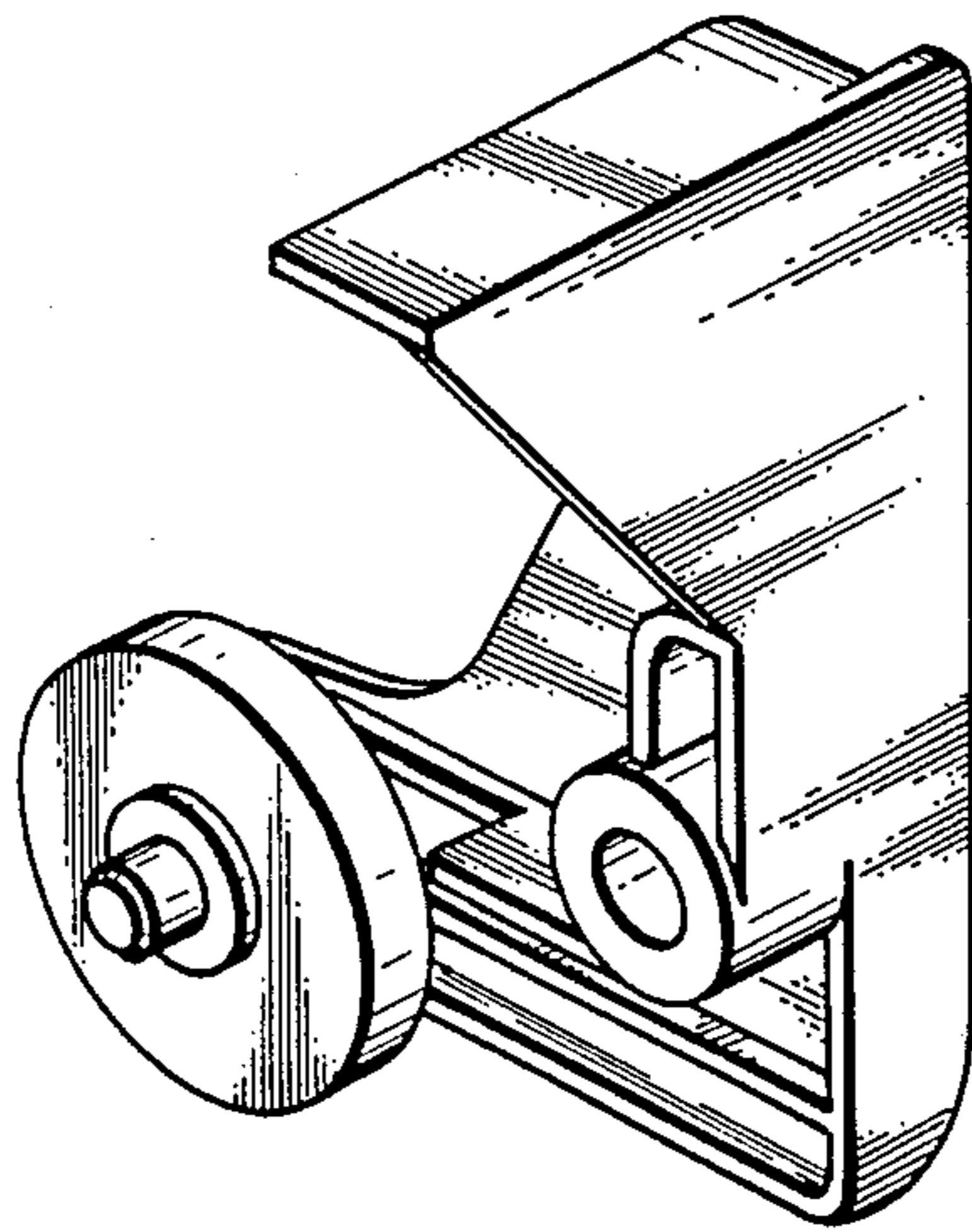


FIG. 4

