

[54] CARTESIAN COORDINATES TYPE ROBOT

[75] Inventors: Katsuji Kagayama, Nara; Benito Mishiro; Ikuo Nishimura, both of Osaka, all of Japan

[73] Assignee: Matsushita Electric Industrial Co., Ltd., Osaka, Japan

[\*\*] Term: 14 Years

[21] Appl. No.: 932,536

[22] Filed: Nov. 19, 1986

[30] Foreign Application Priority Data

Jun. 12, 1986 [JP] Japan ..... 61-22624

[52] U.S. Cl. .... D15/199; D15/122

[58] Field of Search ..... D15/122, 199; 414/749, 414/750; 901/16

[56] References Cited

U.S. PATENT DOCUMENTS

- D. 292,003 9/1987 Imaizumi ..... D15/199
- 4,583,909 4/1986 Yamashita et al. .... 901/16
- 4,701,100 10/1987 Nogai et al. .... 901/16
- 4,721,005 1/1988 Yoshiji et al. .... 414/749

OTHER PUBLICATIONS

Nitto Seiko catalog on a NITOMAN MT type robot.

A catalog of NEC Corporation on its assembly robots under trade designations NR-361B and NR-361D.

A Fuji Electric brochure on its assembly robot under the trade designation GA100B.

A catalog by Star Seiki on its STABOBOI assembly robot.

A catalog by Daikin Corporation on its ROBOTEC C3000SERIES Assembly robot.

Primary Examiner—B. J. Bullock

Assistant Examiner—Dominic Simone

Attorney, Agent, or Firm—Sughrue, Mion, Zinn, Macpeak & Seas

[57] CLAIM

The ornamental design for a cartesian coordinates type robot, as shown.

DESCRIPTION

FIG. 1 is a front, top and right side perspective view of a cartesian coordinates type robot showing our new design;

FIG. 2 is a bottom, rear and right side perspective view thereof;

FIG. 3 is a front elevational view thereof;

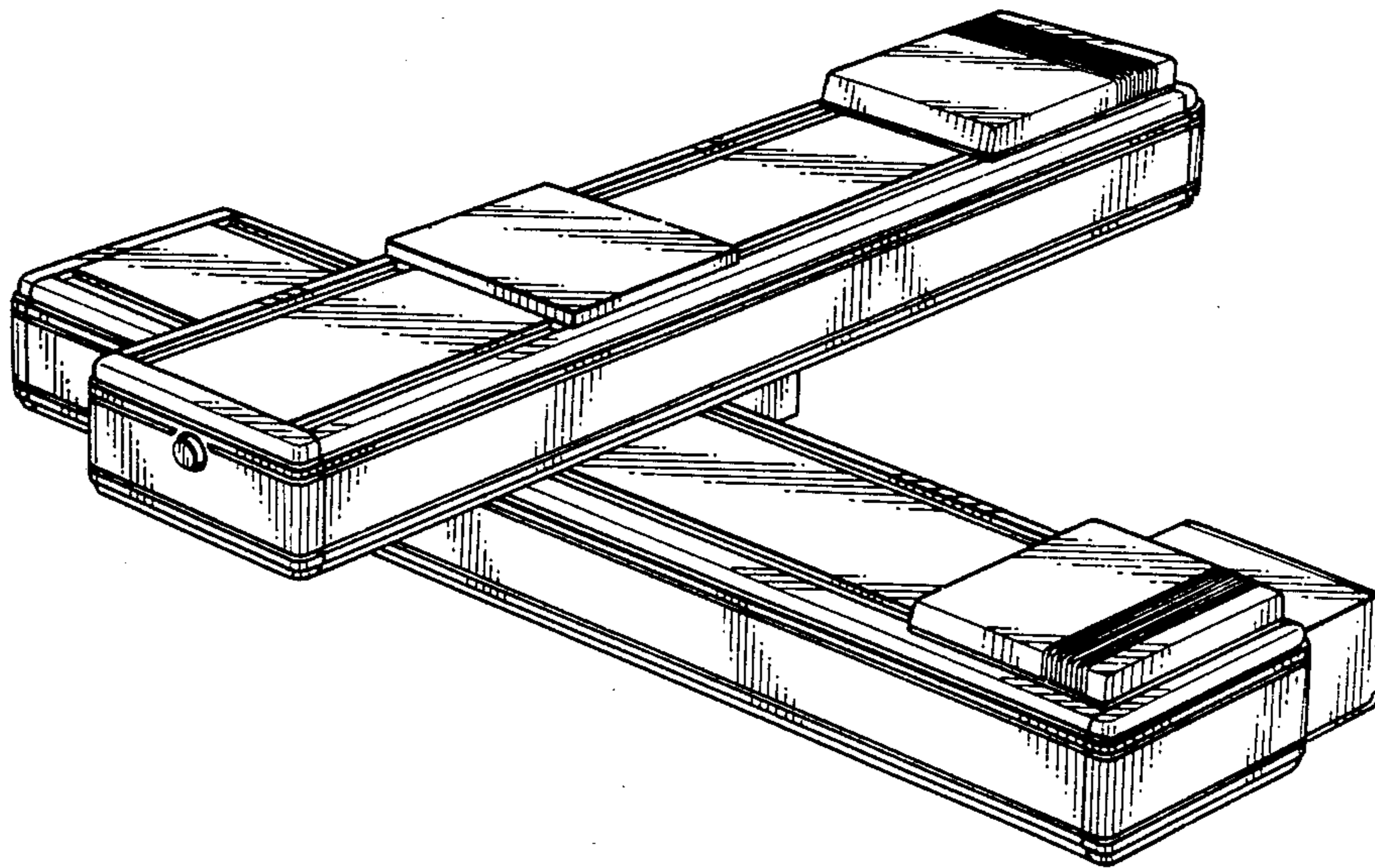
FIG. 4 is a top plan view thereof;

FIG. 5 is a rear elevational view thereof;

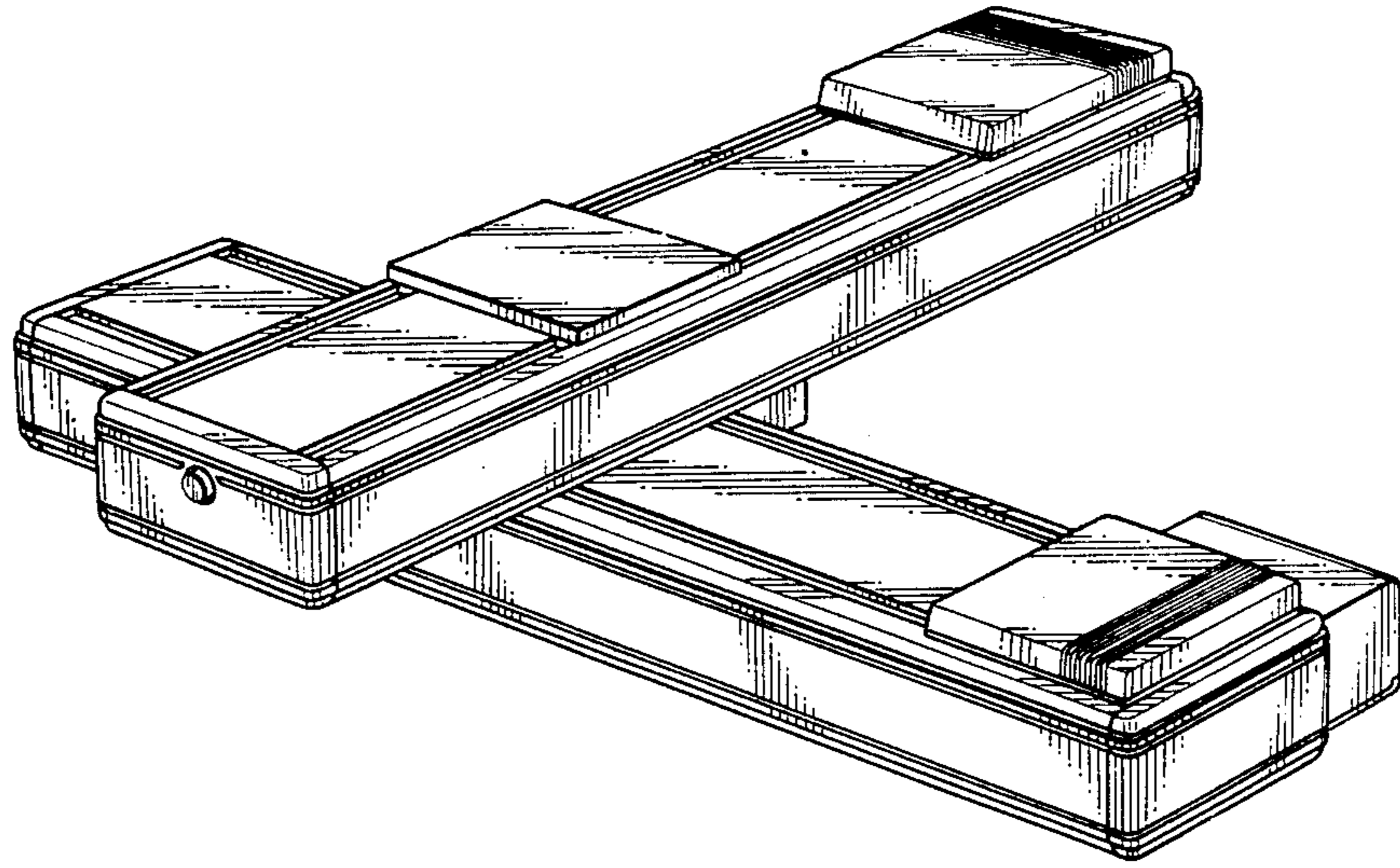
FIG. 6 is a bottom plan view thereof;

FIG. 7 is a right side elevational view thereof; and

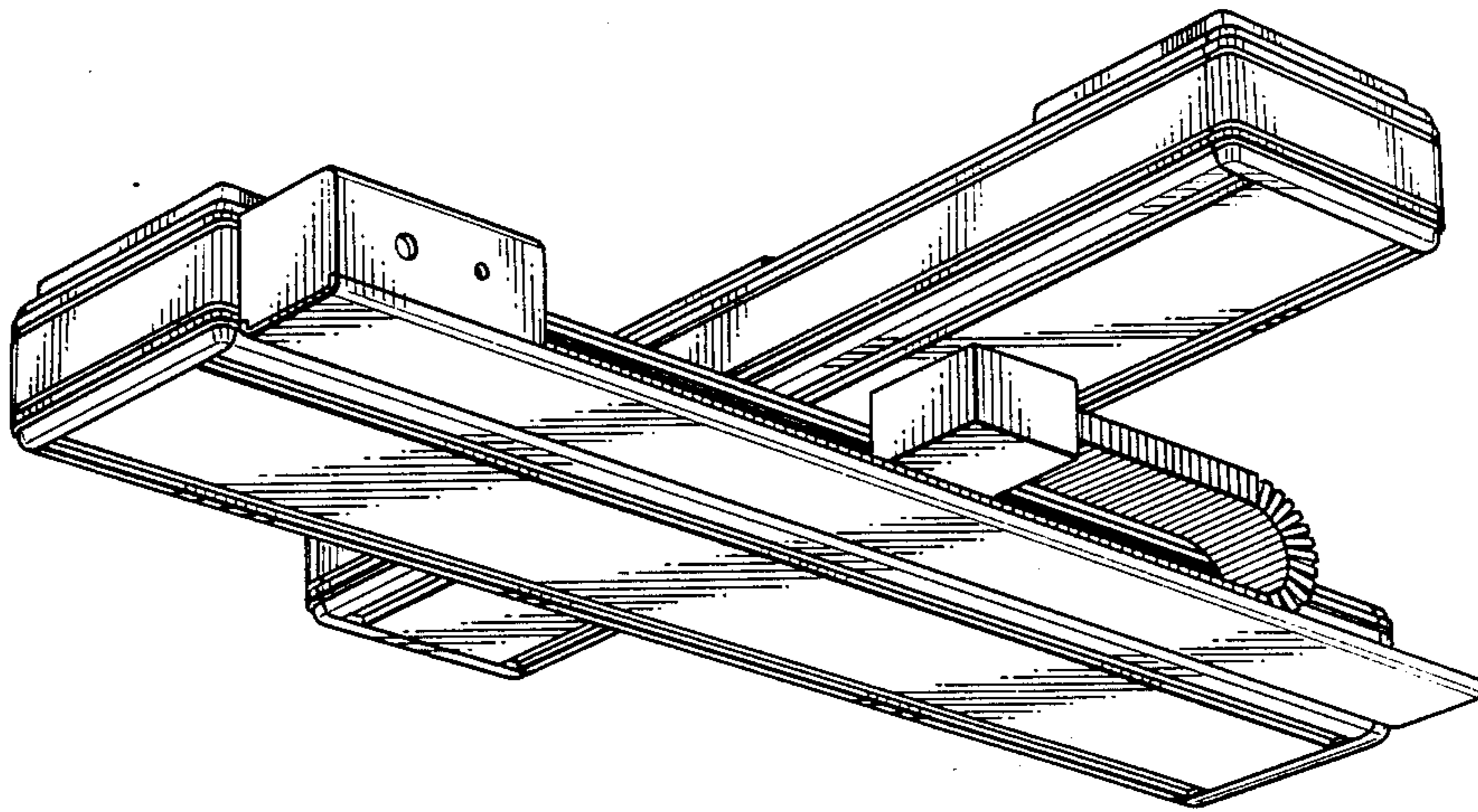
FIG. 8 is a left side elevational view thereof.



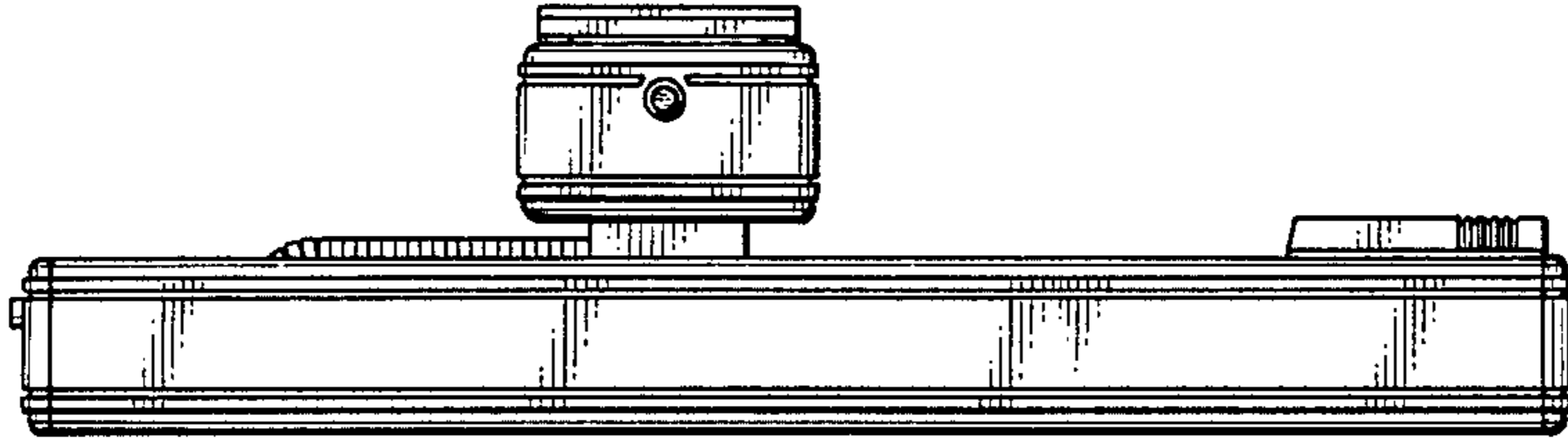
*Fig. 1*



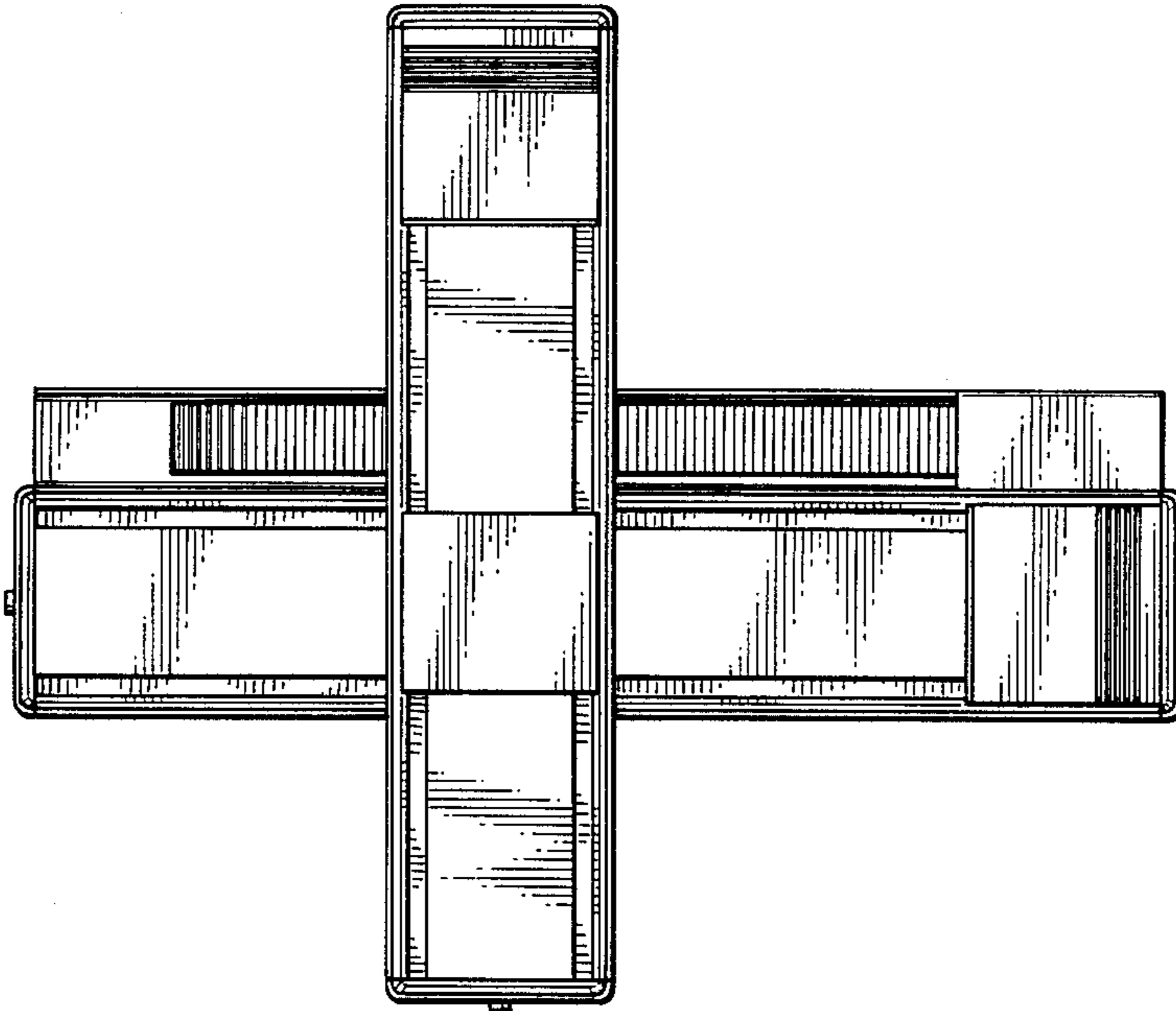
*Fig. 2*



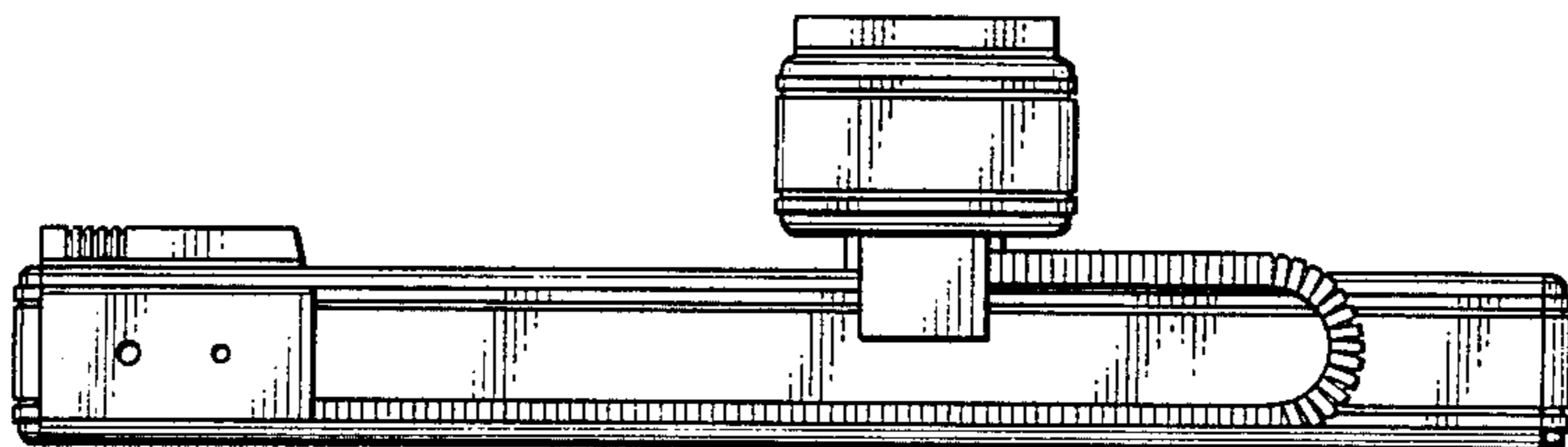
*Fig. 3*



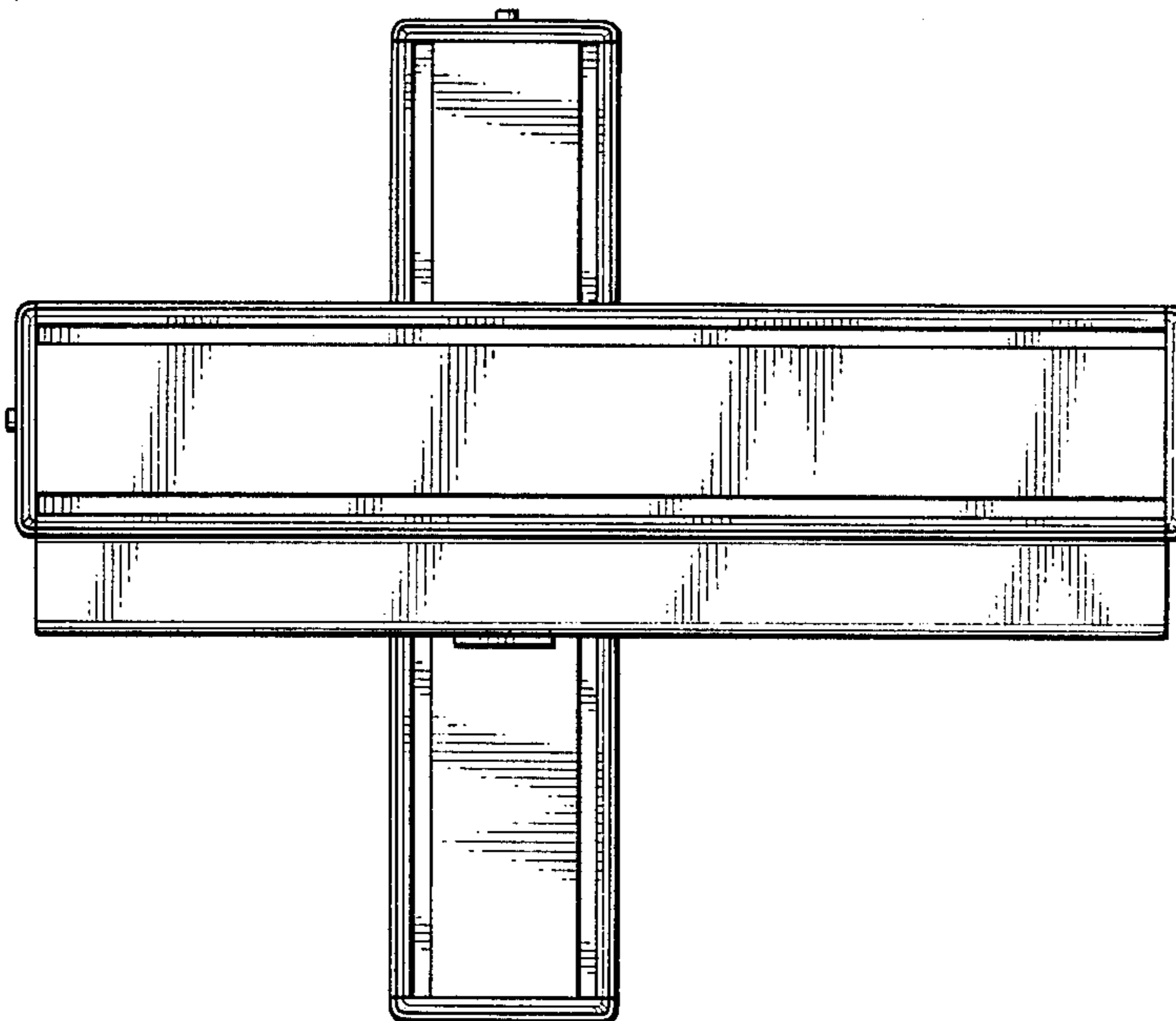
*Fig. 4*



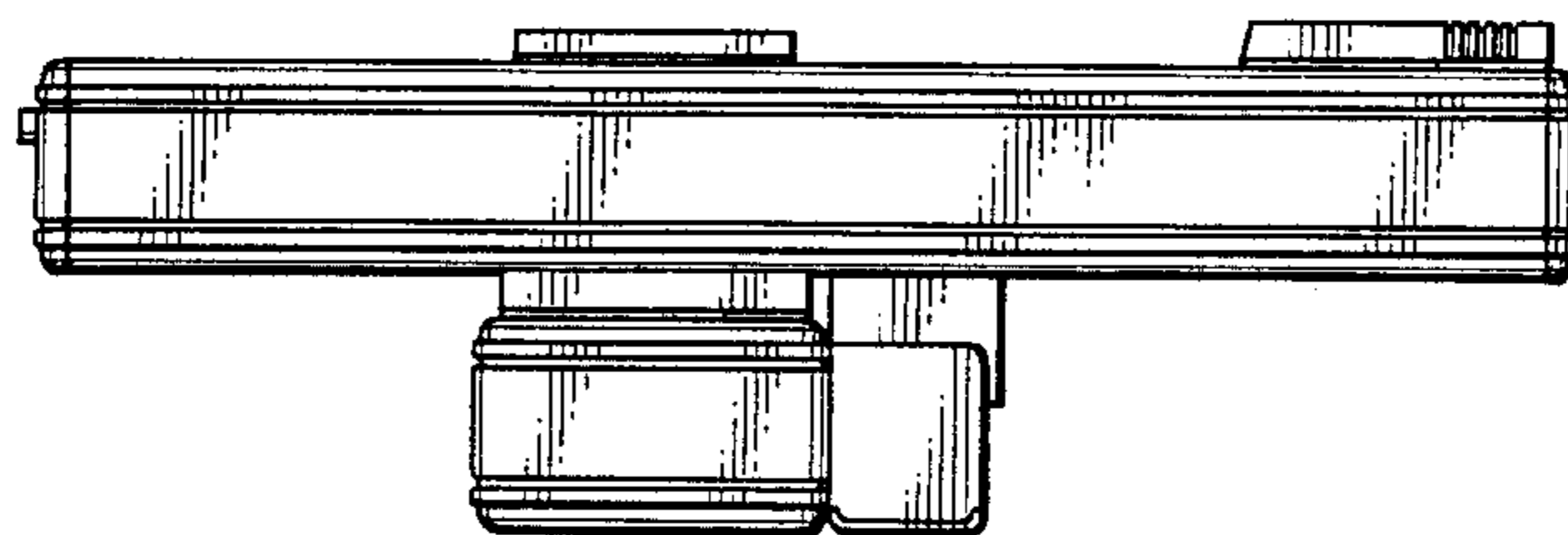
*Fig. 5*



*Fig. 6*



*Fig. 7*



*Fig. 8*

